



US00D705895S

(12) **United States Design Patent**
Lammel et al.

(10) **Patent No.:** **US D705,895 S**

(45) **Date of Patent:** **** May 27, 2014**

(54) **TAP SPRINKLER FOR SINKS**

D491,632 S * 6/2004 Lin D23/223
D577,417 S * 9/2008 Olsson D23/223
D634,812 S * 3/2011 Yoo et al. D23/229

(71) Applicant: **Hansa Metallwerke AG**, Stuttgart (DE)

* cited by examiner

(72) Inventors: **Michael Lammel**, Aachen (DE);
Michael Zeisel, Aachen (DE)

Primary Examiner — Robin V Webster

(73) Assignee: **Hansa Metallwerke AG**, Stuttgart (DE)

(74) *Attorney, Agent, or Firm* — Factor Intellectual Property Law Group, Ltd.

(**) Term: **14 Years**

(57) **CLAIM**

(21) Appl. No.: **29/450,655**

The ornamental design for a tap sprinkler for sinks, as shown and described.

(22) Filed: **Mar. 20, 2013**

DESCRIPTION

(30) **Foreign Application Priority Data**

Sep. 21, 2012 (EM) 002107292-0001

(51) **LOC (10) Cl.** **23-01**

(52) **U.S. Cl.**
USPC **D23/213**

(58) **Field of Classification Search**
USPC D23/213, 223, 229, 230; 239/462, 282,
239/283

See application file for complete search history.

FIG. 1 is a top and left side (when viewed from the front) perspective view of the tap sprinkler for sinks showing a new ornamental design thereof;

FIG. 2 is a left side view (when viewed from the front) of the tap sprinkler for sinks shown in FIG. 1;

FIG. 3 is a right side view (when viewed from the front) of the tap sprinkler for sinks shown in FIG. 1;

FIG. 4 is a front view of the tap sprinkler for sinks shown in FIG. 1;

FIG. 5 is a back view of the tap sprinkler for sinks shown in FIG. 1;

FIG. 6 is a top view of the tap sprinkler for sinks shown in FIG. 1; and,

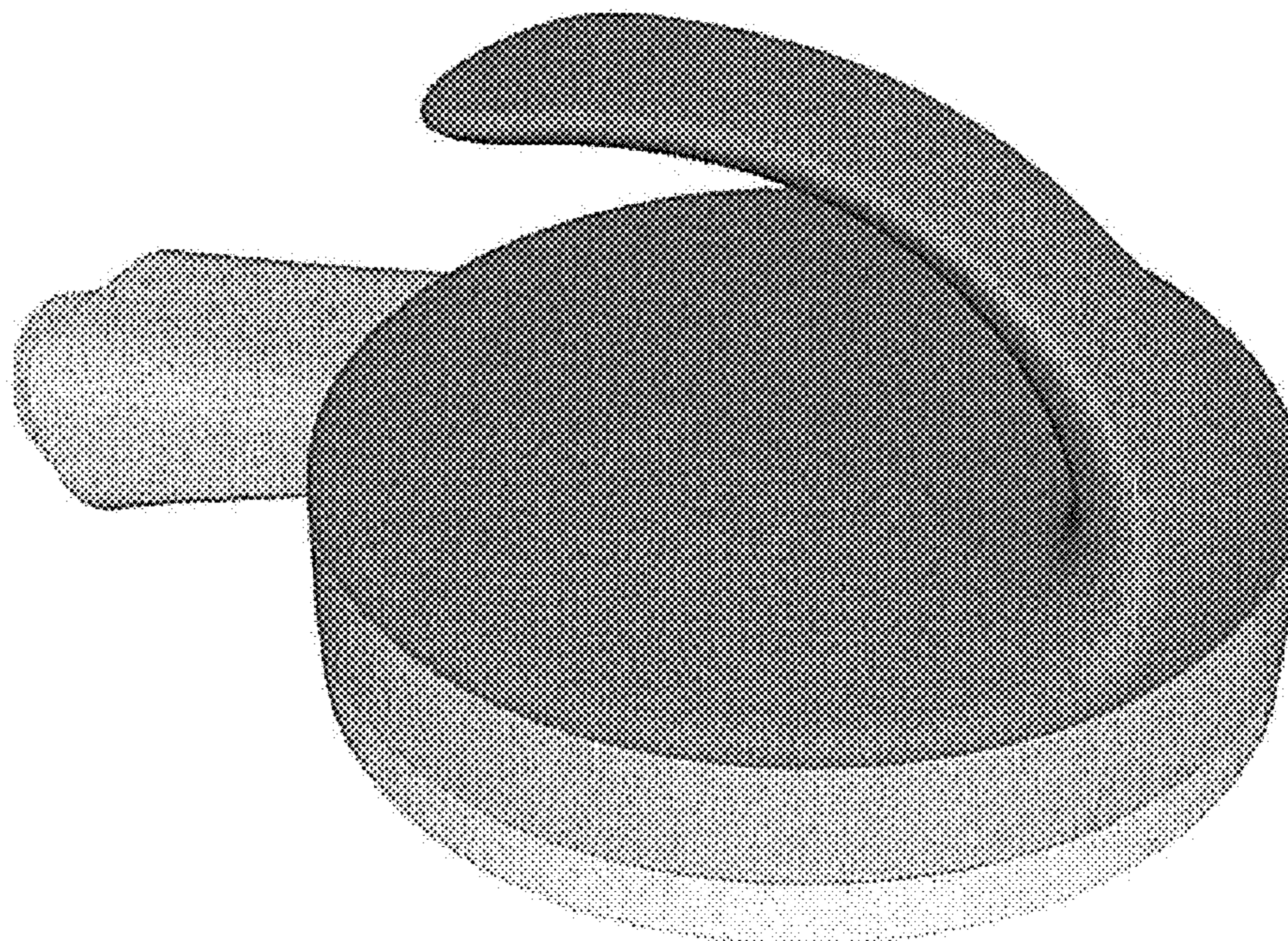
FIG. 7 is a bottom view of the tap sprinkler for sinks shown in FIG. 1.

(56) **References Cited**

U.S. PATENT DOCUMENTS

D489,790 S * 5/2004 Lin D23/223
D490,139 S * 5/2004 Lin D23/223

1 Claim, 7 Drawing Sheets



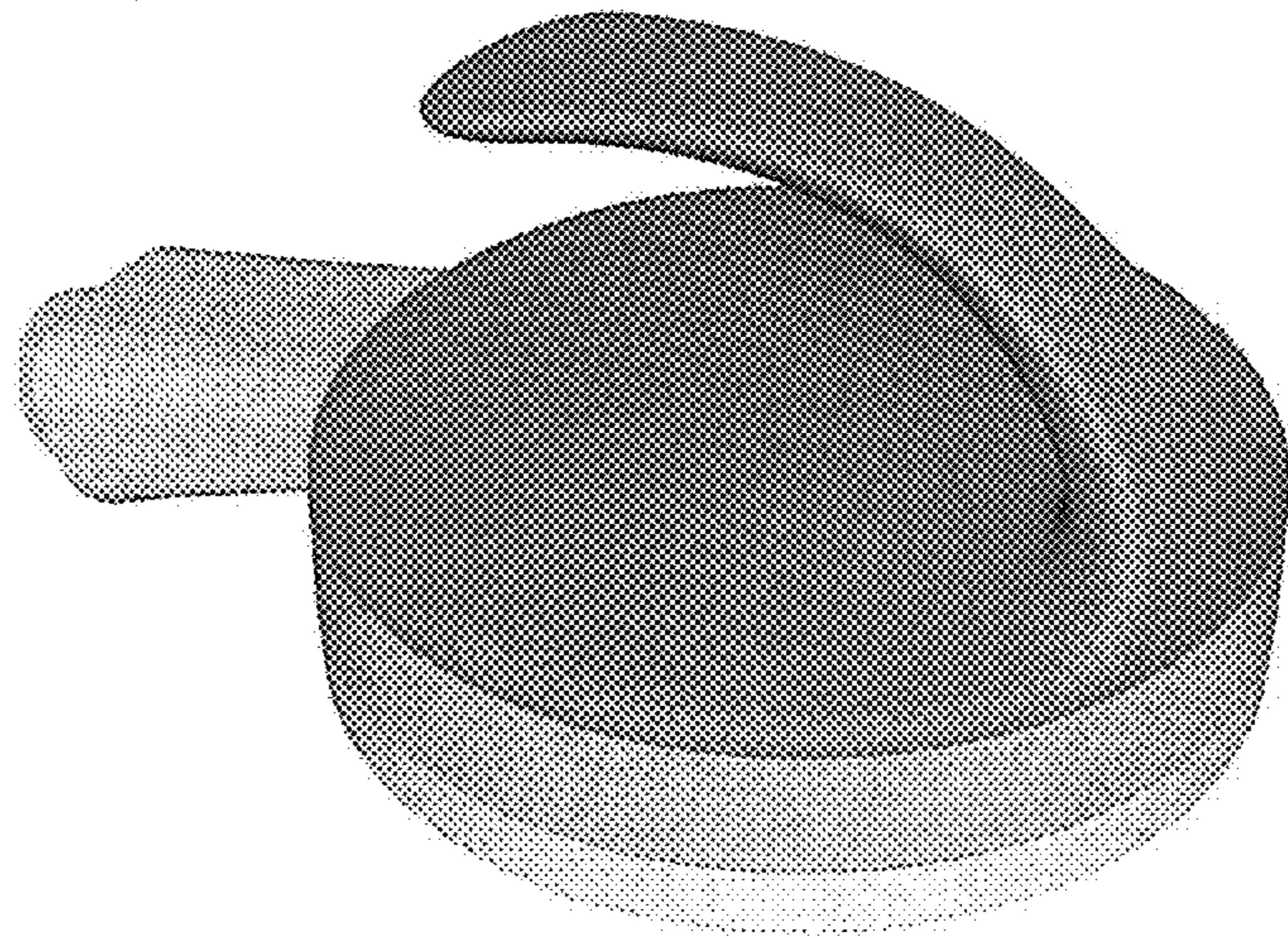


FIG. 1

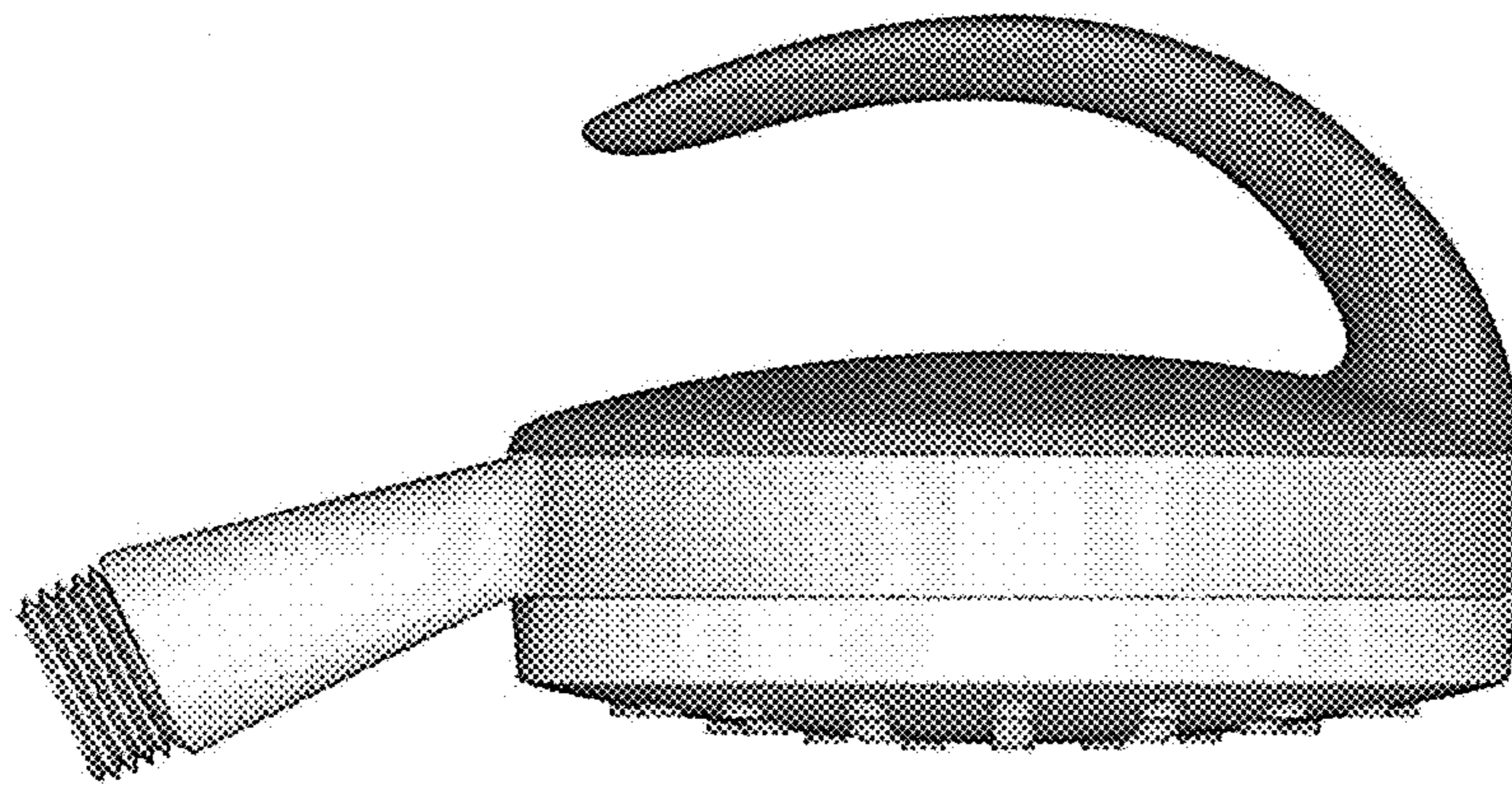


FIG. 2

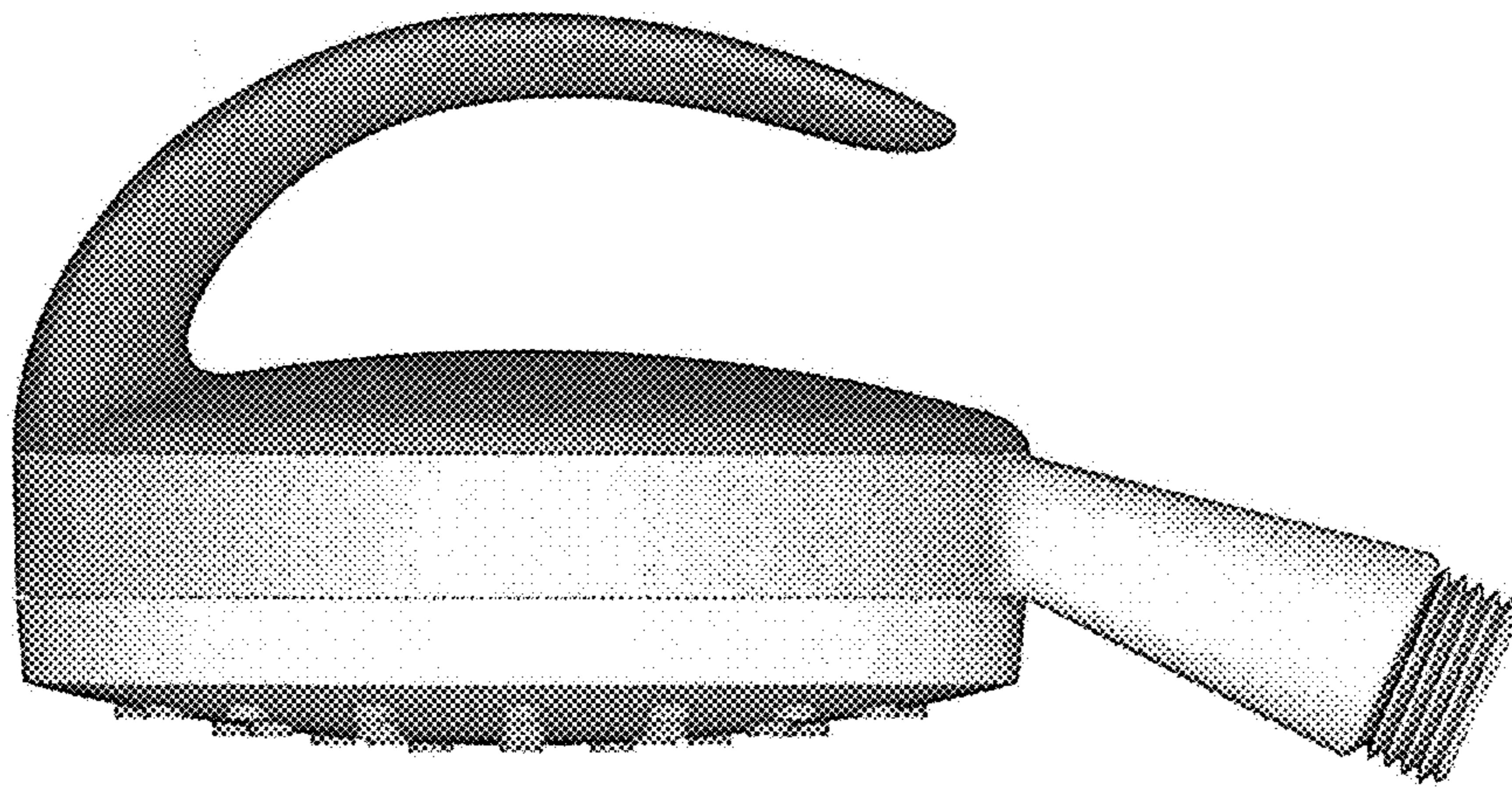


FIG. 3

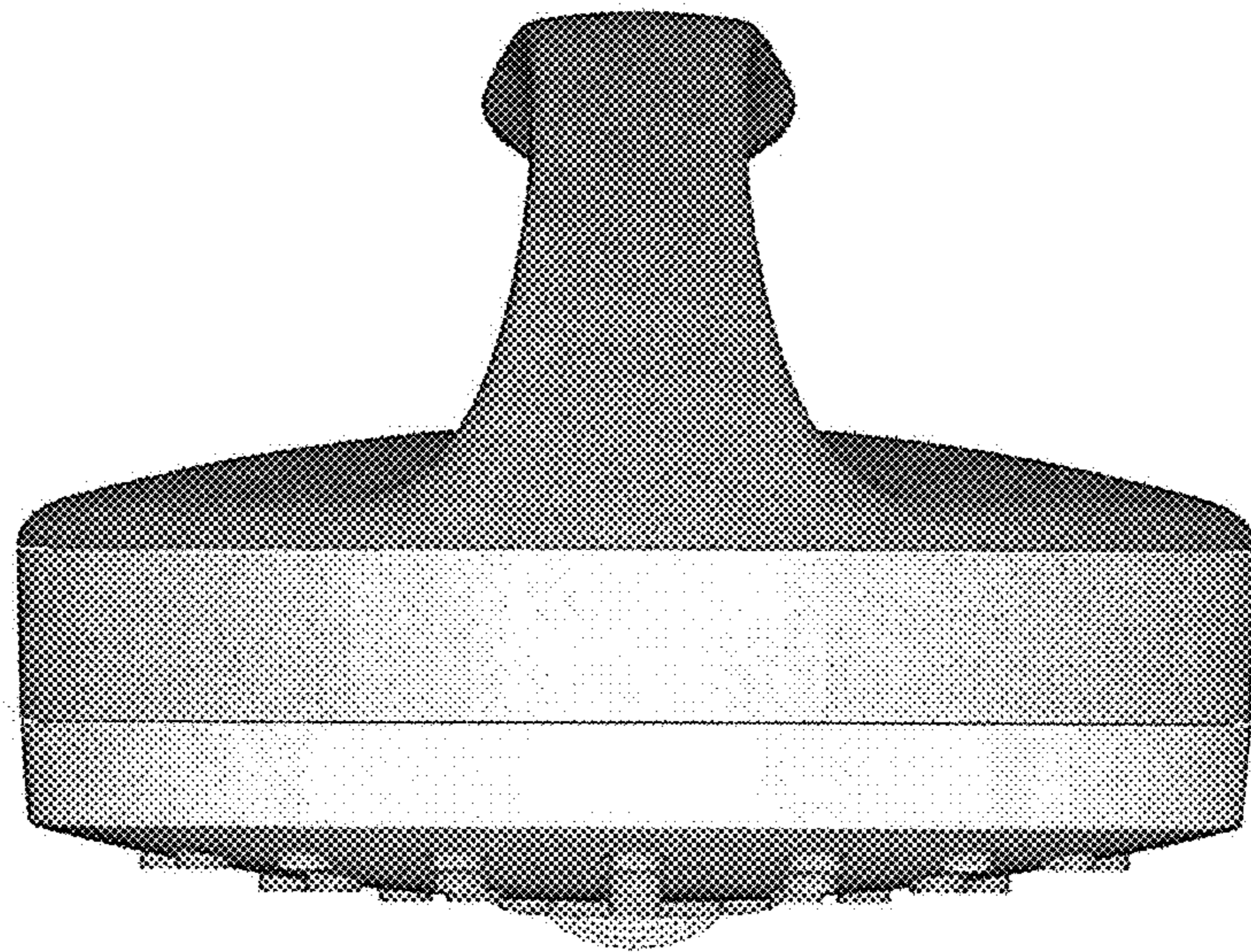


FIG. 4

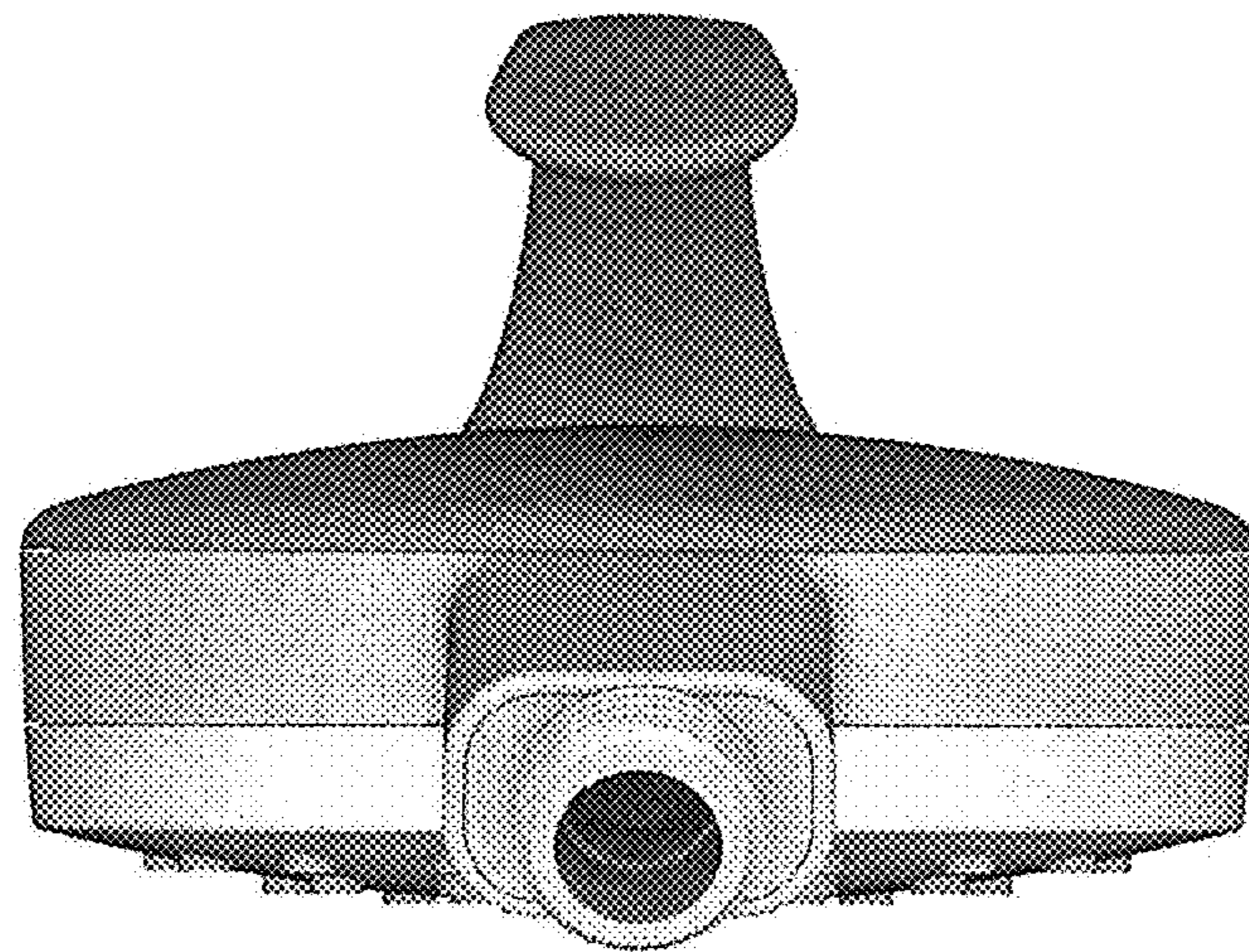


FIG. 5

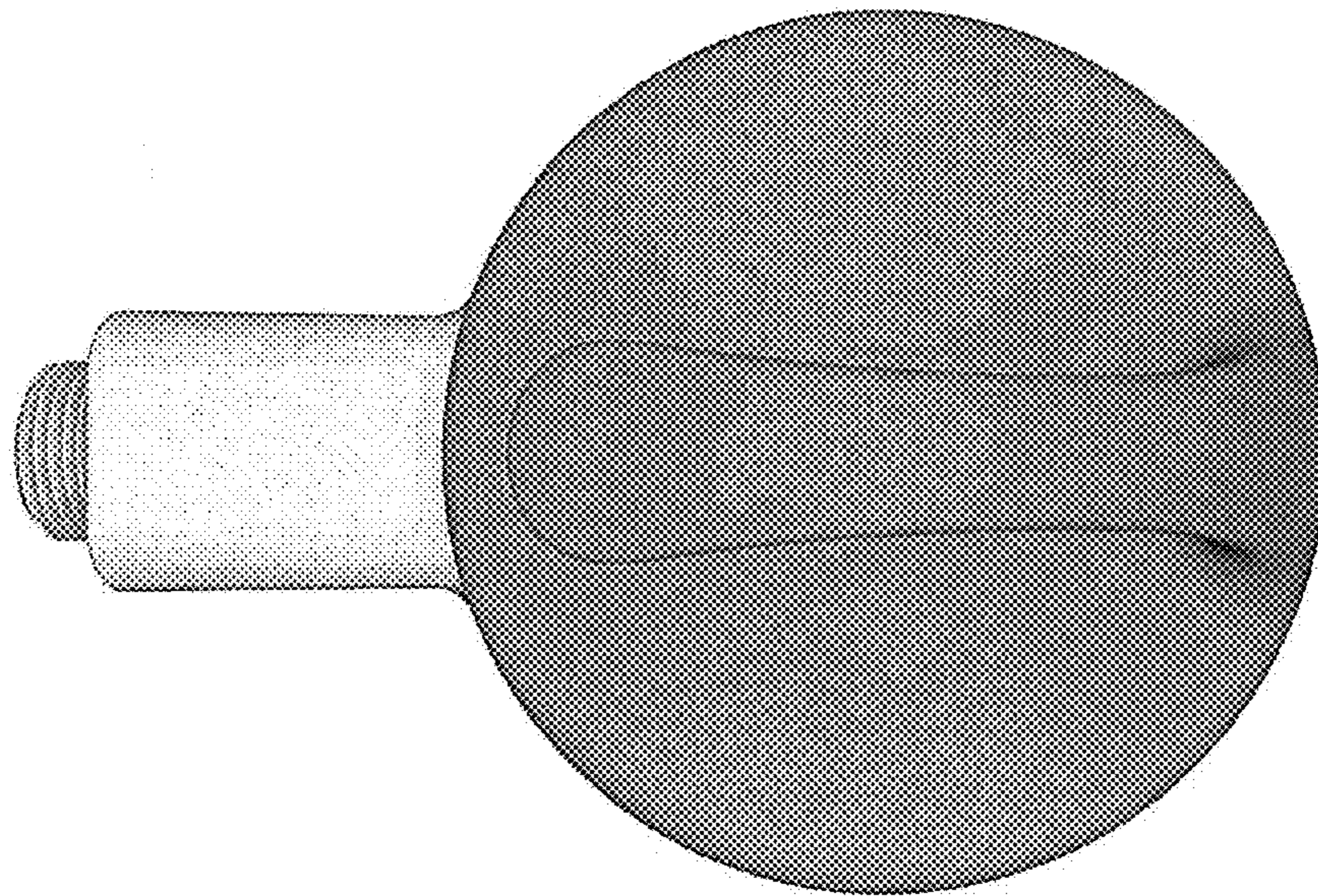


FIG. 6

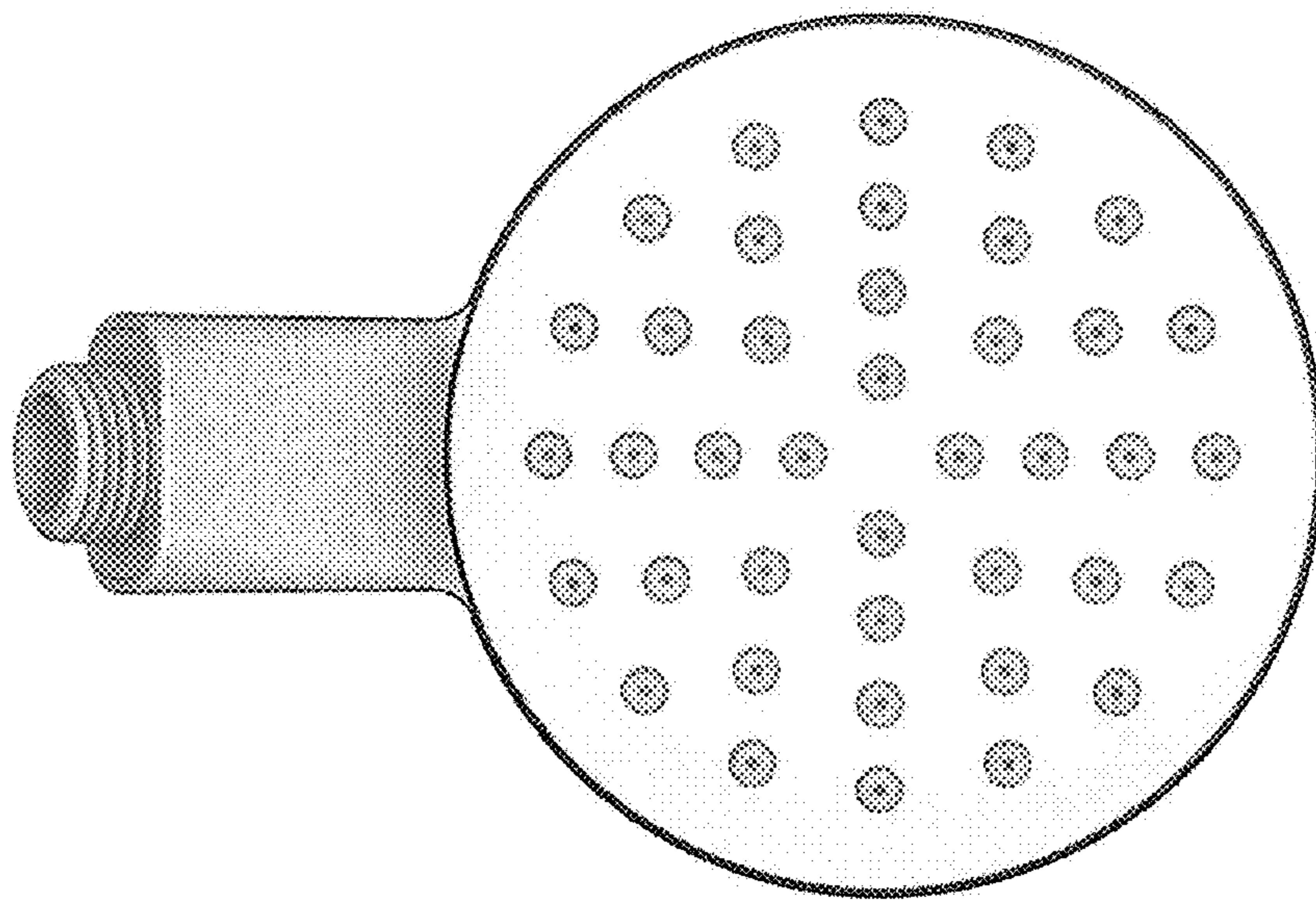


FIG. 7