



US00D705894S

(12) **United States Design Patent**
Williams et al.

(10) **Patent No.:** **US D705,894 S**
(45) **Date of Patent:** **** May 27, 2014**

(54) **FLUID APPLICATOR**

(71) Applicants: **Craig A. Williams**, Maumee, OH (US);
Bradley Alan Spraw, Maumee, OH
(US)

(72) Inventors: **Craig A. Williams**, Maumee, OH (US);
Bradley Alan Spraw, Maumee, OH
(US)

(73) Assignee: **Designetics, Inc.**, Holland, OH (US)

(**) Term: **14 Years**

(21) Appl. No.: **29/448,351**

(22) Filed: **Mar. 12, 2013**

(51) **LOC (10) Cl.** **23-01**

(52) **U.S. Cl.**
USPC **D23/213**

(58) **Field of Classification Search**
USPC D23/213; D9/723, 724; 239/589, 597,
239/601; 401/55, 266, 205, 206; 118/264
See application file for complete search history.

(56) **References Cited**

U.S. PATENT DOCUMENTS

D218,824	S	*	9/1970	Lawrence et al.	D23/213
D277,403	S	*	1/1985	Wilson	D23/213
6,394,369	B2	*	5/2002	Goenka et al.	239/601
D532,863	S	*	11/2006	Mather et al.	D23/213
D568,439	S	*	5/2008	Fulkerson et al.	D23/213
D569,477	S	*	5/2008	Fulkerson et al.	D23/213

* cited by examiner

Primary Examiner — Robin V Webster

(74) *Attorney, Agent, or Firm* — Donald K. Wedding

(57) **CLAIM**

The ornamental design for a fluid applicator, as shown and described.

DESCRIPTION

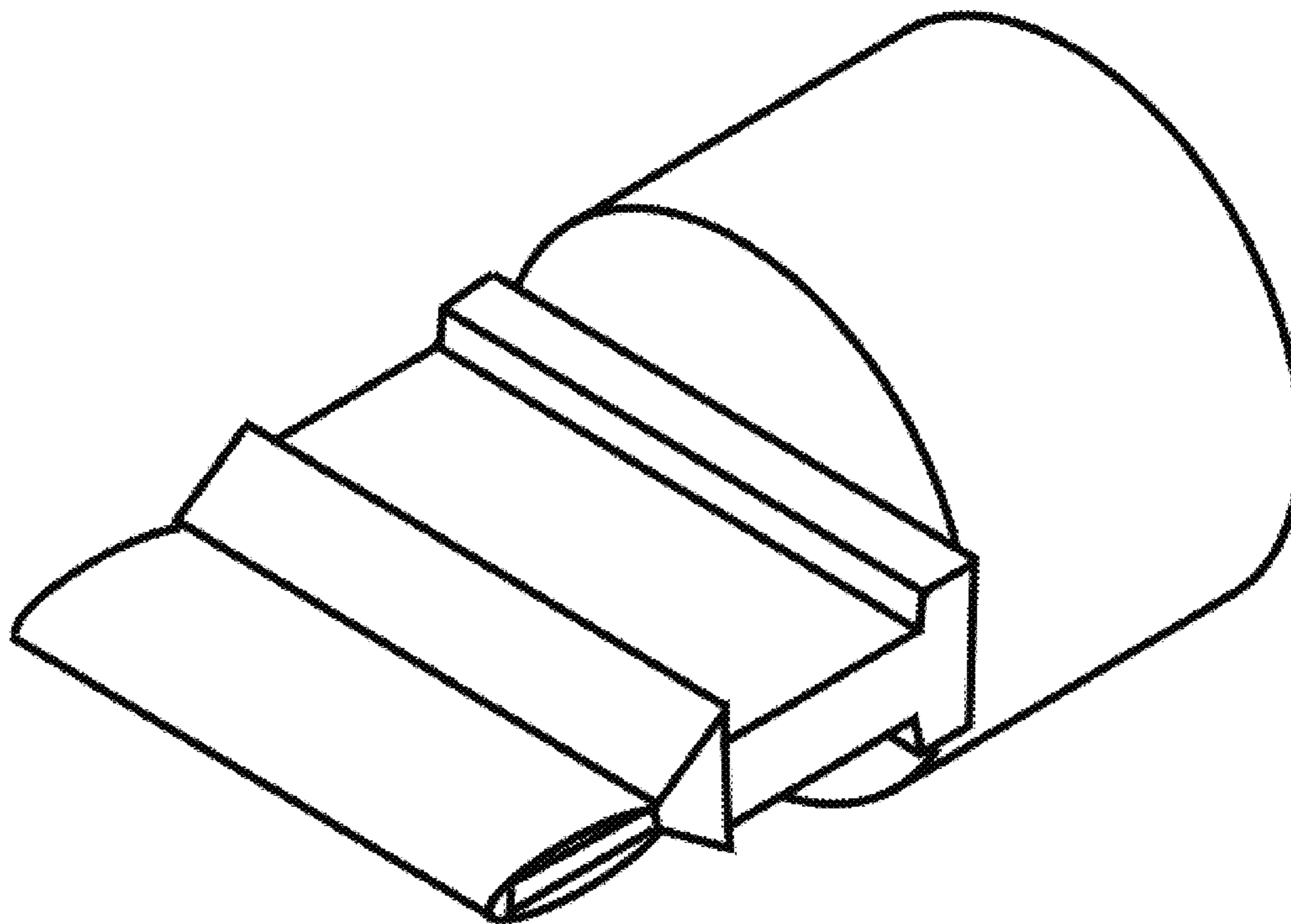
FIG. 1 is a perspective view of our ornamental design for a fluid applicator.

FIG. 2 is a side view of our design shown in FIG. 1.

FIG. 3 is a top view of our design shown in FIG. 1.

FIG. 4 is a bottom view of our design shown in FIG. 1; and, FIG. 5 is an alternate side view of our design shown in FIG. 1.

1 Claim, 1 Drawing Sheet



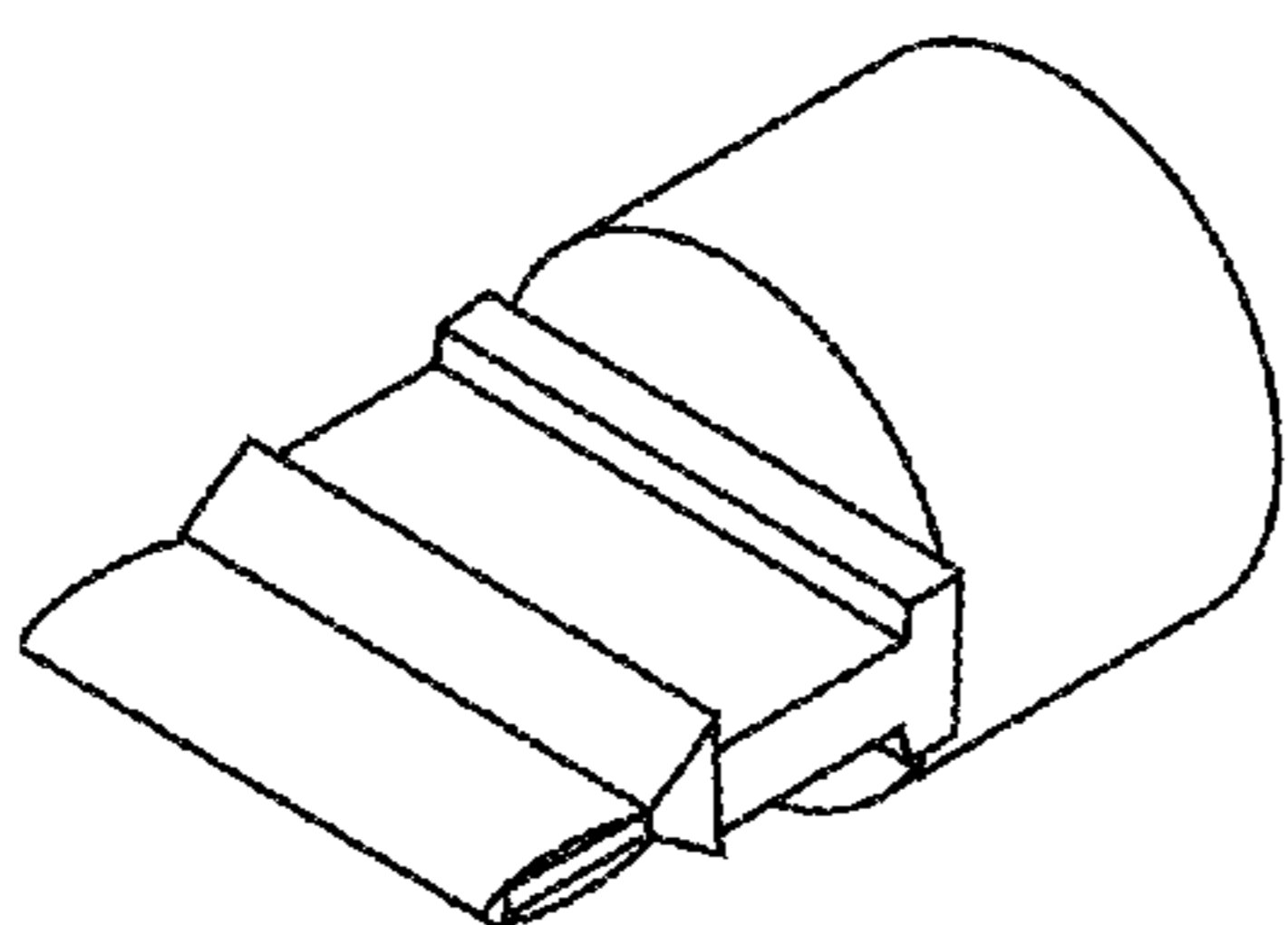


FIG. 1

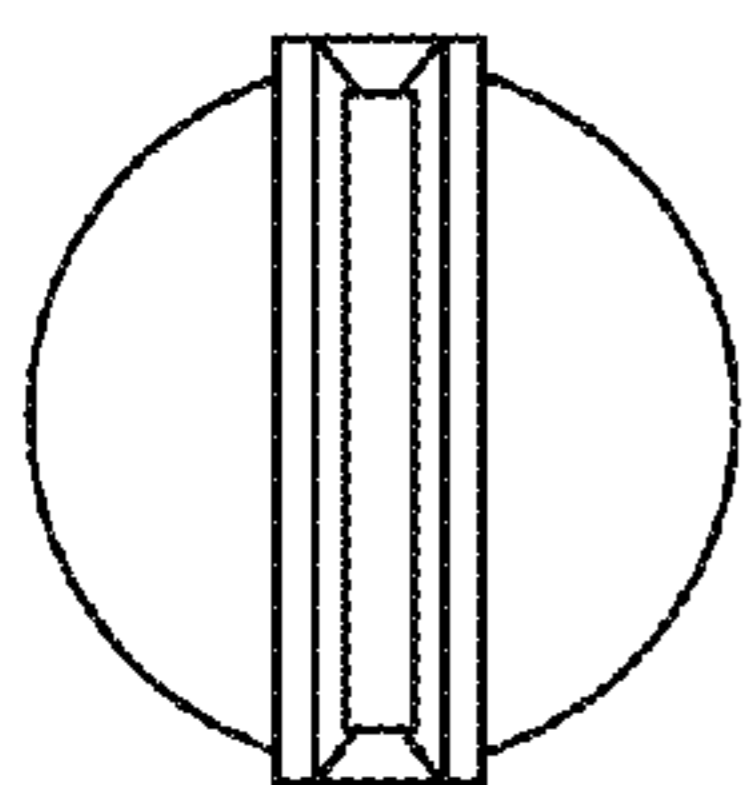


FIG. 3

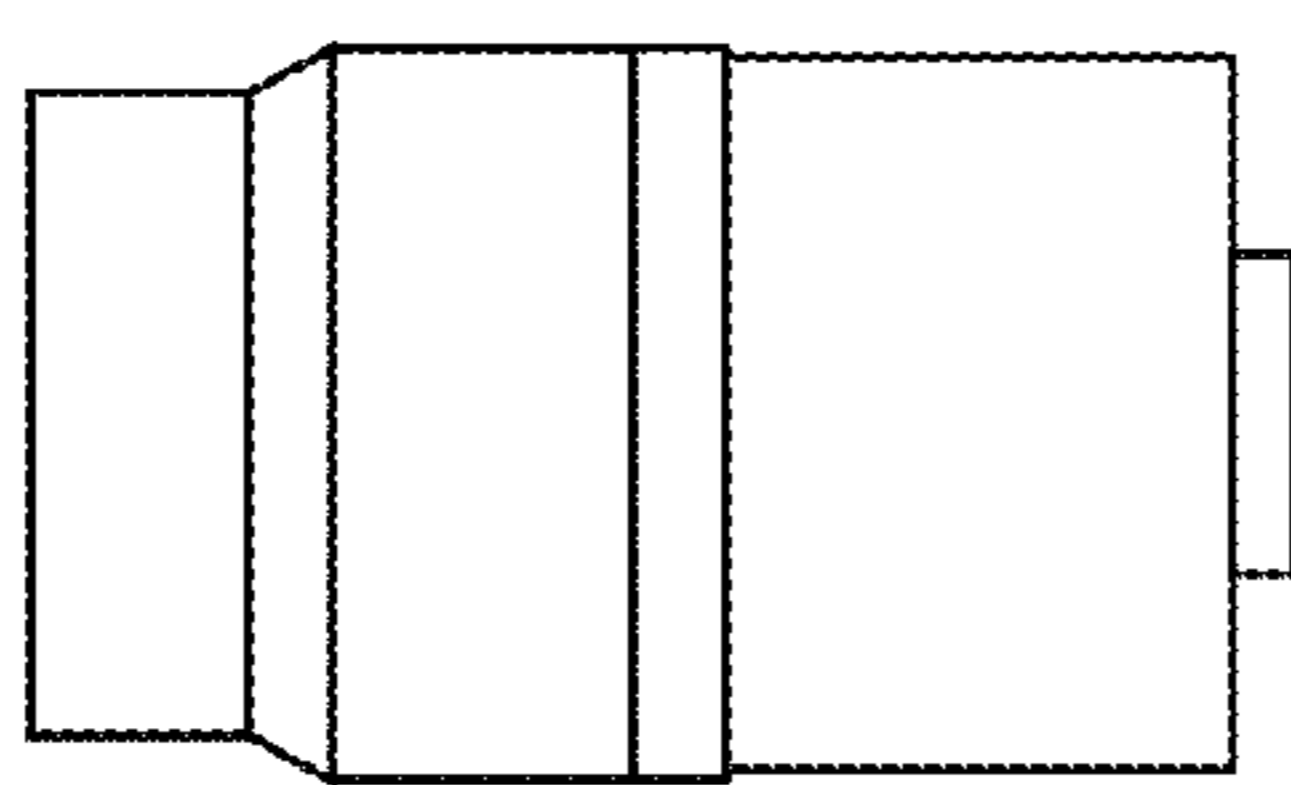


FIG. 2

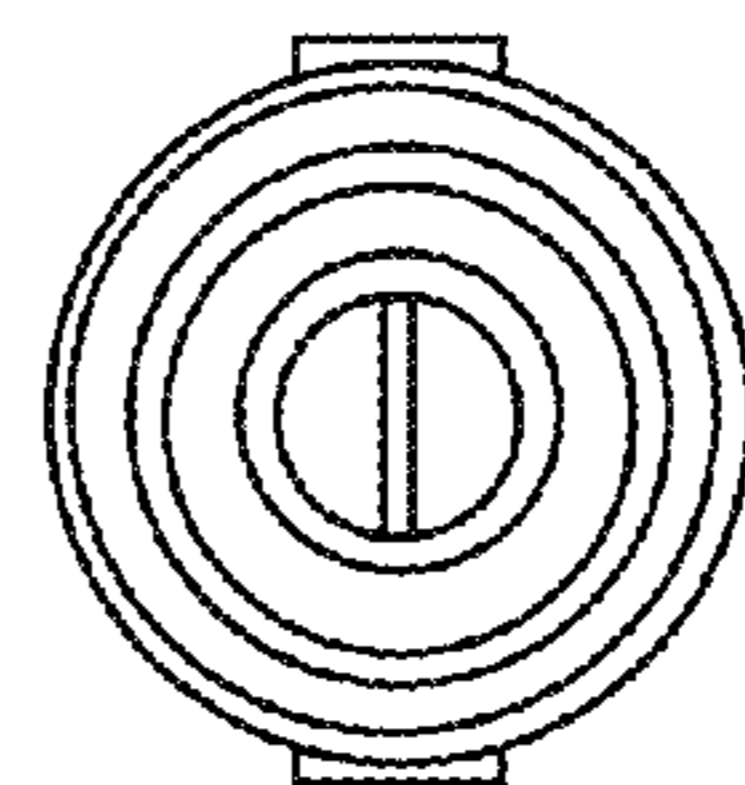


FIG. 4

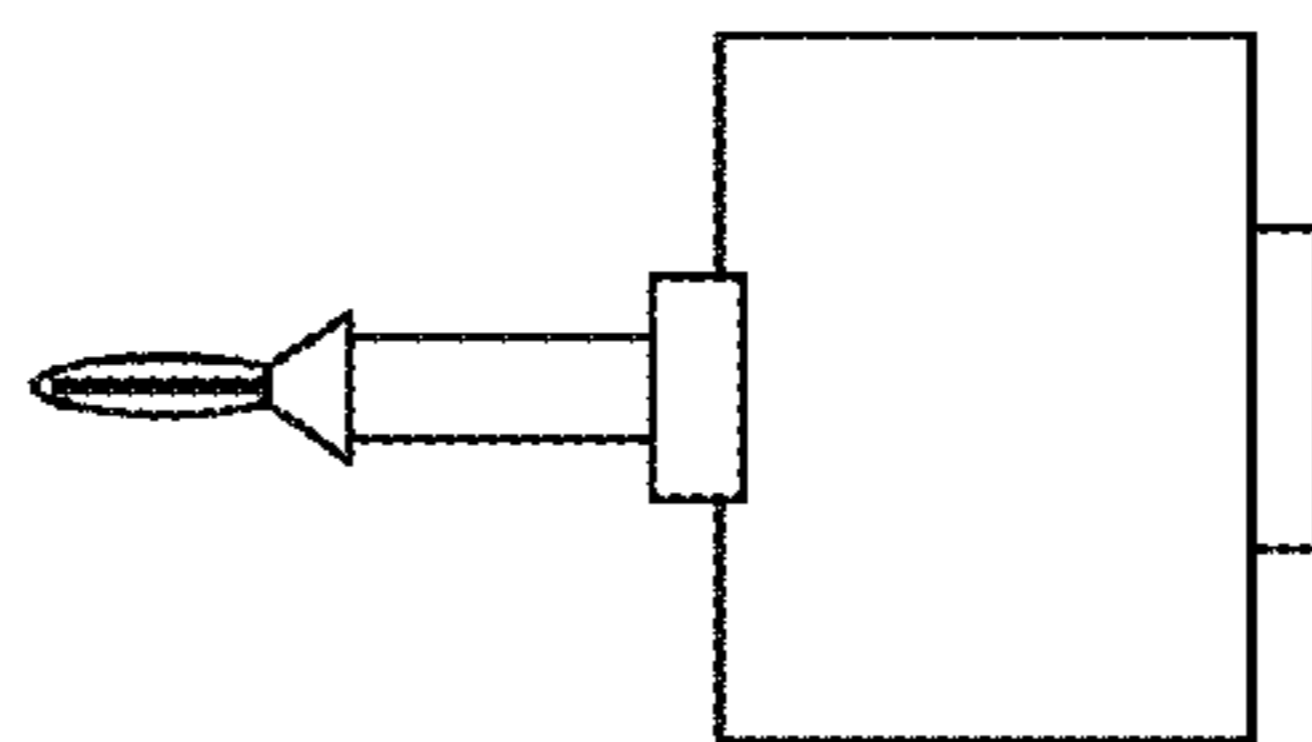


FIG. 5