



US00D705893S

(12) **United States Design Patent**
Williams et al.

(10) **Patent No.:** **US D705,893 S**
(45) **Date of Patent:** **** May 27, 2014**

(54) **FLUID APPLICATOR**

(71) Applicants: **Craig A. Williams**, Maumee, OH (US);
Bradley Alan Spraw, Maumee, OH
(US)

(72) Inventors: **Craig A. Williams**, Maumee, OH (US);
Bradley Alan Spraw, Maumee, OH
(US)

(73) Assignee: **Designetics, Inc.**, Holland, OH (US)

(**) Term: **14 Years**

(21) Appl. No.: **29/447,982**

(22) Filed: **Mar. 8, 2013**

(51) **LOC (10) Cl.** **23-01**

(52) **U.S. Cl.**
USPC **D23/213**

(58) **Field of Classification Search**
USPC D23/213; D9/723, 724; 239/589, 597,
239/601; 401/55, 266, 205, 206; 118/264
See application file for complete search history.

(56) **References Cited**

U.S. PATENT DOCUMENTS

D93,865 S * 11/1934 Czarnecki D23/213
D438,933 S * 3/2001 Sundholm D23/213

D466,183 S * 11/2002 Tse D23/213
D531,260 S * 10/2006 Luo et al. D23/213
D565,697 S * 4/2008 Thiel et al. D23/213
D568,439 S * 5/2008 Fulkerson et al. D23/213
D639,903 S * 6/2011 Plotzitzka et al. D23/213
D669,961 S * 10/2012 Sanwald D23/213
D670,356 S * 11/2012 Sanwald D23/213

* cited by examiner

Primary Examiner — Robin V Webster

(74) *Attorney, Agent, or Firm* — Donald K. Wedding

(57) **CLAIM**

The ornamental design for a fluid applicator, as shown and described.

DESCRIPTION

FIG. 1 is a perspective view of our ornamental design for a fluid applicator.

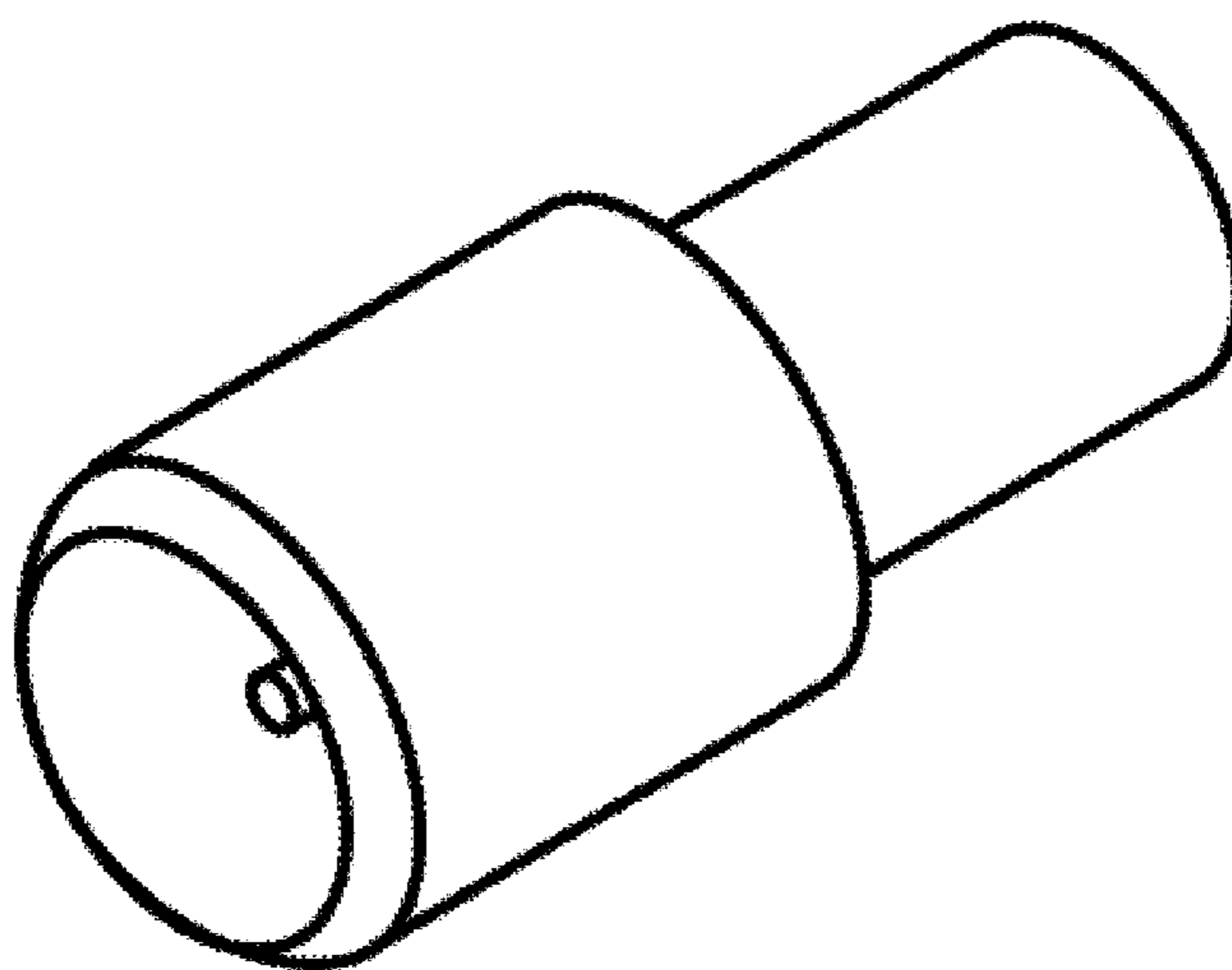
FIG. 2 is a top view of our design shown in FIG. 1.

FIG. 3 is a right plan view of our design shown in FIG. 1, all plan views including the left plan view being identical to the right plan view.

FIG. 4 is a section 4-4 view of our design shown in FIG. 1; and,

FIG. 5 is a bottom view of our design shown in FIG. 1.

1 Claim, 1 Drawing Sheet



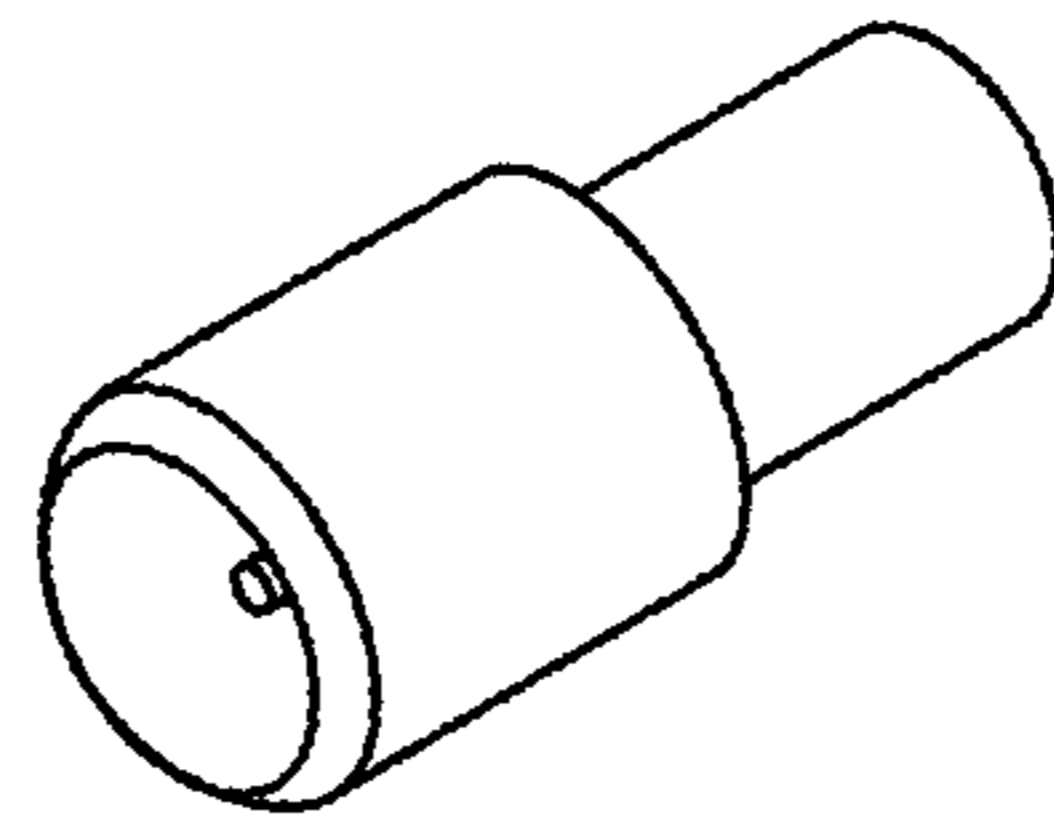


FIG. 1

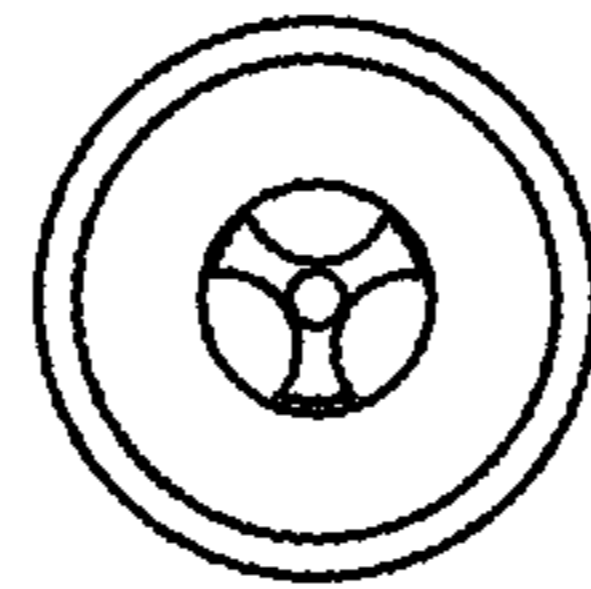


FIG. 2

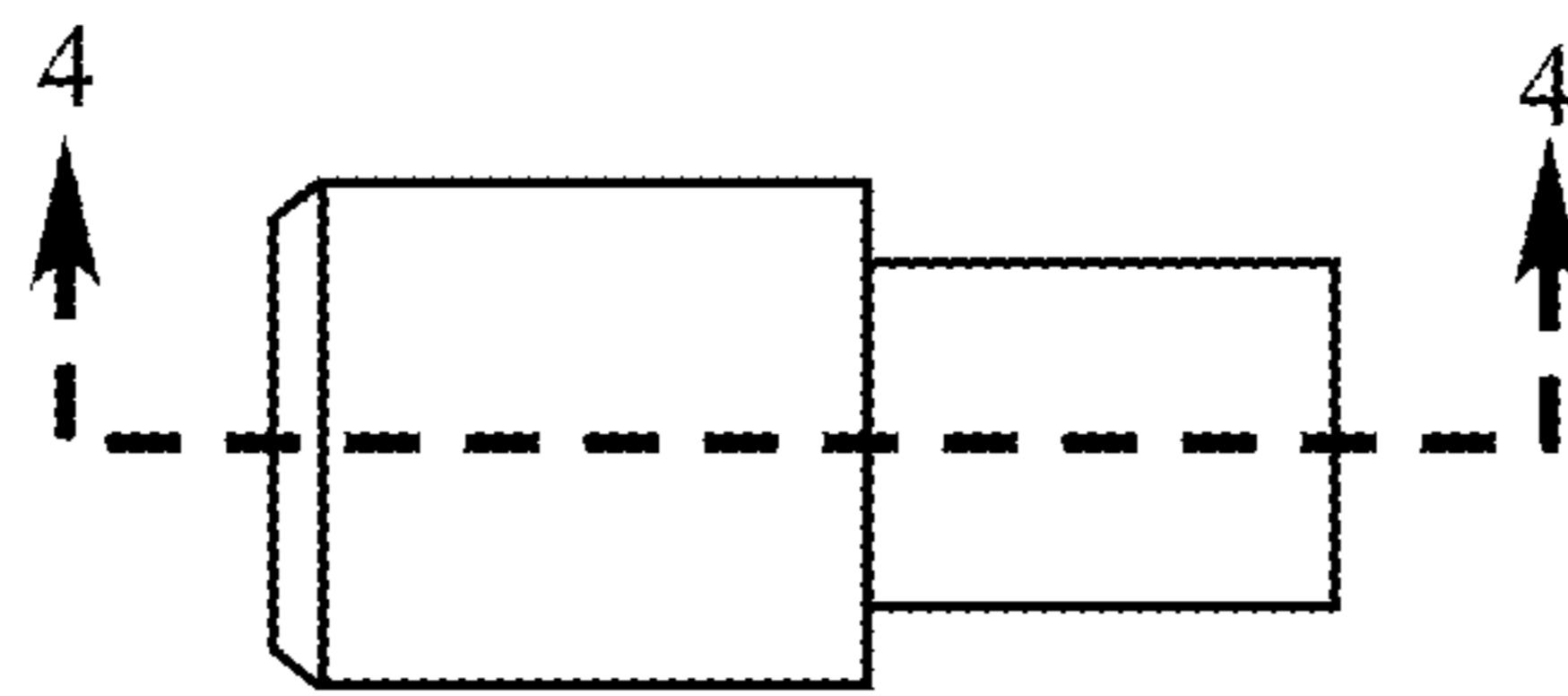


FIG. 3

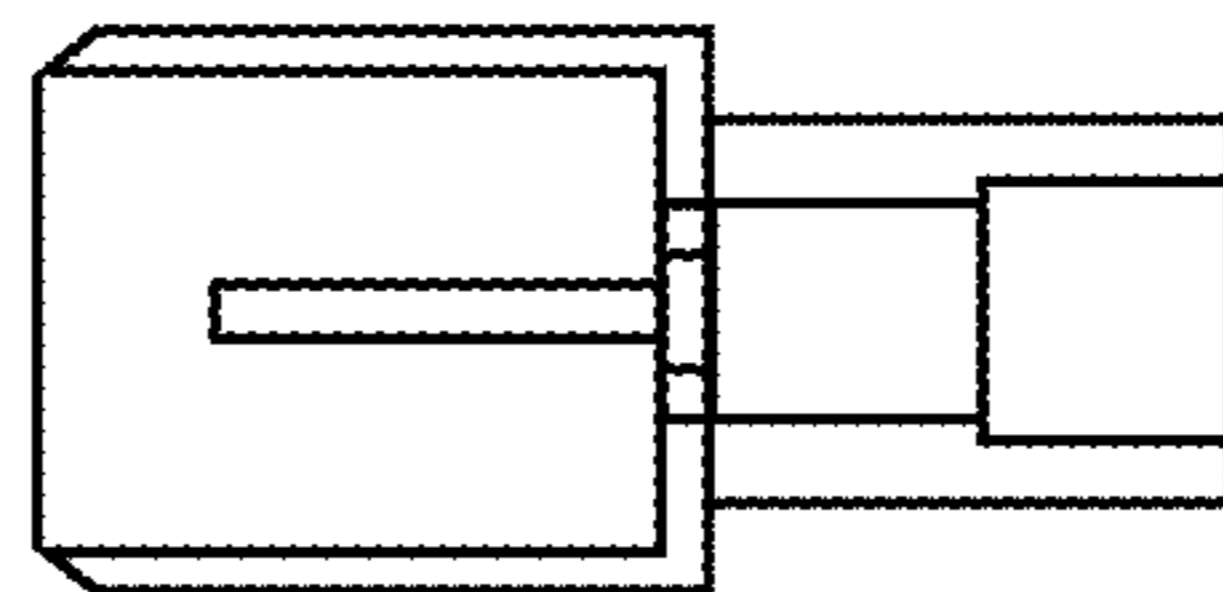


FIG. 4

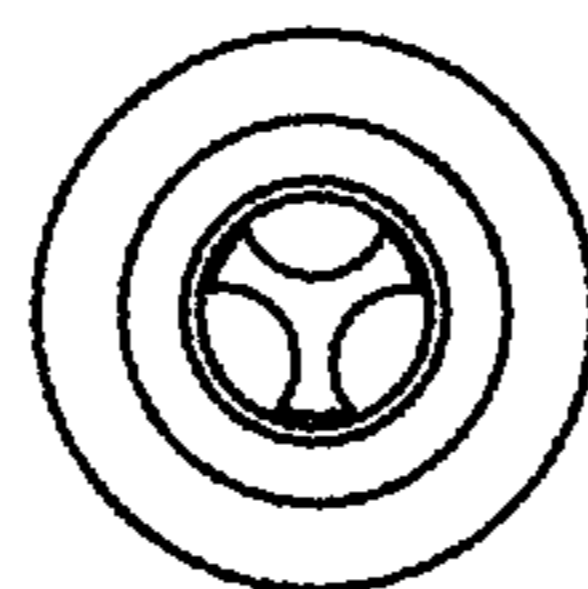


FIG. 5