



US00D705892S

(12) **United States Design Patent**
Standefer et al.

(10) **Patent No.:** **US D705,892 S**

(45) **Date of Patent:** **** May 27, 2014**

(54) **WATER DISTRIBUTION BOX**

(75) Inventors: **Robin Standefer**, New York, NY (US);
Stephen Alesch, New York, NY (US)

(73) Assignee: **Waterworks IP Co. LLC**, Danbury, CT (US)

(**) Term: **14 Years**

(21) Appl. No.: **29/428,546**

(22) Filed: **Jul. 31, 2012**

(51) **LOC (10) Cl.** **23-01**

(52) **U.S. Cl.**
USPC **D23/200; D23/252**

(58) **Field of Classification Search**
USPC D23/213, 229, 230, 228, 304, 252, 200;
D6/525; 239/289; 4/597, 605, 612;
137/801

See application file for complete search history.

(56) **References Cited**

U.S. PATENT DOCUMENTS

| | | | | |
|----------------|--------|-----------|-------|---------|
| D241,440 S * | 9/1976 | Doman | | D23/252 |
| D349,151 S * | 7/1994 | Fernandez | | D23/213 |
| D522,104 S * | 5/2006 | Hoernig | | D23/254 |
| 7,219,376 B1 * | 5/2007 | Zhou | | 4/567 |

* cited by examiner

Primary Examiner — Robin V Webster

(74) *Attorney, Agent, or Firm* — McDermott Will & Emery LLP

(57) **CLAIM**

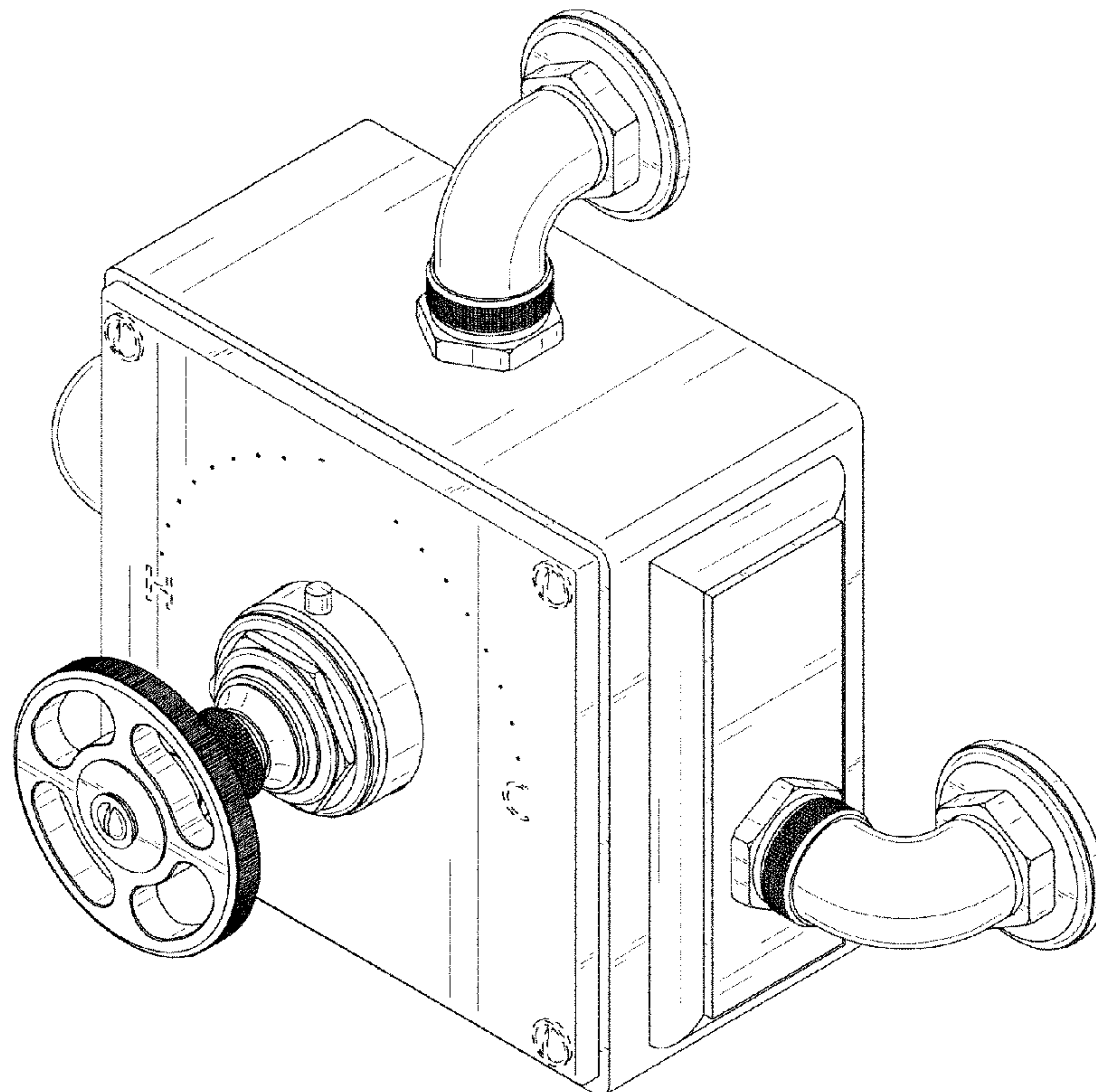
The ornamental design for a water distribution box, as shown and described.

DESCRIPTION

FIG. 1 is a front perspective view a water distribution box showing our new design;
FIG. 2 is a front view thereof;
FIG. 3 is a rear view thereof;
FIG. 4 is a side view thereof;
FIG. 5 is another side view thereof;
FIG. 6 is a top view thereof; and,
FIG. 7 is a bottom view thereof.

The broken lines showing various elements of the water distribution box are included for the purpose of illustrating non-claimed subject matter and form no part of the claimed design.

1 Claim, 6 Drawing Sheets



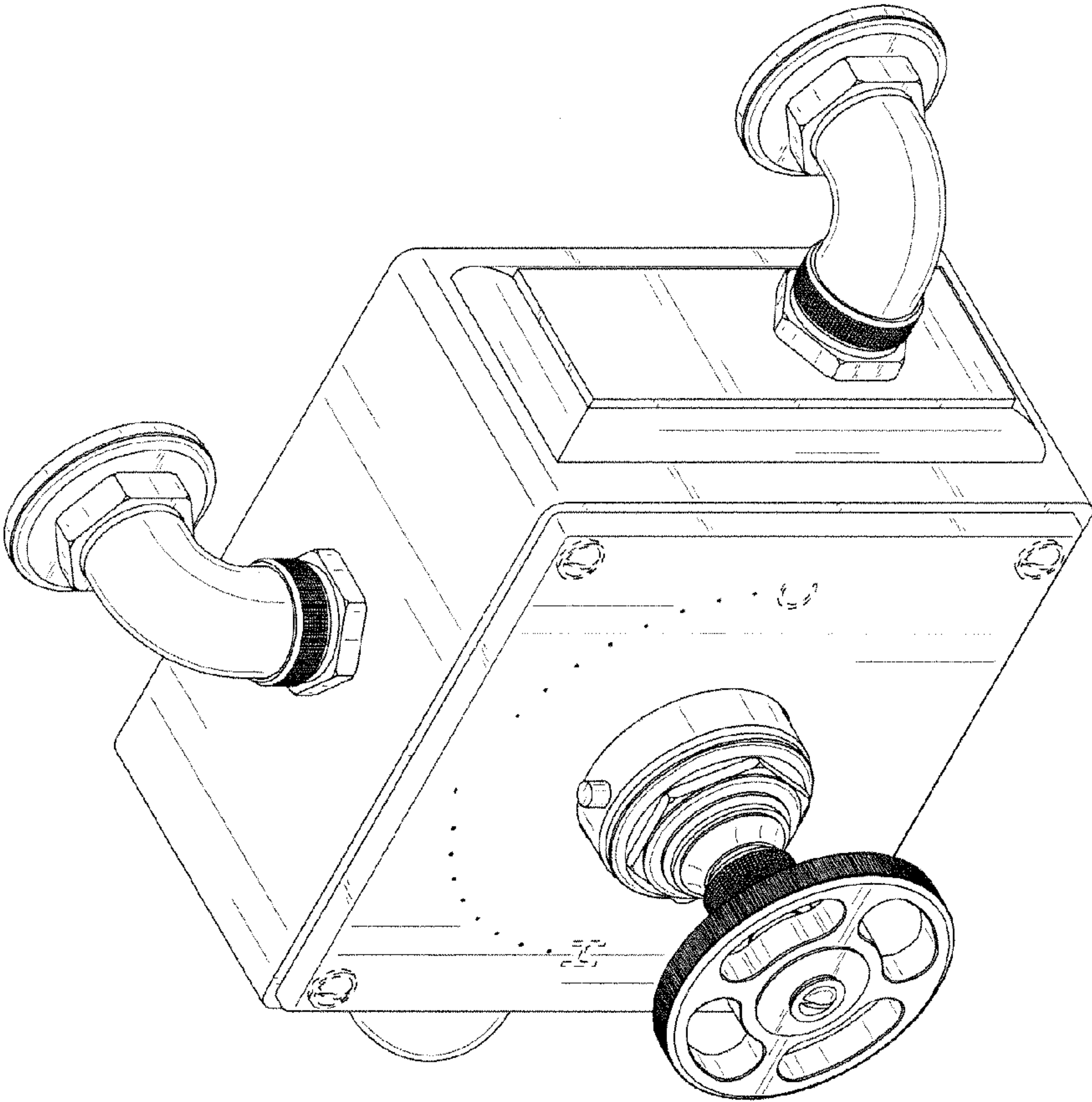


FIG. 1

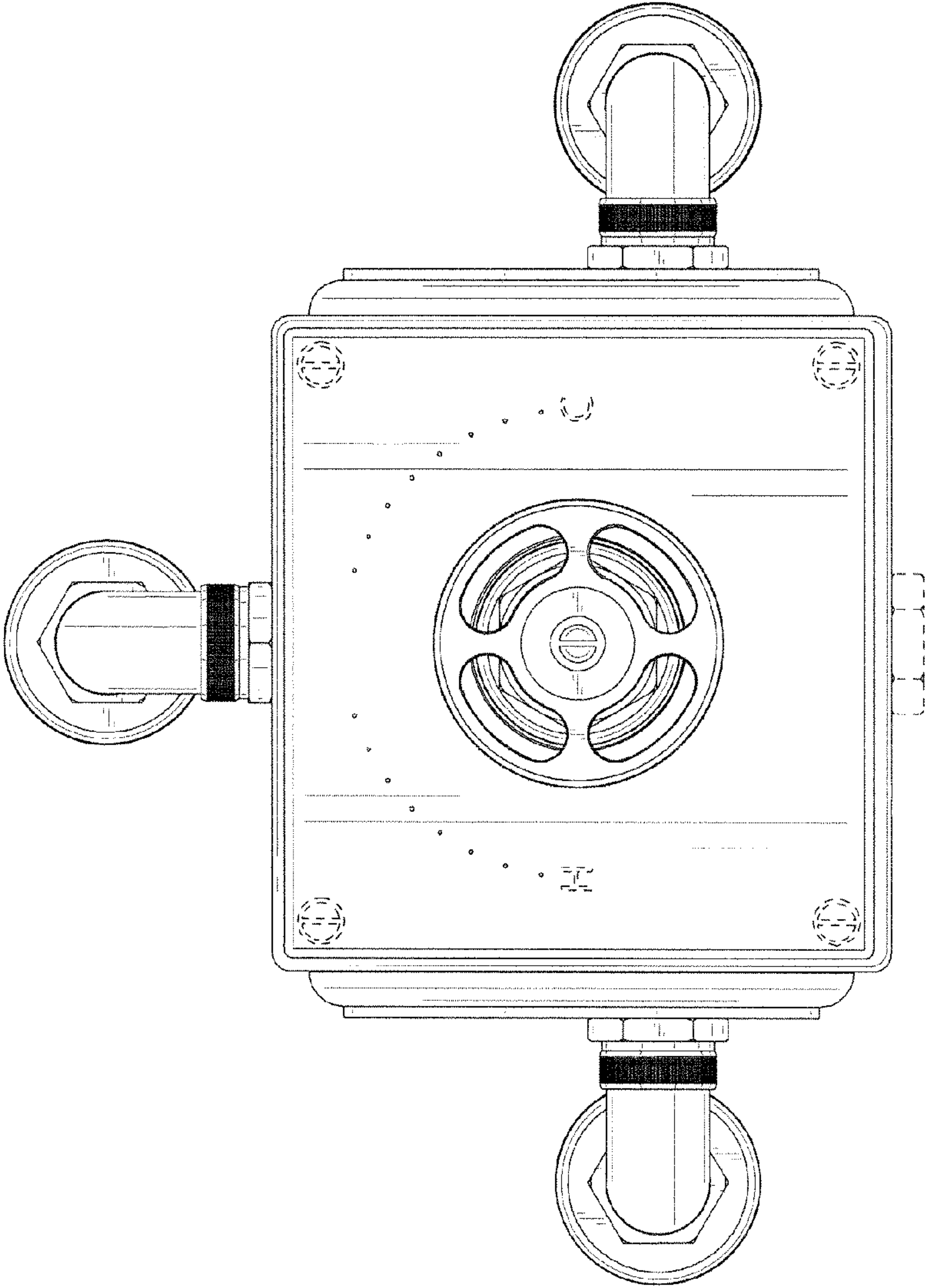


FIG. 2

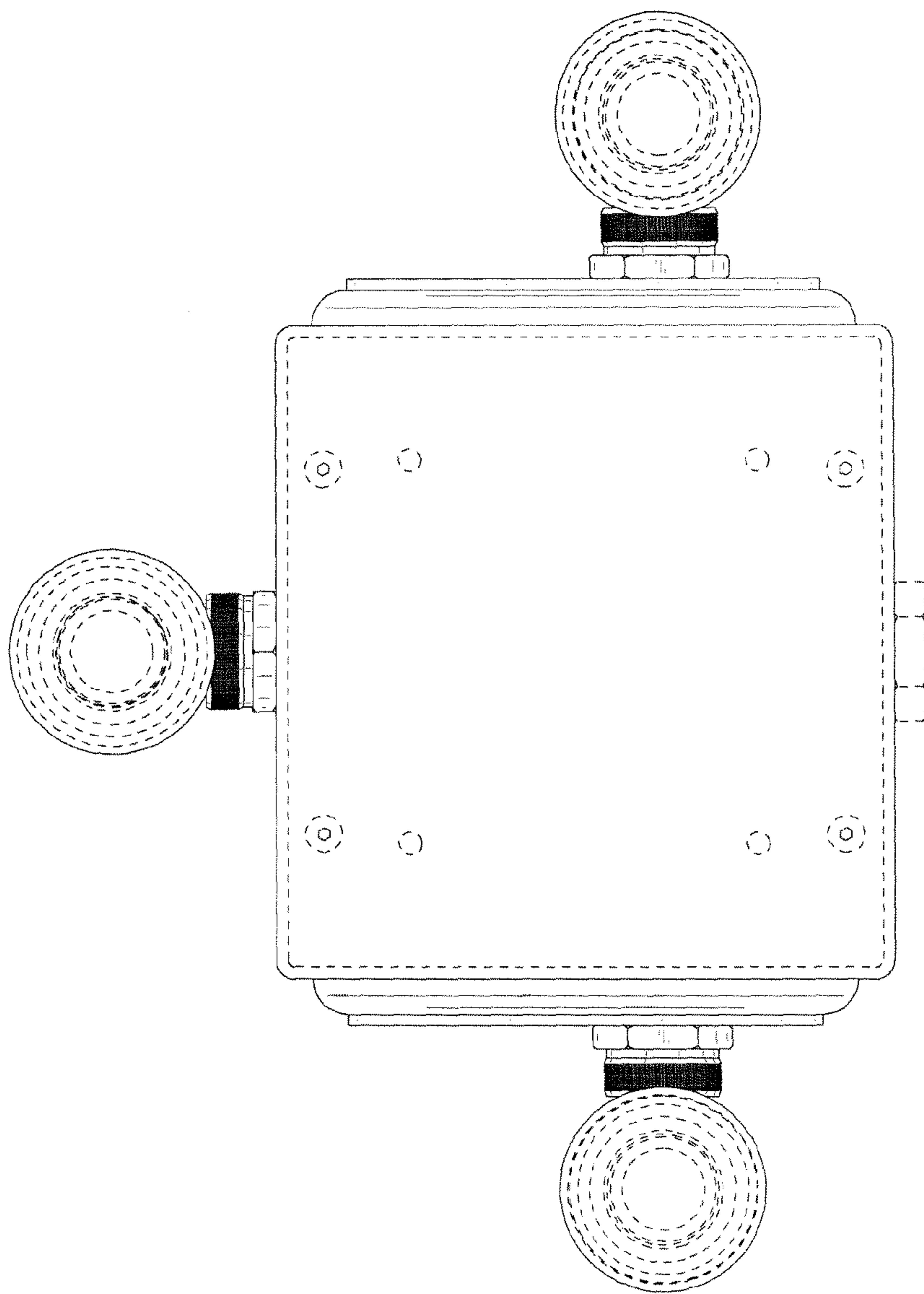


FIG. 3

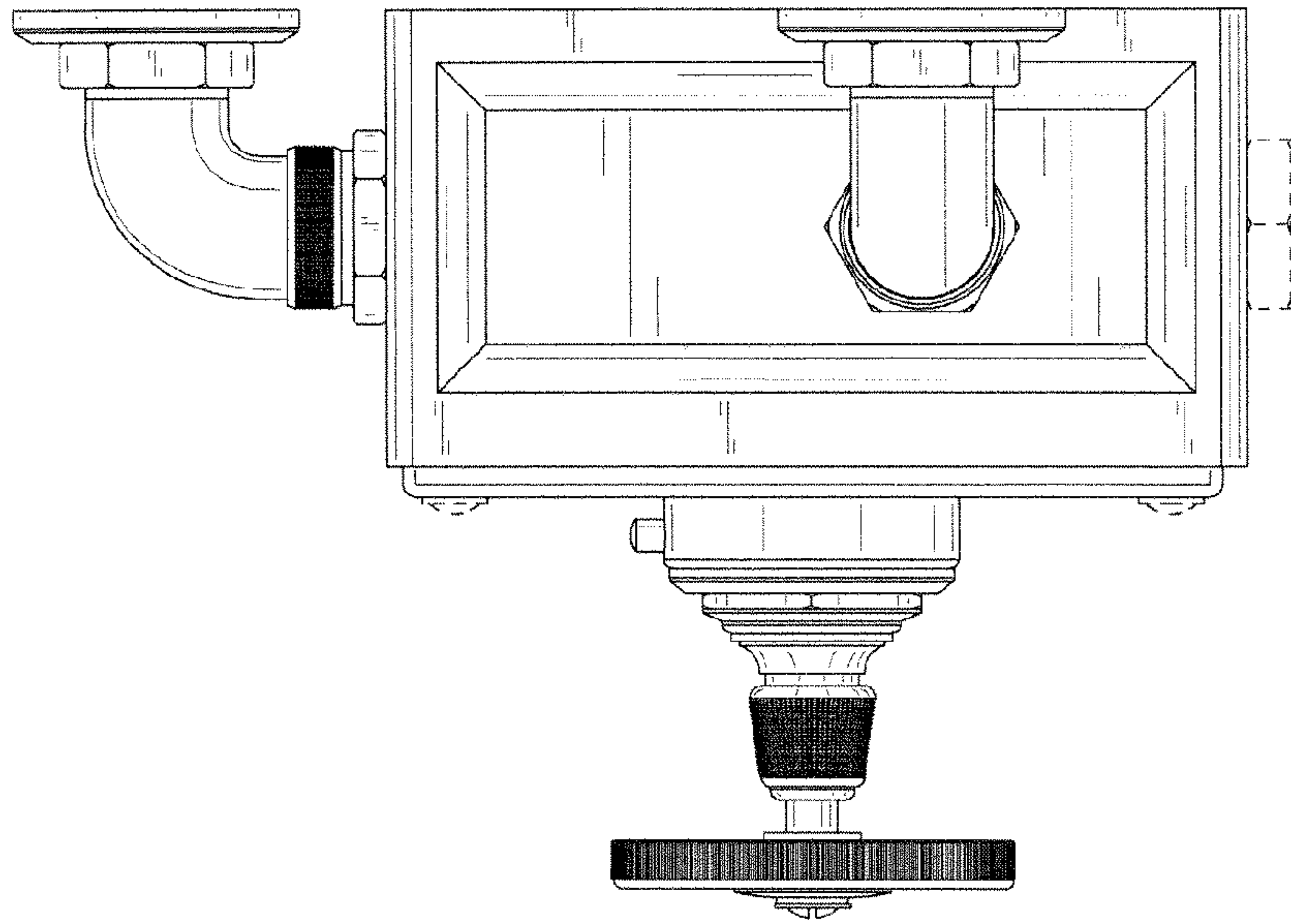


FIG. 5

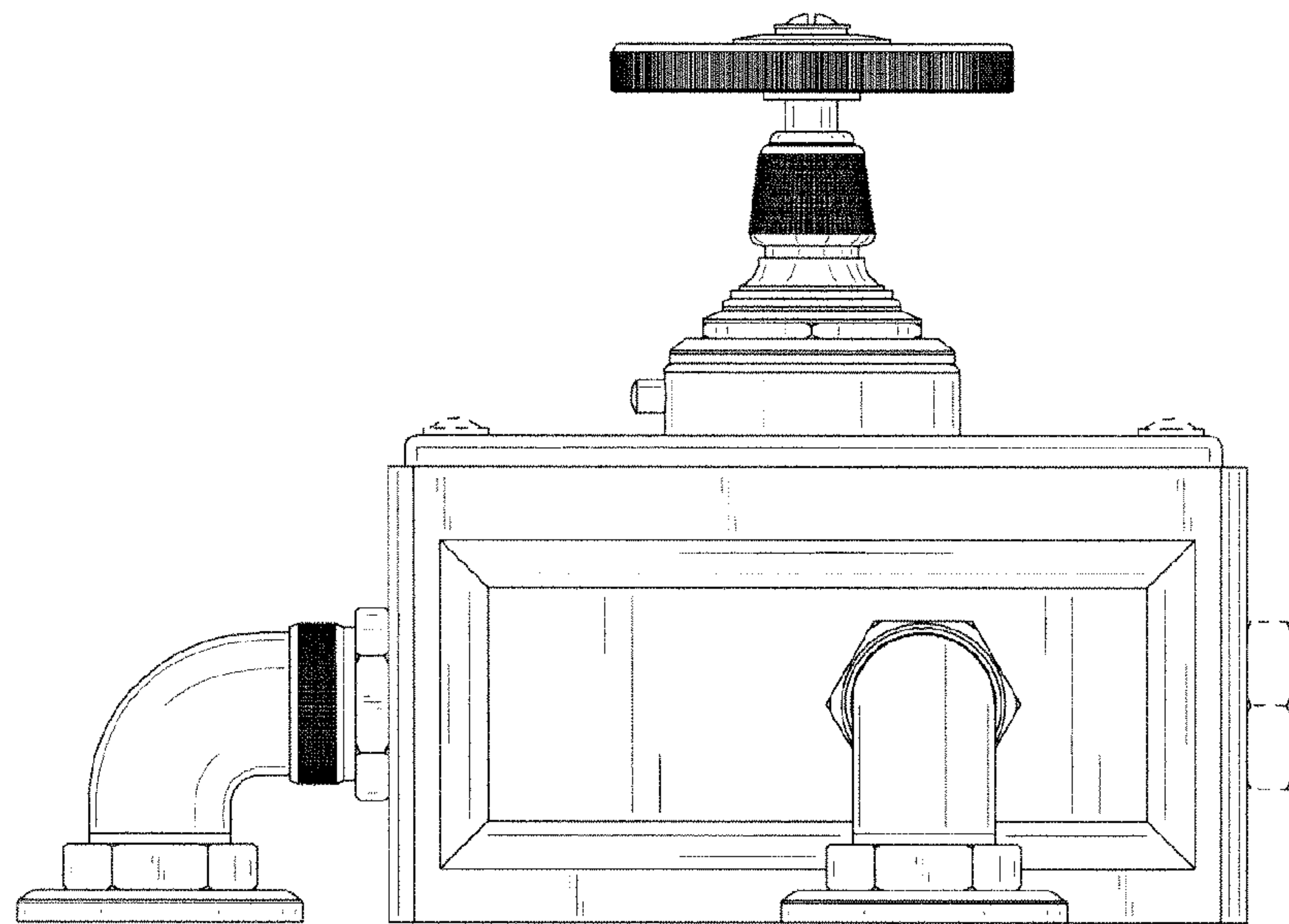


FIG. 4

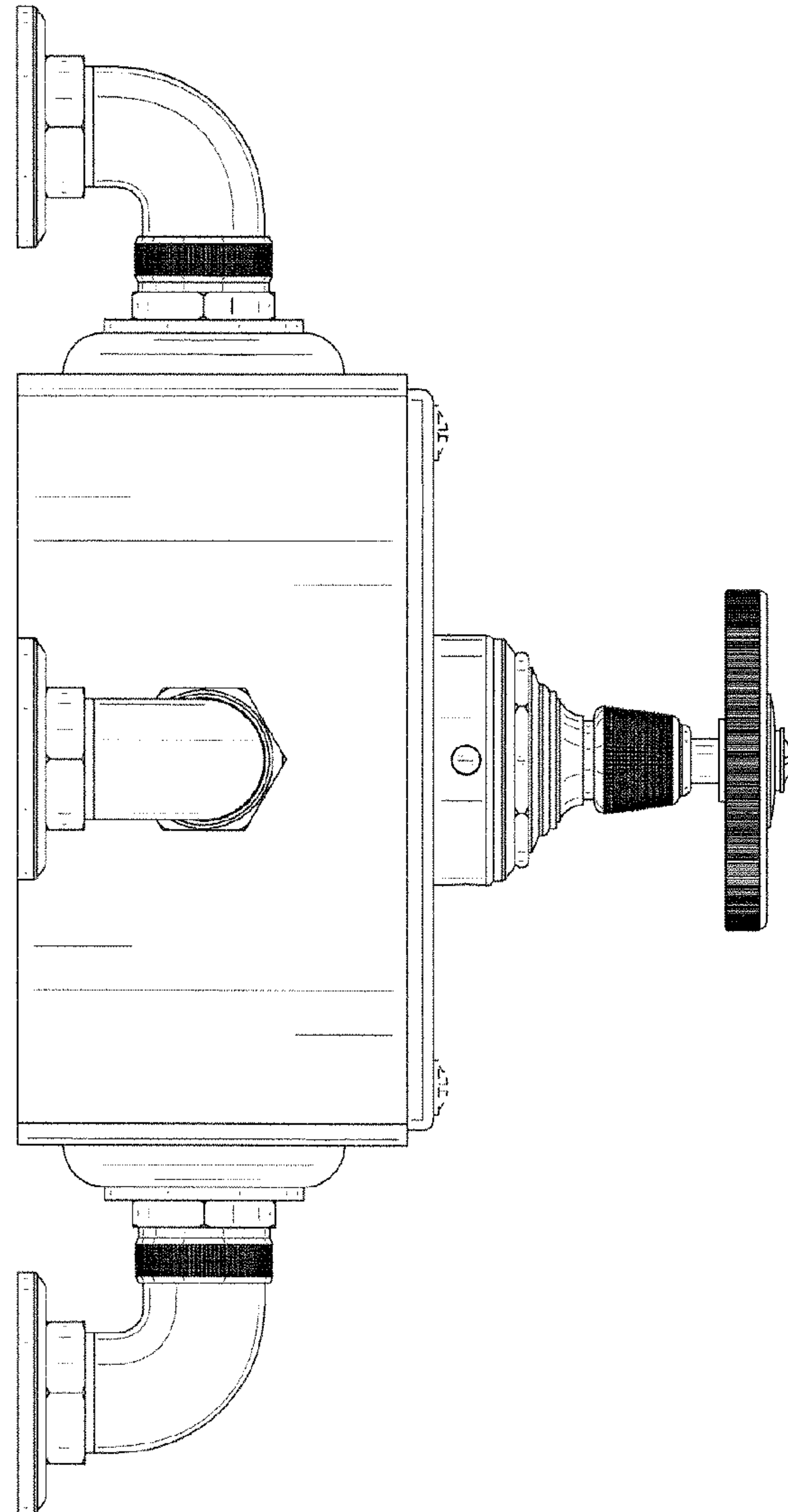


FIG. 6

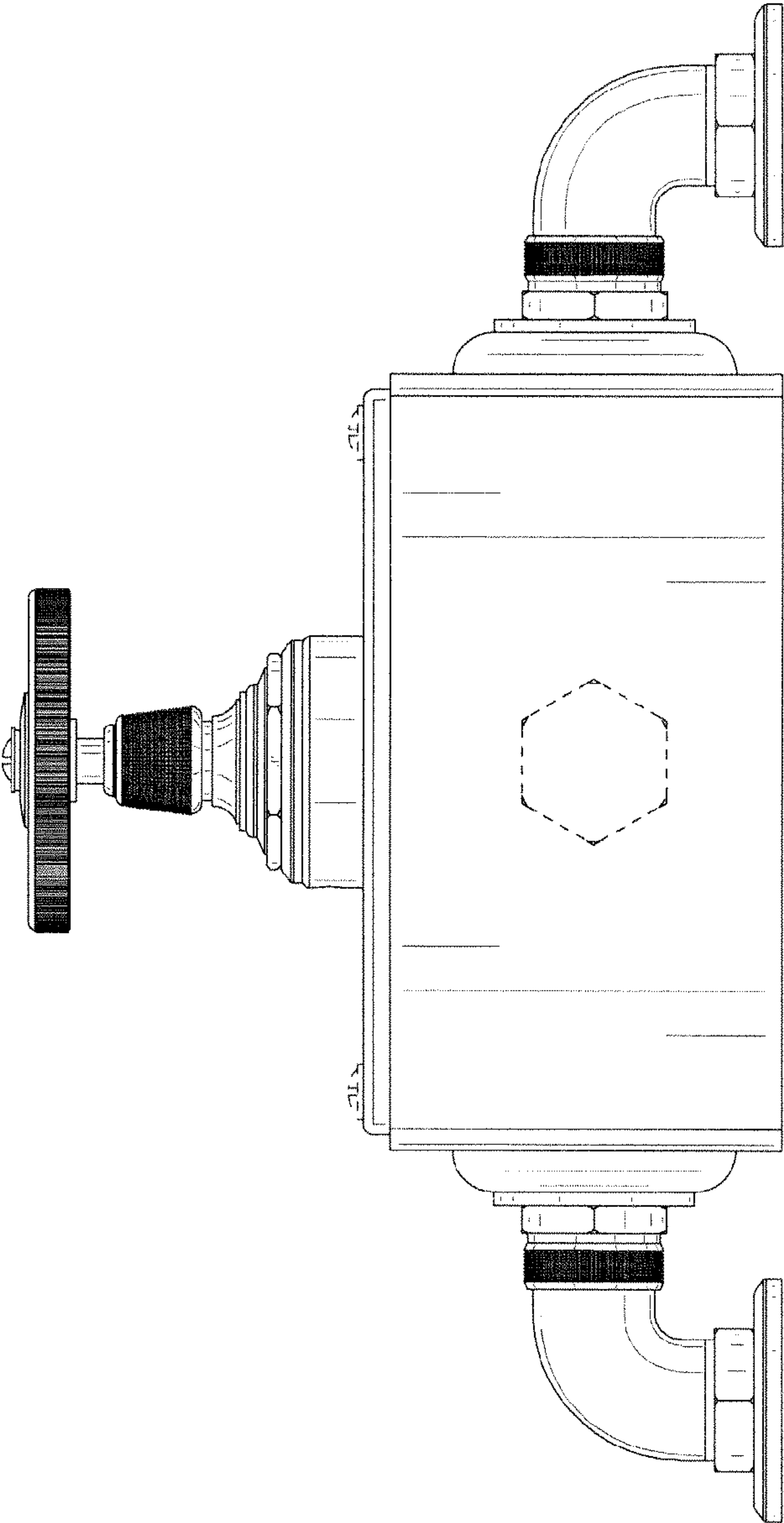


FIG. 7