



US00D705890S

(12) **United States Design Patent**  
**Fitzpatrick et al.**

(10) **Patent No.:** **US D705,890 S**

(45) **Date of Patent:** **\*\* May 27, 2014**

(54) **FOLDING FRONT SIGHT FOR A FIREARM**

(71) Applicant: **Magpul Industries Corporation**, Erie, CO (US)

(72) Inventors: **Richard Fitzpatrick**, Longmont, CO (US); **Michael T. Mayberry**, Denver, CO (US); **Grady Barfoot**, Denver, CO (US); **Brad Bennett**, Lafayette, CO (US)

(73) Assignee: **Magpul Industries Corporation**, Erie, CO (US)

(\*\*) Term: **14 Years**

(21) Appl. No.: **29/443,370**

(22) Filed: **Jan. 16, 2013**

(51) **LOC (10) Cl.** ..... **22-01**

(52) **U.S. Cl.**  
USPC ..... **D22/109**

(58) **Field of Classification Search**  
USPC ..... D22/108–109; 89/111–133; 359/399, 359/823, 744; 42/104, 105, 111–113, 116, 42/120, 124–126, 127–129, 141–148, 42/133–140; 33/227, 229  
See application file for complete search history.

(56) **References Cited**

U.S. PATENT DOCUMENTS

1,257,713	A	2/1918	Johnson	
D235,339	S	6/1975	Edstrom	
D354,111	S	1/1995	Karppinen	
6,779,290	B1	8/2004	Houtsma	
7,356,962	B2	4/2008	Swan	
D594,083	S	6/2009	Mayberry et al.	
D594,084	S	6/2009	Mayberry et al.	
D615,144	S	5/2010	Mayberry et al.	
D648,413	S	11/2011	Mayberry et al.	
8,484,882	B2 *	7/2013	Haley et al.	42/132
2003/0140546	A1	7/2003	Kay	
2006/0156559	A1	7/2006	Forrest	
2007/0130817	A1	6/2007	Ballard	
2007/0234625	A1	10/2007	Kidd	

2007/0271834	A1	11/2007	Keng	
2008/0034638	A1	2/2008	Spuhr	
2008/0253110	A1	10/2008	Wu	
2012/0180370	A1 *	7/2012	McKinley	42/146

\* cited by examiner

*Primary Examiner* — Michael A Pratt

(74) *Attorney, Agent, or Firm* — Swanson & Bratschun, L.L.C.

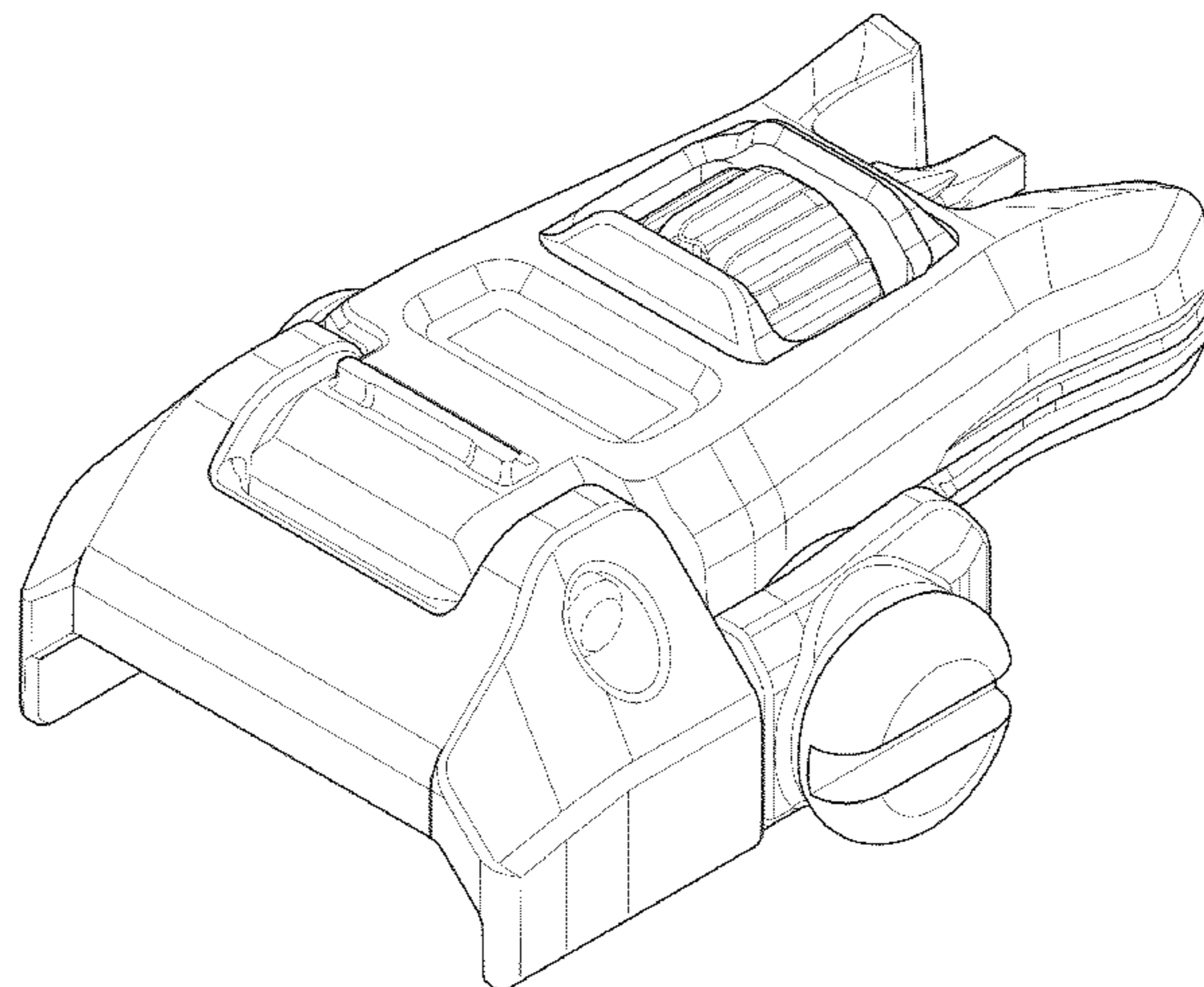
(57) **CLAIM**

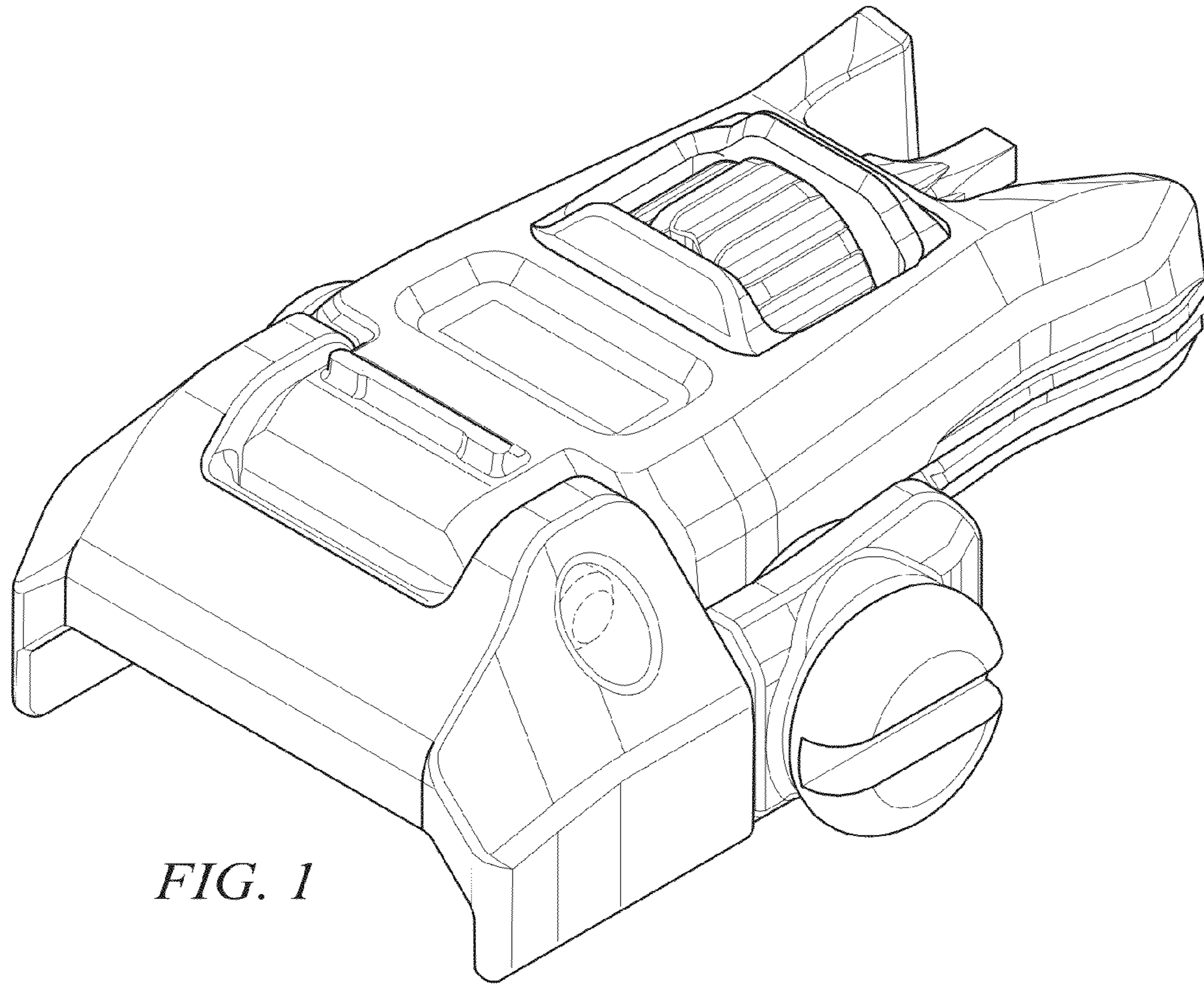
The ornamental design for a folding front sight for a firearm, as shown and described.

**DESCRIPTION**

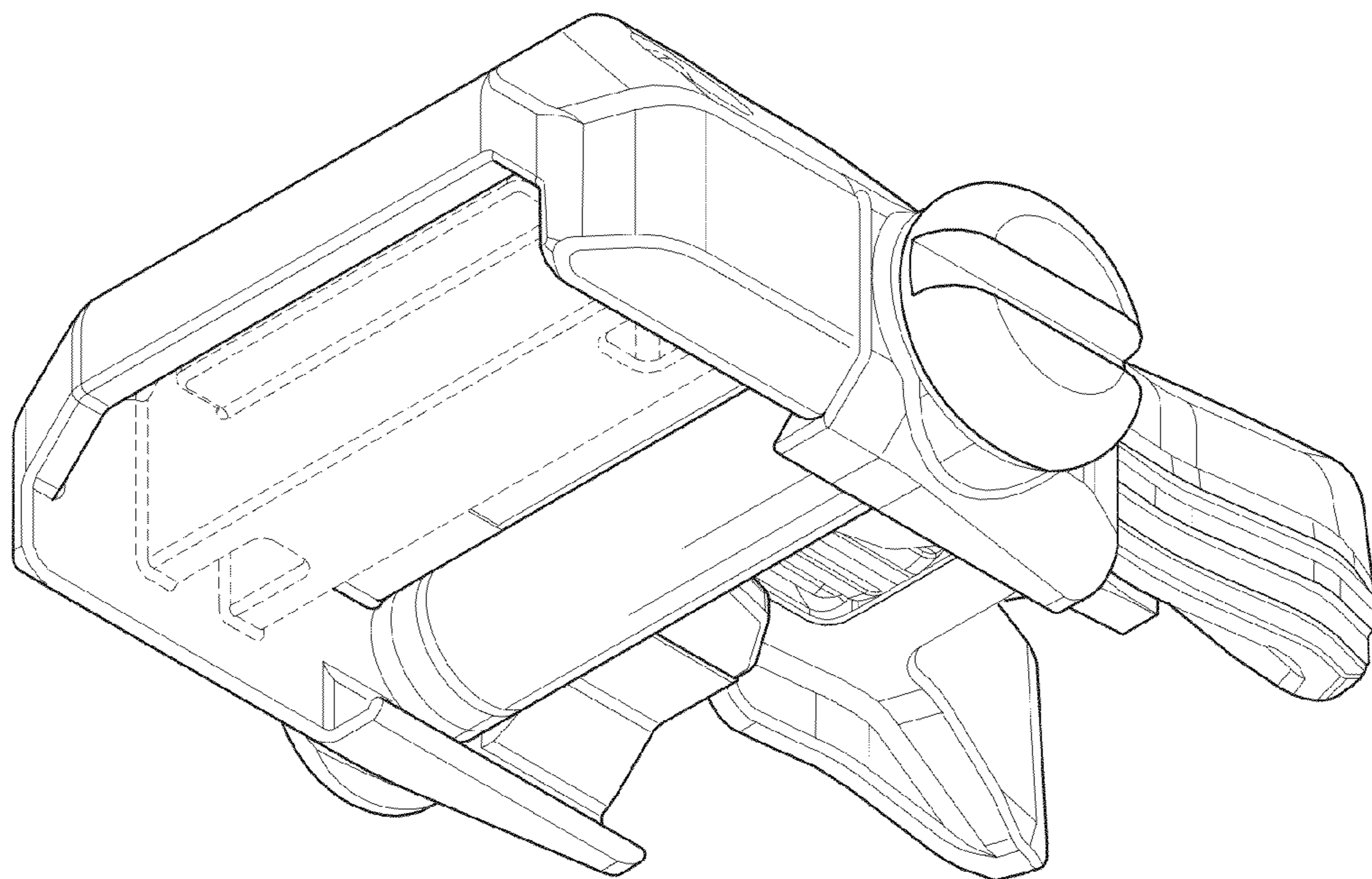
FIG. 1 is a front, left, top perspective view of a folding front sight for a firearm showing our new design;  
 FIG. 2 is a front, left, bottom view of the folding front sight for a firearm of FIG. 1;  
 FIG. 3 is a front elevation view of the folding front sight for a firearm of FIG. 1;  
 FIG. 4 is a rear elevation view of the folding front sight for a firearm of FIG. 1;  
 FIG. 5 is a left side elevation view of the folding front sight for a firearm of FIG. 1;  
 FIG. 6 is a right side elevation view of the folding front sight for a firearm of FIG. 1;  
 FIG. 7 is a top plan view of the folding front sight for a firearm of FIG. 1;  
 FIG. 8 is a bottom plan view of the folding front sight for a firearm of FIG. 1;  
 FIG. 9 is a front, left, top perspective view of the folding front sight for a firearm of FIG. 1 showing the front sight pivoted to an upright operative position; and,  
 FIG. 10 is a rear, right, top perspective view of the folding front sight for a firearm of FIG. 1 showing the front sight pivoted to an upright operative position.  
 The broken lines showing portions of the design in all figures is included for the purpose of illustrating environment and unclaimed features and forms not part of the claimed design.

**1 Claim, 6 Drawing Sheets**

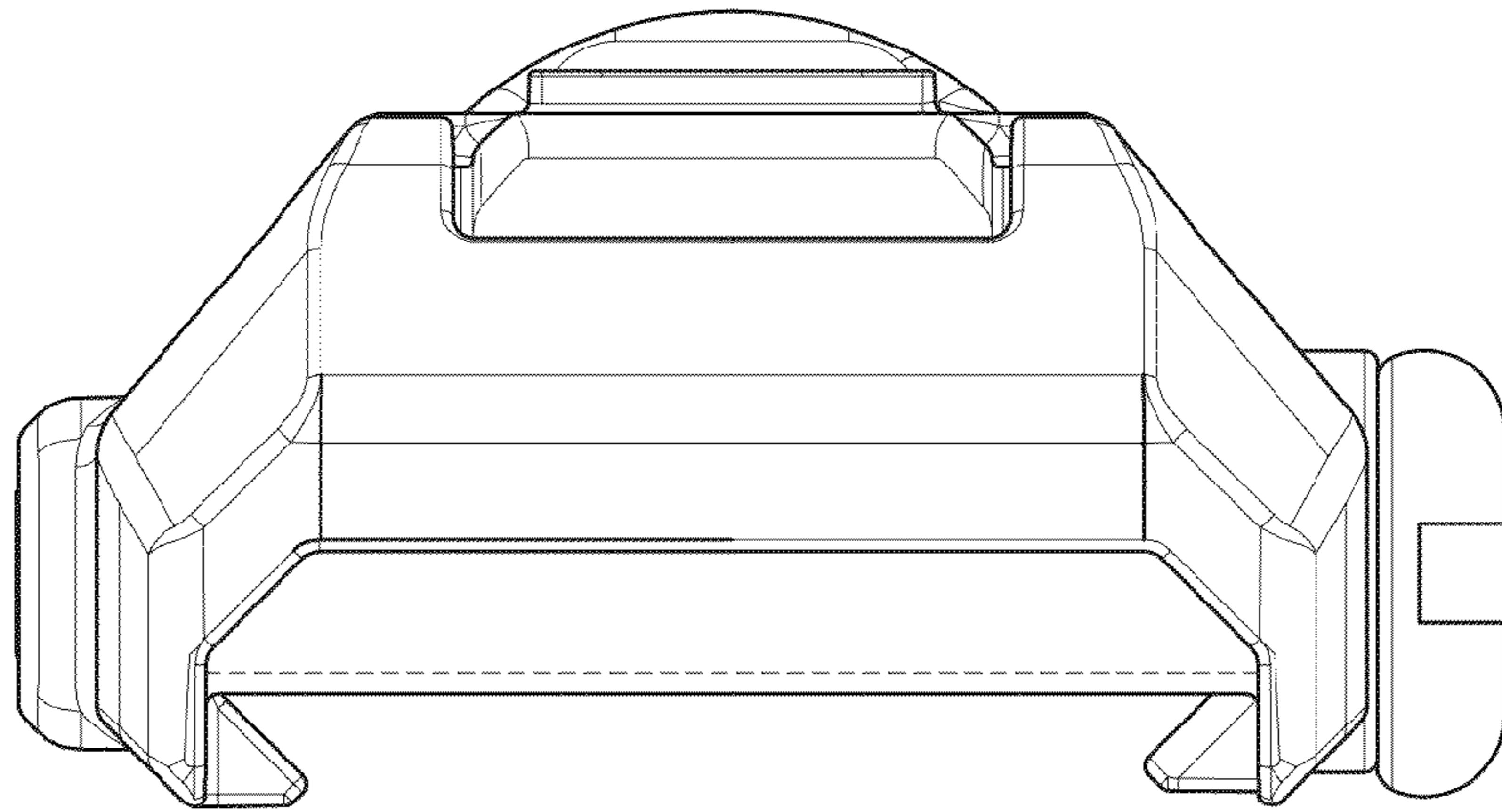




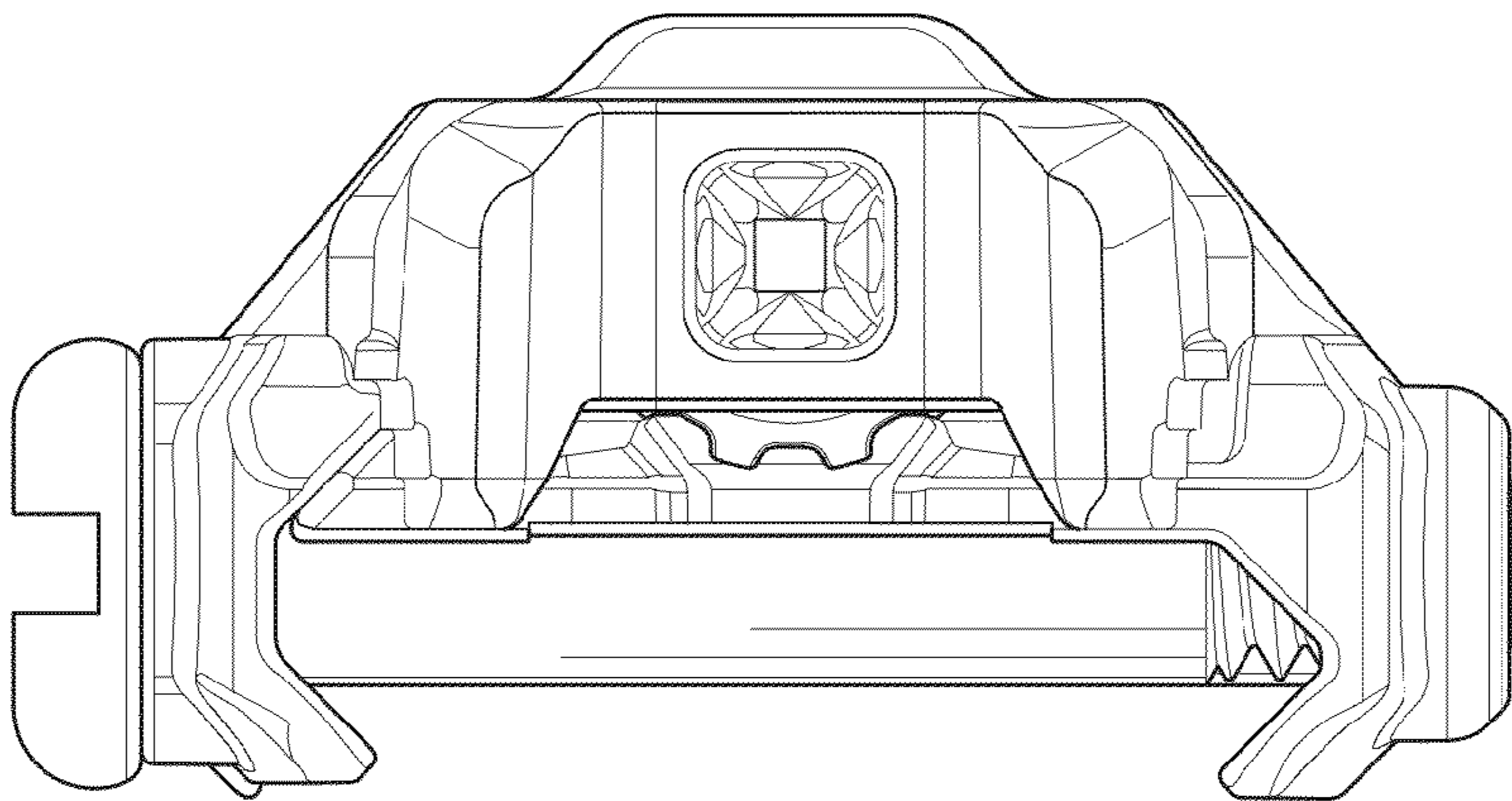
*FIG. 1*



*FIG. 2*



*FIG. 3*



*FIG. 4*

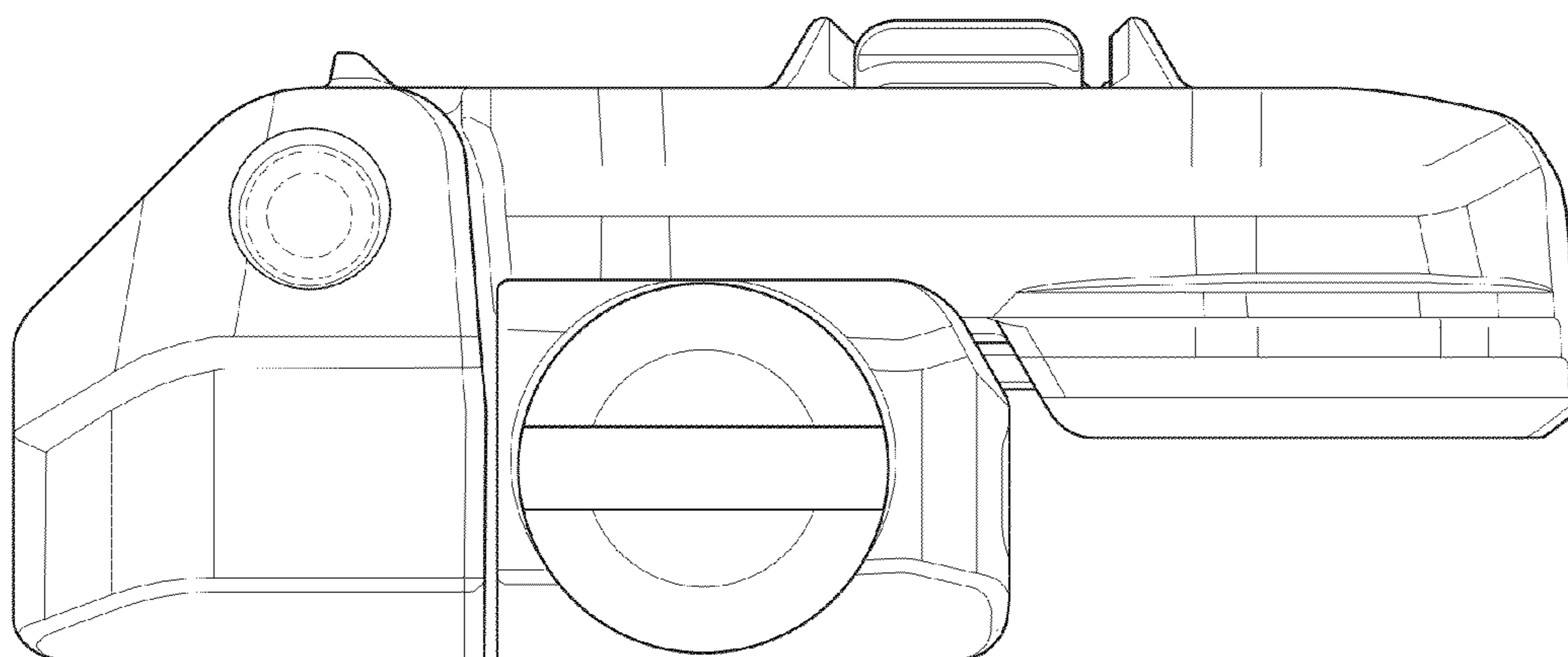


FIG. 5

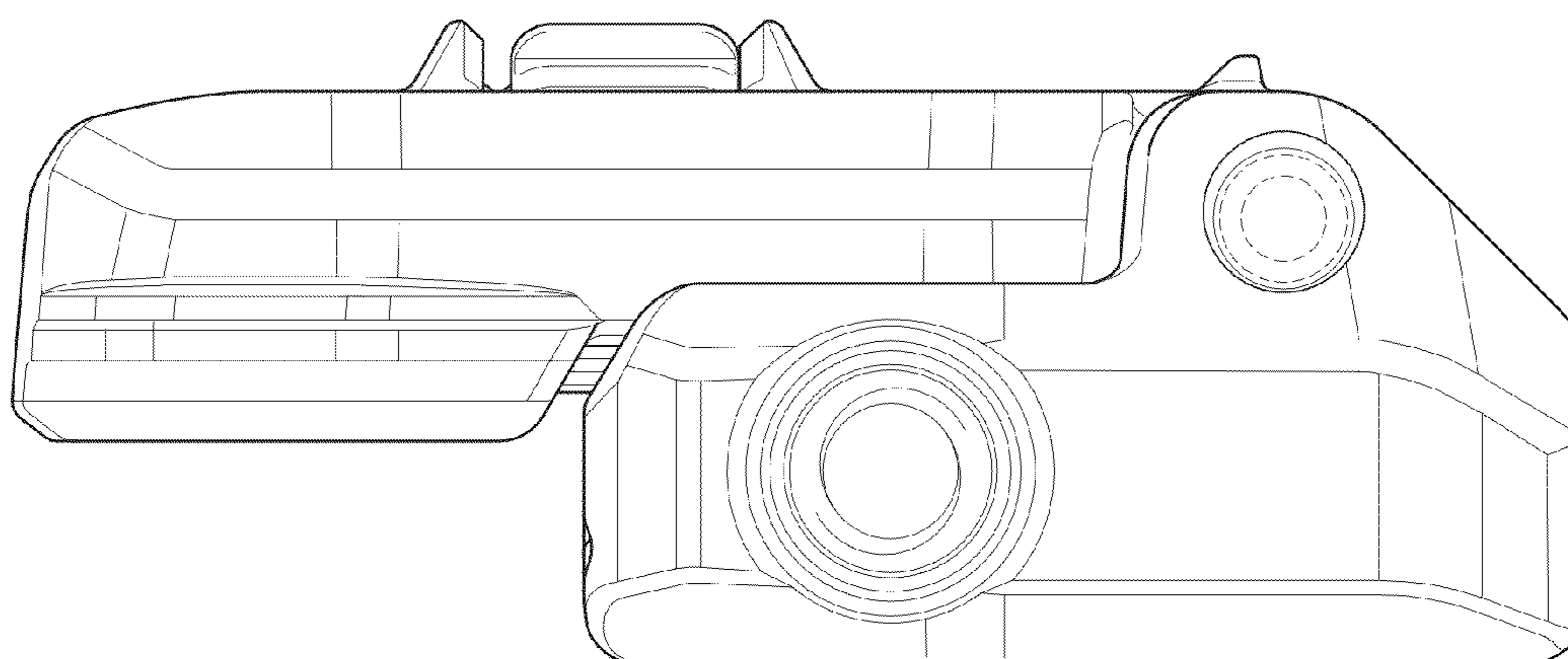


FIG. 6

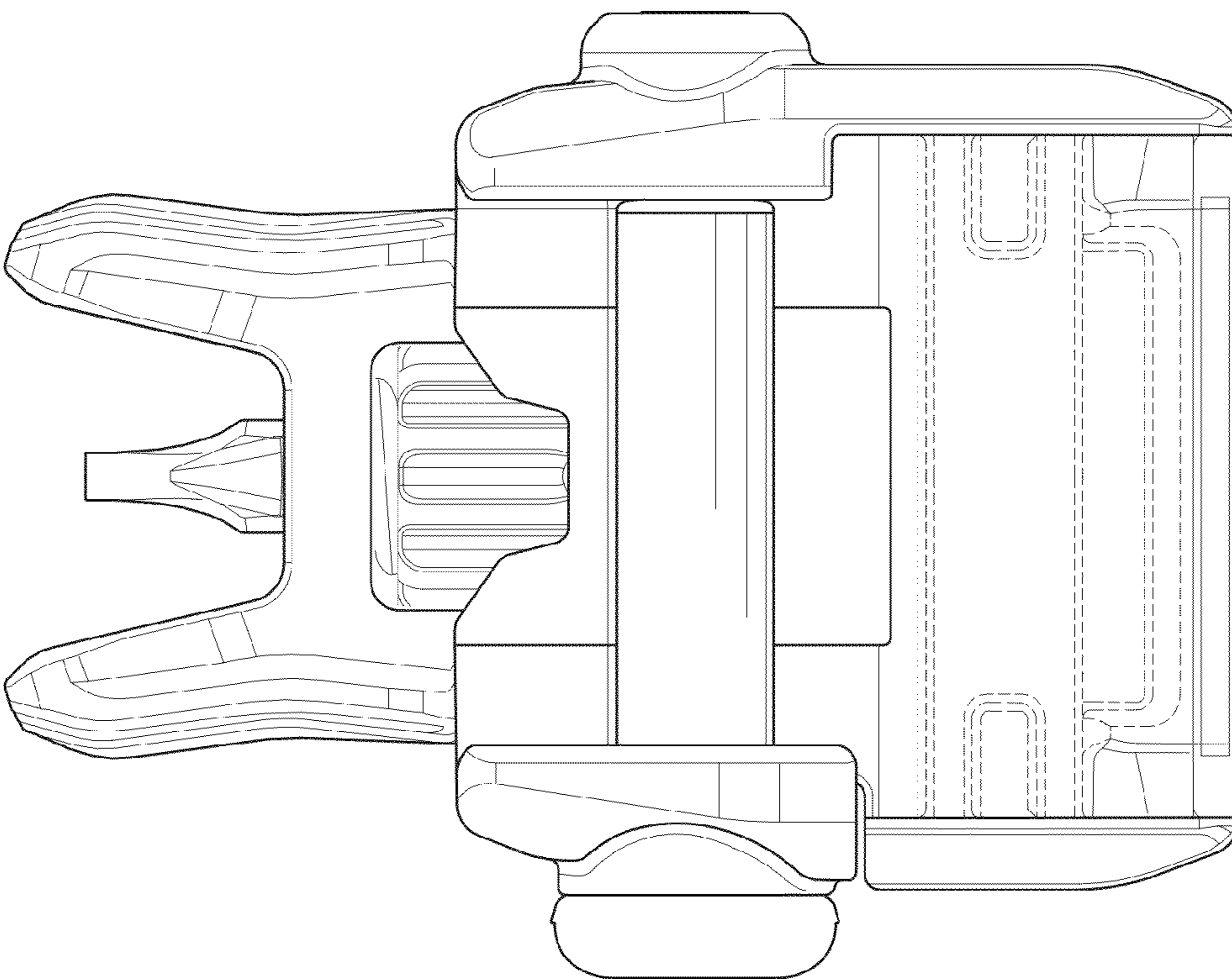


FIG. 8

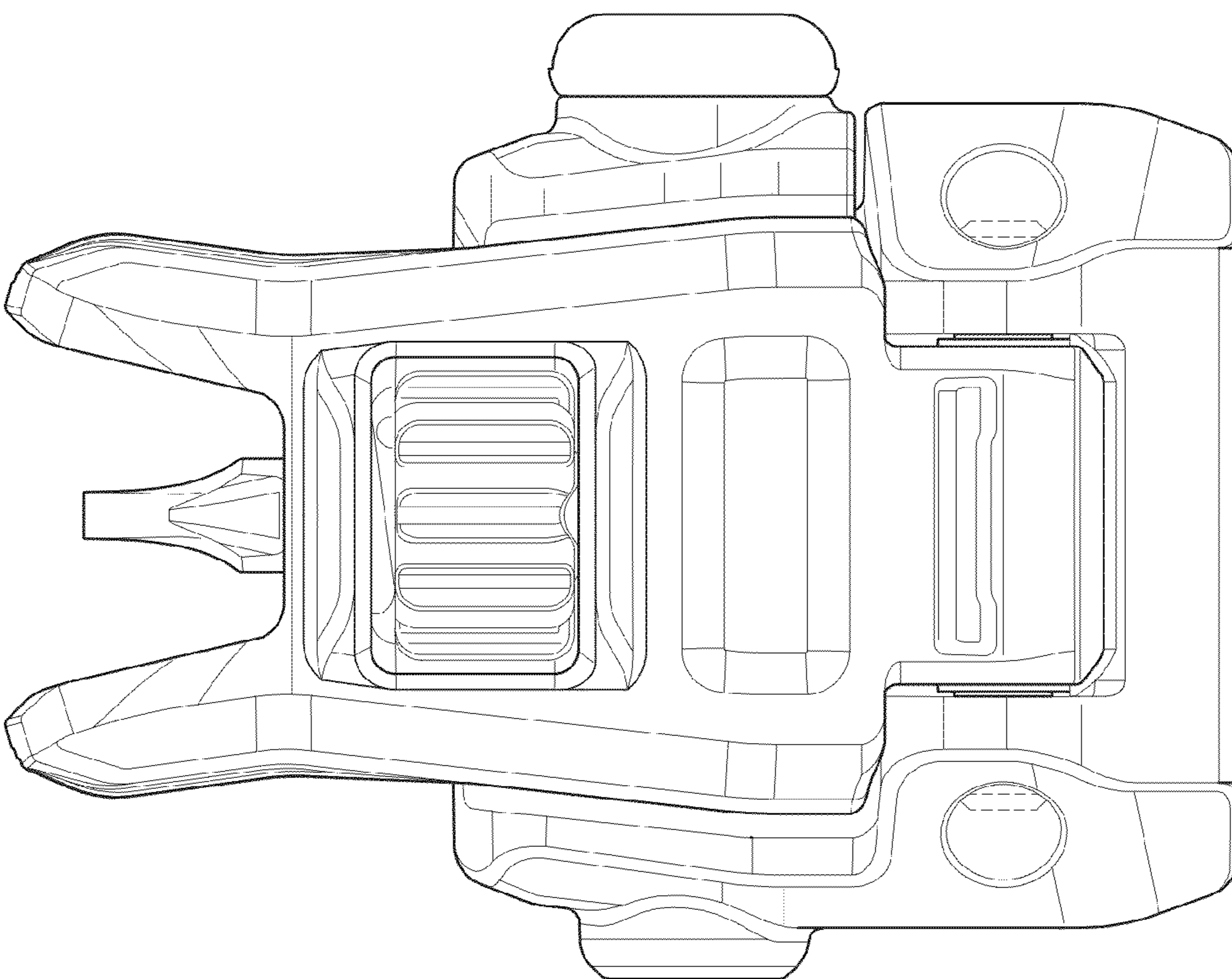
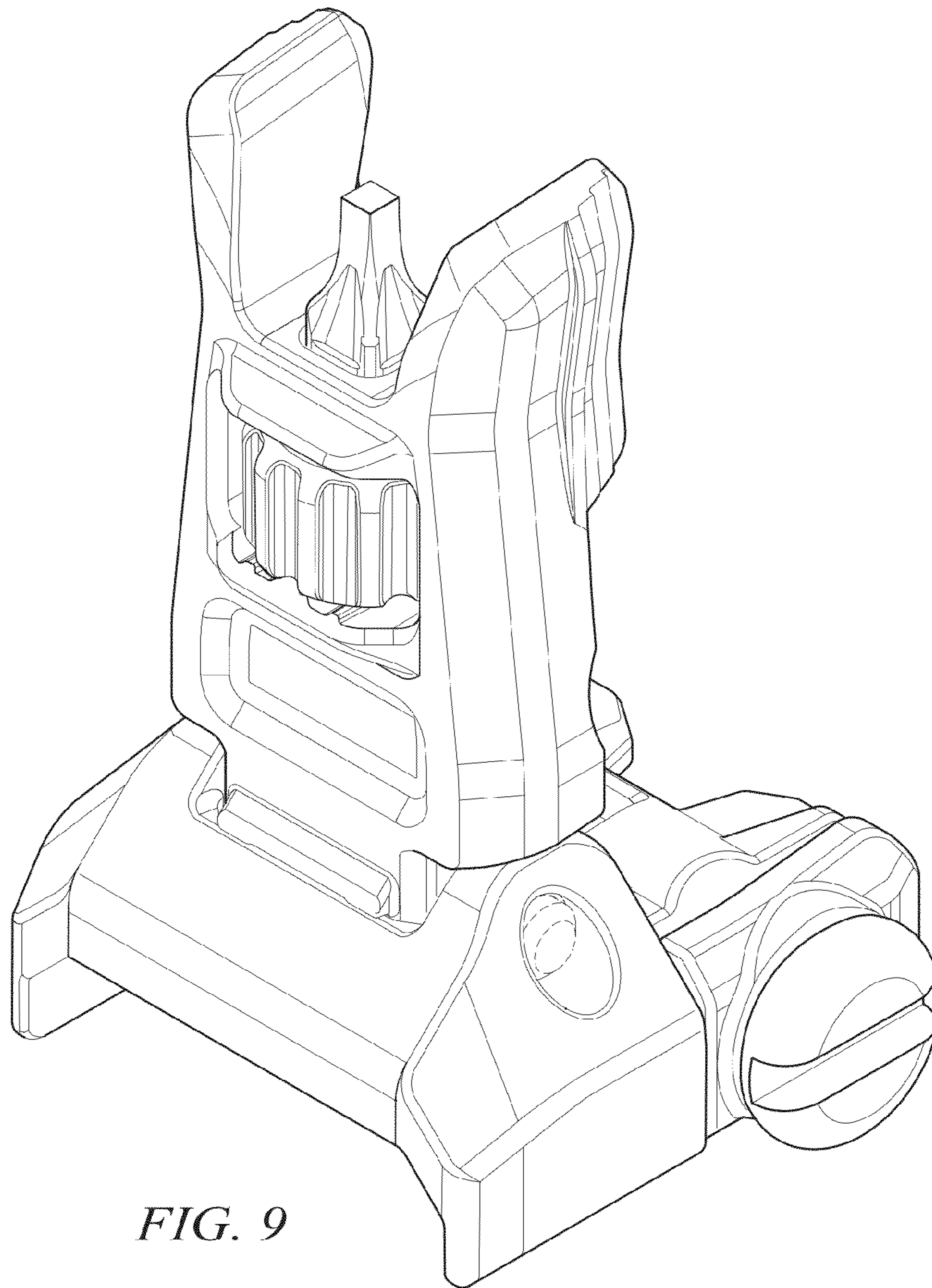
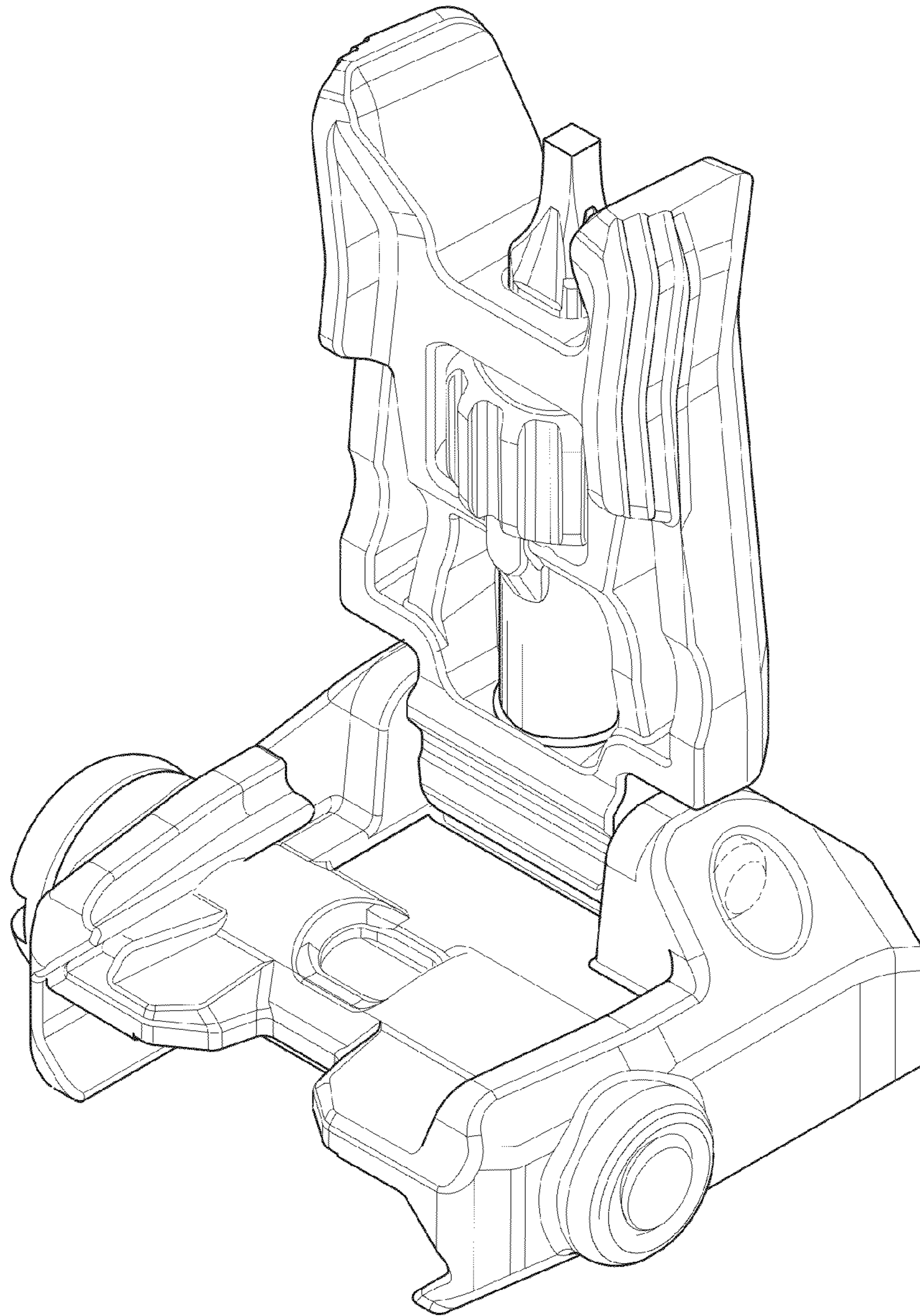


FIG. 7



*FIG. 9*



*FIG. 10*

UNITED STATES PATENT AND TRADEMARK OFFICE  
**CERTIFICATE OF CORRECTION**

PATENT NO. : D705,890 S  
APPLICATION NO. : 29/443370  
DATED : May 27, 2014  
INVENTOR(S) : Fitzpatrick et al.

Page 1 of 1

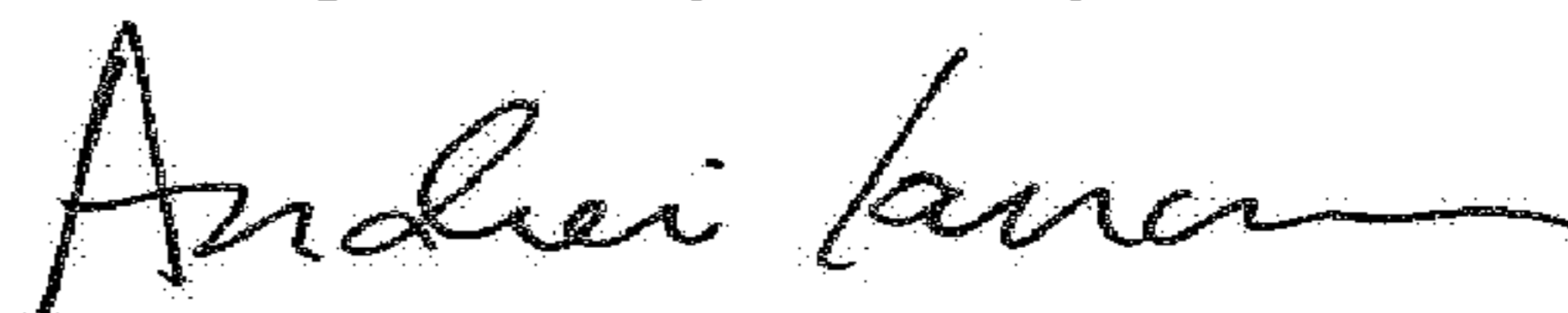
It is certified that error appears in the above-identified patent and that said Letters Patent is hereby corrected as shown below:

On the Title Page

Item (72) should read:

--(72) Inventors: **Richard Fitzpatrick**, Longmont, CO  
(US); **Michael T. Mayberry**, Denver,  
CO (US); **Grady Barfoot**, Denver, CO  
(US); **Brad Bennett**, Lafayette, CO (US);  
**Sean William Flickinger**, Lakewood, CO  
(US)--.

Signed and Sealed this  
Eighth Day of May, 2018



Andrei Iancu  
Director of the United States Patent and Trademark Office