



US00D705889S

(12) **United States Design Patent**
Geissele

(10) **Patent No.:** **US D705,889 S**

(45) **Date of Patent:** **** May 27, 2014**

(54) **LOW PROFILE GAS BLOCK**

(71) Applicant: **William H. Geissele**, Norristown, PA
(US)

(72) Inventor: **William H. Geissele**, Norristown, PA
(US)

(73) Assignee: **WHG Properties, LLC**, North Wales,
PA (US)

(**) Term: **14 Years**

(21) Appl. No.: **29/446,502**

(22) Filed: **Feb. 25, 2013**

(51) **LOC (10) Cl.** **22-01**

(52) **U.S. Cl.**
USPC **D22/108**

(58) **Field of Classification Search**
USPC D22/108; 42/76.01–76.1; 89/40.06,
89/41.19, 37.04, 33.04, 191.01, 200–204;
124/67, 66, 72, 74

See application file for complete search history.

(56) **References Cited**

U.S. PATENT DOCUMENTS

6,775,942 B2 * 8/2004 Compton 42/85
7,610,844 B2 * 11/2009 Kuczynko et al. 89/193
8,042,448 B1 * 10/2011 Sylvester et al. 89/14.3

8,596,185 B1 * 12/2013 Soong et al. 89/193
8,640,372 B2 * 2/2014 Hochstrate et al. 42/75.01
2003/0126781 A1 * 7/2003 Herring 42/18
2009/0000173 A1 * 1/2009 Robinson et al. 42/75.02
2011/0265640 A1 * 11/2011 Kuczynko et al. 89/193
2012/0152104 A1 * 6/2012 Audibert et al. 89/191.01

* cited by examiner

Primary Examiner — Michael A Pratt

(74) *Attorney, Agent, or Firm* — Merchant & Gould PC

(57) **CLAIM**

The ornamental design for a low profile gas block, as shown and described.

DESCRIPTION

FIG. 1 is a top view of a low profile gas block according to my design;

FIG. 2 is a front view thereof;

FIG. 3 is a side view thereof;

FIG. 4 is a back view thereof;

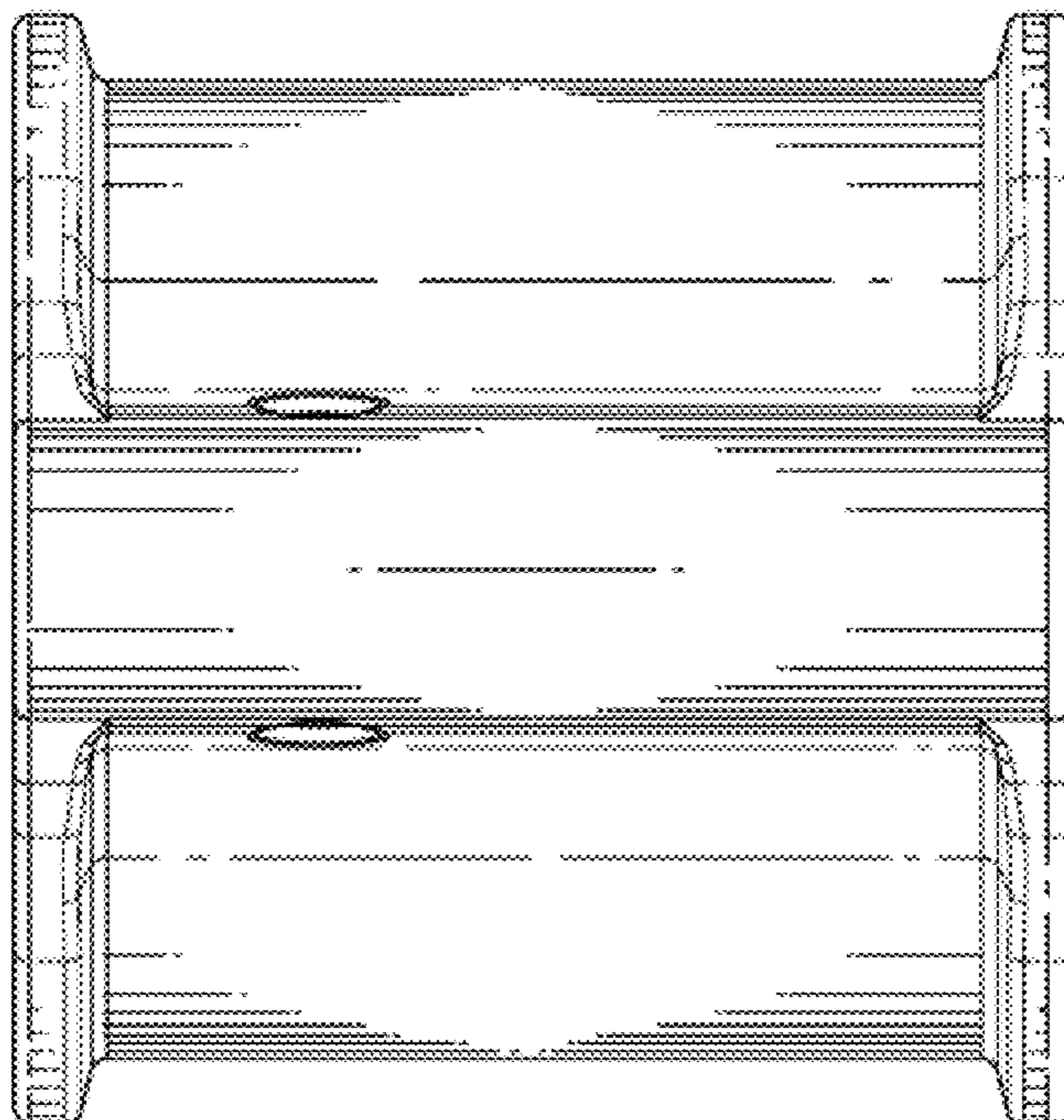
FIG. 5 is a bottom view thereof;

FIG. 6 is an isometric view thereof; and,

FIG. 7 is an isometric view thereof installed on a rifle.

The broken lines having repeated short dashes in the Figures are for illustrative purposes only and form no part of the claimed design. The shade lines having a combination of long and short lines in the Figures show contour and not surface ornamentation.

1 Claim, 7 Drawing Sheets



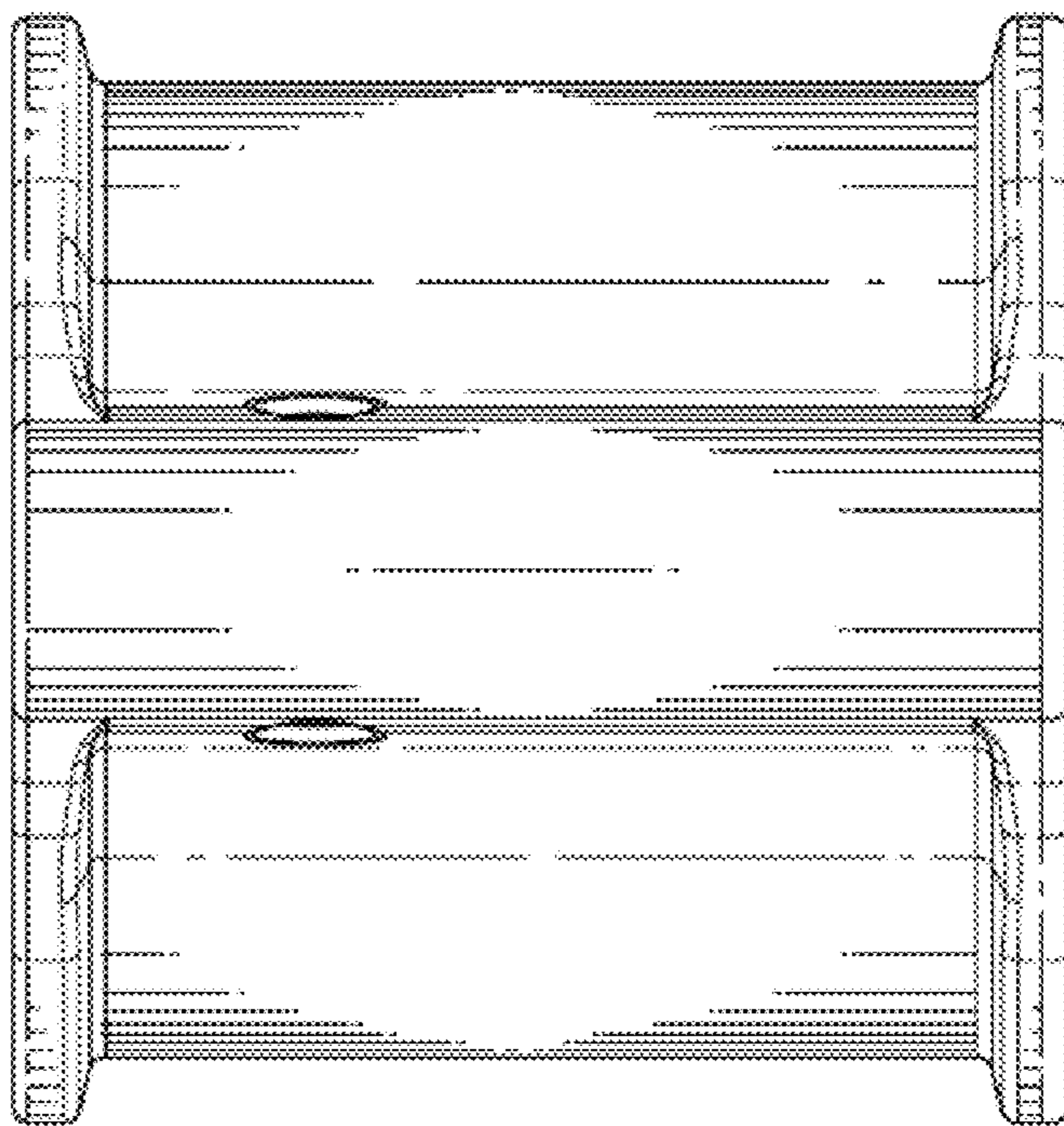


FIG. 1

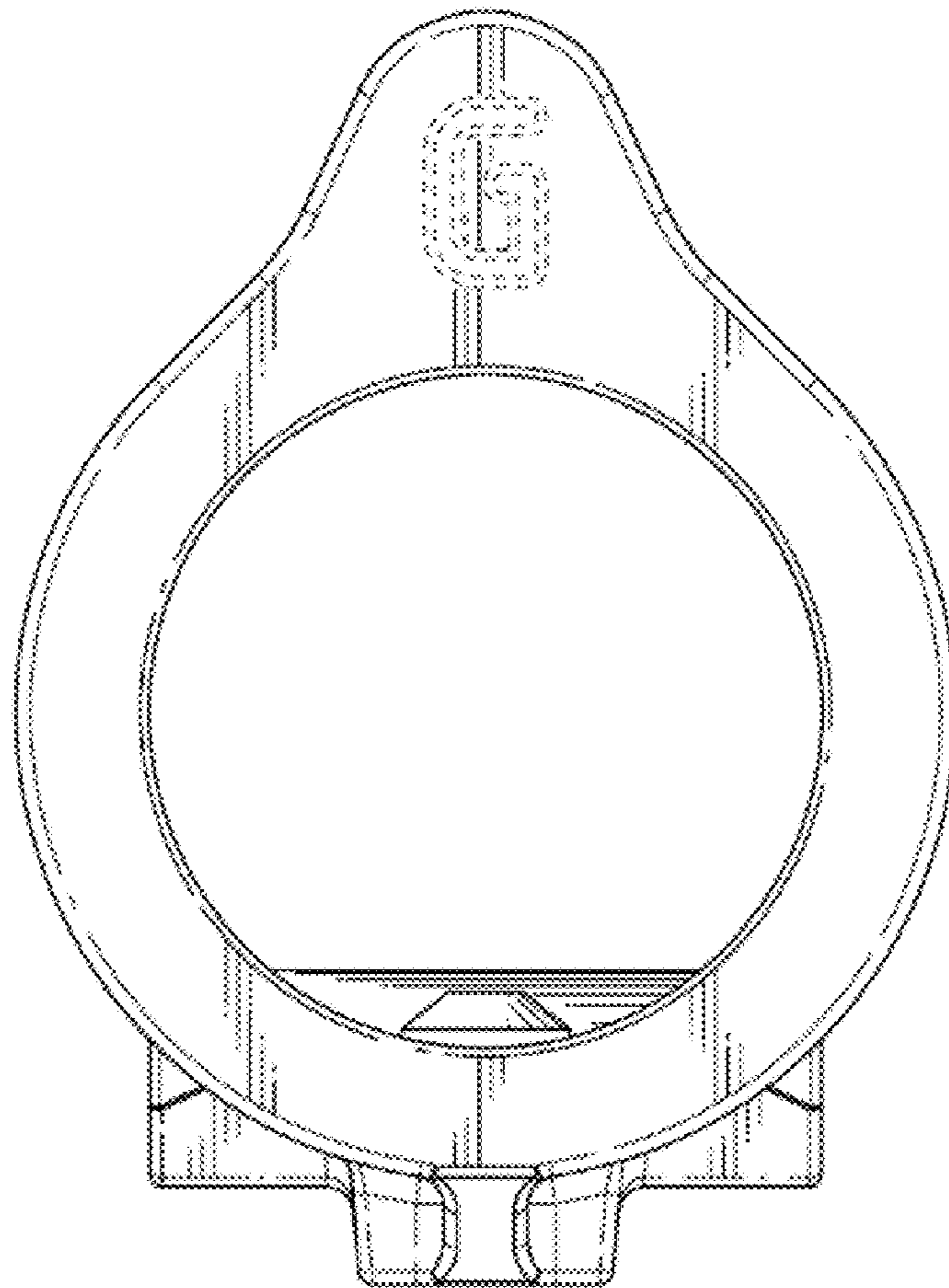


FIG. 2

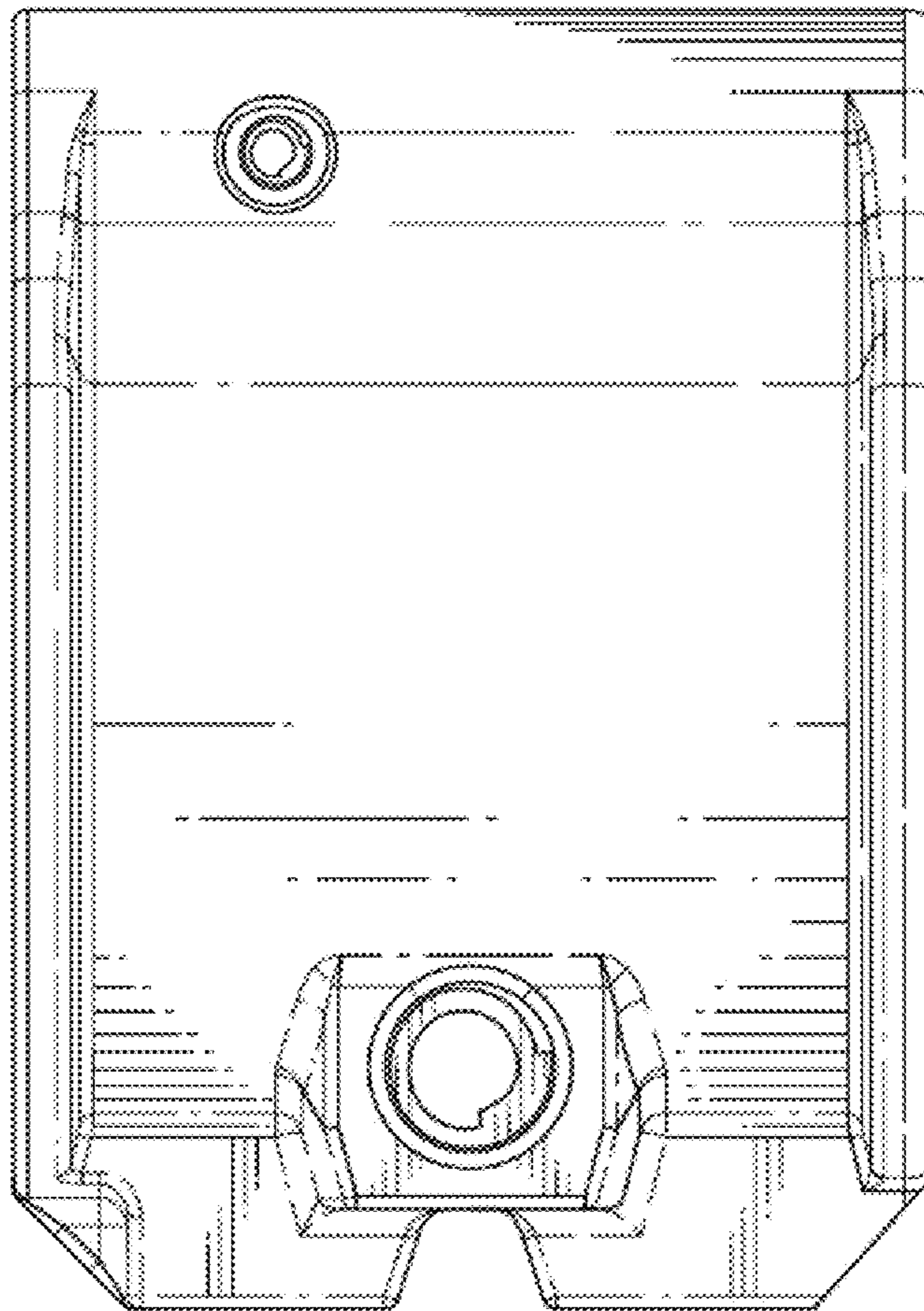


FIG. 3

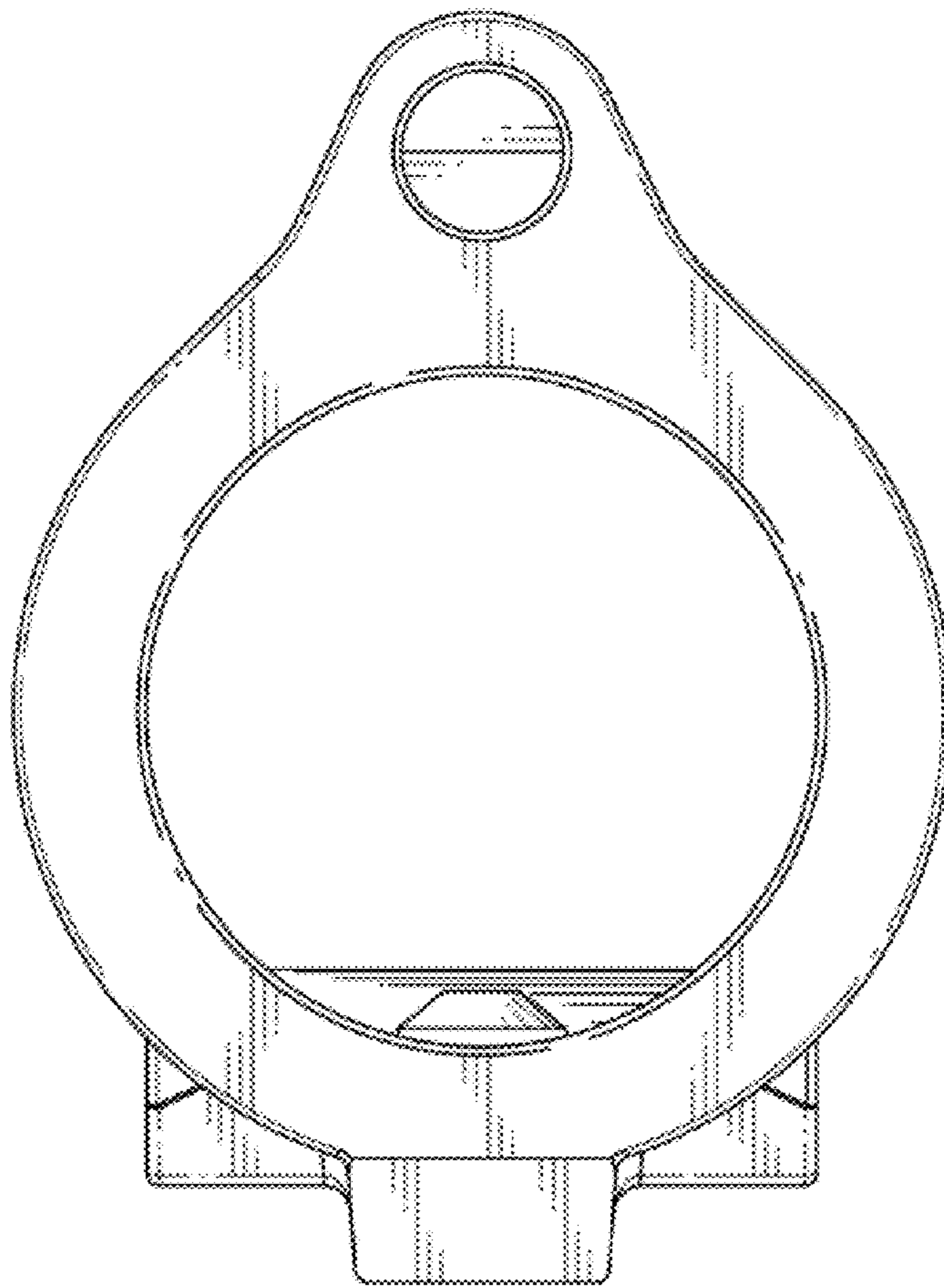


FIG. 4

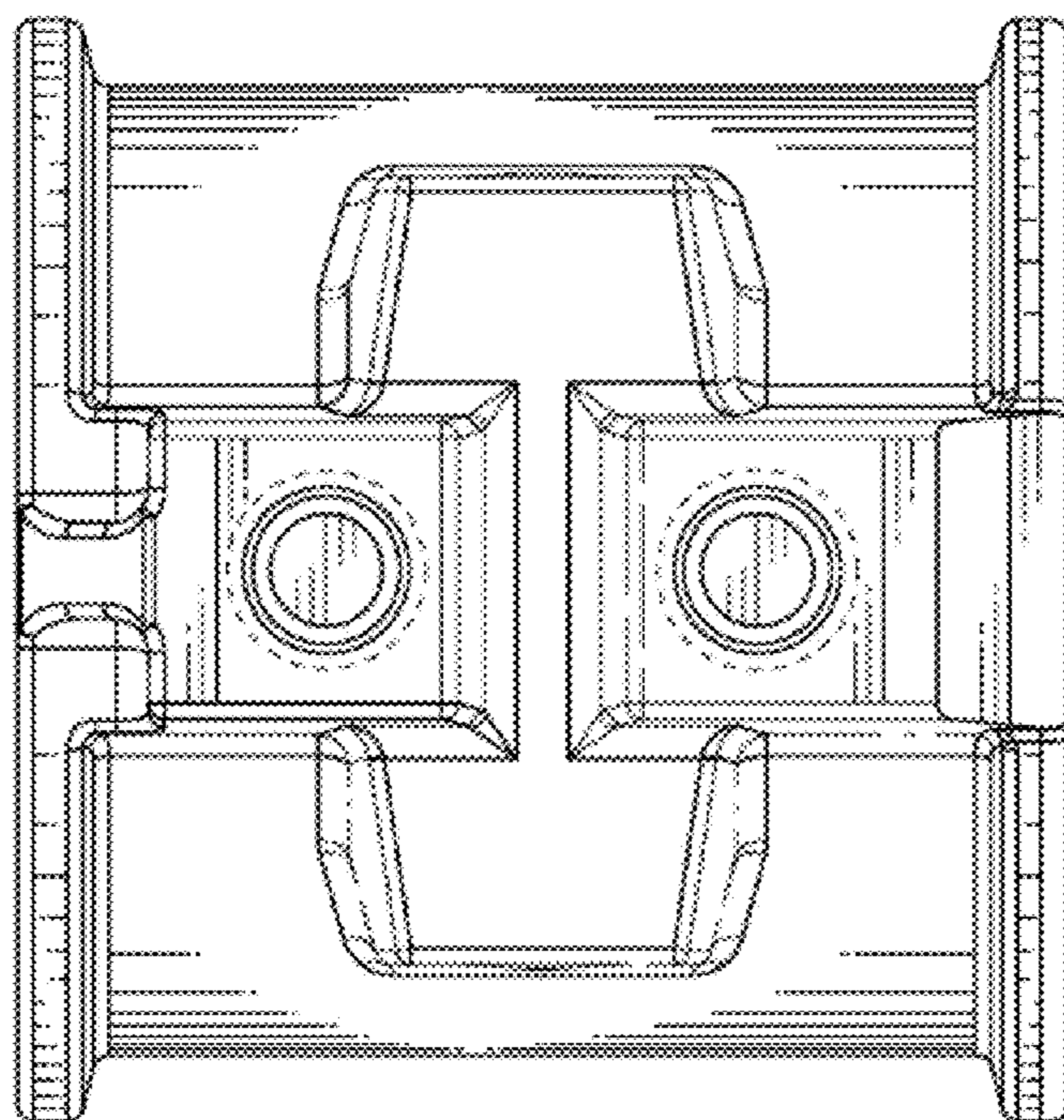


FIG. 5

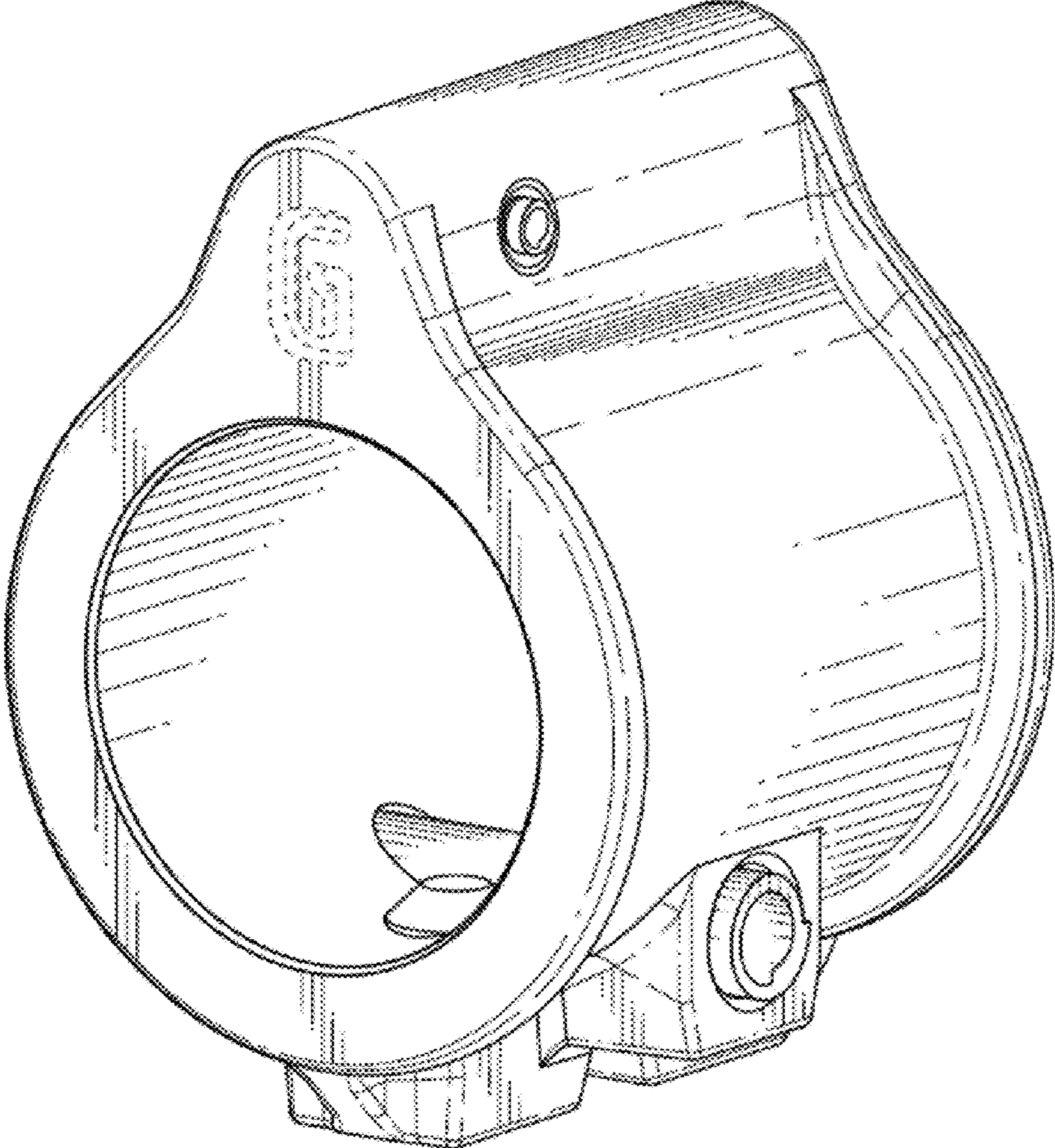


FIG. 6

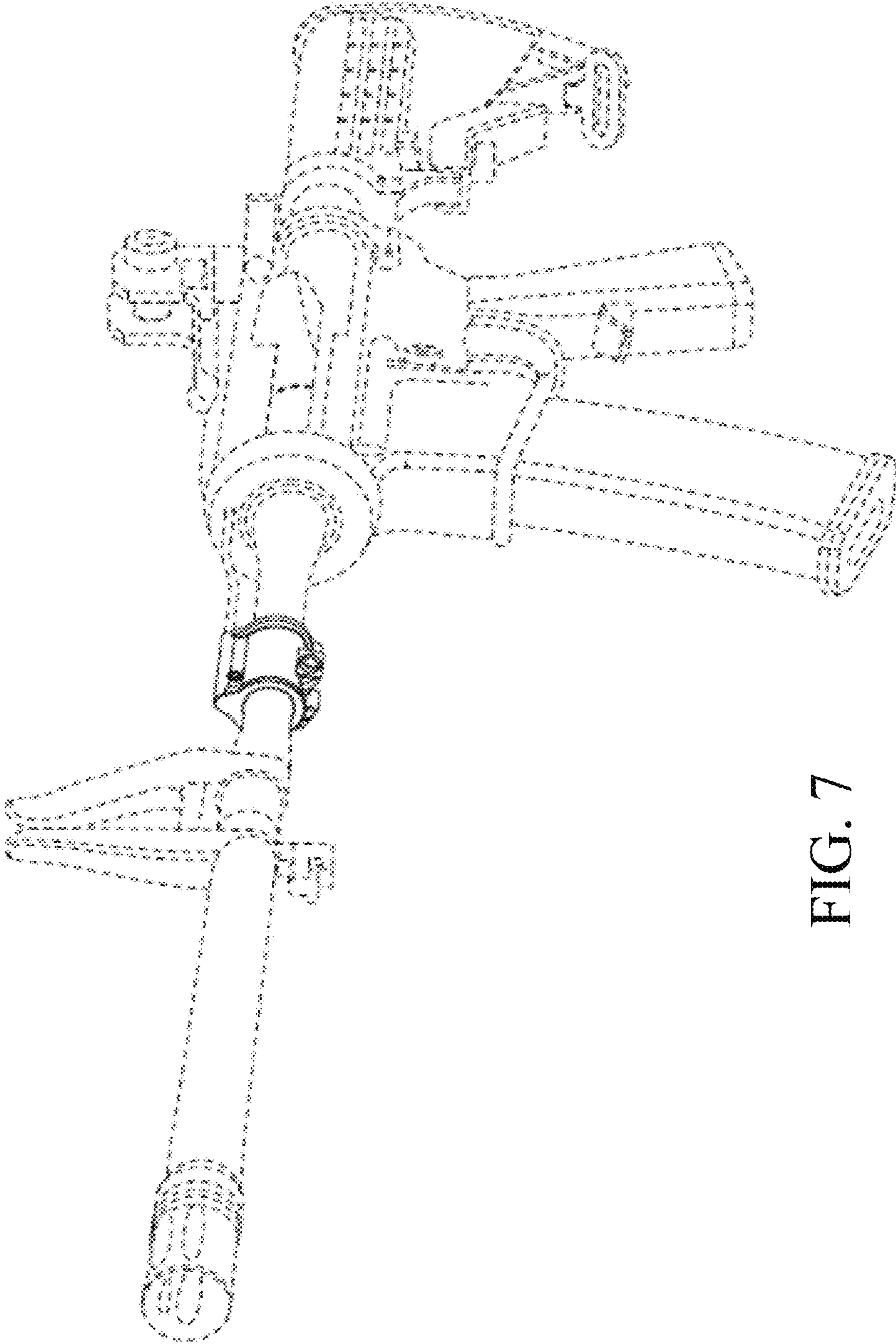


FIG. 7