



US00D705887S

(12) **United States Design Patent**
Fitzpatrick et al.

(10) **Patent No.:** **US D705,887 S**

(45) **Date of Patent:** **** May 27, 2014**

(54) **FIREARM GRIP**

(71) Applicant: **Magpul Industries Corporation**, Erie,
CO (US)

(72) Inventors: **Richard Fitzpatrick**, Longmont, CO
(US); **Michael T. Mayberry**, Denver,
CO (US); **Thomas Ward, Jr.**, Thornton,
CO (US); **Rick Zayatz**, Berthoud, CO
(US)

(73) Assignee: **Magpul Industries Corporation**, Erie,
CO (US)

(**) Term: **14 Years**

(21) Appl. No.: **29/441,004**

(22) Filed: **Dec. 29, 2012**

(51) **LOC (10) Cl.** **22-01**

(52) **U.S. Cl.**
USPC **D22/108**

(58) **Field of Classification Search**
USPC D22/100, 108, 199; D8/68;
42/71.01-74; 89/1.42
See application file for complete search history.

(56) **References Cited**

U.S. PATENT DOCUMENTS

6,658,781	B1	12/2003	Bowen	
7,121,034	B2	10/2006	Keng	
7,356,958	B2	4/2008	Weir	
D600,771	S *	9/2009	Fitzpatrick et al. D22/108
D606,614	S *	12/2009	Fitzpatrick et al. D22/103
D633,163	S	2/2011	Fitzpatrick	
D667,916	S	9/2012	Mayberry	
D692,517	S *	10/2013	Faifer D22/108
2005/0183317	A1 *	8/2005	Finn 42/72
2008/0052979	A1	3/2008	Lee	

2009/0038200 A1 2/2009 Keng
2010/0139144 A1* 6/2010 Fitzpatrick et al. 42/73
2012/0180359 A1* 7/2012 Fitzpatrick et al. 42/71.01

* cited by examiner

Primary Examiner — Michael A Pratt

(74) *Attorney, Agent, or Firm* — Swanson & Bratschun,
L.L.C.

(57) **CLAIM**

The ornamental design for a firearm grip, as shown and described.

DESCRIPTION

FIG. 1 is a front, top, right perspective view of a first embodiment of a firearm grip attached to a firearm showing our new design;

FIG. 2 is a front, bottom, right perspective view of the firearm grip of FIG. 1 with the firearm omitted;

FIG. 3 is a rear, bottom right view of the firearm grip of FIG. 1 with the firearm omitted;

FIG. 4 is a right side elevation view of the firearm grip of FIG. 1 with the firearm omitted, the left side elevation view being a mirror image thereof;

FIG. 5 is a front elevation view of the firearm grip of FIG. 1 with the firearm omitted;

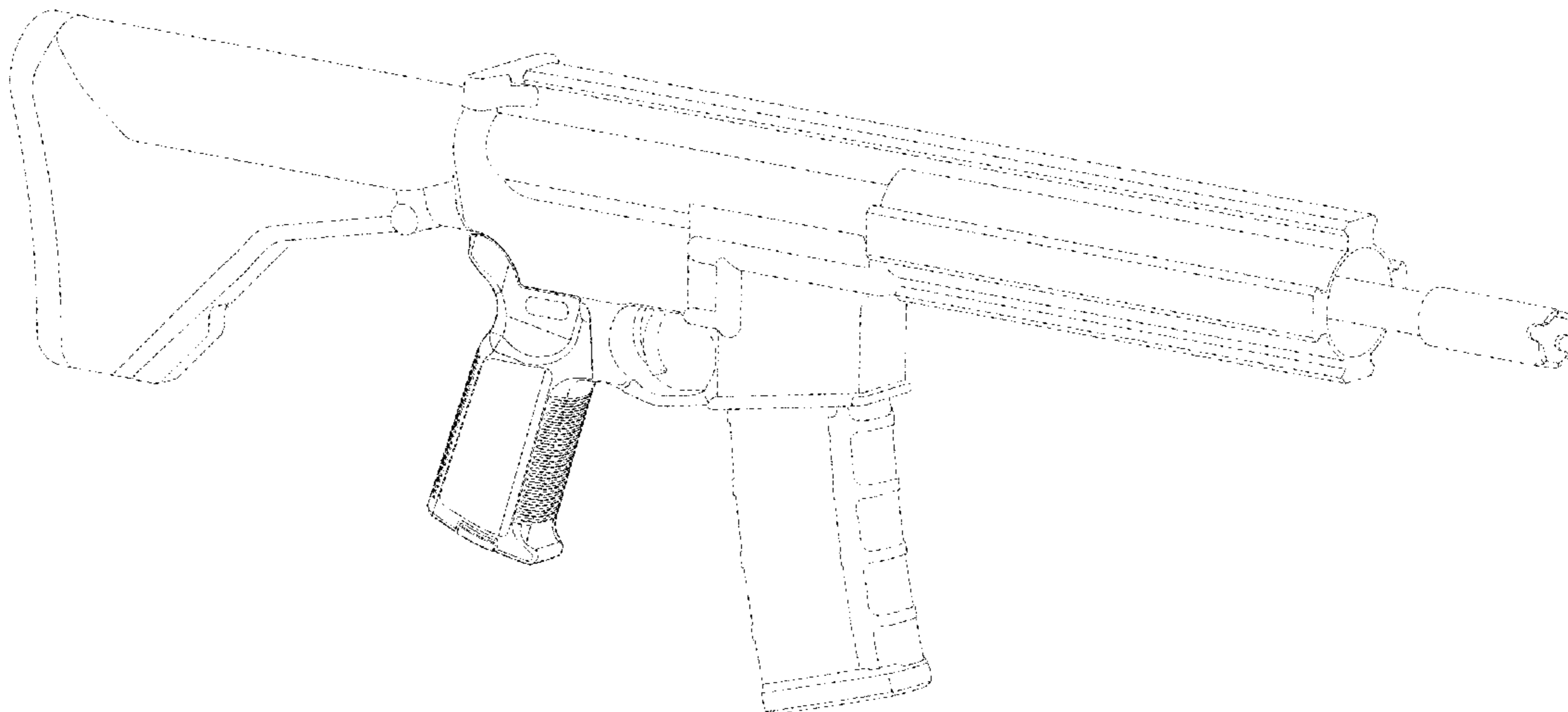
FIG. 6 is a rear elevation view of the firearm grip of FIG. 1 with the firearm omitted;

FIG. 7 is a top plan view of the firearm grip of FIG. 1 with the firearm omitted; and,

FIG. 8 is a bottom plan view of the firearm grip of FIG. 1 with the firearm omitted.

The broken lines showing portions of the design in all figures is included for the purpose of illustrating environment and unclaimed features and forms not part of the claimed design.

1 Claim, 6 Drawing Sheets



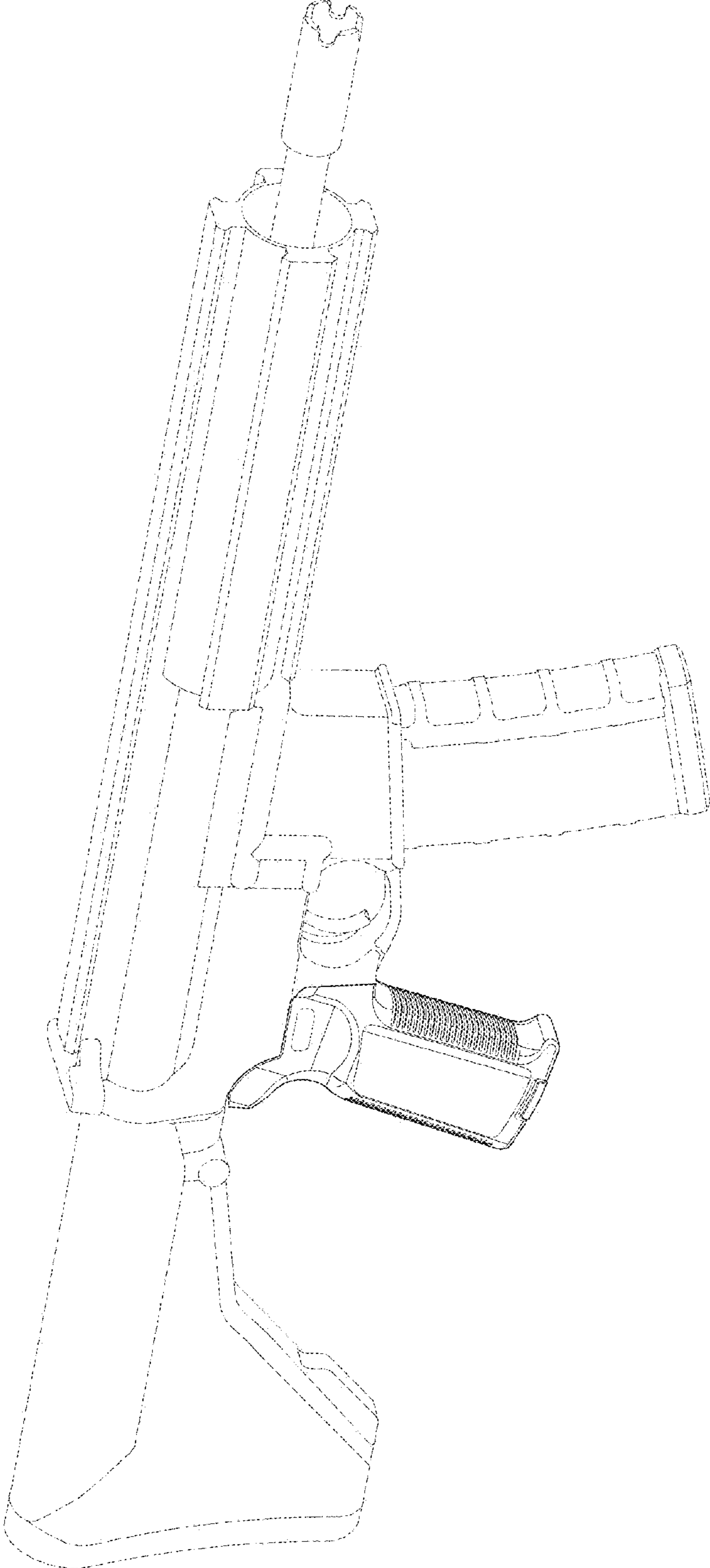


FIG. 1

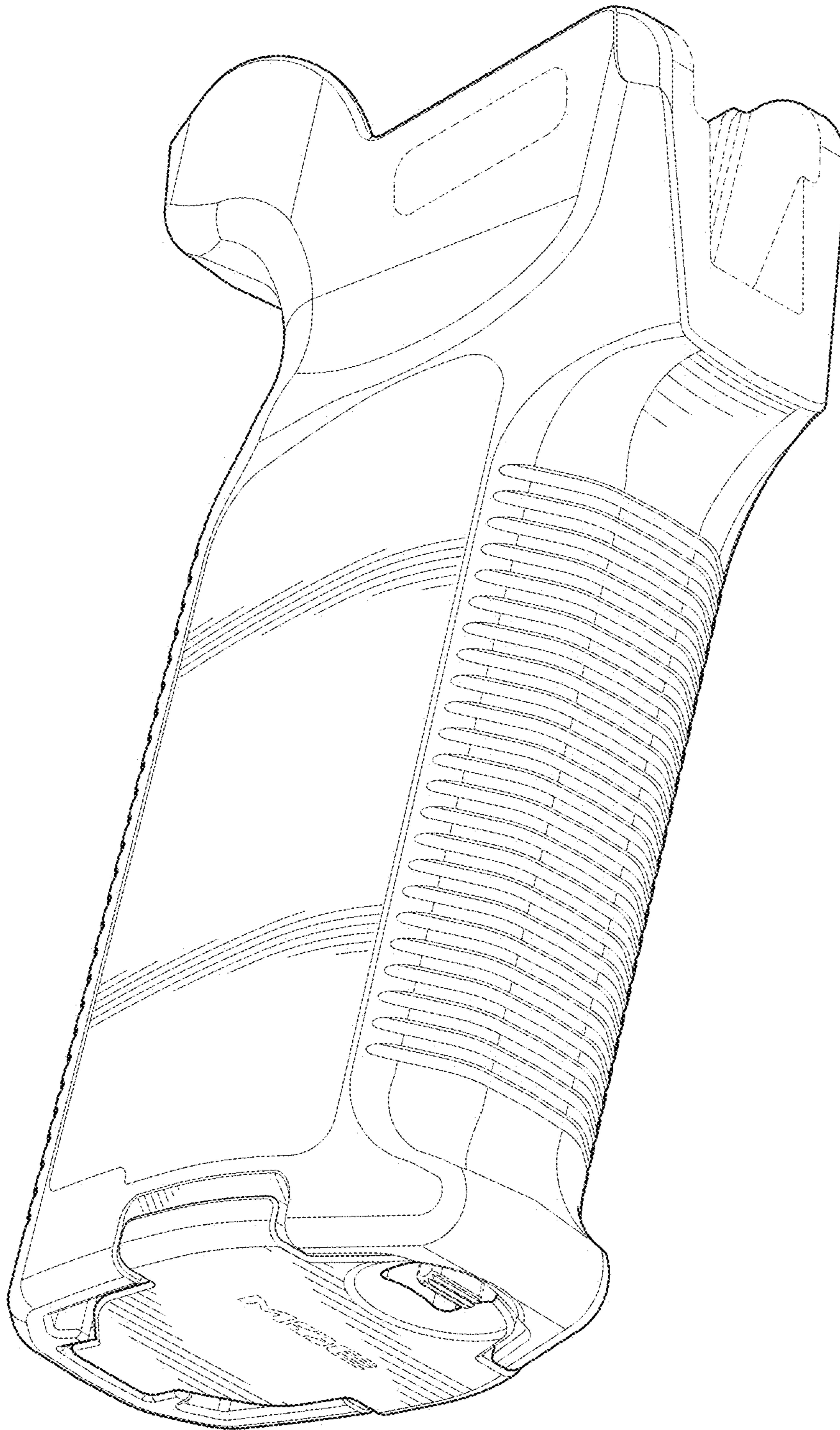


FIG. 2

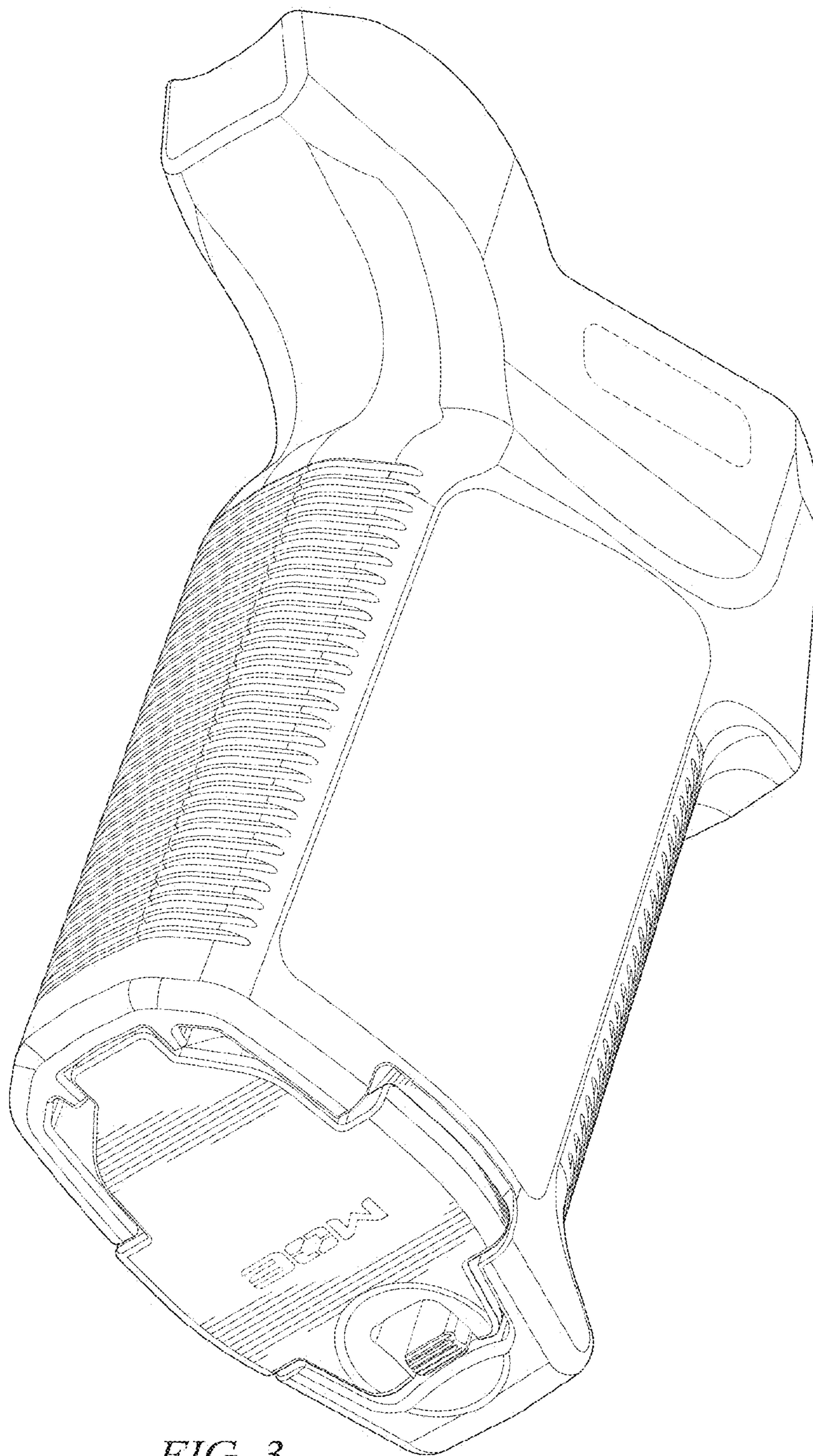


FIG. 3

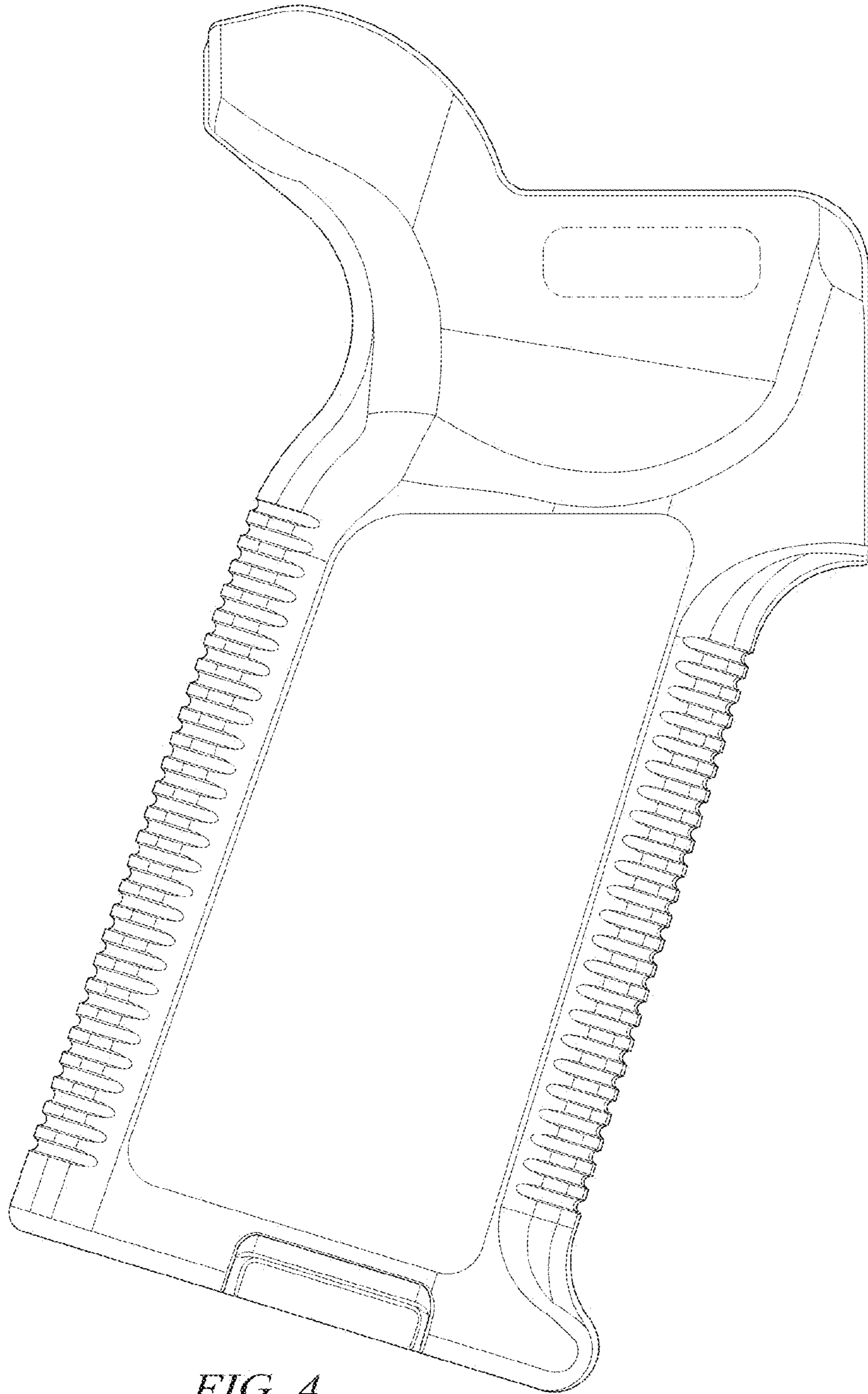


FIG. 4

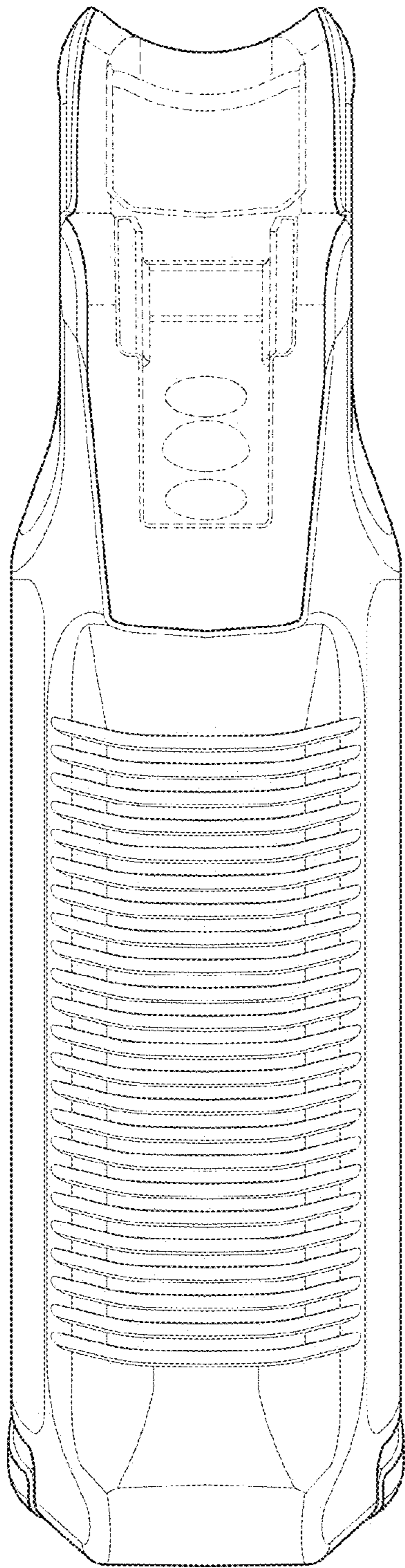


FIG. 5

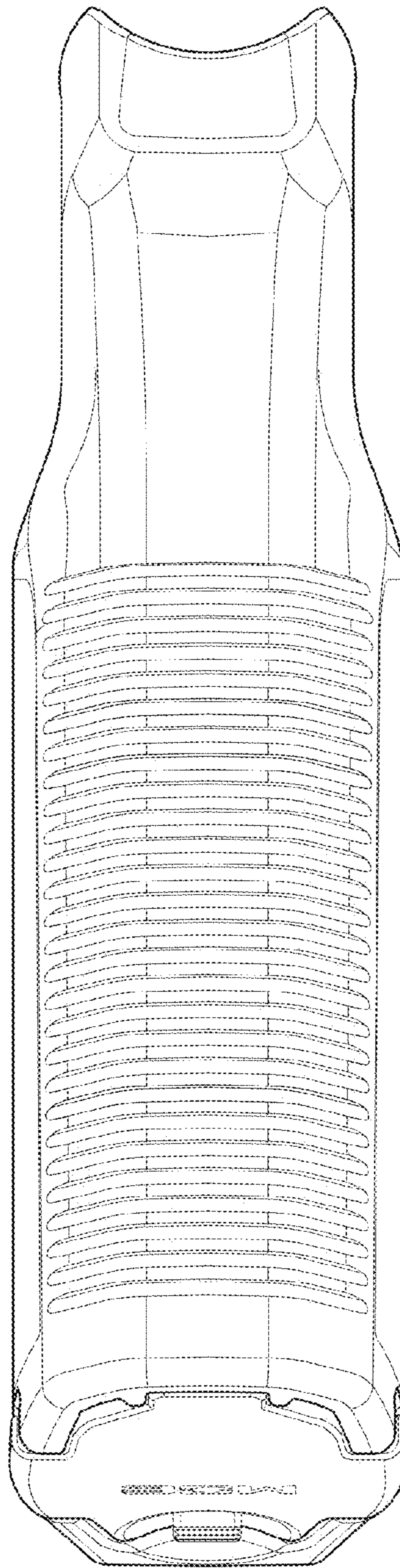


FIG. 6

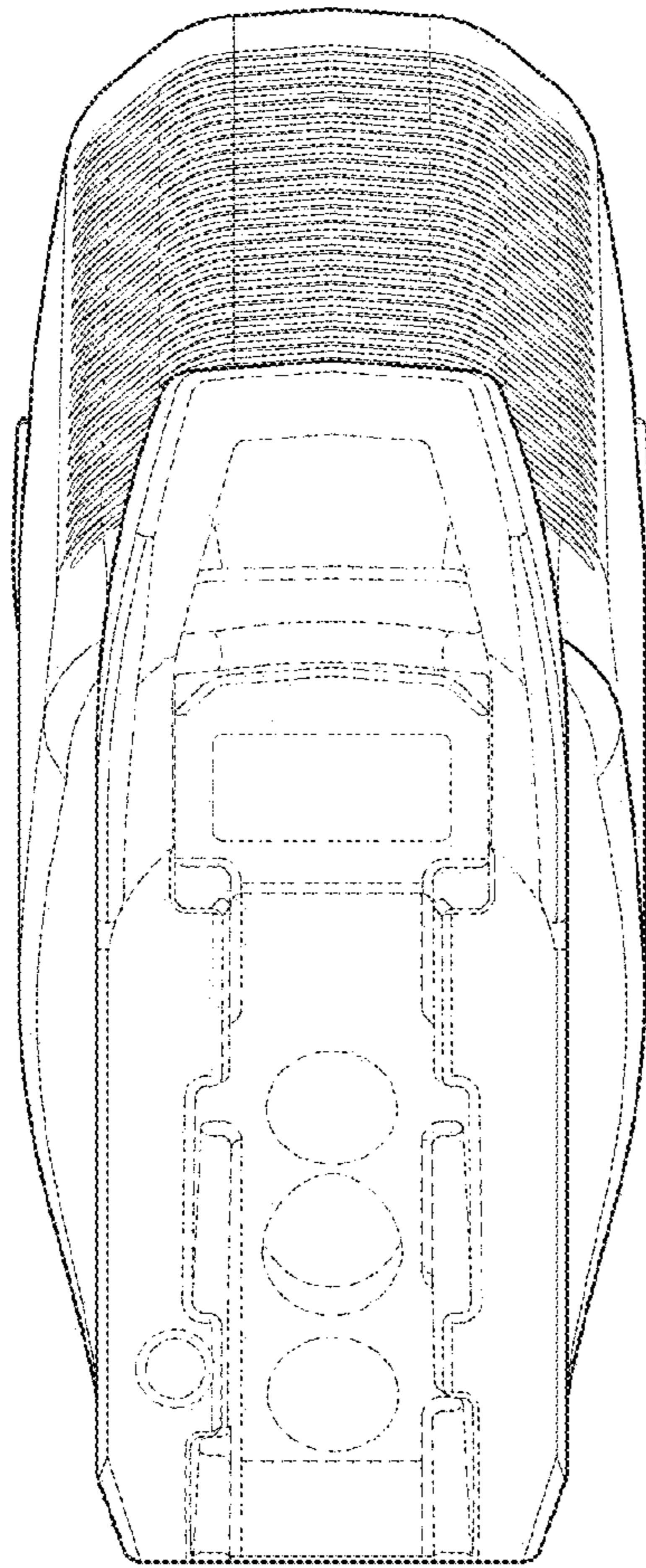


FIG. 7

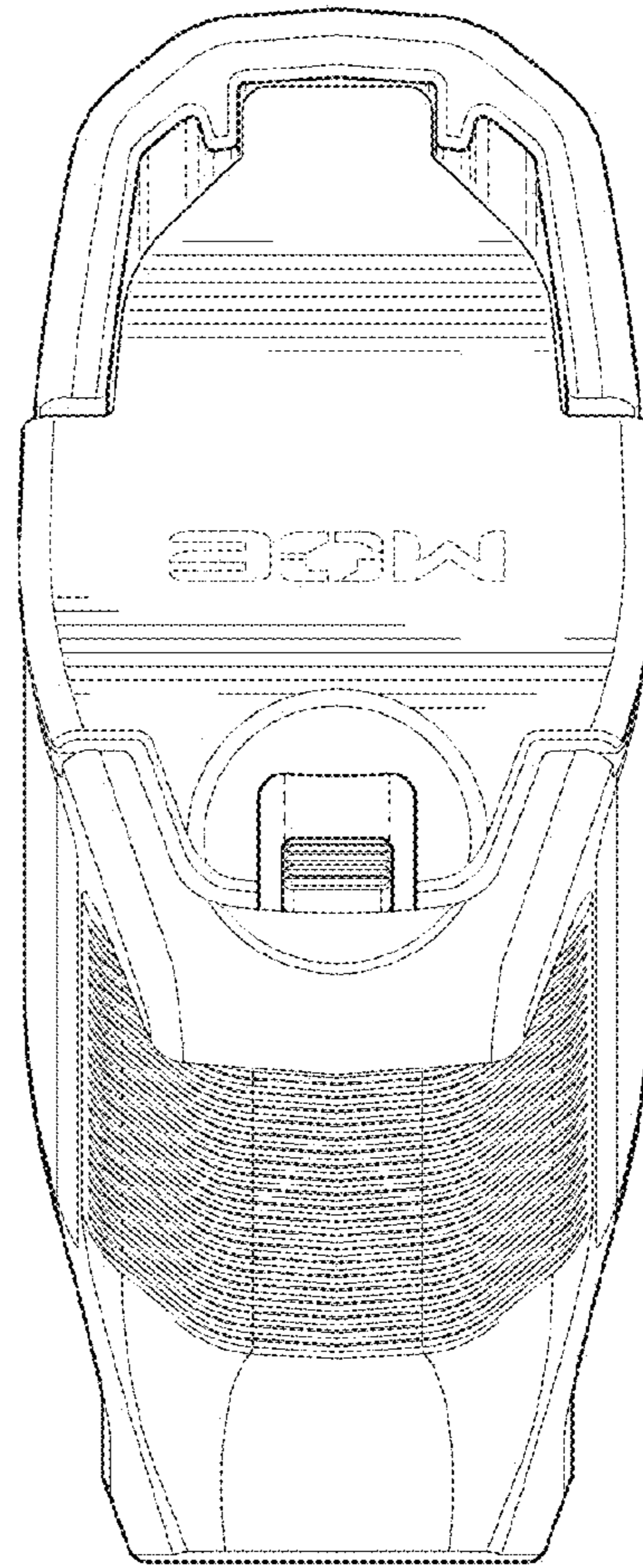


FIG. 8