



US00D705885S

(12) **United States Design Patent**
Peterson et al.

(10) **Patent No.:** **US D705,885 S**
(45) **Date of Patent:** **** May 27, 2014**

(54) **MONOLITHIC RAIL WITH INTEGRAL RECEIVER HEIGHT ADAPTER**

(71) Applicants: **Morris Peterson**, Earlysville, VA (US);
Matthew Peterson, Crozet, VA (US);
Charles Robert Overbey, Jr., Deland, FL (US); **Gary Vance**, Bristol, VA (US)

(72) Inventors: **Morris Peterson**, Earlysville, VA (US);
Matthew Peterson, Crozet, VA (US);
Charles Robert Overbey, Jr., Deland, FL (US); **Gary Vance**, Bristol, VA (US)

(73) Assignee: **Ashbury International Group, Inc.**,
Ruckersville, VA (US)

(**) Term: **14 Years**

(21) Appl. No.: **29/433,071**

(22) Filed: **Sep. 25, 2012**

Related U.S. Application Data

(60) Division of application No. 29/401,173, filed on Sep. 8, 2009, now Pat. No. Des. 676,095, which is a continuation-in-part of application No. 12/251,384, filed on Oct. 14, 2008.

(51) **LOC (10) Cl.** **22-01**

(52) **U.S. Cl.**
USPC **D22/108**; D22/109

(58) **Field of Classification Search**
USPC D22/100, 108–110, 199; 248/201,
248/205.1; 42/11, 72, 90, 85, 71.01, 75.02,
42/106, 113–114, 124–125, 127–128
See application file for complete search history.

(56) **References Cited**

U.S. PATENT DOCUMENTS

2,387,691 A 10/1945 Sunderland
3,209,481 A 10/1965 Gilbert

(Continued)

FOREIGN PATENT DOCUMENTS

DE 3743092 7/1988

OTHER PUBLICATIONS

“AW Rifle System”, Sales Brochure, Accuracy International Ltd., Apr. 7, 2006, available at http://www.accuracyinternational.com/assets/assets/aw_brochure.pdf.

(Continued)

Primary Examiner — Michael A Pratt

(74) *Attorney, Agent, or Firm* — Troutman Sanders LLP; Robert R. Elliott, Jr.

(57)

CLAIM

The ornamental design for a monolithic rail with integral receiver height adapter, as shown and described.

DESCRIPTION

FIG. 1 illustrates a perspective, side view of a new design for a monolithic accessory rail for tactical rifles with an integral, single channel receiver height adapter;

FIG. 2 illustrates a right side view of a new design for a monolithic accessory rail for tactical rifles with an integral, single channel receiver height adapter;

FIG. 3 illustrates a front view of a new design for a monolithic accessory rail for tactical rifles with an integral, single channel receiver height adapter;

FIG. 4 illustrates a left view of a new design for a monolithic accessory rail for tactical rifles with an integral, single channel receiver height adapter;

FIG. 5 illustrates a rear view of a new design for a monolithic accessory rail for tactical rifles with an integral, single channel receiver height adapter;

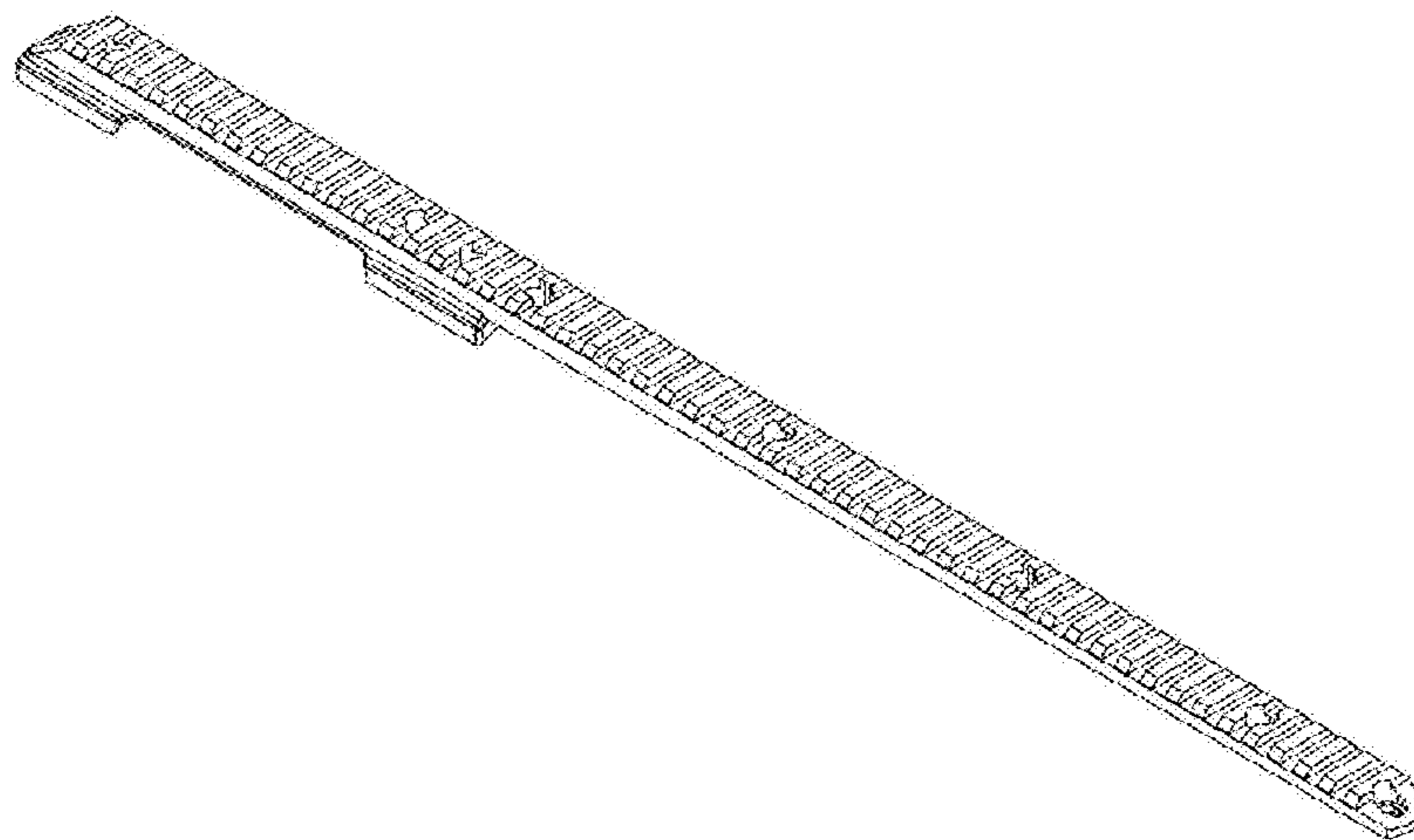
FIG. 6 illustrates a top view of a new design for a monolithic accessory rail for tactical rifles with an integral, single channel receiver height adapter;

FIG. 7 illustrates a bottom view of a new design for a monolithic accessory rail for tactical rifles with an integral, single channel receiver height adapter; and,

FIG. 8 illustrates an exploded, perspective view of a new design for a monolithic accessory rail for tactical rifles with an integral, single channel receiver height adapter.

The broken, dashed lines shown in the various figures depicting embodiments of the invention are included for the purpose of illustrating environment and do not form any part of the claimed design.

1 Claim, 8 Drawing Sheets



(56)

References Cited

U.S. PATENT DOCUMENTS

3,323,246 A 6/1967 Loffler
 3,369,316 A 2/1968 Miller
 3,512,290 A 5/1970 La Violette, Jr. et al.
 3,543,428 A 12/1970 Bronson
 3,618,249 A 11/1971 Grandy
 3,739,515 A 6/1973 Koon, Jr.
 3,830,003 A 8/1974 Clerke
 3,999,461 A 12/1976 Johnson et al.
 4,203,244 A 5/1980 Hickman
 4,383,384 A 5/1983 Fox
 4,402,152 A 9/1983 Casull
 4,430,822 A 2/1984 Fromming et al.
 4,651,455 A 3/1987 Geiser, Jr.
 4,674,216 A 6/1987 Ruger et al.
 4,685,237 A 8/1987 Hugg
 4,735,007 A 4/1988 Gal
 D297,855 S 9/1988 Ruger et al.
 4,790,095 A 12/1988 Campos
 D304,062 S 10/1989 Barrett
 D304,223 S 10/1989 Ruger et al.
 4,887,374 A 12/1989 Santarossa
 4,920,677 A 5/1990 Schuerman
 4,944,109 A 7/1990 Zedrosser
 5,020,260 A 6/1991 Houghton
 5,048,215 A 9/1991 Davis
 D324,557 S 3/1992 Livingston
 5,149,899 A 9/1992 Dabrowski
 5,173,564 A 12/1992 Hammond, Jr.
 5,209,215 A 5/1993 Morrison
 5,417,002 A 5/1995 Guerra
 5,440,963 A 8/1995 Szecsei
 5,590,484 A 1/1997 Mooney et al.
 5,642,581 A 7/1997 Herold et al.
 5,711,102 A 1/1998 Plaster et al.
 D391,334 S 2/1998 Plaster et al.
 D403,043 S 12/1998 Spekner
 5,900,577 A 5/1999 Robinson et al.
 5,987,797 A 11/1999 Dustin
 D435,885 S 1/2001 Wallace
 6,293,040 B1 9/2001 Luth
 6,487,805 B1 12/2002 Reynolds
 6,497,065 B1 12/2002 Huston
 6,591,533 B2 7/2003 Wygant
 6,598,329 B1 7/2003 Alexander
 6,598,330 B2 7/2003 Garrett et al.
 6,637,142 B1 10/2003 Reynolds
 D487,792 S 3/2004 Selvaggio
 D500,114 S 12/2004 Oz
 6,836,990 B2 1/2005 Shiloni
 6,839,998 B1 1/2005 Armstrong
 D510,401 S 10/2005 Murello et al.
 D517,637 S 3/2006 Murello et al.
 7,024,812 B2 4/2006 Nelson
 7,131,228 B2 11/2006 Hochstrate et al.
 7,152,355 B2 12/2006 Fitzpatrick et al.
 7,162,823 B2 1/2007 Schoppman et al.
 7,313,883 B2 1/2008 Leitner-Wise
 7,325,351 B1 2/2008 Leung
 D567,895 S 4/2008 Cauley
 7,386,952 B1 6/2008 Henretty
 D577,094 S 9/2008 Wallace
 7,428,795 B2 9/2008 Herring
 D584,373 S 1/2009 Young
 7,481,016 B2 1/2009 Gonzalez
 7,571,562 B2 8/2009 Sutherby
 7,574,823 B2 8/2009 Nakayama
 D600,307 S 9/2009 Fitzpatrick et al.
 D603,013 S 10/2009 Fitzpatrick et al.
 D604,793 S 11/2009 Fitzpatrick et al.
 D606,614 S 12/2009 Fitzpatrick et al.
 D607,078 S 12/2009 Chu
 D610,218 S 2/2010 Barrett
 D634,389 S 3/2011 Lin et al.
 D637,683 S 5/2011 Salsman, Sr.
 8,104,211 B2 1/2012 Darian

D654,134 S 2/2012 Edge et al.
 8,141,285 B2 3/2012 Brown
 8,156,678 B2 4/2012 Hoel et al.
 8,191,300 B2 6/2012 Daniel
 8,230,634 B1 7/2012 Davies et al.
 2003/0051385 A1 3/2003 Wygant
 2003/0110675 A1 6/2003 Garrett et al.
 2003/0230022 A1 12/2003 Battaglia
 2004/0000083 A1 1/2004 Grant, Jr.
 2004/0211104 A1 10/2004 Eberle
 2004/0226212 A1 11/2004 Shiloni
 2005/0000142 A1 1/2005 Kim et al.
 2005/0183317 A1 8/2005 Finn
 2005/0229466 A1 10/2005 Muhlestein
 2005/0241206 A1 11/2005 Teetzel et al.
 2005/0241211 A1 11/2005 Swan
 2005/0262752 A1 12/2005 Robinson et al.
 2006/0010748 A1 1/2006 Stoner et al.
 2006/0010749 A1 1/2006 Kincel
 2006/0026883 A1 2/2006 Hochstrate et al.
 2006/0048424 A1 3/2006 Weir
 2006/0162227 A1 7/2006 Samson
 2006/0174532 A1 8/2006 Popikow
 2006/0236582 A1 10/2006 Lewis et al.
 2006/0242880 A1 11/2006 Griffin
 2006/0254111 A1 11/2006 Giauque et al.
 2006/0277810 A1 12/2006 Leitner-Wise
 2006/0283067 A1 12/2006 Herring
 2007/0089347 A1 4/2007 Webber et al.
 2007/0130817 A1 6/2007 Ballard
 2007/0199225 A1 8/2007 Haugen
 2007/0199435 A1 8/2007 Hochstrate et al.
 2008/0028662 A1 2/2008 Abraham
 2008/0092422 A1 4/2008 Daniel et al.
 2008/0168695 A1 7/2008 Nakayama
 2008/0190005 A1 8/2008 Rohrauer
 2008/0216377 A1 9/2008 Rohrauer
 2008/0236016 A1 10/2008 Fitzpatrick et al.
 2008/0236017 A1 10/2008 Fitzpatrick et al.
 2009/0007477 A1 1/2009 Robinson et al.
 2009/0277067 A1 11/2009 Gregg
 2009/0288324 A1 11/2009 Peterson et al.
 2010/0212201 A1 8/2010 Kincel et al.
 2010/0319231 A1 12/2010 Stone et al.
 2012/0079752 A1 4/2012 Peterson et al.
 2012/0102803 A1 5/2012 Troy et al.
 2013/0061504 A1* 3/2013 Malherbe et al. 42/84

OTHER PUBLICATIONS

“AICS (Accuracy International Chassis System) Upgrade Kit for Remington 700”, Sales Brochure, Accuracy International Ltd. Apr. 7, 2006, available at http://www.accuracyinternational.com/assets/aics_brochure.pdf.
 “Timberwolf 338 Lapua”, Webpage, Colt Canada Corp., Jun. 25, 2007, available at <http://www.coltcanada.com/timberwolf-page.htm>.
 “Colt Canada” C7 Rifle Sales Catalog, Colt Canada Corp., Feb. 21, 2008, available at <http://www.coltcanada.com/PDF%20Forms/CC-cat-web.pdf>.
 “Owner’s and Maintenance Manual for Sako TRG 22/42 Sharpshooting System”, Owners Manual, Sako Ltd., Sep. 2, 1993, available at http://www.sako.fi/pdf/manuals/TRG22_42.pdf.
 “Specification—Sako TRG Sharpshooting System”, Specification, Sako Ltd., Sep. 28, 2001, available at <http://www.sako.fi/pdf/specs/TRG.pdf>.
 “Hecate II: Long-Range Anti-Material Rifle”, Sales Brochure, PGM Precision, Dec. 12, 2008, available at http://www.pgmprecision.com/uploads/pdf/hecate_2008_en.pdf.
 “A.M.S.D. Sniper Rifle”, Specification, Advanced Military System Design, Apr. 21, 2006, available at <http://www.amsd.ch/products/nemesis/om50nemesis.pdf>.
 “Sako Export 2008”, Sales Catalog, Sako Ltd., Apr. 1, 2008, available at http://www.sako.fi/pdf/sao_export_2008.pdf.
 “JP MOR-07 Manually Operated Rifle”, Webpage, J.P. Enterprises, Inc., Jan. 5, 2007, available at <http://www.jp Rifles.com/1.2.6.php>.
 “MBAR”, Webpage, HALo Arms, LLC, Dec. 12, 2006, available at <http://www.haloarms.com/MBAR.html>.

(56)

References Cited

OTHER PUBLICATIONS

“MP-MODSS (McCree’s Precision Modular Stock System)”, Webpage, McCree’s Multi Services, Aug. 16, 2007, available at <http://www.mcreeprecision.net/index.htm>.

“Specification—Sako TRG Sharpshooting System”, Specification, Sako Ltd., Dec. 19, 2008, available at <http://www.sako.fi/pdf/specs/TRG.pdf>.

“A.R.M.S. #50 M-CV, #58 M-CV and #58 M-CV MOD S.I.R. System”, Sales Brochure, A.R.M.S., Inc., Nov. 5, 2009, available at <http://www.armsmounts.com/manuals/50M-CV%20Manual.pdf>.

“Federal XC900”, Jan. 13, 2009, available online at <http://gunsny.com/view-prop.php?id=181&name+Federal-XC900>.

“Remington Law Enforcement 2007 Catalog”, Remington Arms Company, Inc., 2007, 37 Pages.

* cited by examiner

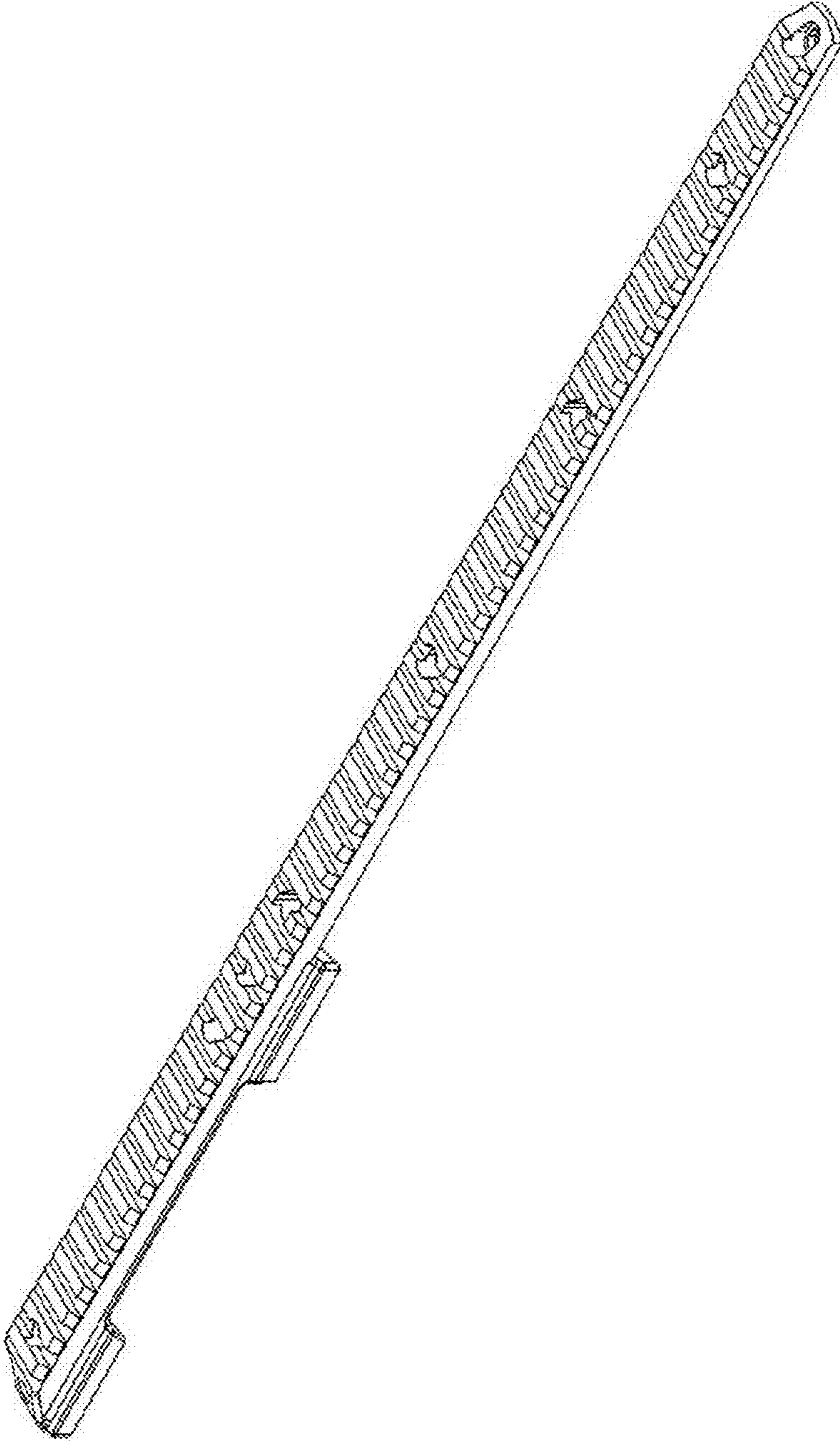


Fig. 1

Fig. 2

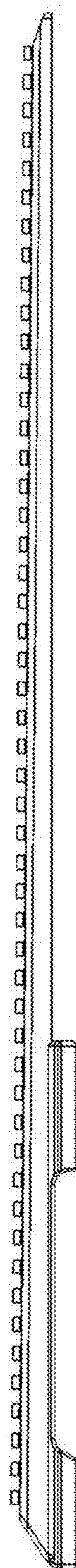


Fig. 3

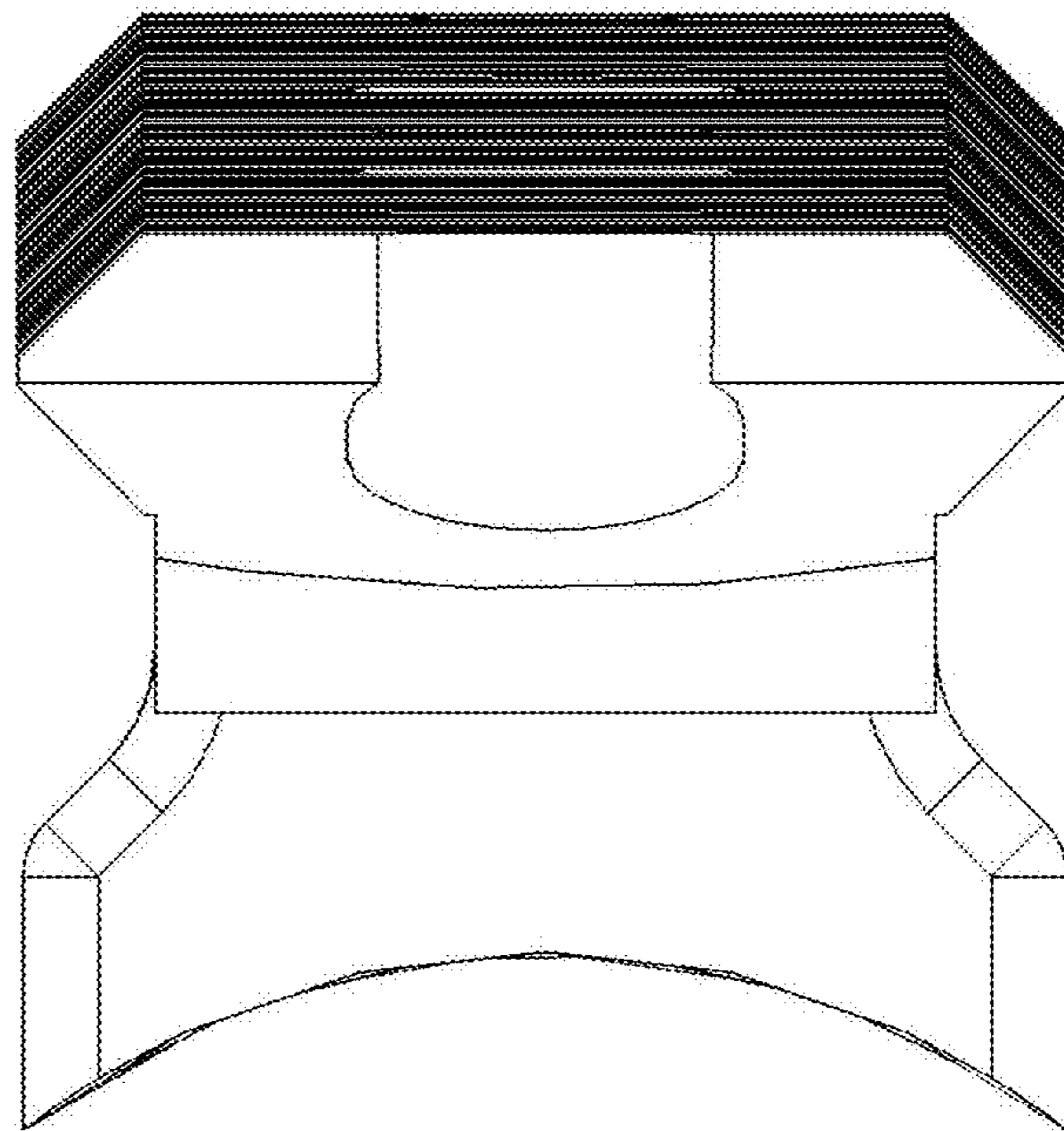


Fig. 4

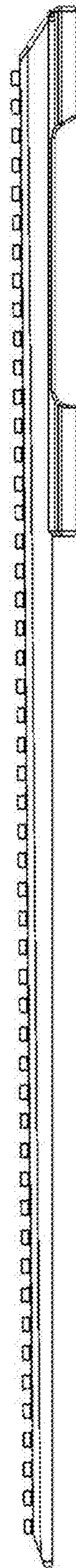
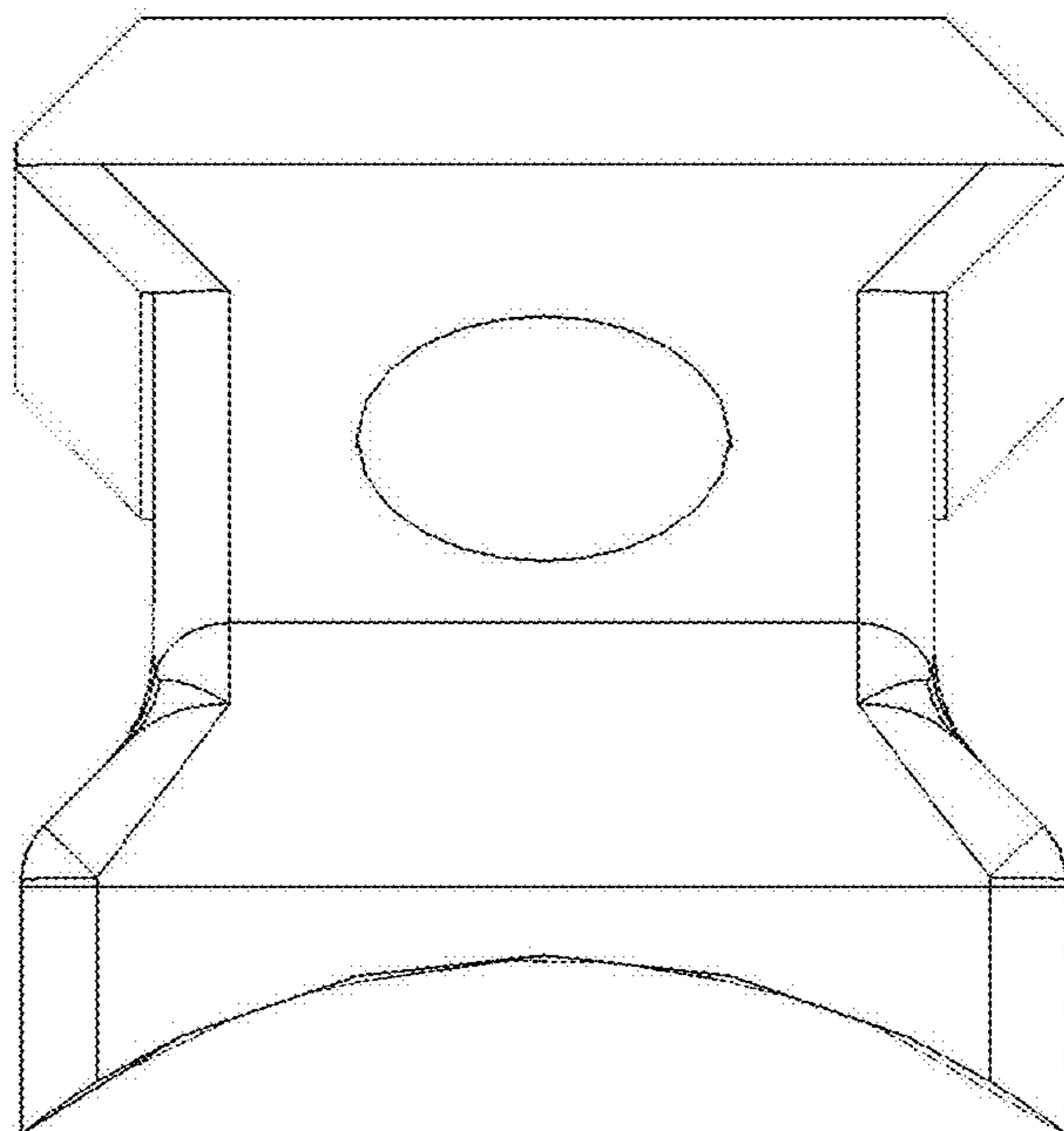


Fig. 5



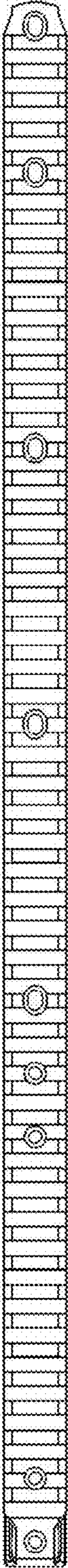


Fig. 6

Fig. 7



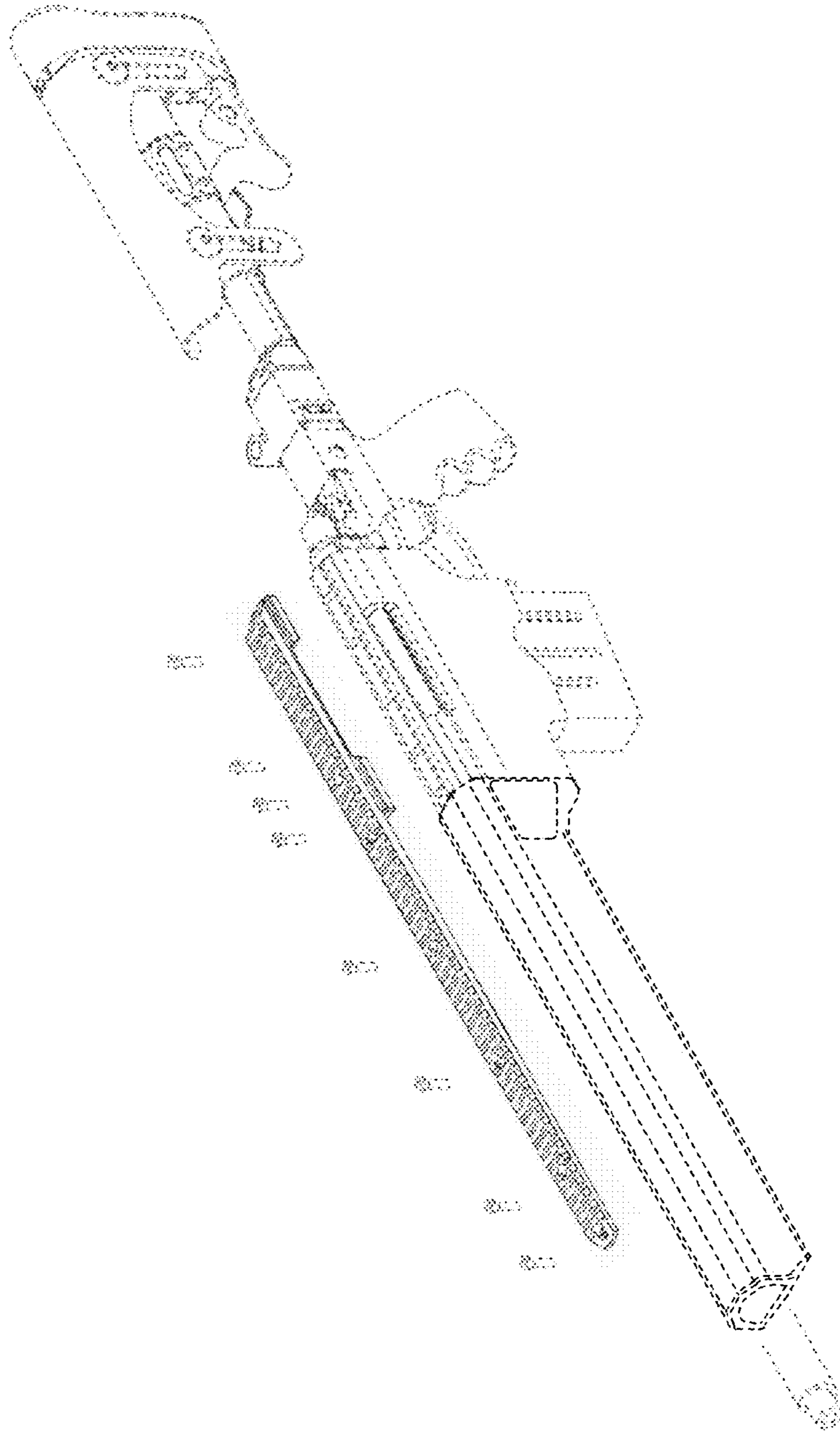


Fig. 8