

US00D705878S

(12) **United States Design Patent**  
**Humphrey**

(10) **Patent No.:** **US D705,878 S**

(45) **Date of Patent:** **\*\* May 27, 2014**

(54) **THREE-PART GOLF TEE**

(76) Inventor: **Robert J. Humphrey**, Fallbrook, CA  
(US)

(\*\*) Term: **14 Years**

(21) Appl. No.: **29/406,992**

(22) Filed: **Nov. 21, 2011**

5,885,174 A	3/1999	Barnes	
6,062,989 A	5/2000	Wagner et al.	
6,083,121 A	7/2000	Hovey	
6,086,486 A	7/2000	Murphy et al.	
6,110,060 A	8/2000	Spoto	
6,328,663 B1	12/2001	Lipstock	
6,659,775 B1 *	12/2003	Moy	434/252
6,949,033 B1	9/2005	Mydland	
D516,146 S *	2/2006	Iacono et al.	D21/718
D518,537 S *	4/2006	Lee et al.	D21/717
7,052,416 B2 *	5/2006	Chang	473/396
7,094,163 B2 *	8/2006	Lu et al.	473/396

(Continued)

**Related U.S. Application Data**

(63) Continuation-in-part of application No. 12/493,201,  
filed on Jun. 28, 2009, now abandoned.

(51) **LOC (10) Cl.** ..... **21-02**

(52) **U.S. Cl.**  
USPC ..... **D21/717**

(58) **Field of Classification Search**  
USPC ..... D21/717-721, 722-759, 789-796;  
473/132, 387-408  
See application file for complete search history.

(56) **References Cited**

**U.S. PATENT DOCUMENTS**

1,413,496 A	4/1922	Sibbald	
1,779,995 A	10/1930	Trane	
1,936,625 A	11/1933	Goldman	
2,079,387 A	5/1937	Sickmiller	
2,531,470 A *	11/1950	Rickard	473/396
3,406,977 A	10/1968	Voelkerding	
D216,904 S *	3/1970	Van Skyhawk	D21/720
3,858,878 A	1/1975	Tassone	
D266,860 S *	11/1982	Nelson	D21/717
D270,463 S *	9/1983	Minotti	D21/717
D306,751 S *	3/1990	Orton	D21/717
5,156,403 A	10/1992	Martino	
5,248,144 A	9/1993	Ullerich	
D393,301 S *	4/1998	Koskela	D21/718
5,766,100 A	6/1998	Dilmore	
5,776,014 A	7/1998	Gustine	

**OTHER PUBLICATIONS**

Fiberbuilt (R) Golf Products website display as of Jun. 27, 2009 at  
<http://fiberbuilt.com/golf/601.html>.

*Primary Examiner* — Catherine Tuttle  
(74) *Attorney, Agent, or Firm* — Mastermind IP Law P.C.;  
Diane L. Gardner

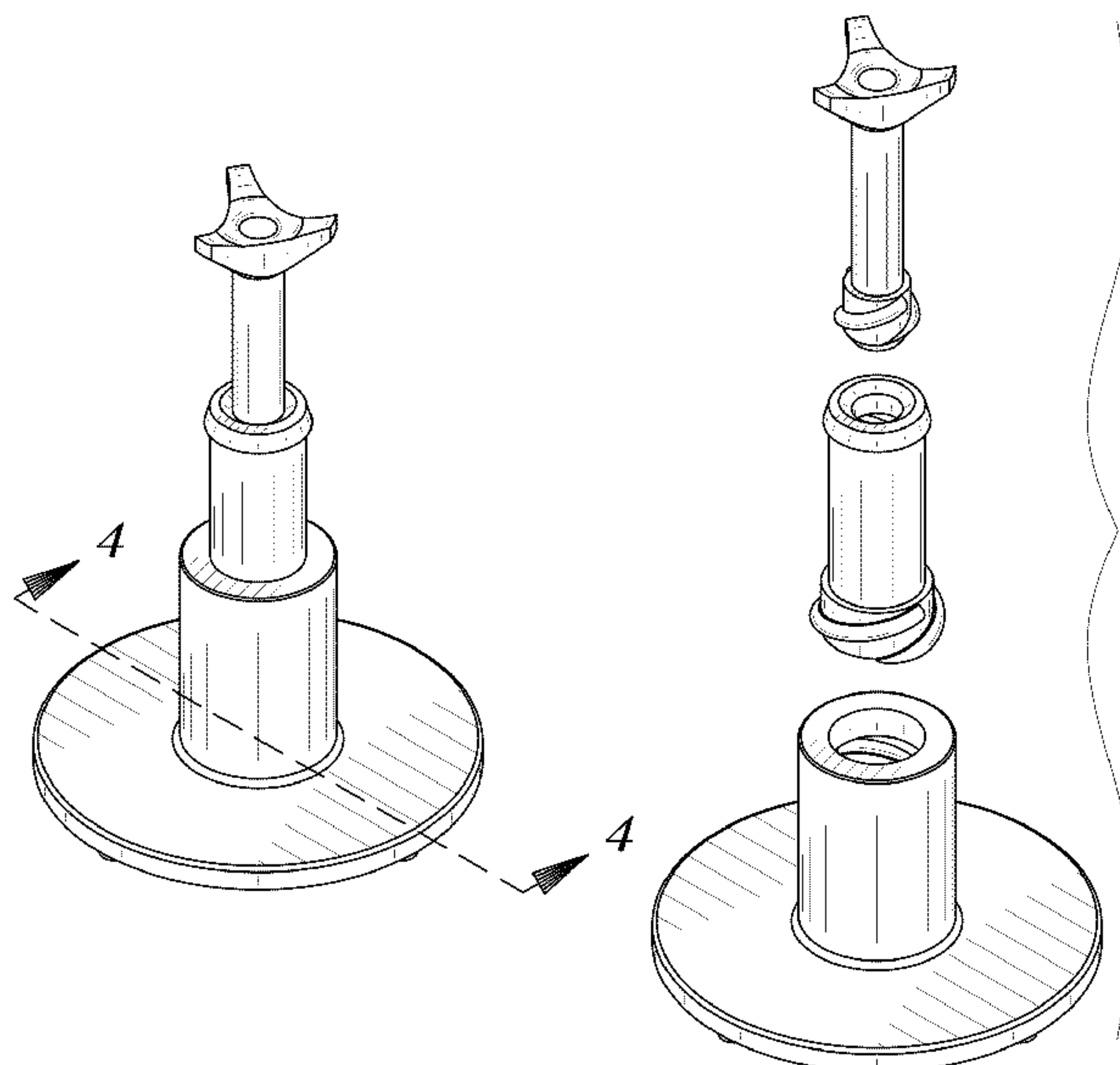
(57) **CLAIM**

The ornamental design for the three-part golf tee, as shown  
and described.

**DESCRIPTION**

FIG. 1 is an isometric view of the golf tee showing my new  
design with the stem and middle parts in a raised position;  
FIG. 2 is an isometric view showing the design with the stem  
and middle parts in a lowered position;  
FIG. 3 is an exploded isometric view thereof;  
FIG. 4 is a cross sectional view taken along line 4-4 of FIG. 1;  
and,  
FIG. 5 is an isometric view showing the design with the stem  
and middle parts in partially raised position.  
The appearance within the unshaded circular area showing  
within the top end in FIGS. 1-5 forms no part of the claimed  
design.

**1 Claim, 2 Drawing Sheets**



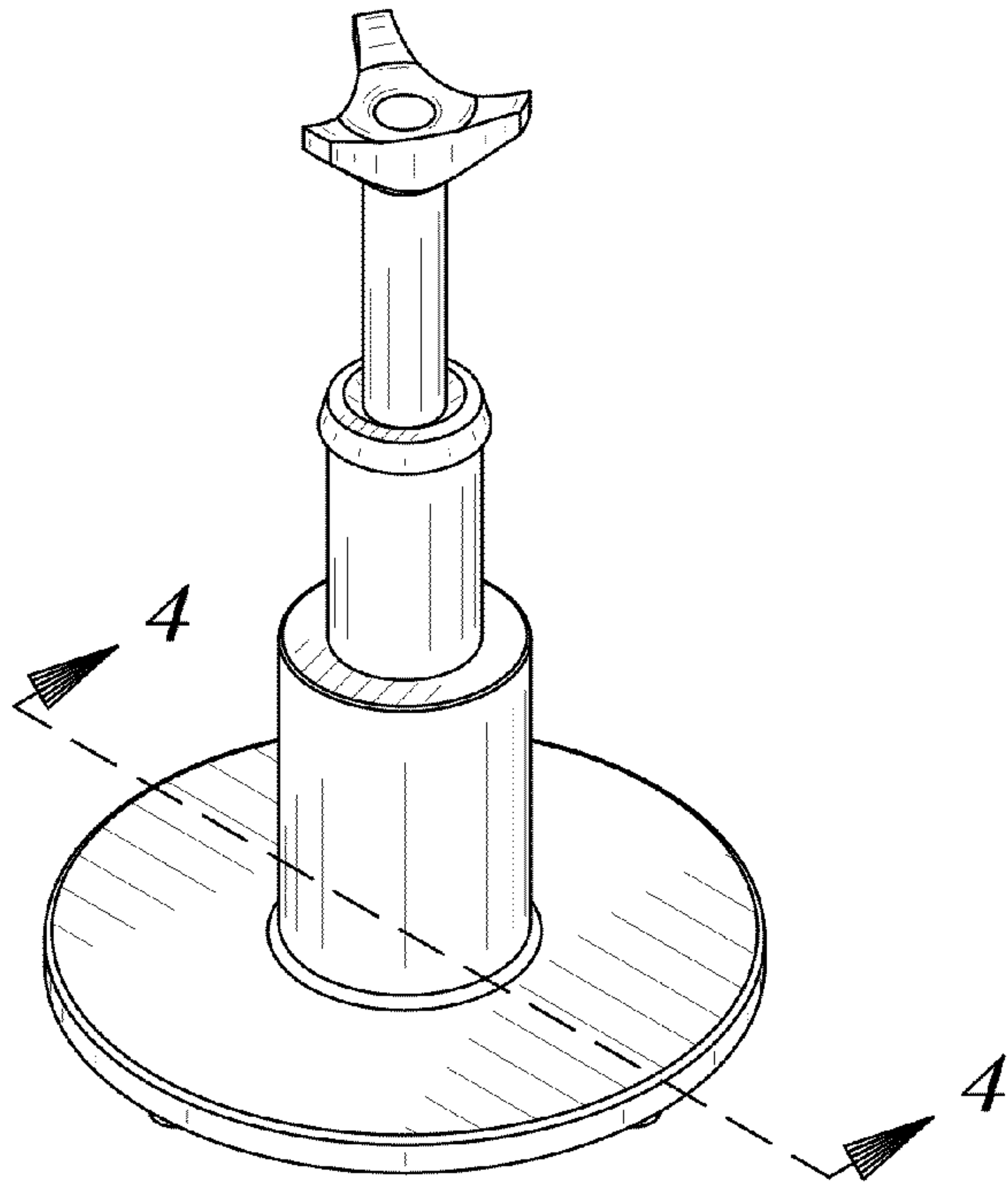
(56)

**References Cited**

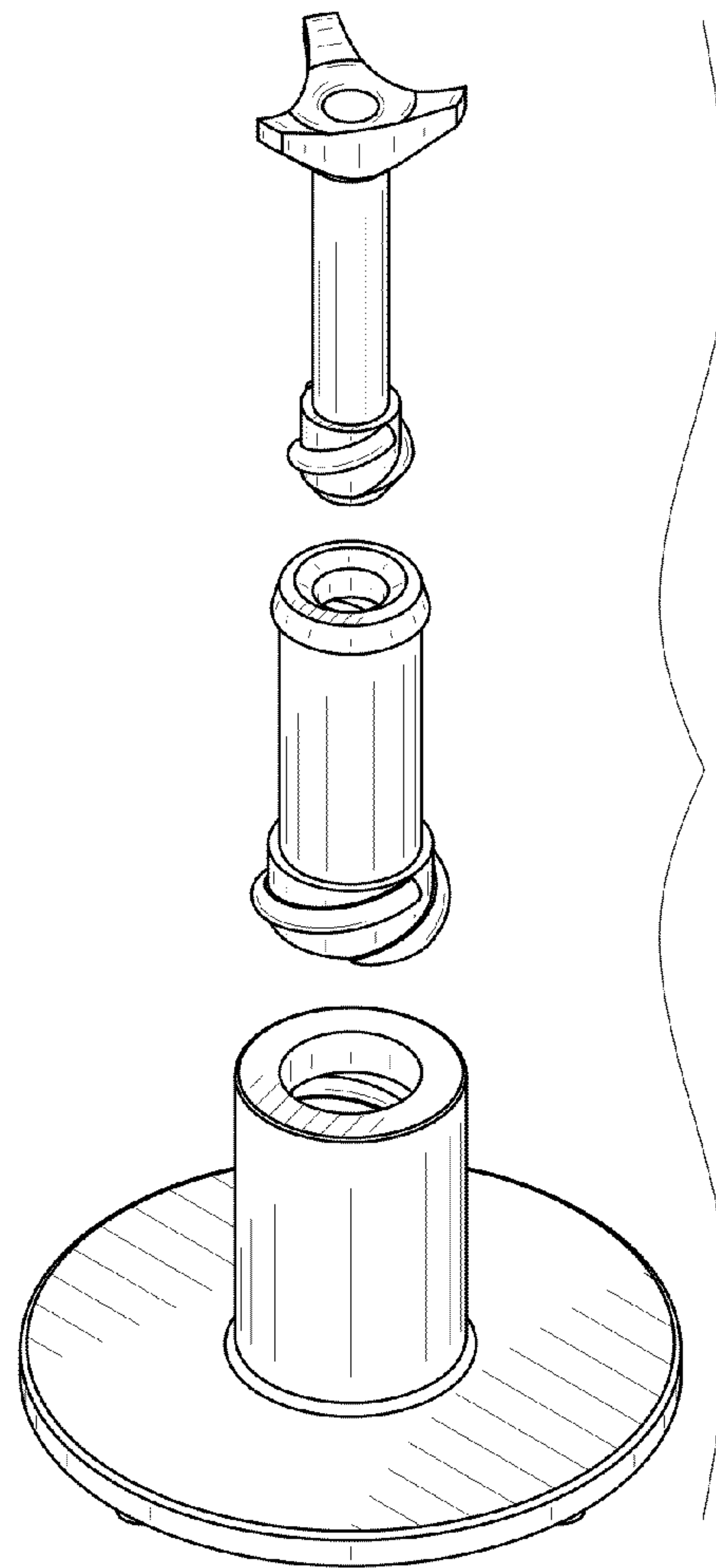
U.S. PATENT DOCUMENTS

D542,366 S	5/2007	Iacono	2005/0181893 A1	8/2005	Slaven
D562,420 S *	2/2008	Khamsitthisack et al. .. D21/718	2005/0245330 A1	11/2005	Gustine
7,458,906 B2 *	12/2008	Choe ..... 473/387	2005/0277489 A1	12/2005	Choe
7,846,044 B2 *	12/2010	Sagadevan ..... 473/396	2006/0001310 A1	1/2006	Crafts et al.
2004/0132554 A1	7/2004	Schulze	2006/0035727 A1	2/2006	Butterworth
2004/0185967 A1 *	9/2004	McDonough et al. .... 473/387	2006/0105859 A1	5/2006	Thirkettle
			2008/0102988 A1	5/2008	Sagadevan
			2009/0136319 A1	5/2009	Panasik
			2009/0137345 A1	5/2009	Sagadevan

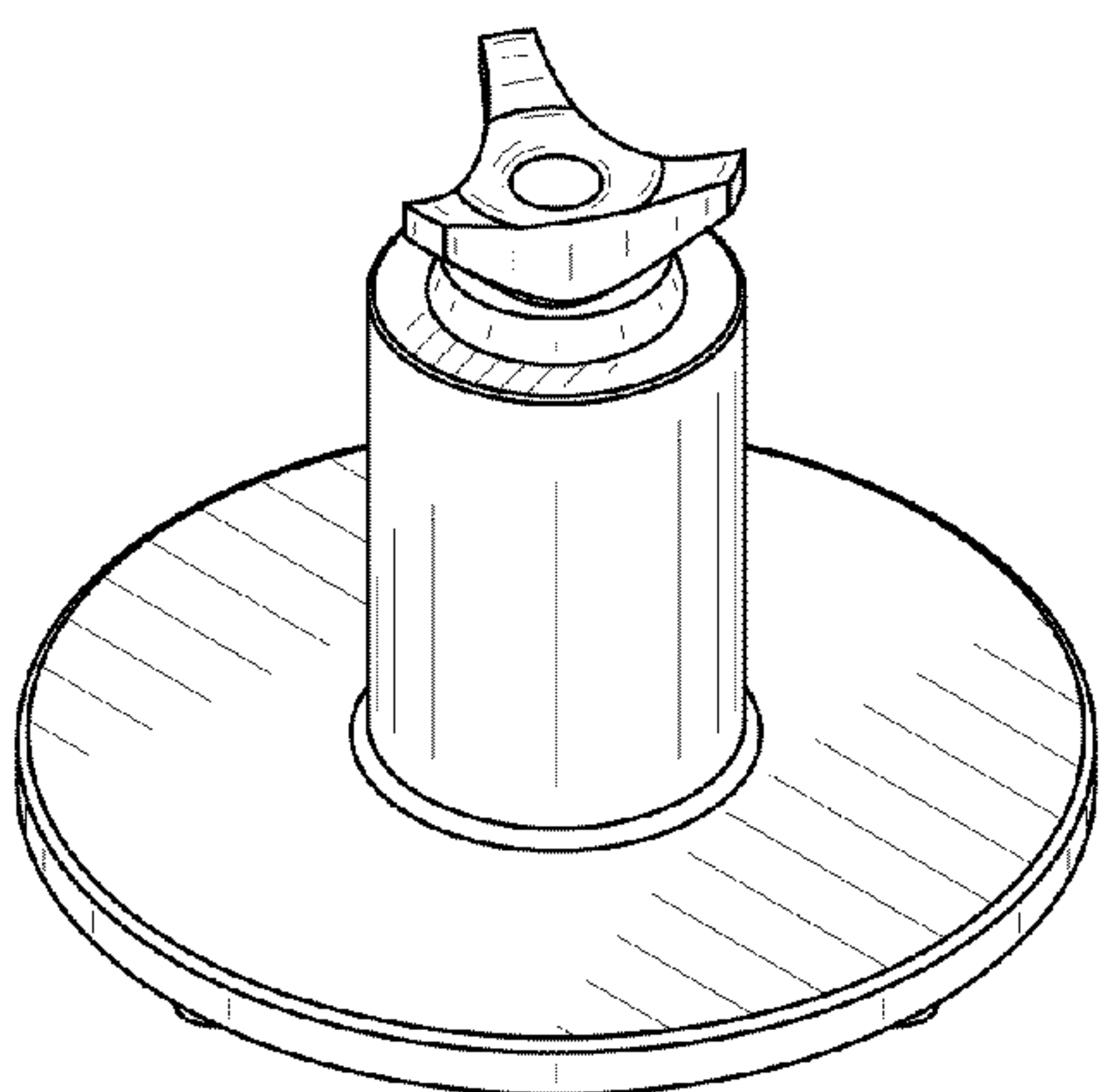
\* cited by examiner



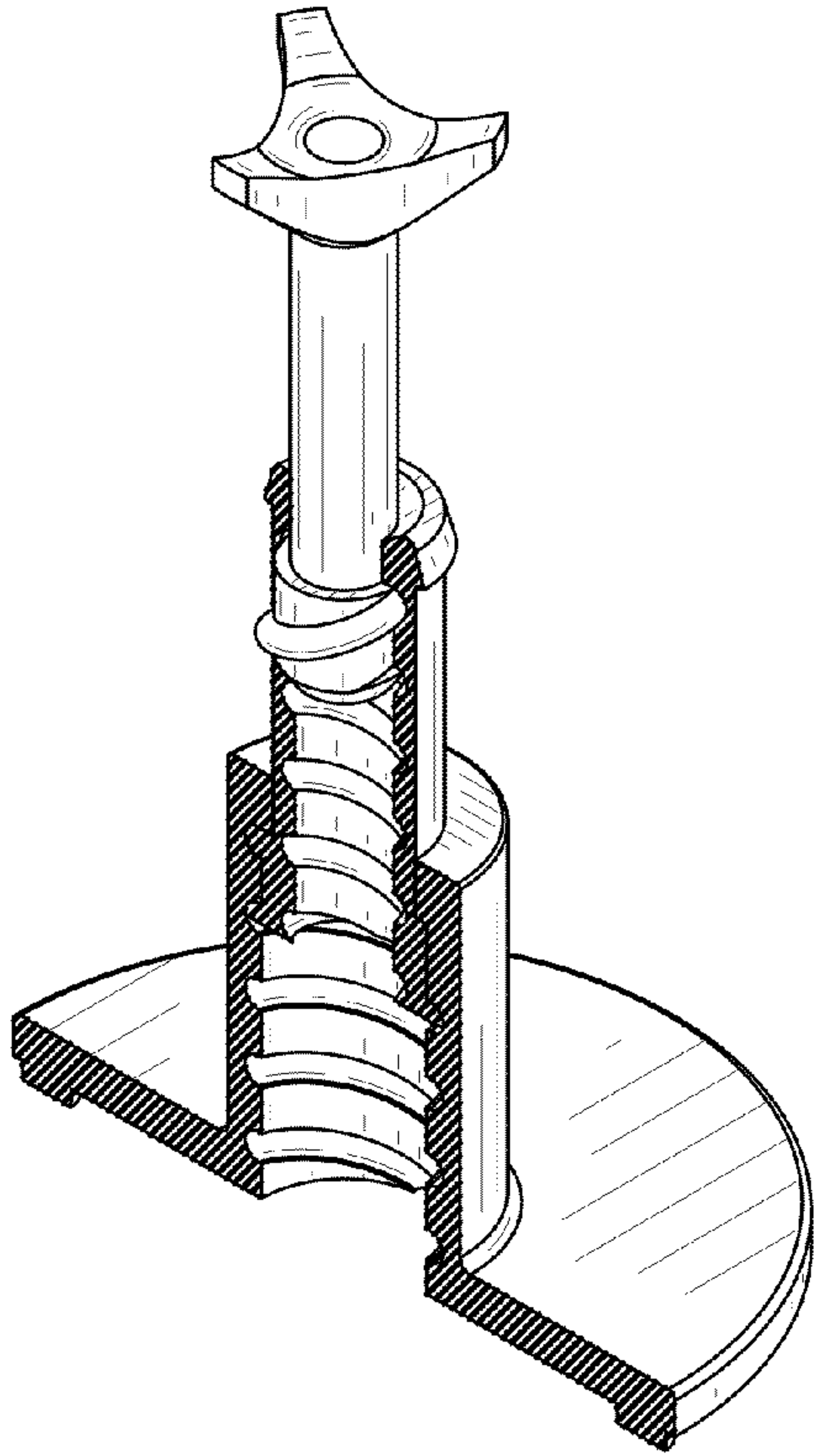
*Fig. 1*



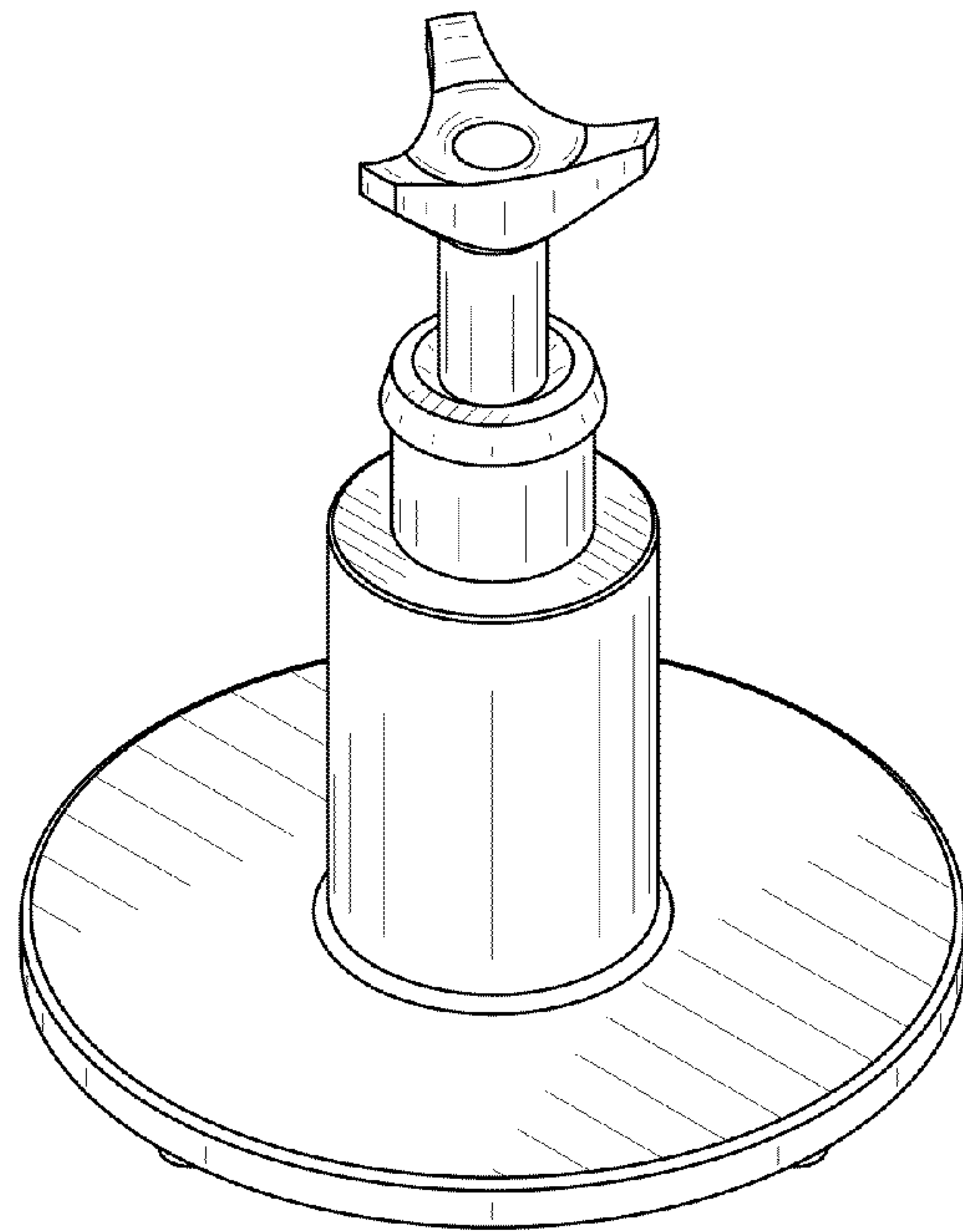
*Fig. 3*



*Fig. 2*



*Fig. 4*



*Fig. 5*