



US00D705876S

(12) **United States Design Patent**
Oblack et al.

(10) **Patent No.:** **US D705,876 S**

(45) **Date of Patent:** **** May 27, 2014**

(54) **REVERSE WELT BALL**

(75) Inventors: **Mark J. Oblack**, Issaquah, WA (US);
Mark D. Thinnes, Seattle, WA (US)

(73) Assignee: **Canine Hardware Inc.**, Kent, WA (US)

(**) Term: **14 Years**

(21) Appl. No.: **29/429,548**

(22) Filed: **Aug. 13, 2012**

(51) **LOC (10) Cl.** **21-02**

(52) **U.S. Cl.**
USPC **D21/712**

(58) **Field of Classification Search**
USPC D21/707-714; D30/160; 473/569-614;
119/707-711; 446/34, 431, 437, 486,
446/487

See application file for complete search history.

(56) **References Cited**

U.S. PATENT DOCUMENTS

D354,102 S *	1/1995	Lehman	D21/712
D355,230 S *	2/1995	Brown	D21/712
D453,202 S *	1/2002	Frisina et al.	D21/712
D513,096 S *	12/2005	Stiles	D30/160
D516,145 S	2/2006	Oblack		
D576,235 S *	9/2008	Zawitz	D21/712
D577,396 S	9/2008	Burger		
D609,290 S	2/2010	Oblack		
D609,761 S	2/2010	Burger		
7,762,214 B2	7/2010	Ritchey		
D624,251 S *	9/2010	Rutherford	D30/160
7,895,995 B2	3/2011	Simon		

D673,740 S *	1/2013	Burger et al.	D30/160
8,382,618 B2 *	2/2013	Lo	473/596
2007/0072712 A1 *	3/2007	Chernick et al.	473/594
2010/0048331 A1 *	2/2010	Guilfoyle	473/451
2013/0139797 A1 *	6/2013	Oblack et al.	124/5

OTHER PUBLICATIONS

Oblack, M.J., et al., "Reverse Welt Ball," U.S. Appl. No. 13/572,366, filed Aug. 10, 2012.

* cited by examiner

Primary Examiner — Catherine Tuttle

(74) *Attorney, Agent, or Firm* — Eckert Seamans Cherin & Mellott, LLC; Brij K. Agarwal

(57) **CLAIM**

The ornamental design for a reverse welt ball, as shown and described.

DESCRIPTION

FIG. 1 is a front, top, and right perspective view of the reverse welt ball;

FIG. 2 is a top plan view thereof;

FIG. 3 is a bottom plan view thereof;

FIG. 4 is a front elevational view thereof;

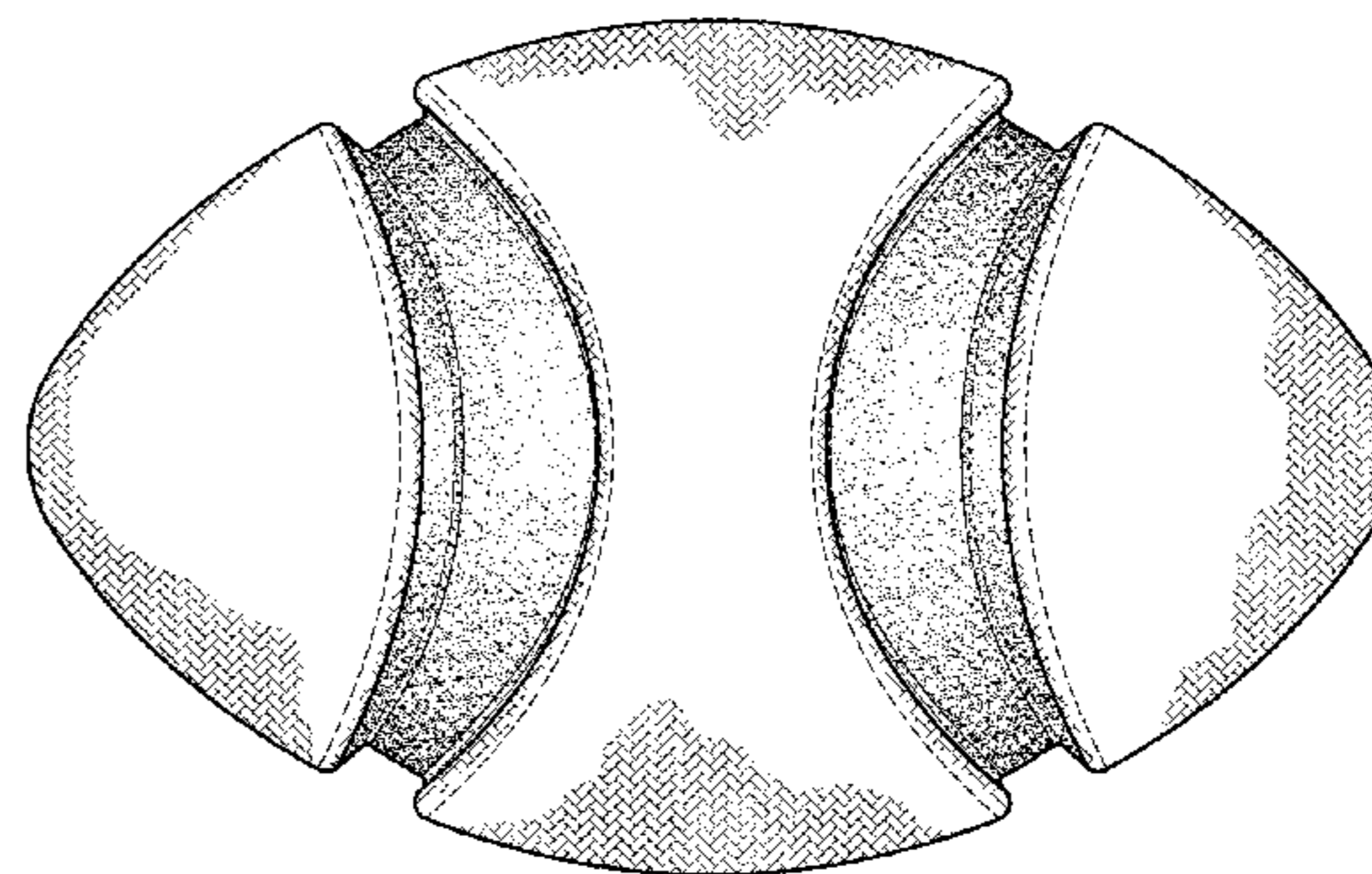
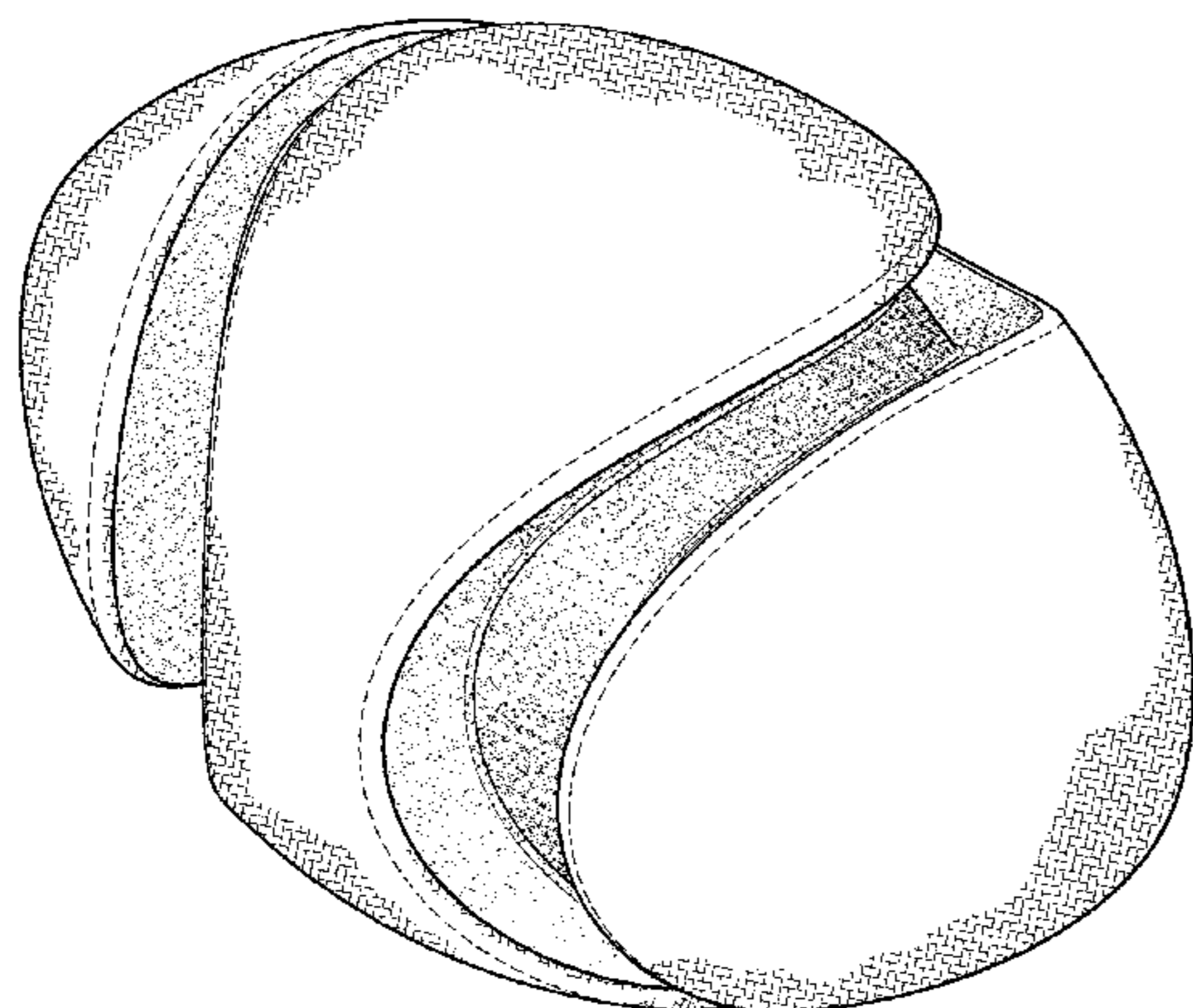
FIG. 5 is a rear elevational view thereof;

FIG. 6 is a left side elevational view thereof; and,

FIG. 7 is a right side elevational view thereof.

The partially illustrated surface pattern is understood to continue throughout the outer, non-stippled regions of the reverse welt ball. The broken lines are included for the purpose of illustrating a feature of the reverse welt ball that forms no part of the claimed design.

1 Claim, 4 Drawing Sheets



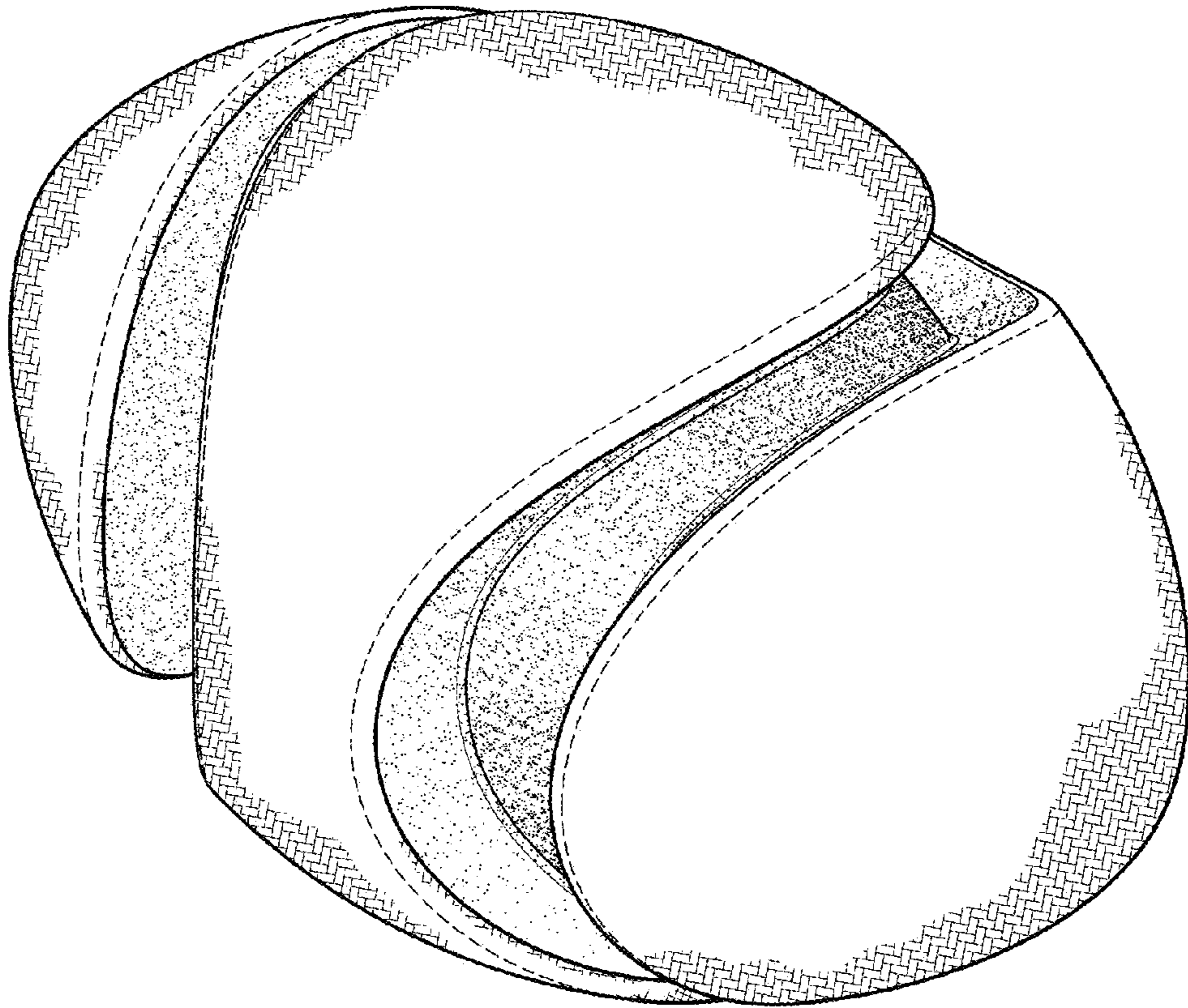


Fig. 1.

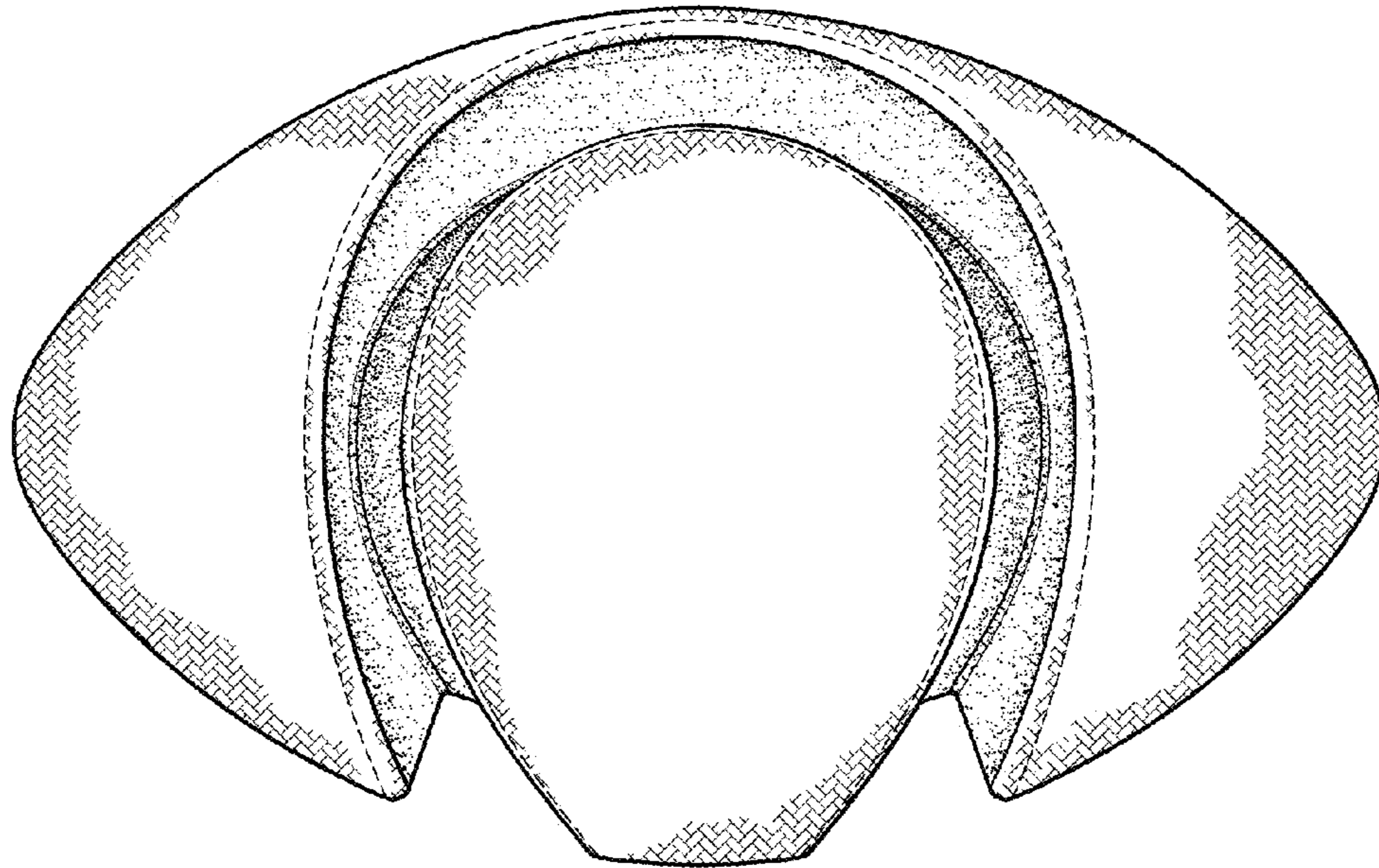


Fig. 2.

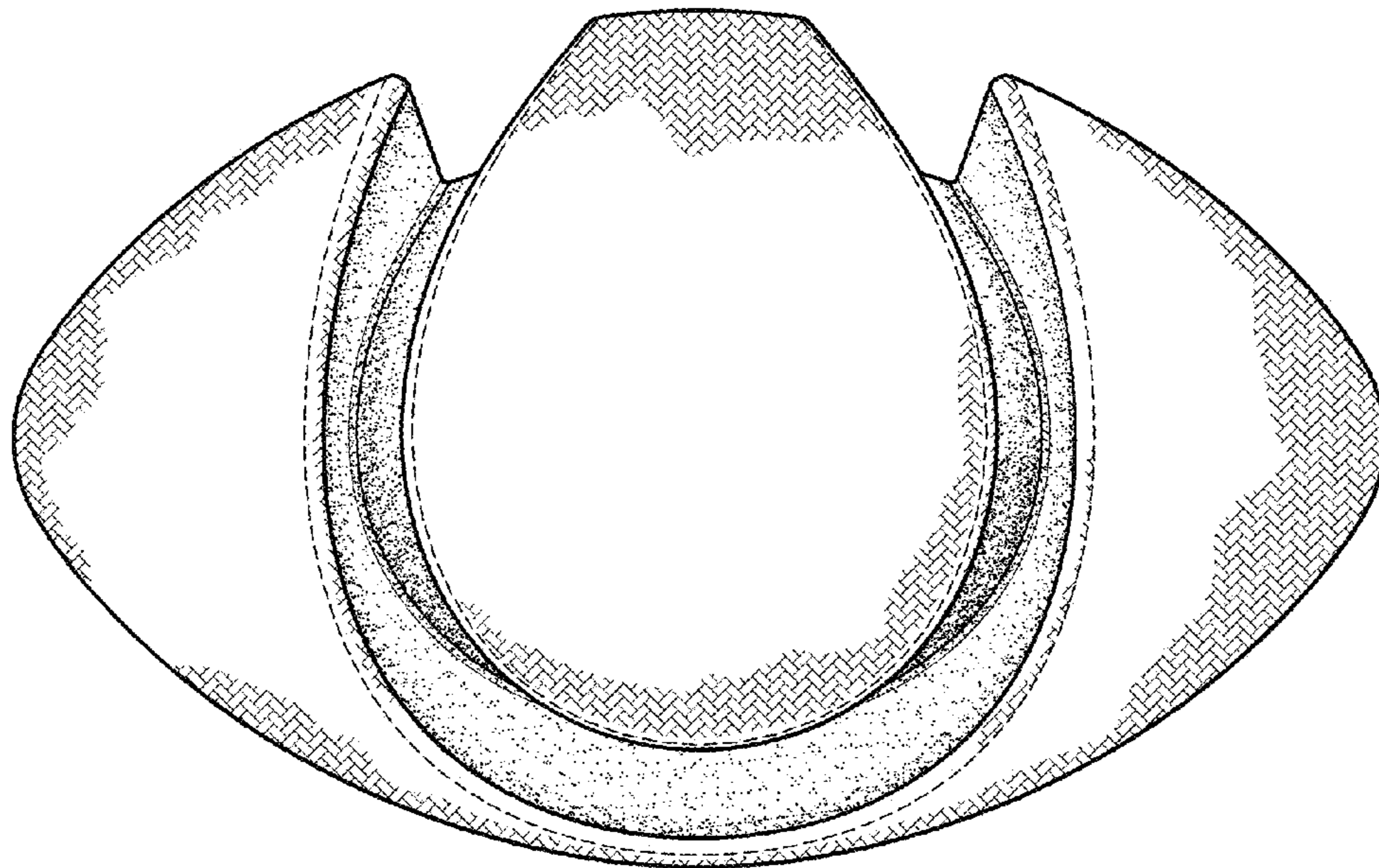


Fig. 3.

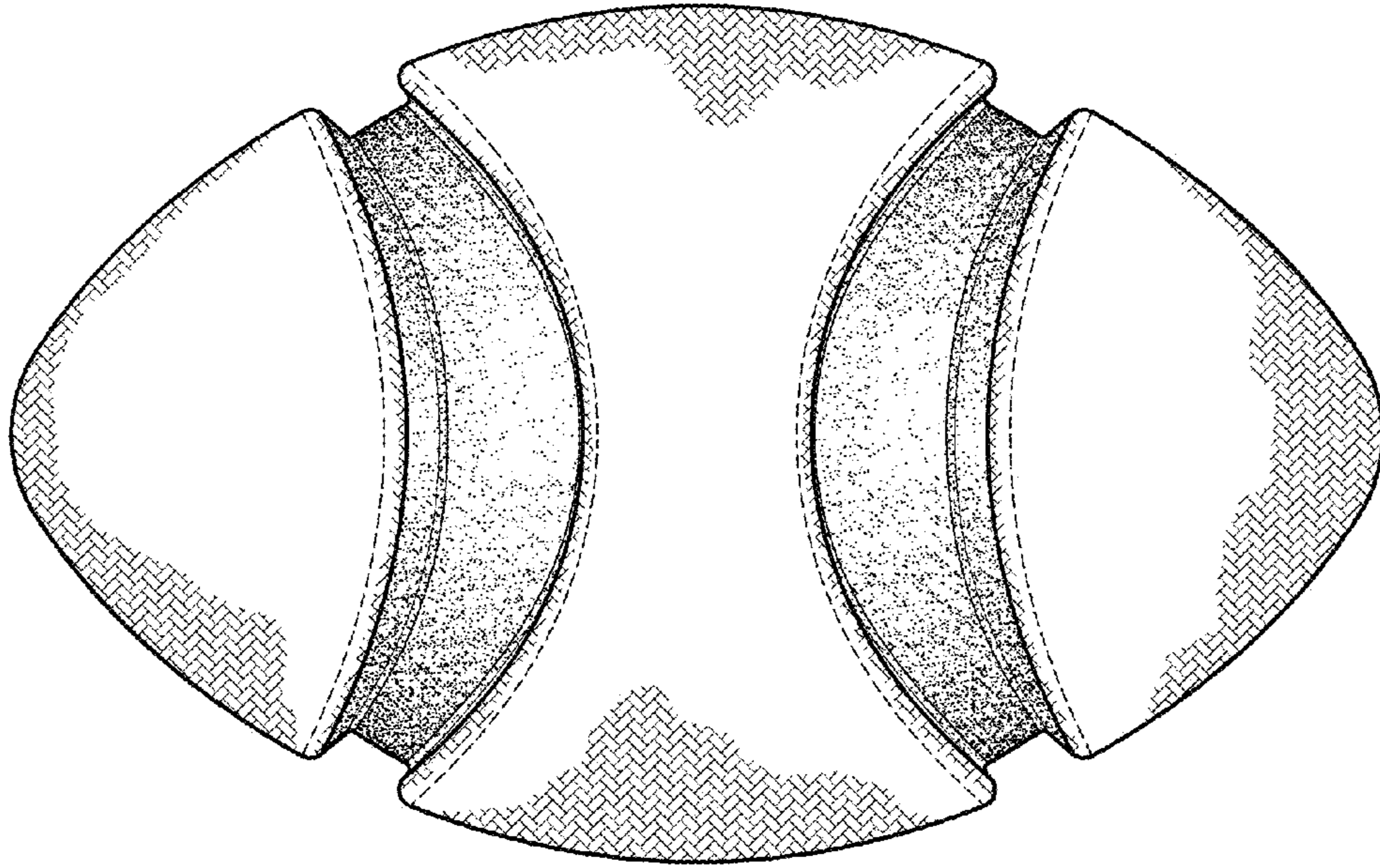


Fig. 4.

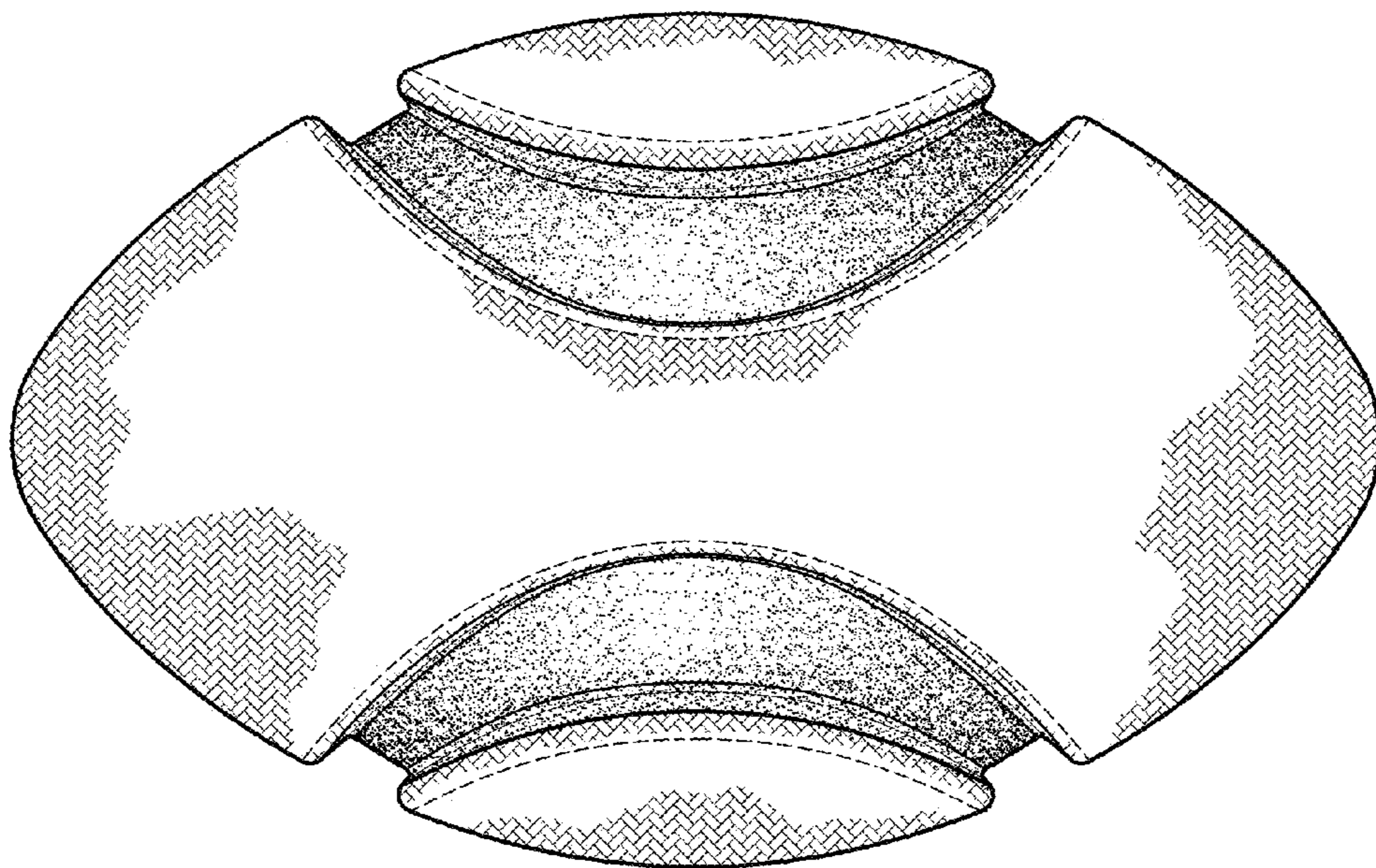


Fig. 5.

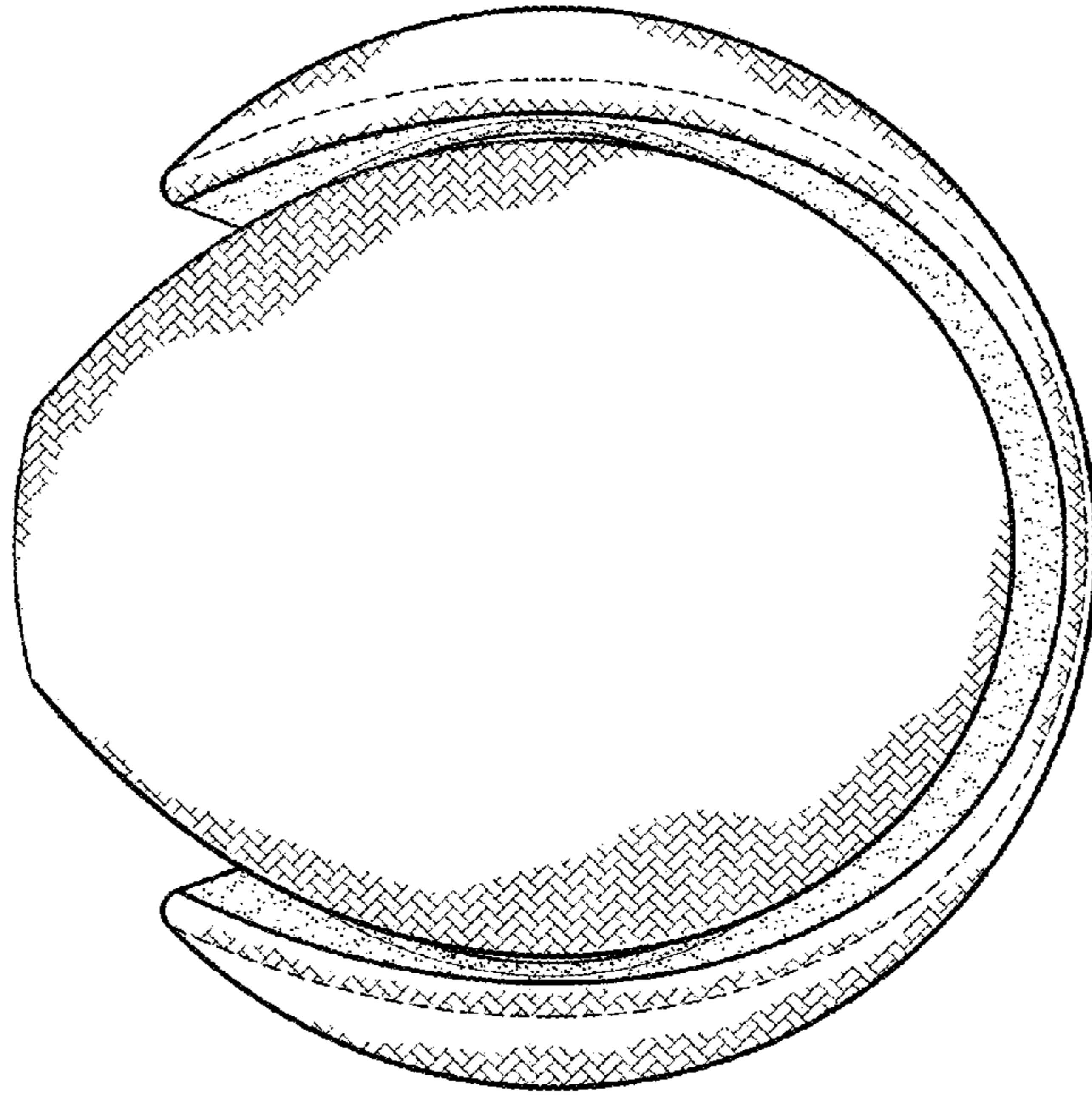


Fig. 6.

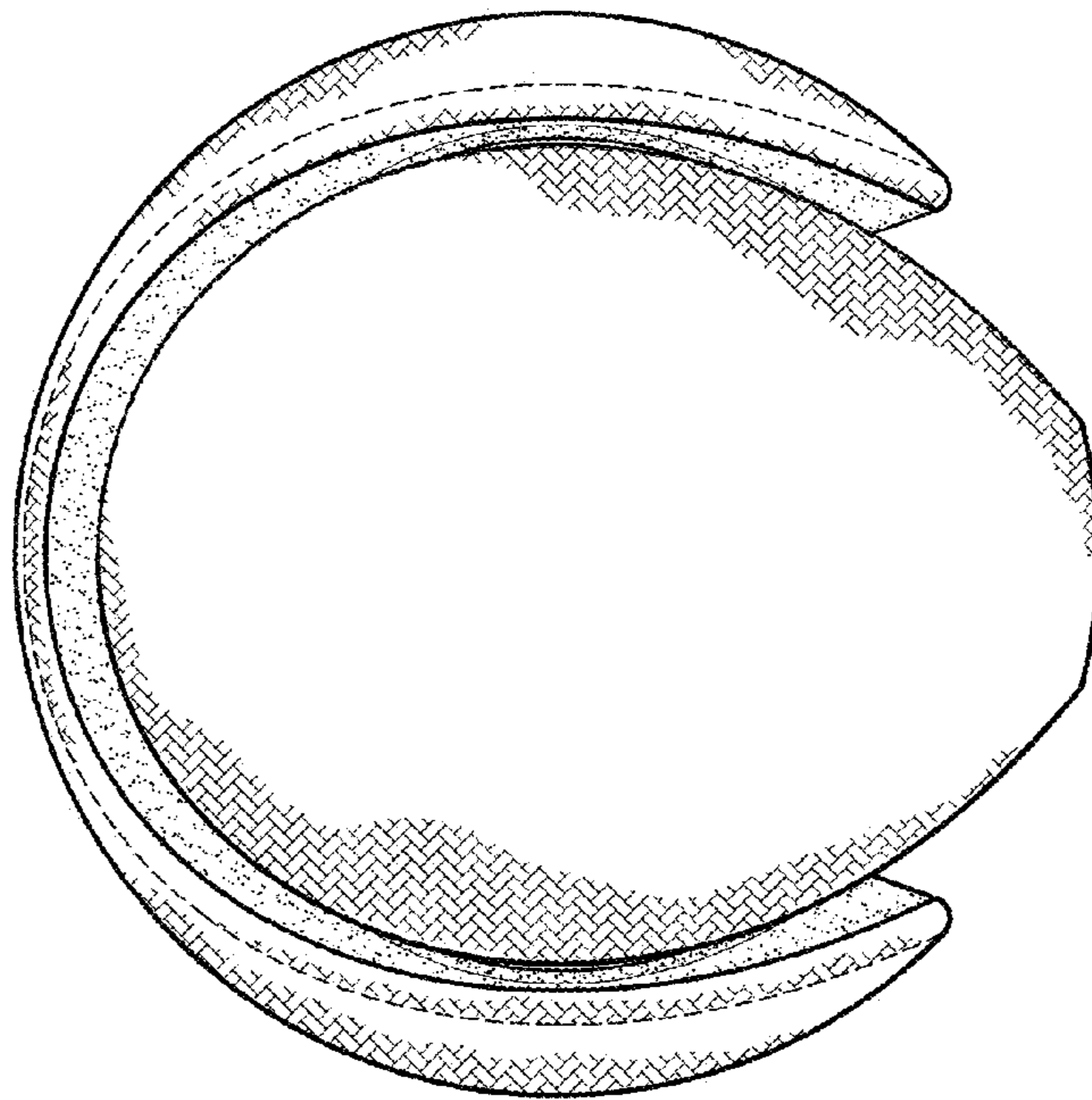


Fig. 7.