



US00D705873S

(12) **United States Design Patent**  
**Grout et al.**

(10) **Patent No.:** **US D705,873 S**  
(45) **Date of Patent:** **\*\* May 27, 2014**

(54) **RIDE-ON VEHICLE**

(71) Applicant: **Radio Flyer Inc.**, Chicago, IL (US)

(72) Inventors: **Ian Grout**, Strykersville, NY (US);  
**Todd Herlitz**, Glenview, IL (US)

(73) Assignee: **Radio Flyer Inc.**, Chicago, IL (US)

(\*\*) Term: **14 Years**

(21) Appl. No.: **29/449,701**

(22) Filed: **Mar. 15, 2013**

(51) **LOC (10) Cl.** ..... **21-01**

(52) **U.S. Cl.**

USPC ..... **D21/423**

(58) **Field of Classification Search**

USPC ..... D21/419, 421, 423-428, 431-435, 548;  
D12/129, 130, 133; 180/65.1; 280/7.1,  
280/7.11, 7.15, 7.17, 47.17, 47.25, 47.38,  
280/47.34, 87.01, 87.021, 87.05, 87.051,  
280/282, 827, 828

See application file for complete search history.

(56) **References Cited**

**U.S. PATENT DOCUMENTS**

6,089,586	A *	7/2000	Rudell et al.	280/282
6,296,268	B1 *	10/2001	Ford et al.	280/648
D564,037	S *	3/2008	Cramer et al.	D21/423
D571,861	S *	6/2008	On	D21/423
D579,987	S *	11/2008	Hong	D21/423
D631,102	S *	1/2011	Jessie, Jr.	D21/424
D654,964	S *	2/2012	Herlitz et al.	D21/423
D654,965	S *	2/2012	Herlitz et al.	D21/423

**OTHER PUBLICATIONS**

<[http://www.vtechkids.com/product/detail/1816/3\\_in\\_1\\_Learning\\_Zebra\\_Scooter](http://www.vtechkids.com/product/detail/1816/3_in_1_Learning_Zebra_Scooter)>, VTech 3-in-1 Learning Scooter, Scoffer, dated at least as early as Jan. 1, 2013.

<<http://www.buzzillions.com/reviews/berchet-twin-rider-ride-on-scooter-reviews#Description>>, Berchet Twin Rider Ride-On Scooter, Scooter, dated at least as early as Jan. 1, 2013.

<<http://smart-trike.com/products/product-sample-1/>>, SmarTrike All-in-One, 6-in-1, Scooter, dated at least as early as Jan. 1, 2013.

<<http://www.littletikesitalia.com/uploaded/pdf/9061611.pdf>>, Little Tikes 2-in-1 Scooter, Scooter, dated at least as early as Jan. 1, 2013.

<<http://www.micro-scooters.co.uk/scooters-model-3-in-1-seat-ages-1-3.html>>, Micro 3-in-1 Seat, Scooter, dated at least as early as Jan. 1, 2013.

<[http://www.hasbro.com/playskool/en\\_US/shop/details.cfm?R=8EC46935-6D40-1014-8BF0-9EFBF894F9D4:en\\_US](http://www.hasbro.com/playskool/en_US/shop/details.cfm?R=8EC46935-6D40-1014-8BF0-9EFBF894F9D4:en_US)>, Playskool Explore 'N Grow Step Start Walk 'N Ride, Scooter, dated at least as early as Jan. 1, 2013.

\* cited by examiner

*Primary Examiner* — Cynthia M Chin

(74) *Attorney, Agent, or Firm* — McDermott Will & Emery LLP

(57) **CLAIM**

We claim the ornamental design for a ride-on vehicle, as shown and described.

**DESCRIPTION**

FIG. 1 is a perspective view of a ride-on vehicle according to the new design;

FIG. 2 is a side view of the ride-on vehicle shown in FIG. 1;

FIG. 3 is a front view of the ride-on vehicle shown in FIG. 1;

FIG. 4 is a back view of the ride-on vehicle shown in FIG. 1;

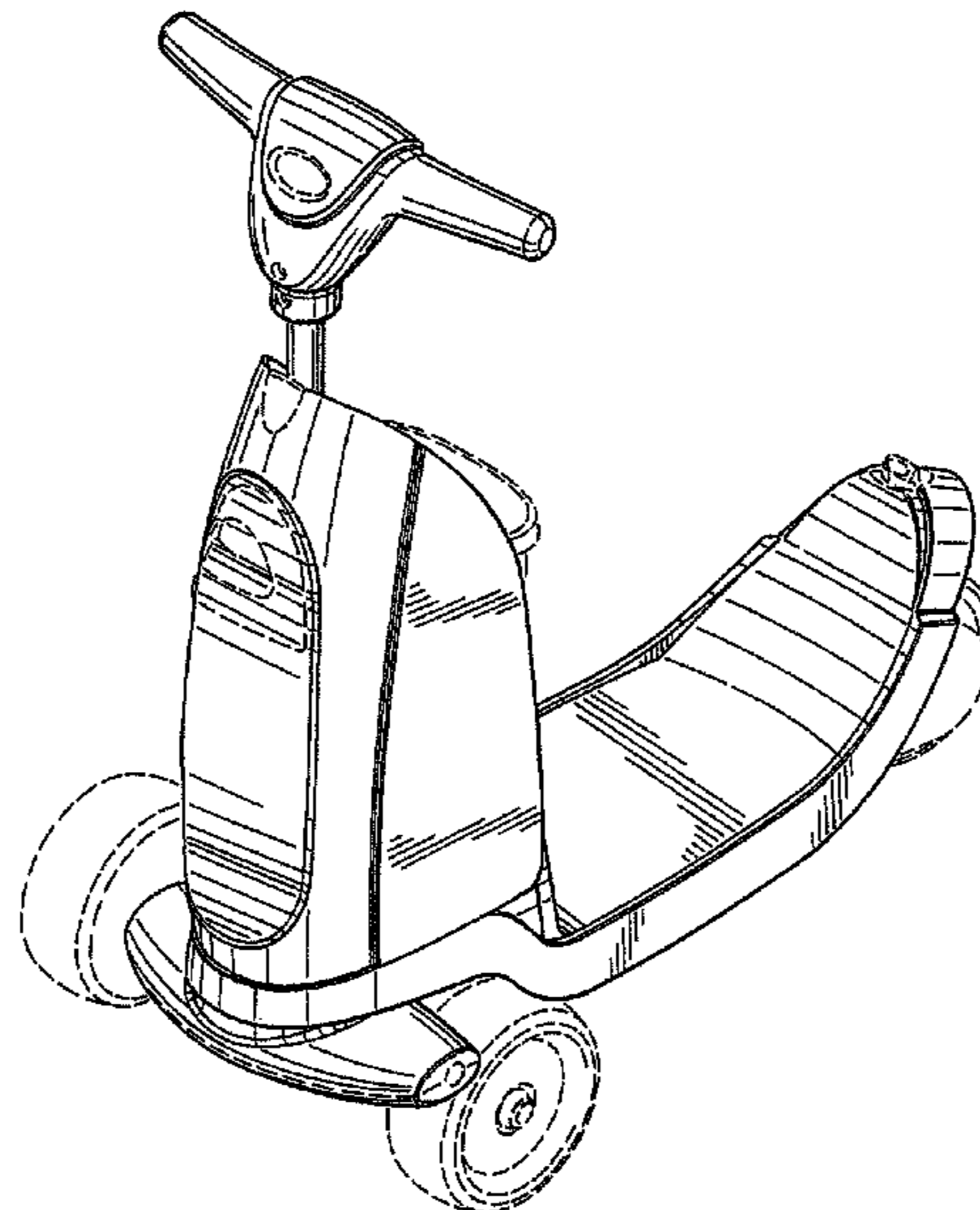
FIG. 5 is a top view of the ride-on vehicle shown in FIG. 1;

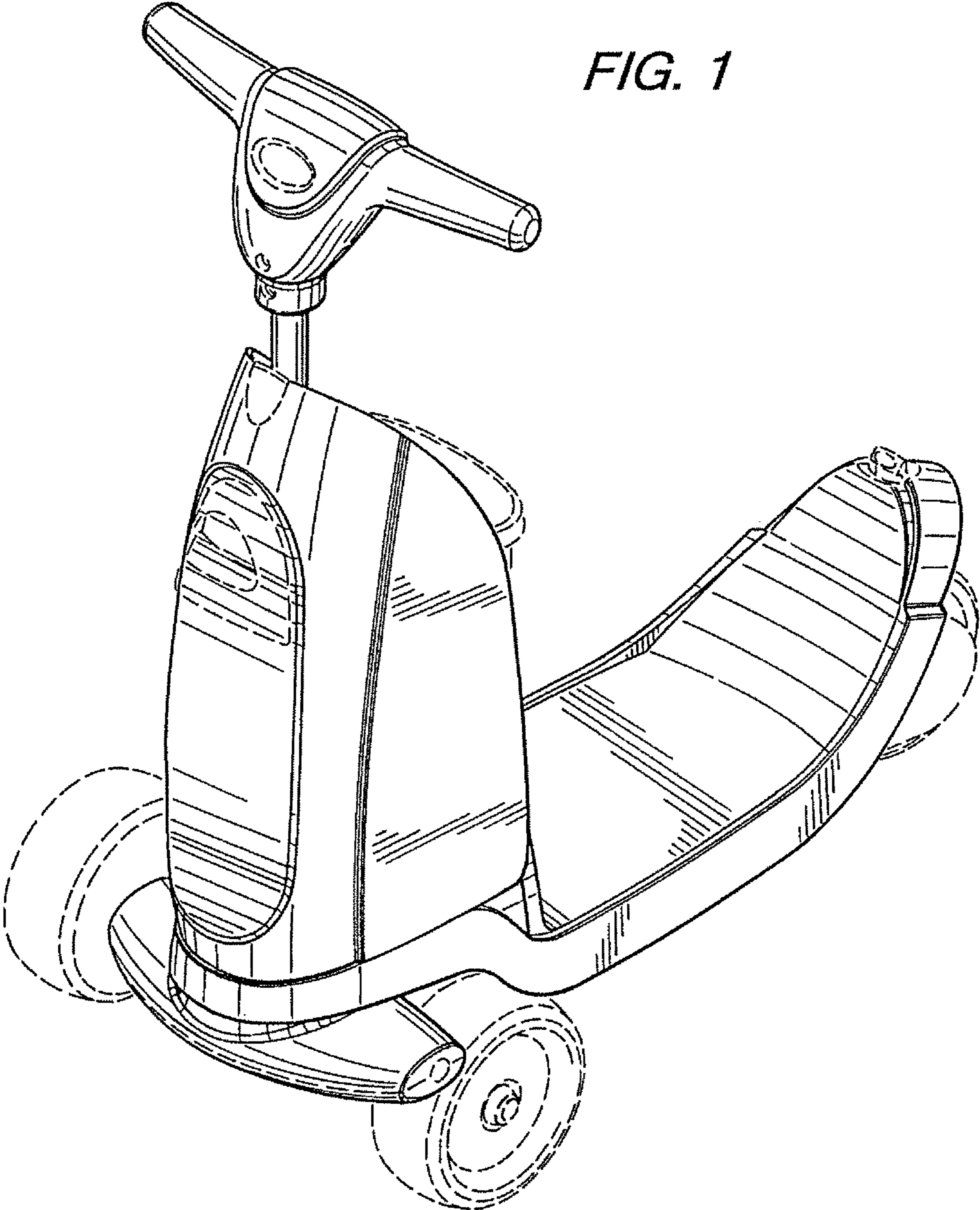
and,

FIG. 6 is a bottom view of the ride-on vehicle shown in FIG. 1.

Features shown in broken lines in the drawings are not part of the claim.

**1 Claim, 4 Drawing Sheets**





*FIG. 1*

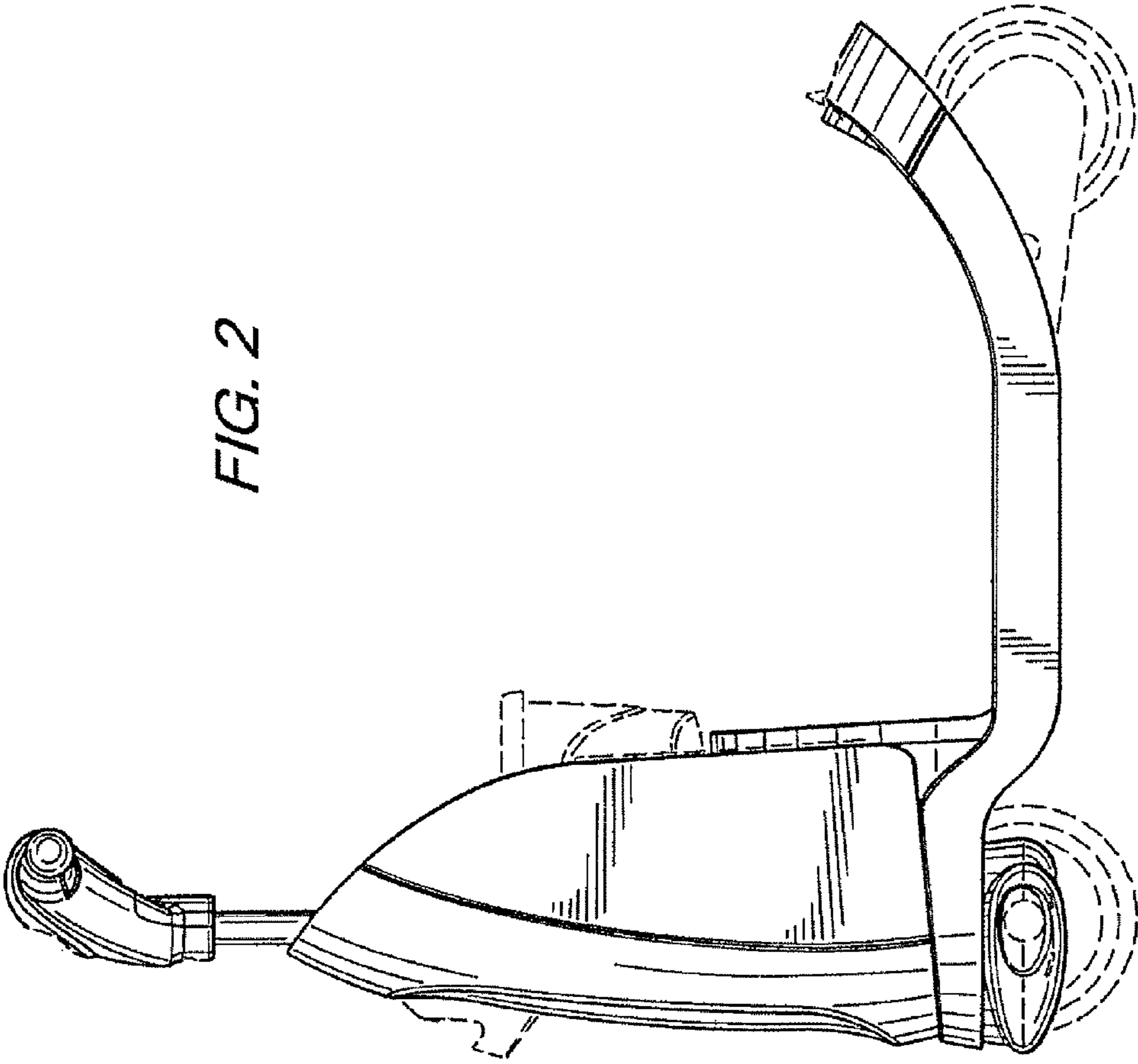


FIG. 2

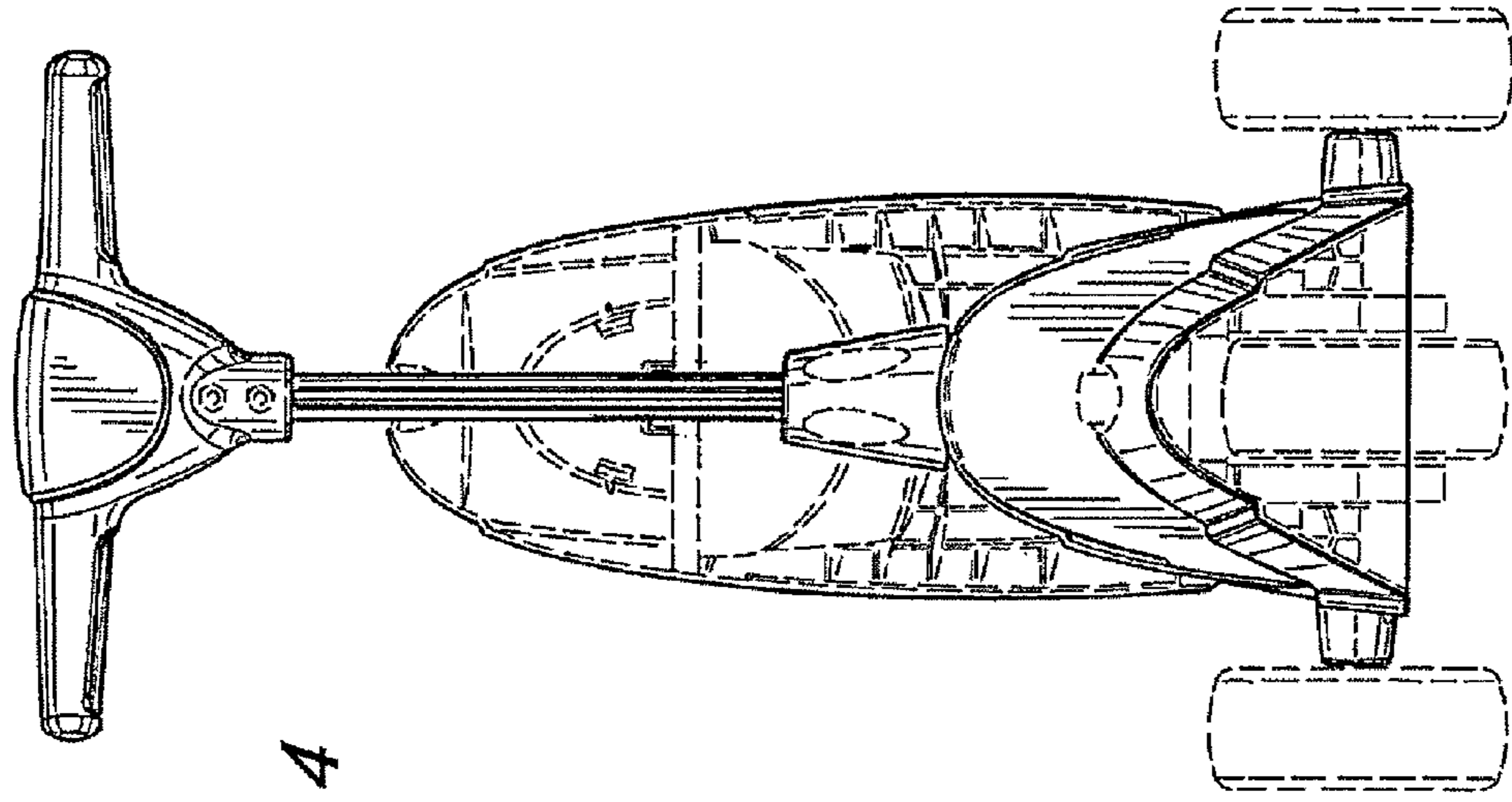


FIG. 4

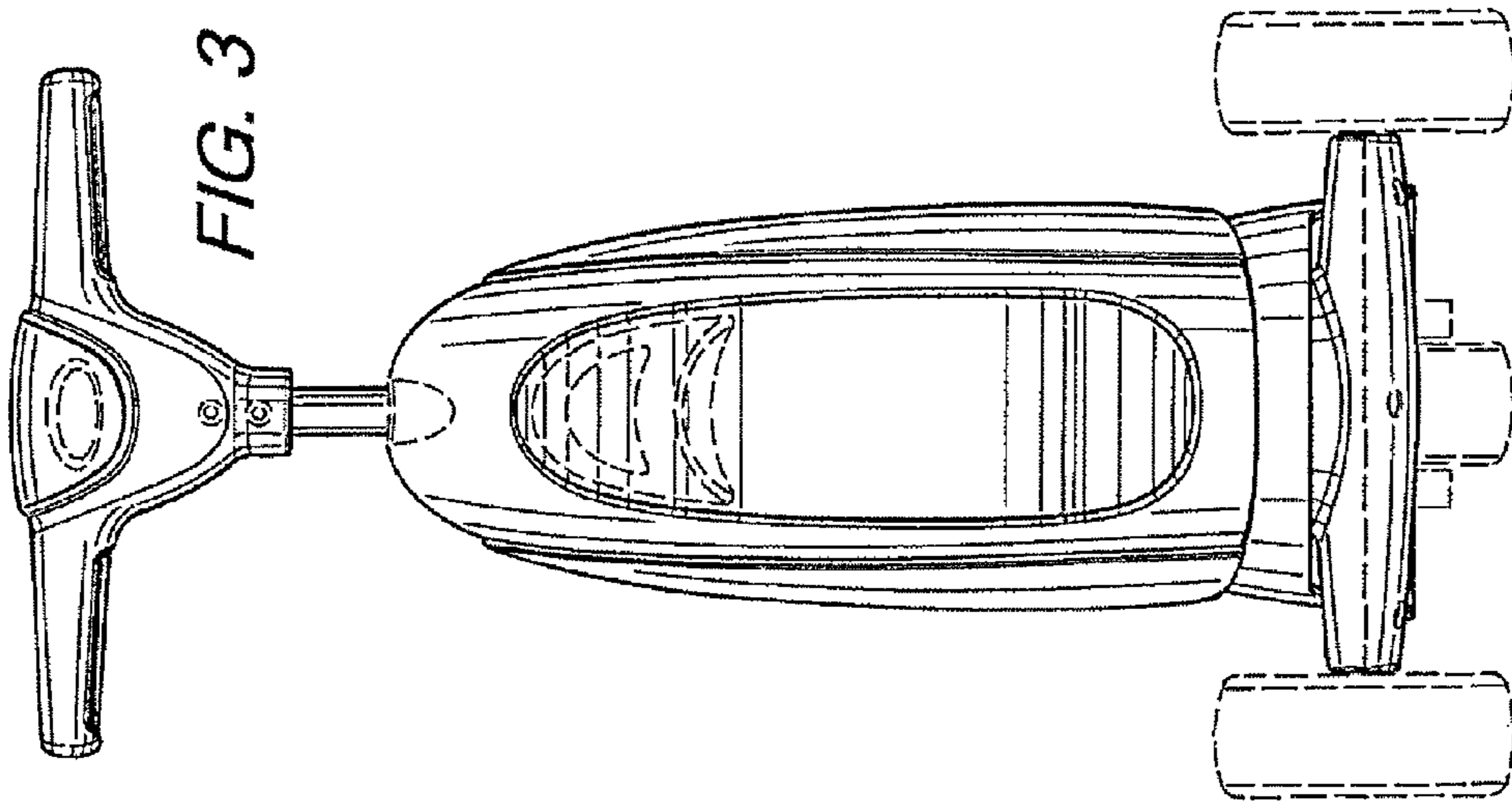


FIG. 3

FIG. 5

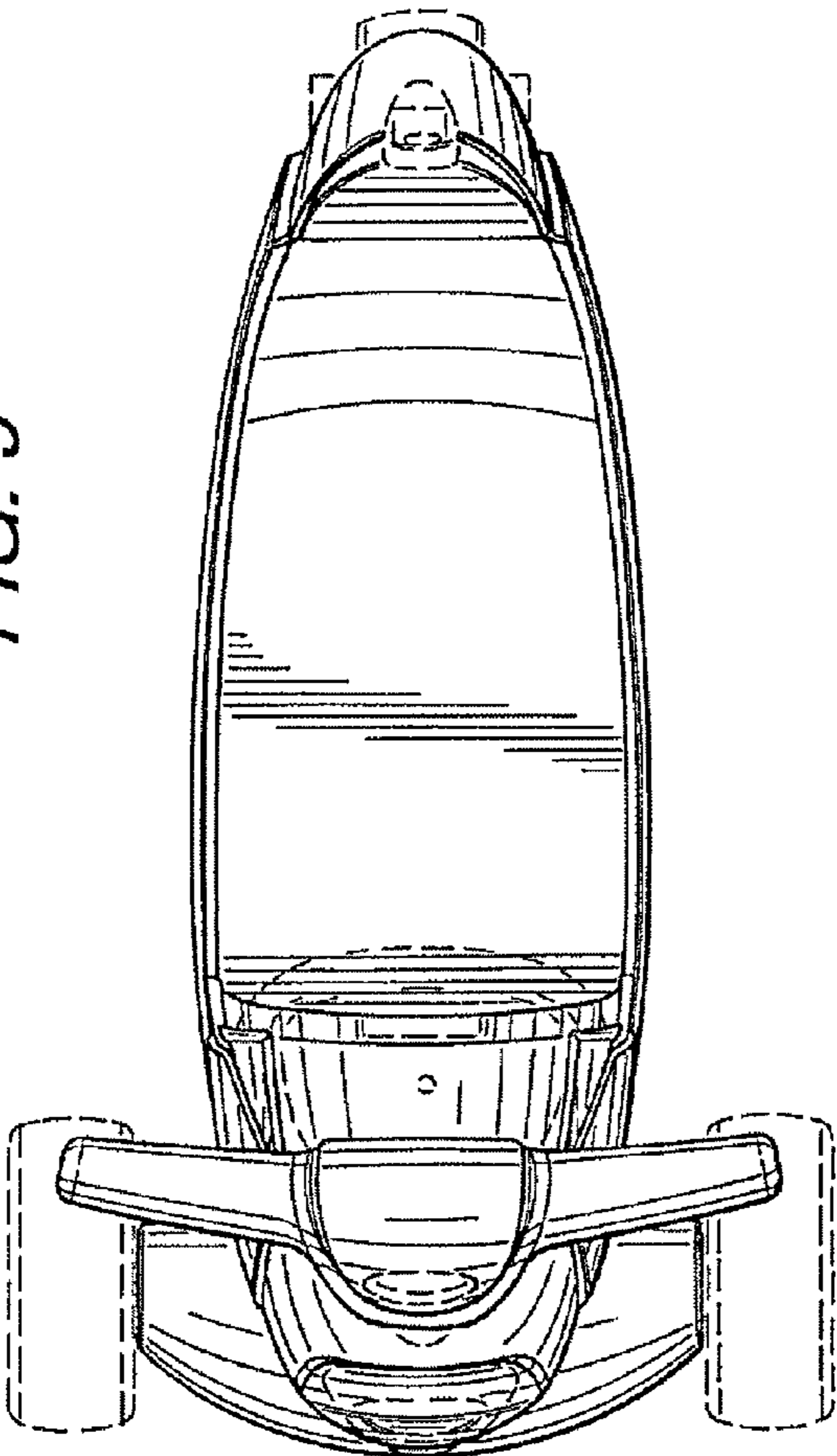


FIG. 6

