



US00D705872S

(12) **United States Design Patent**
Ortiz

(10) **Patent No.:** **US D705,872 S**

(45) **Date of Patent:** **** May 27, 2014**

(54) **GAMING MACHINE**

(71) Applicant: **Alejandro De Viveiros Ortiz**, Sao Paulo (BR)

(72) Inventor: **Alejandro De Viveiros Ortiz**, Sao Paulo (BR)

(**) Term: **14 Years**

(21) Appl. No.: **29/458,657**

(22) Filed: **Jun. 21, 2013**

(30) **Foreign Application Priority Data**

Mar. 26, 2013 (EP) 2209031-0001

(51) **LOC (10) Cl.** **21-03**

(52) **U.S. Cl.**
USPC **D21/370**

(58) **Field of Classification Search**

USPC D14/302, 305-307, 485-486;
D21/324-325, 329, 369-371, 385;
273/146, 274; 463/17, 20, 46-47;
715/781, 786

See application file for complete search history.

(56) **References Cited**

U.S. PATENT DOCUMENTS

D496,407 S * 9/2004 Gadda et al. D21/370
D508,719 S * 8/2005 de Haas D21/369
D586,866 S * 2/2009 Hsu D21/370

D604,773 S * 11/2009 De Viveiros Ortiz D21/325
D604,774 S * 11/2009 De Viveiros Ortiz D21/325
D612,432 S * 3/2010 De Viveiros Ortiz D21/325
D622,323 S * 8/2010 De Viveiros Ortiz D21/325
D632,342 S * 2/2011 Wen D21/370
D685,435 S * 7/2013 Hohman et al. D21/370

* cited by examiner

Primary Examiner — Sandra Morris

(74) *Attorney, Agent, or Firm* — Baker & McKenzie LLP

(57) **CLAIM**

The ornamental design for a gaming machine, as shown and described.

DESCRIPTION

FIG. 1 is a perspective view of a gaming machine in accordance with my design;

FIG. 2 is a top plan view of the gaming machine in accordance with my design;

FIG. 3 is a bottom plan view of the gaming machine in accordance with my design;

FIG. 4 is a side elevation view of the gaming machine in accordance with my design;

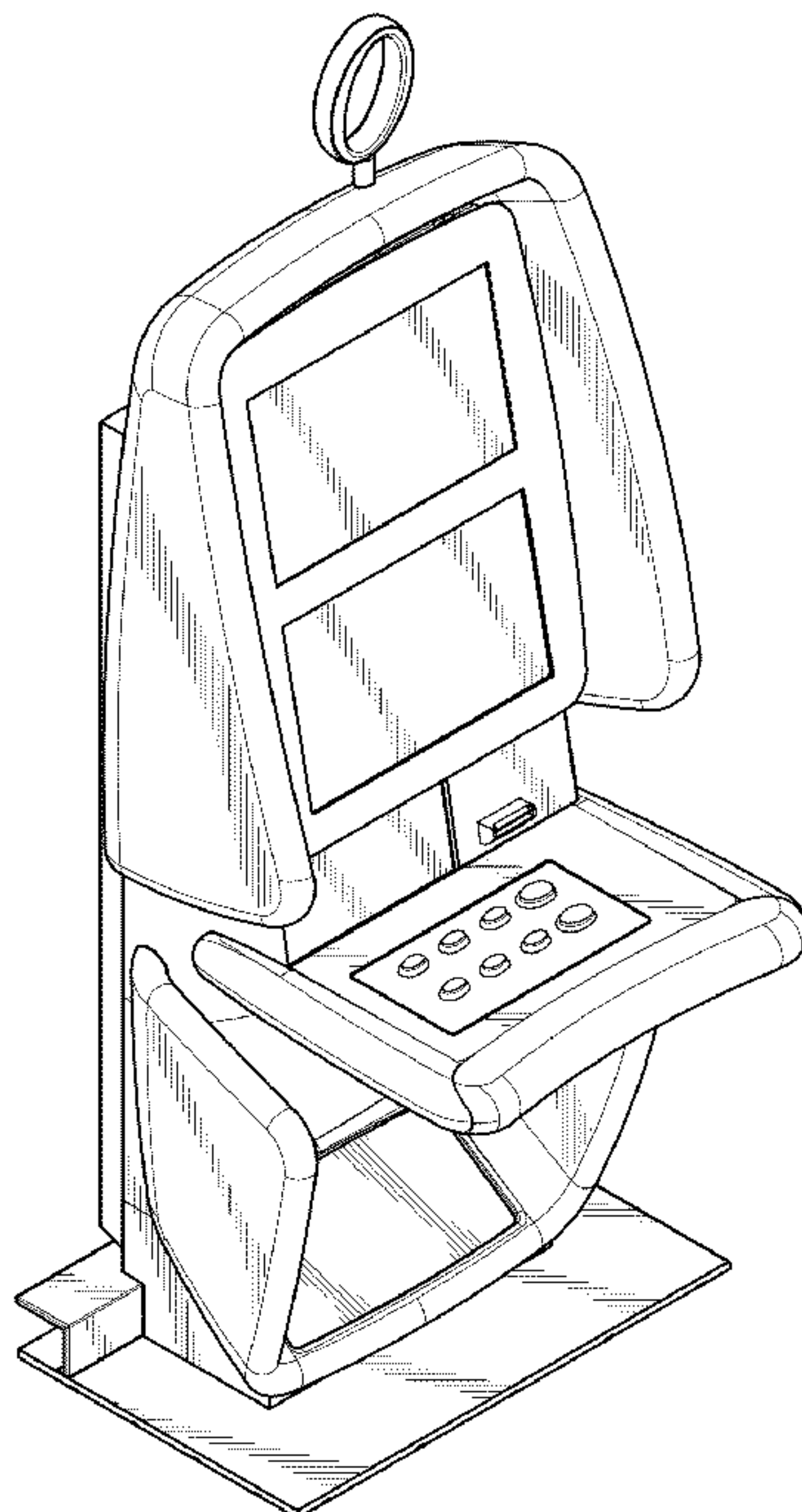
FIG. 5 is a front elevation view of the gaming machine in accordance with my design;

FIG. 6 is the opposite side elevation view of the gaming machine in accordance with my design; and,

FIG. 7 is a rear elevation view of the gaming machine in accordance with my design.

The broken-line disclosure of elements is understood to represent portions of the gaming machine in which the design is embodied, but which form no part of the claimed design.

1 Claim, 2 Drawing Sheets



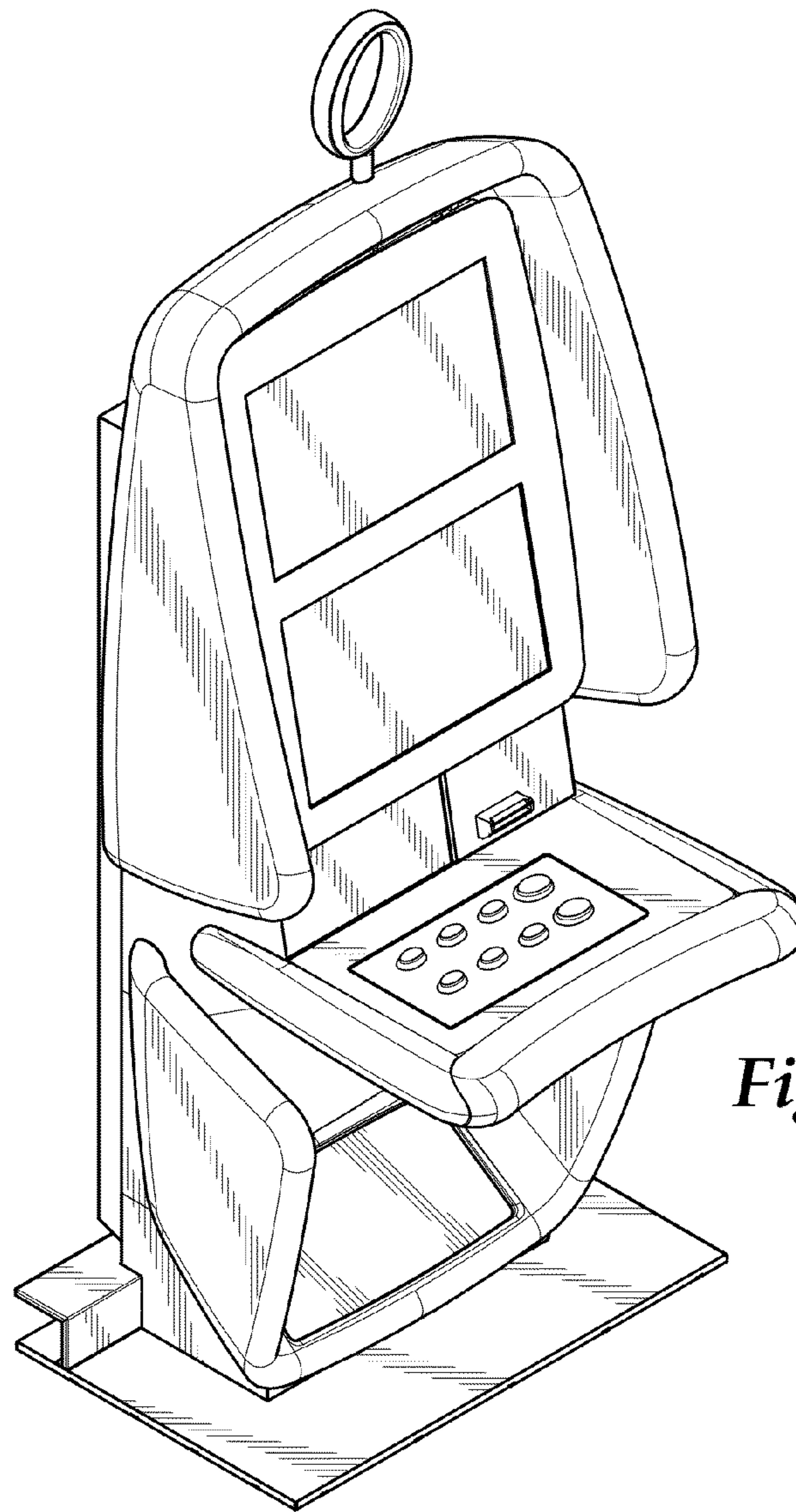


Fig.1

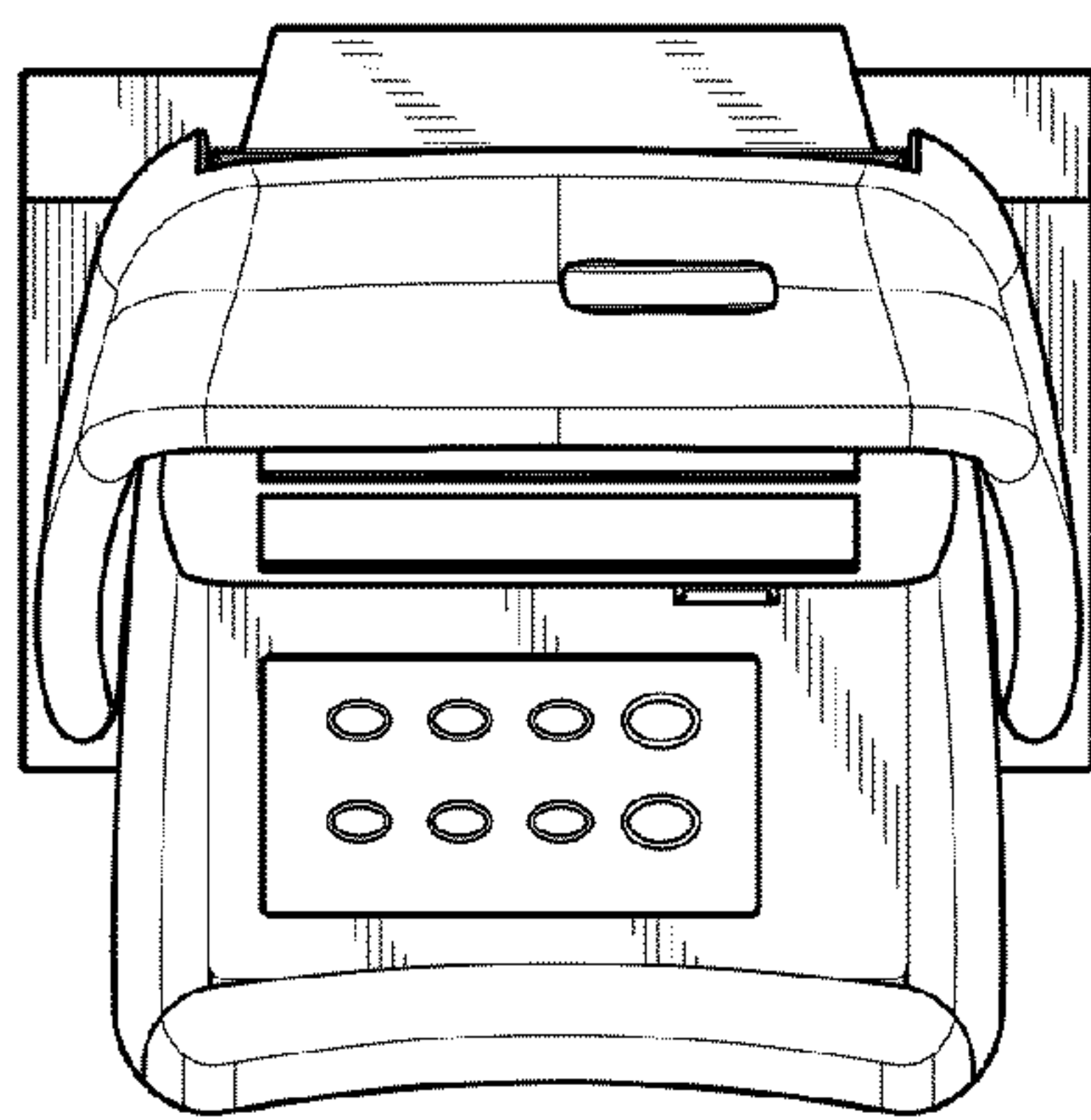


Fig.2

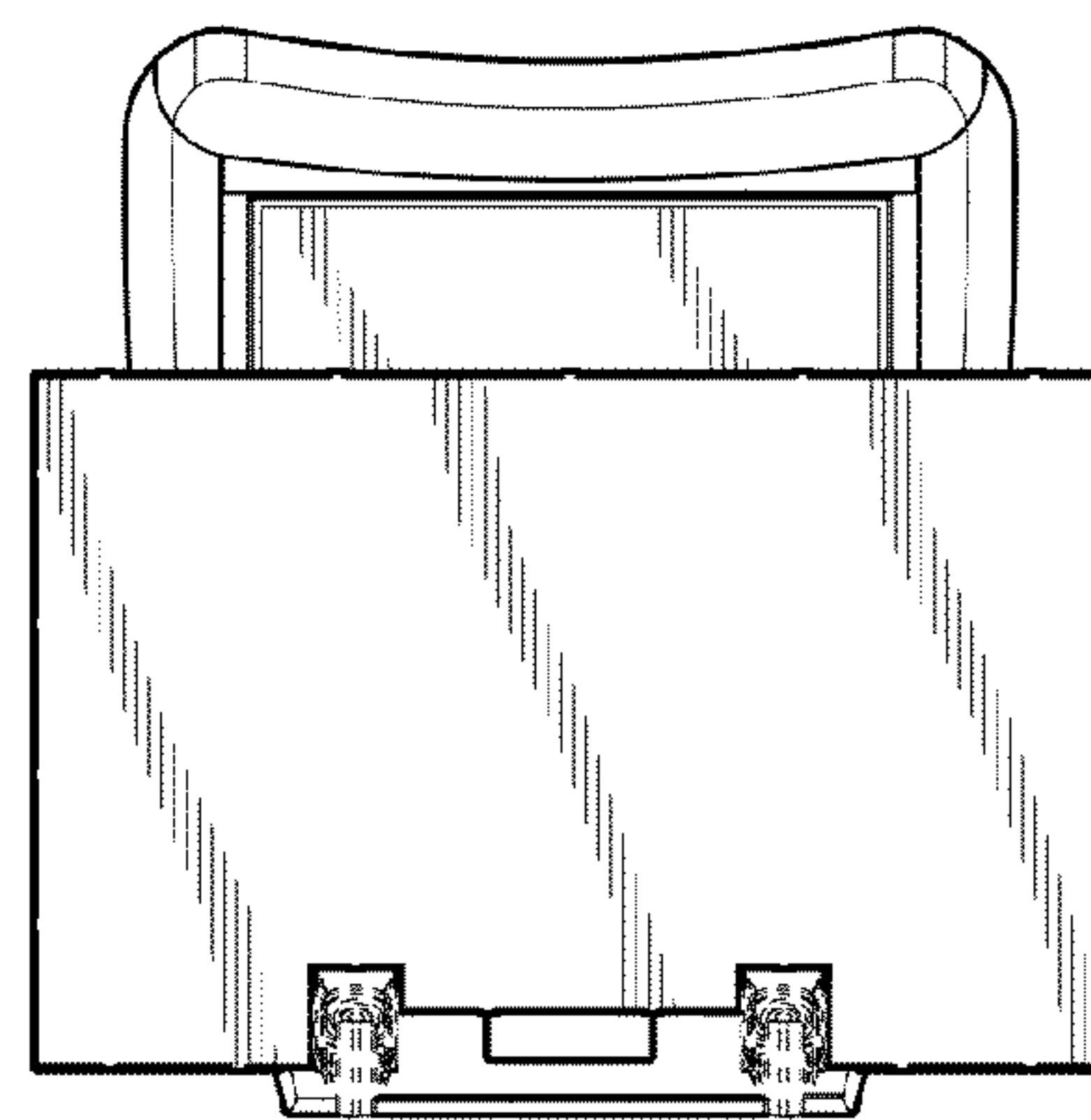


Fig.3

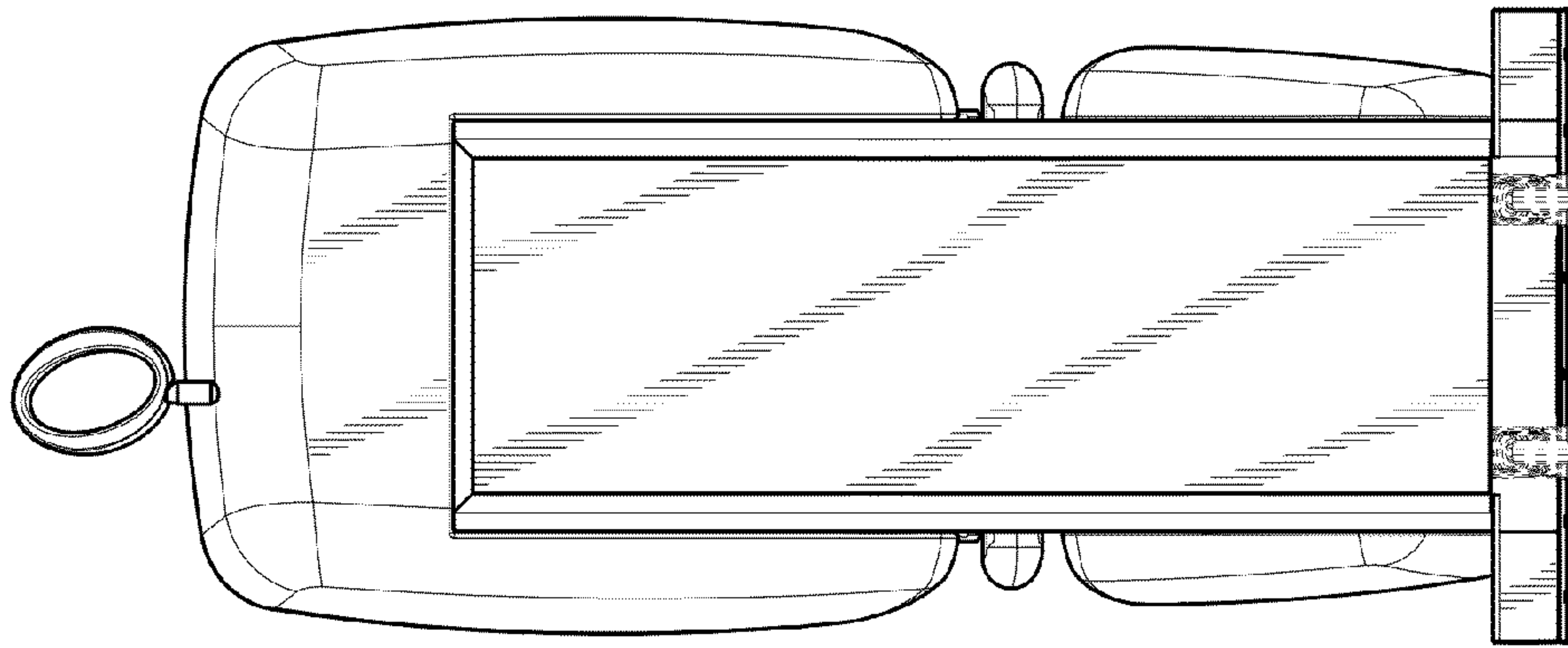


Fig.7

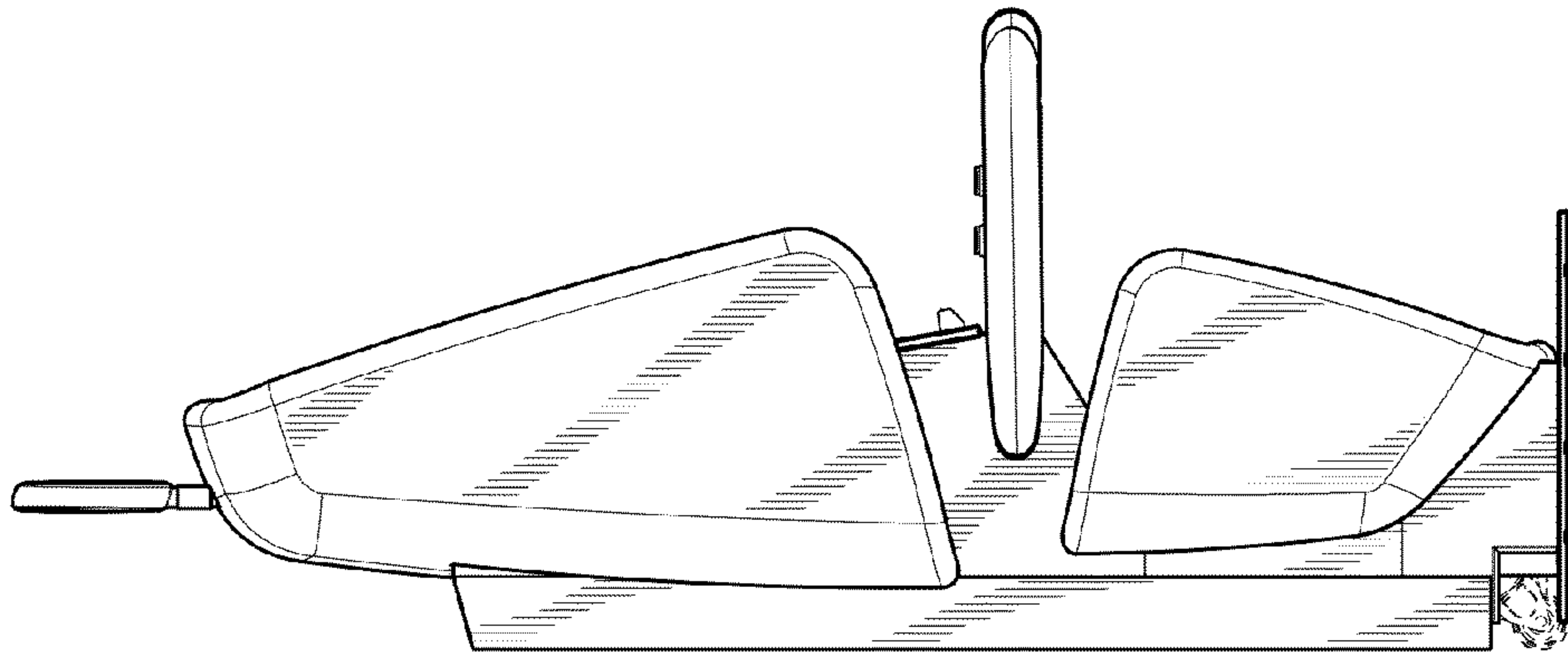


Fig.6

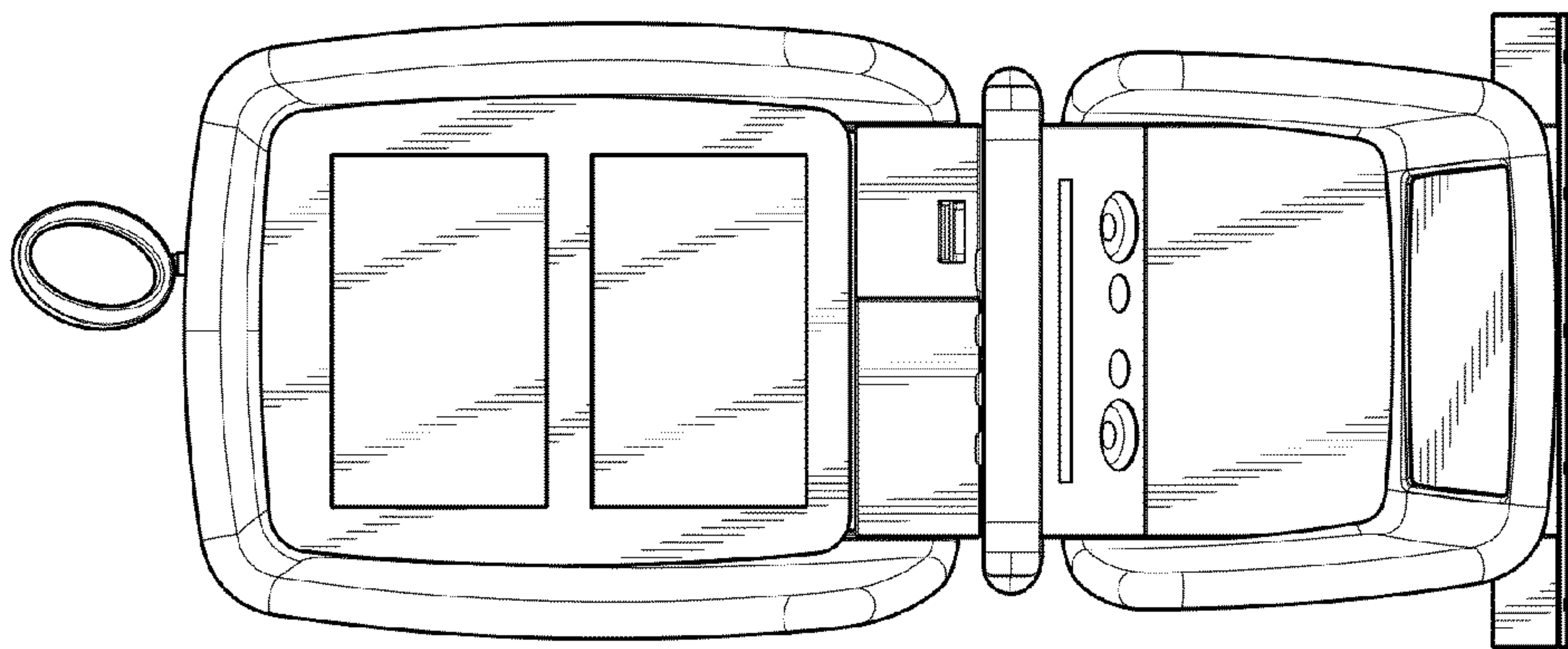


Fig.5

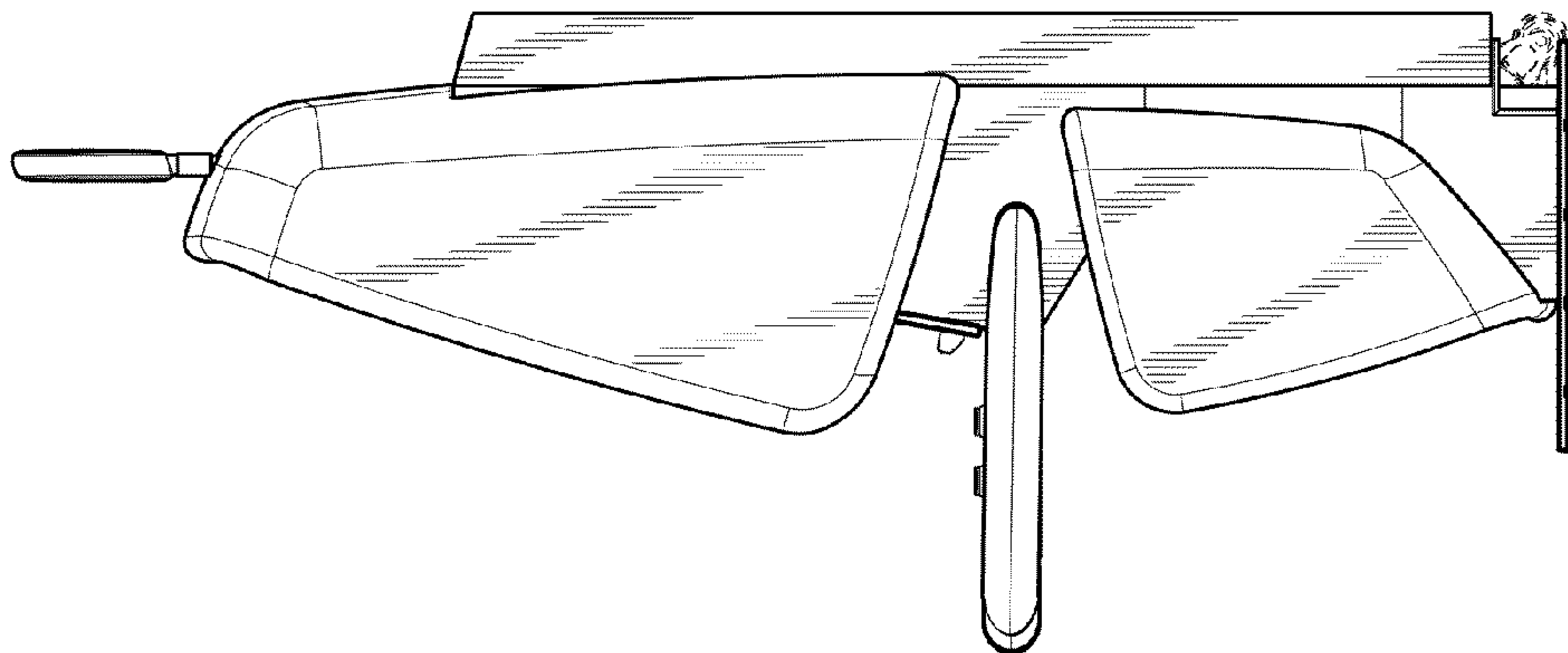


Fig.4