



US00D705868S

(12) **United States Design Patent**  
**Harrison**

(10) **Patent No.:** **US D705,868 S**

(45) **Date of Patent:** **\*\* May 27, 2014**

(54) **PENCIL HOLDER**

(71) Applicant: **Jerome Harrison**, Lenox, MI (US)

(72) Inventor: **Jerome Harrison**, Lenox, MI (US)

(\*\*) Term: **14 Years**

(21) Appl. No.: **29/442,719**

(22) Filed: **Apr. 26, 2013**

(51) **LOC (10) Cl.** ..... **19-06**

(52) **U.S. Cl.**  
USPC ..... **D19/204**

(58) **Field of Classification Search**  
USPC ..... D3/206, 207, 310, 313; D6/672, 682.1,  
D6/682.2; D7/701-708; D19/75, 77-85,  
D19/91, 94, 97, 99, 100, 135, 204; 24/3.6,  
24/3.7; 206/214, 224, 371; 211/69.1-69.9,  
211/70; 7/158, 160

See application file for complete search history.

(56) **References Cited**

U.S. PATENT DOCUMENTS

208,639	A	10/1878	Scollay	
544,392	A	8/1895	Smith	
1,500,575	A	7/1924	Curtin	
1,595,948	A *	8/1926	King	401/88
1,610,535	A *	12/1926	Smith	24/10 A
1,611,937	A *	12/1926	Nelson	401/82
2,697,258	A	12/1954	Uyal	
4,635,309	A *	1/1987	Larsen	7/158
D344,287	S *	2/1994	Johnson	D19/36
D345,761	S *	4/1994	Bolds	D19/78

5,522,146	A *	6/1996	Warburton	33/347
D372,358	S *	8/1996	Mathison	D3/247
6,276,854	B1 *	8/2001	Mullins	401/88
D450,086	S *	11/2001	Rosenbaum	D19/36
6,948,251	B2 *	9/2005	Jebe et al.	30/452
D524,372	S *	7/2006	Granick	D19/36
D524,863	S *	7/2006	Granick	D19/36
D579,045	S *	10/2008	Allemand	D19/45
D604,768	S *	11/2009	Andoh et al.	D19/54
8,191,192	B1 *	6/2012	Barker	7/160

\* cited by examiner

*Primary Examiner* — Elizabeth Albert

(74) *Attorney, Agent, or Firm* — Paul R. Martin

(57) **CLAIM**

The ornamental design for a pencil holder, as shown and described.

**DESCRIPTION**

FIG. 1 is a perspective view of a pencil holder showing my new design.

FIG. 2 is an elevational view of the front thereof.

FIG. 3 is an elevational view of one side thereof. The opposite side elevational view is a mirror image thereof.

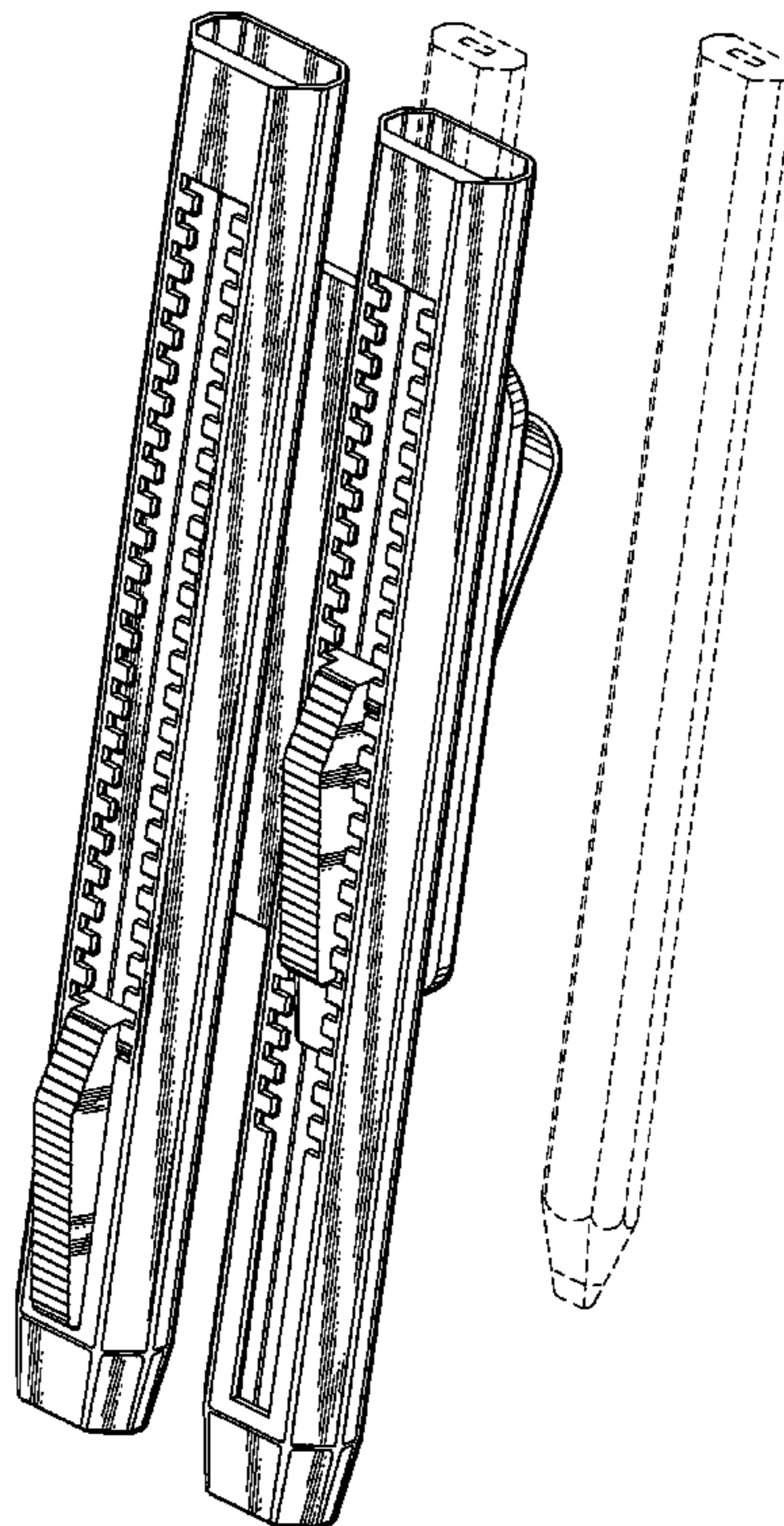
FIG. 4 is an elevational view of the back thereof.

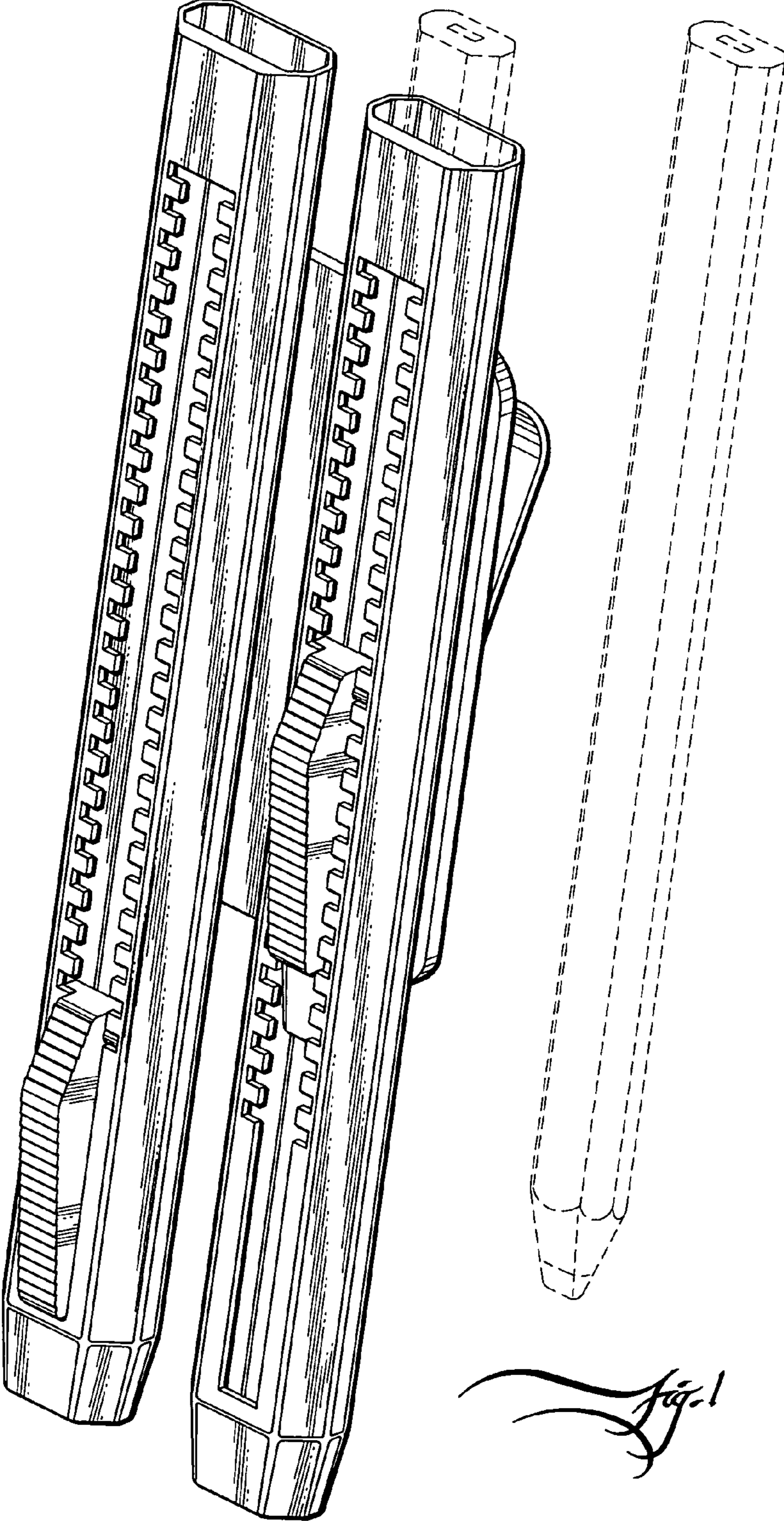
FIG. 5 is a top plan view thereof; and,

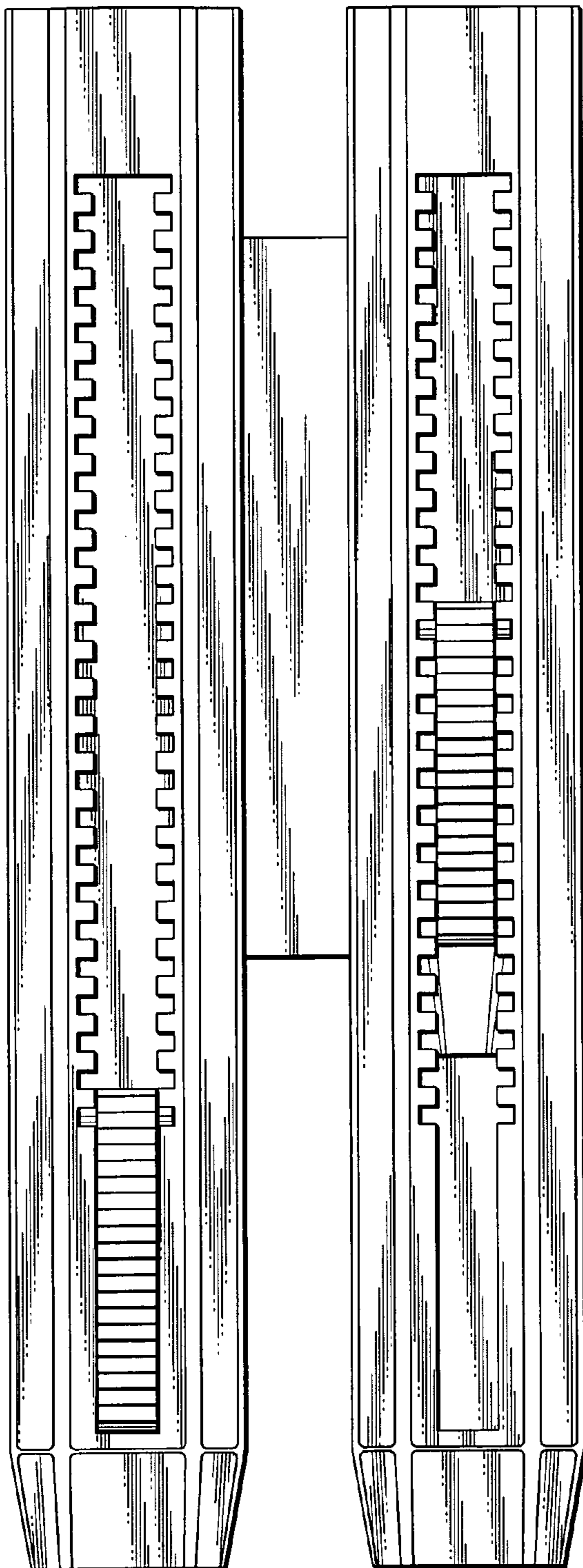
FIG. 6 is a bottom plan view thereof.

The pencils in FIG. 1 and the inside surfaces in FIG. 5 are included to show features that form no part of the claimed design.

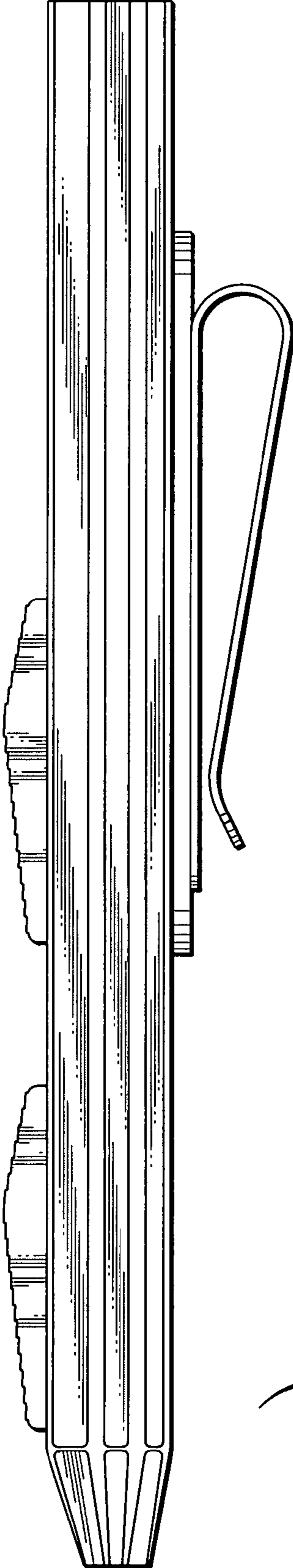
**1 Claim, 5 Drawing Sheets**





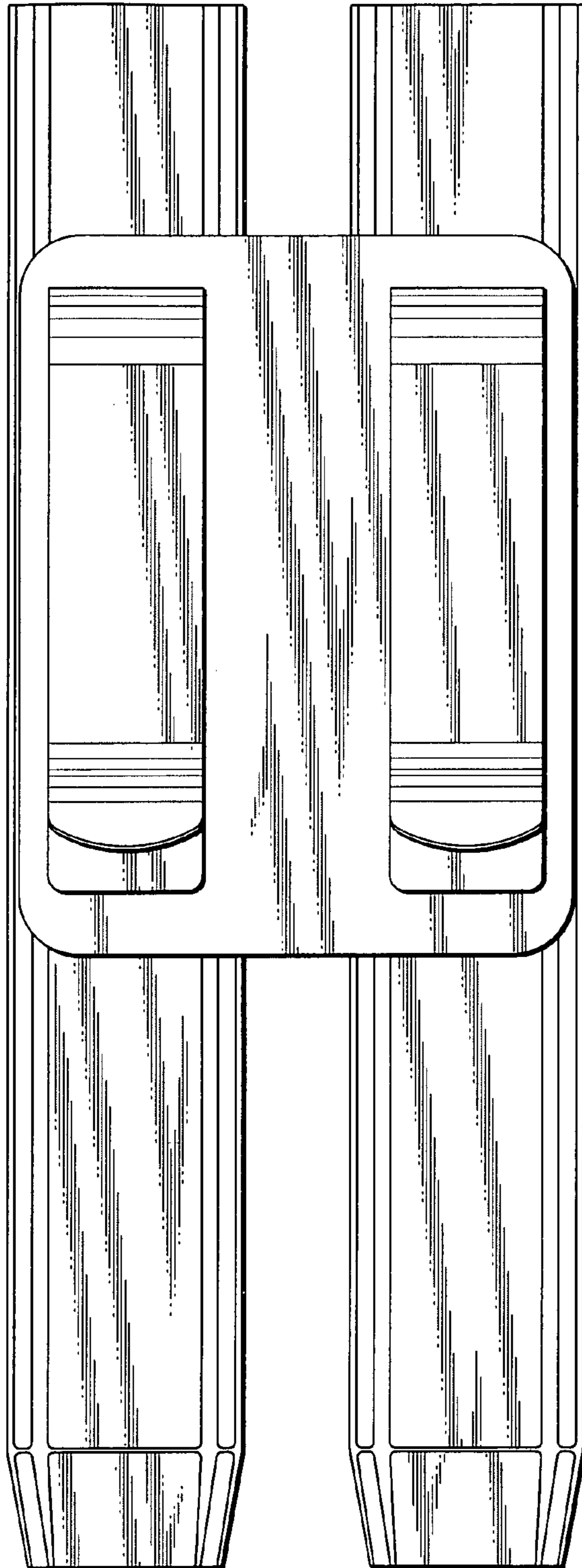


*Fig. 2*

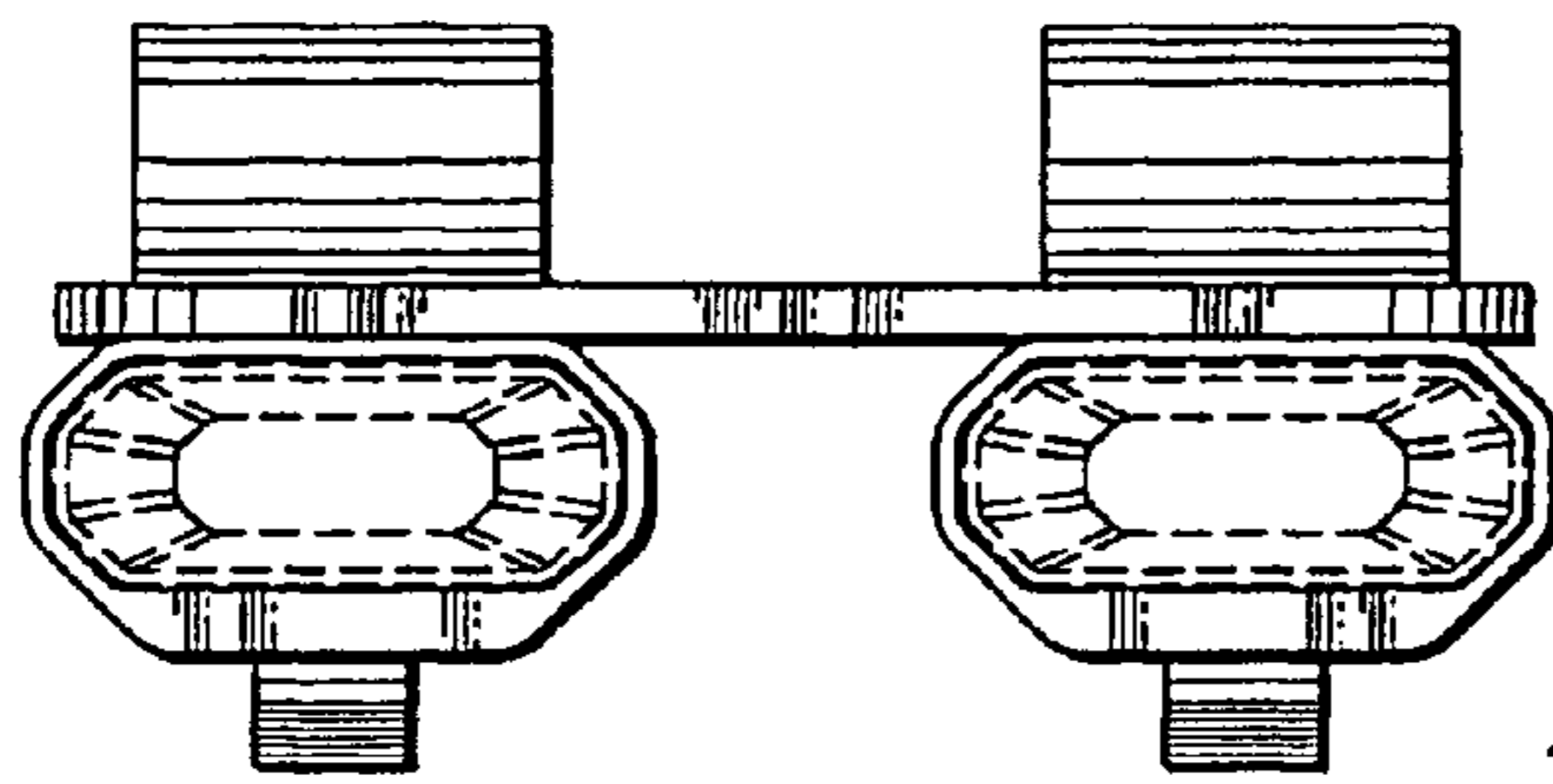


*Fig. 3*

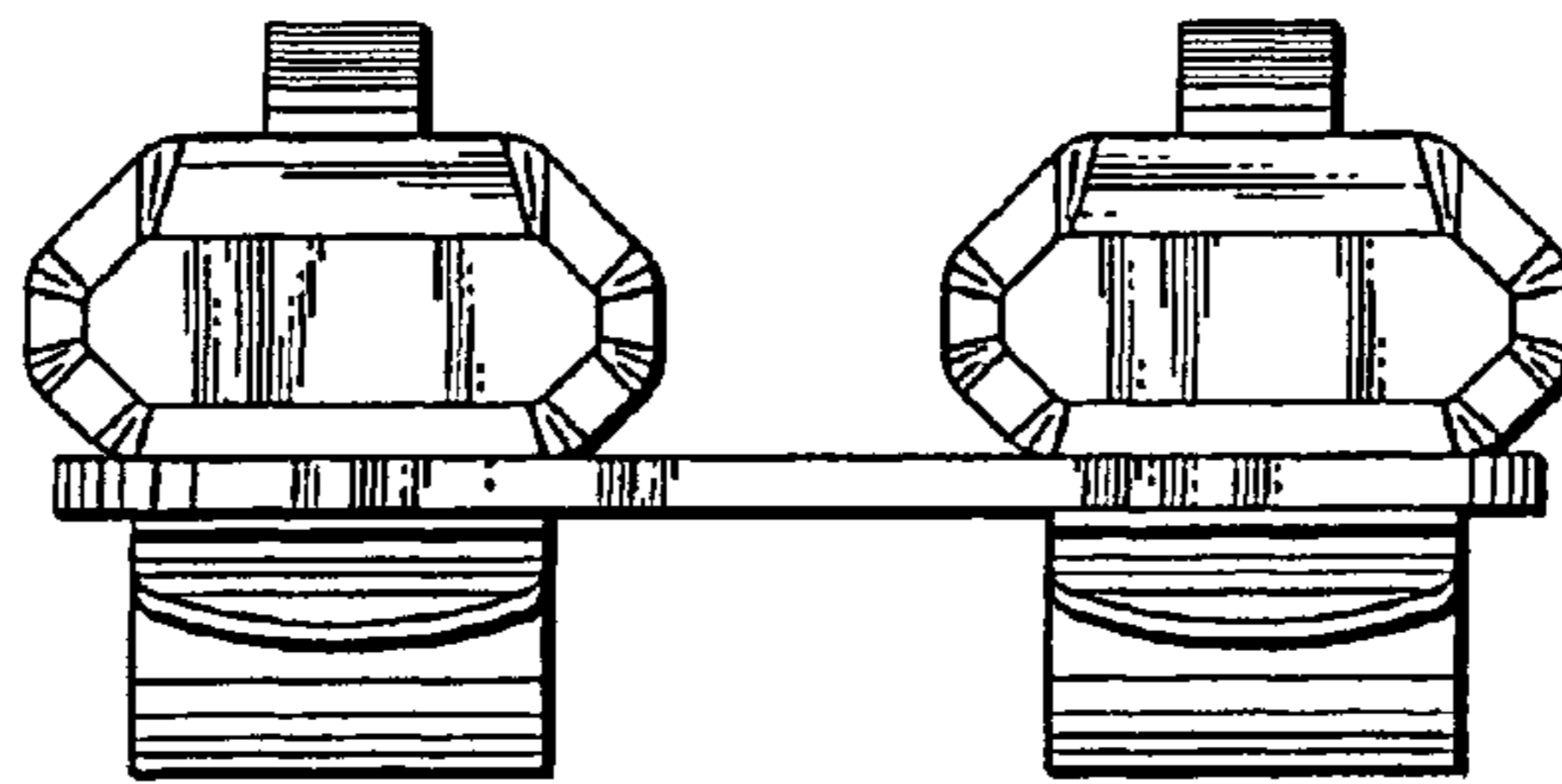




*Fig. 4*



*Fig. 5*



*Fig. 6*