



US00D705867S

(12) **United States Design Patent**
Turan

(10) **Patent No.:** **US D705,867 S**

(45) **Date of Patent:** **** May 27, 2014**

(54) **MARKER**

(71) Applicant: **Scott R. Turan**, Grand Lake, CO (US)

(72) Inventor: **Scott R. Turan**, Grand Lake, CO (US)

(**) Term: **14 Years**

(21) Appl. No.: **29/442,204**

(22) Filed: **Jan. 4, 2013**

(51) **LOC (10) Cl.** **19-06**

(52) **U.S. Cl.**
USPC **D19/185**

(58) **Field of Classification Search**
USPC D14/411; D19/35, 36, 41-51, 53-58;
24/11 R, 11 F, 11 P; 401/52, 99-109,
401/192, 195, 196
See application file for complete search history.

(56) **References Cited**

U.S. PATENT DOCUMENTS

2,095,650	A *	10/1937	Reichenbach	131/329
D239,286	S *	3/1976	Bottcher	D19/54
D424,109	S *	5/2000	Edgerley et al.	D19/43
6,280,109	B1 *	8/2001	Serratore	401/11

7,320,553	B1 *	1/2008	Nunez	401/198
D589,559	S *	3/2009	Slemp	D19/51
D596,668	S *	7/2009	Ehara et al.	D19/55
D605,698	S *	12/2009	Zhang	D19/48
D611,538	S *	3/2010	Zhou	D19/51
D614,623	S *	4/2010	Crisp et al.	D14/411
D648,387	S *	11/2011	Liang	D19/50
D651,247	S *	12/2011	Liang	D19/51
D672,816	S *	12/2012	Li	D19/51
D682,833	S *	5/2013	Paschke et al.	D14/411

* cited by examiner

Primary Examiner — Elizabeth Albert

(74) *Attorney, Agent, or Firm* — William E. Hein

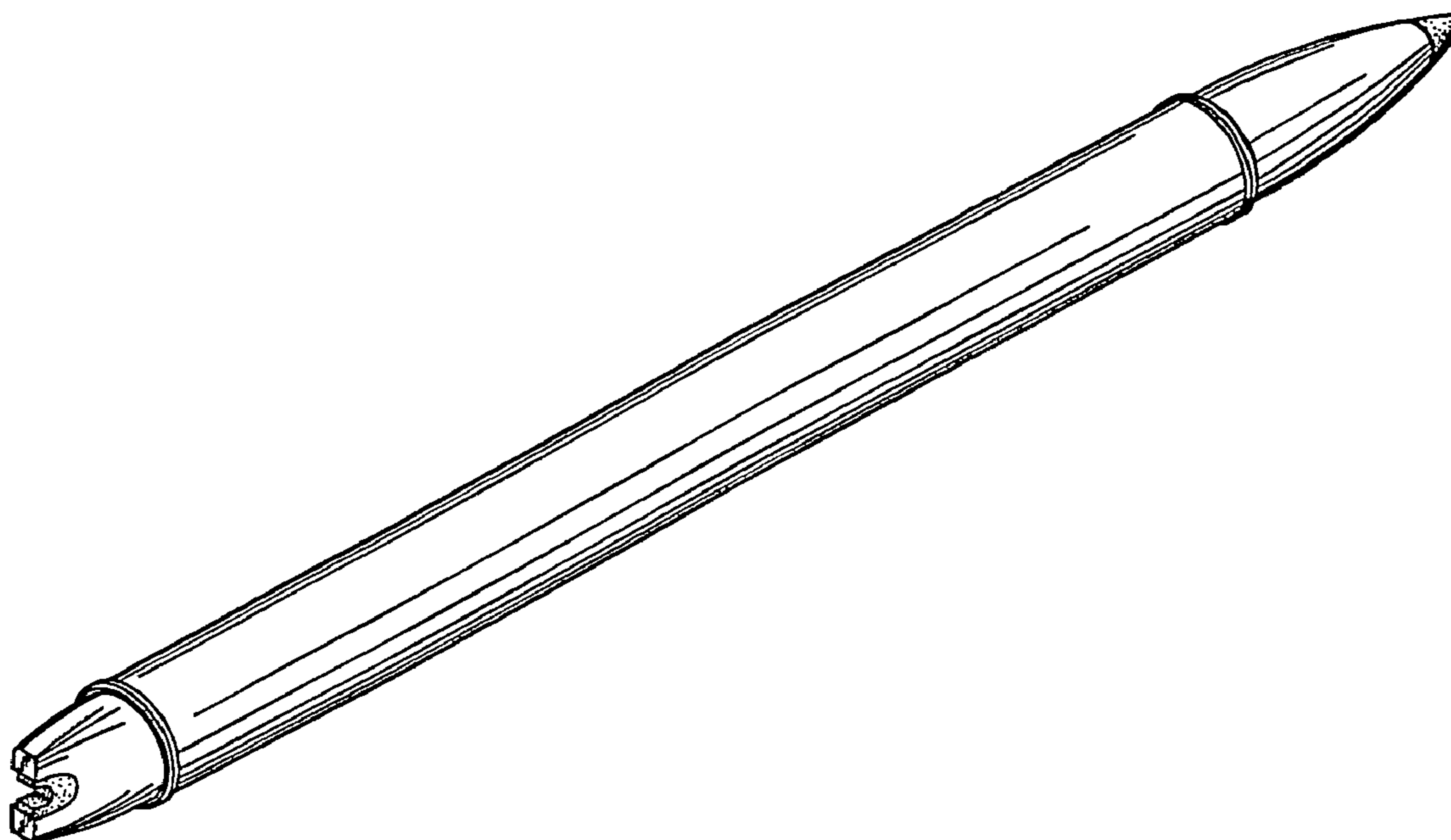
(57) **CLAIM**

The ornamental design for a marker, as shown and described.

DESCRIPTION

FIG. 1 is a perspective view of a marker showing my new design;
FIG. 2 is a front elevation view, the rear elevation view being a mirror image thereof;
FIG. 3 is a top plan view, the bottom plan view being identical thereto;
FIG. 4 is a left side elevation view; and,
FIG. 5 is a right side elevation view.

1 Claim, 1 Drawing Sheet



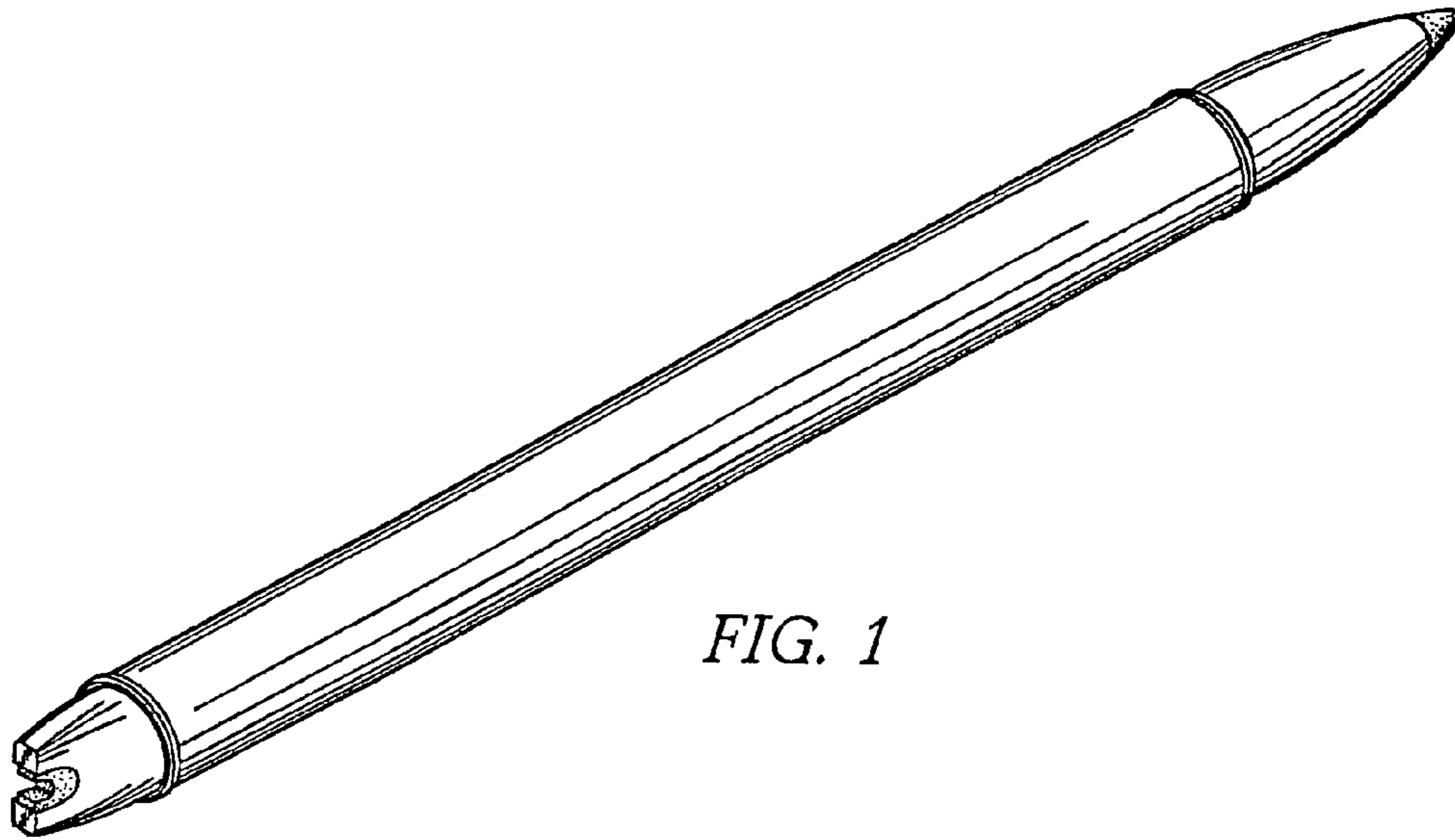


FIG. 1

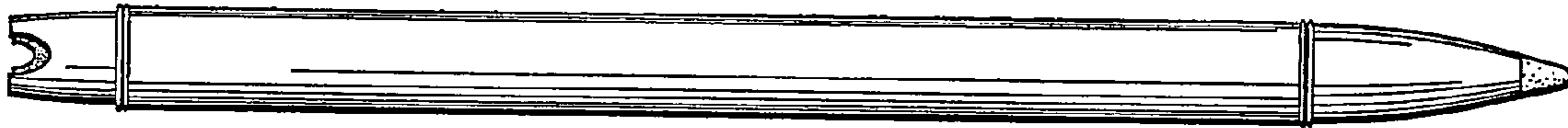


FIG. 2

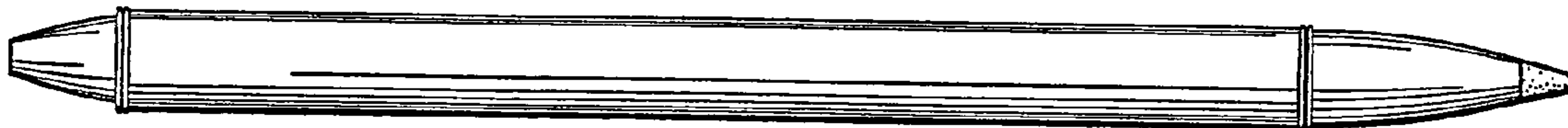


FIG. 3



FIG. 4



FIG. 5