



US00D705866S

(12) **United States Design Patent**
Adelman et al.

(10) **Patent No.:** **US D705,866 S**
(45) **Date of Patent:** **** May 27, 2014**

- (54) **PEN HOLDER INCLUDING A STYLUS**
- (71) Applicant: **Nite Ize, Inc.**, Boulder, CO (US)
- (72) Inventors: **Gregory M. Adelman**, Boulder, CO (US); **Bowden Ormsbee**, Longmont, CO (US)
- (73) Assignee: **Nite Ize, Inc.**, Boulder, CO (US)
- (**) Term: **14 Years**
- (21) Appl. No.: **29/441,478**
- (22) Filed: **Jan. 5, 2013**
- (51) **LOC (10) Cl.** **19-06**
- (52) **U.S. Cl.**
USPC **D19/135**
- (58) **Field of Classification Search**
USPC D14/411; D19/35, 36, 41-51, 53-58, D19/75, 77-85, 91, 99, 100, 135; 24/11 F, 24/11 R, 11 P, 3.6, 3.7; 402/52, 99-109, 402/192, 195, 196; D3/206; D6/672, 682.1, D6/682.2; 206/214, 224, 371; 211/69.1-69.9, 70
See application file for complete search history.

D452,926 S *	1/2002	Wu	D26/39
D468,770 S *	1/2003	Rosenbaum	D19/44
D484,263 S *	12/2003	Kelleghan	D26/37
D494,695 S *	8/2004	Oas	D26/37
D495,074 S *	8/2004	Oas	D26/37
D495,362 S *	8/2004	Qiu	D19/43
D503,005 S *	3/2005	Fujita	D26/37
D525,780 S *	8/2006	Kelleghan	D3/215
D526,555 S *	8/2006	Kelleghan	D8/107
D528,689 S *	9/2006	Opolka	D26/37
D529,088 S *	9/2006	Gnesin	D19/36
D531,216 S *	10/2006	Oas	D19/36
D533,760 S *	12/2006	Kelleghan	D8/107
D534,585 S *	1/2007	Oas	D19/44
7,168,105 B2	1/2007	Adelman		

(Continued)

Primary Examiner — Elizabeth Albert
(74) *Attorney, Agent, or Firm* — Patton Boggs LLP

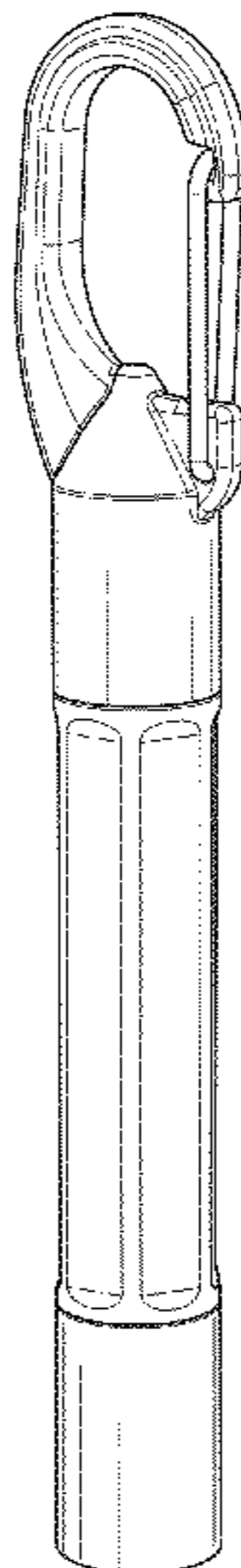
(57) **CLAIM**
The ornamental design for a pen holder including a stylus, as shown and described.

DESCRIPTION

FIG. 1 is a front perspective view of a pen holder including a stylus;
FIG. 2 is a rear perspective view of the pen holder including a stylus of FIG. 1;
FIG. 3 is a front view of the pen holder including a stylus of FIG. 1;
FIG. 4 is a rear view of the pen holder including a stylus of FIG. 1;
FIG. 5 is a left view of the pen holder including a stylus of FIG. 1;
FIG. 6 is a right view of the pen holder including a stylus of FIG. 1;
FIG. 7 is a top view of the pen holder including a stylus of FIG. 1; and,
FIG. 8 is a bottom view of the pen holder including a stylus of FIG. 1.

1 Claim, 4 Drawing Sheets

- (56) **References Cited**
U.S. PATENT DOCUMENTS
692,009 A 1/1902 Gilbert
1,546,715 A 7/1925 Calvento
D107,640 S * 12/1937 Quinzio D19/58
2,318,171 A 5/1943 Lipic, Jr.
3,174,461 A 3/1965 Pompa
4,317,638 A 3/1982 Klaber
4,558,966 A 12/1985 Mikuteit
4,833,902 A 5/1989 Mori
4,974,982 A 12/1990 Nielson
5,957,608 A 9/1999 Matsumoto et al.
D437,995 S * 2/2001 Perthou D3/207
6,264,389 B1 7/2001 Ducharme



US D705,866 S

Page 2

(56)

References Cited

U.S. PATENT DOCUMENTS

D538,341 S *	3/2007	Oas	D19/44	D573,643 S *	7/2008	Brigham et al.	D19/57
D546,879 S *	7/2007	Qiu	D19/44	D602,084 S *	10/2009	Mackay et al.	D19/44
D572,755 S *	7/2008	Brigham et al.	D19/44	2003/0152412 A1	8/2003	Rosso	
				2005/0277316 A1*	12/2005	Cohen	439/135

* cited by examiner

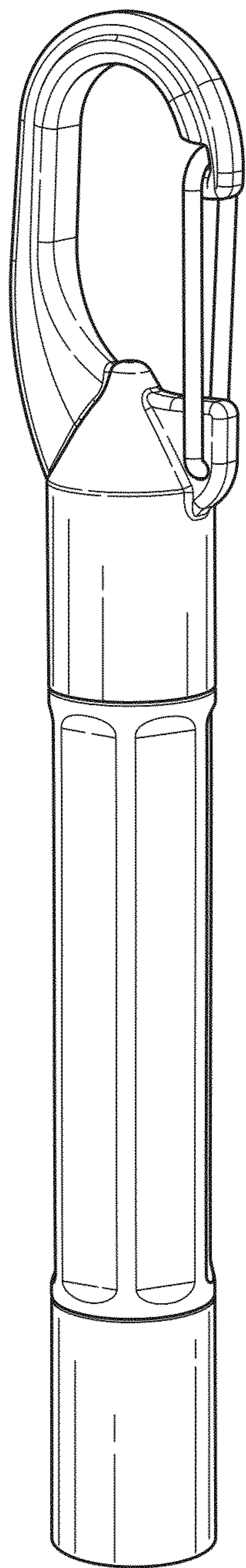


FIG. 1

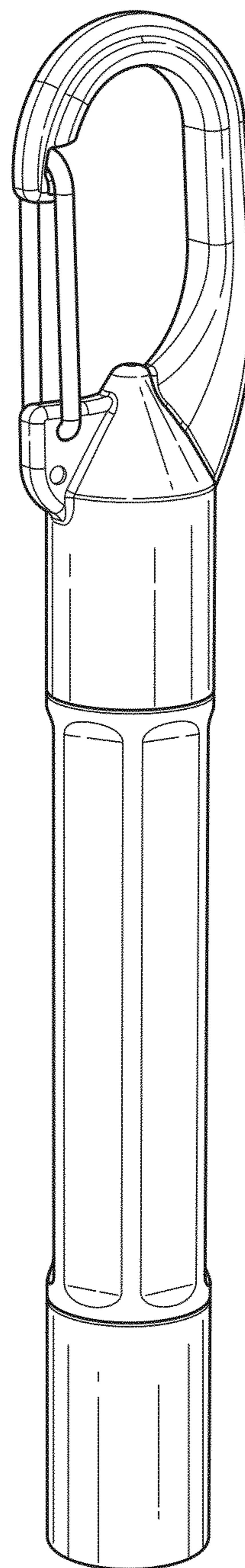


FIG. 2

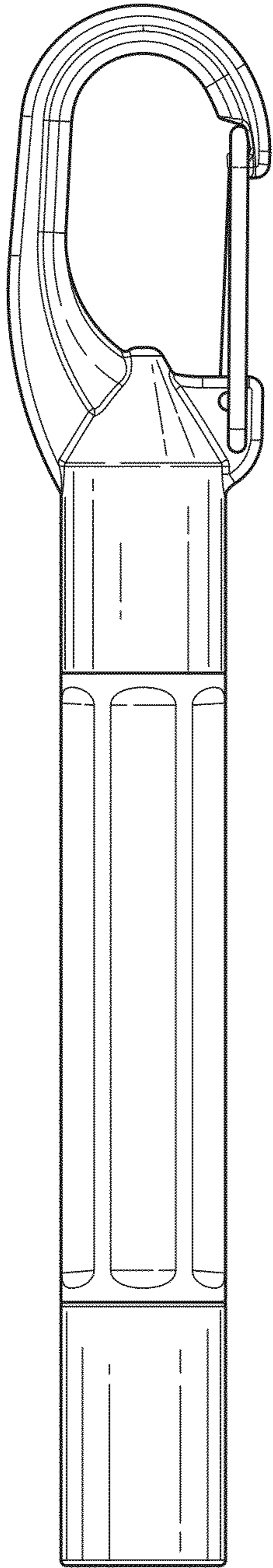


FIG. 3

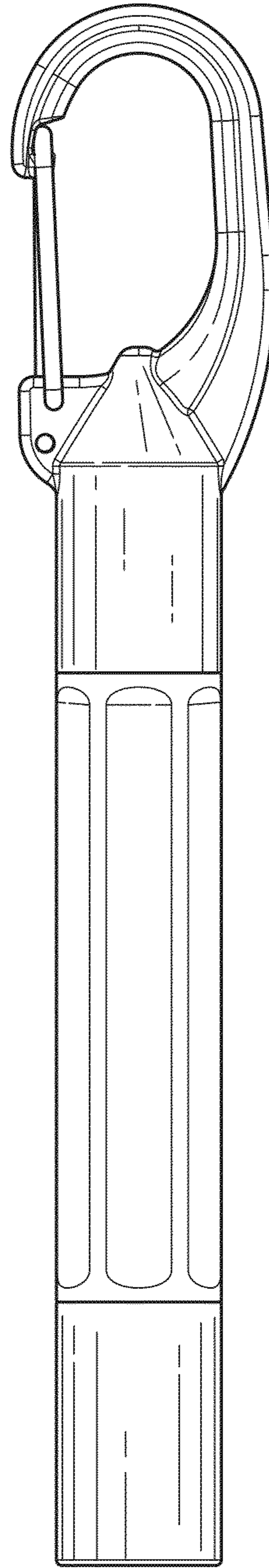


FIG. 4

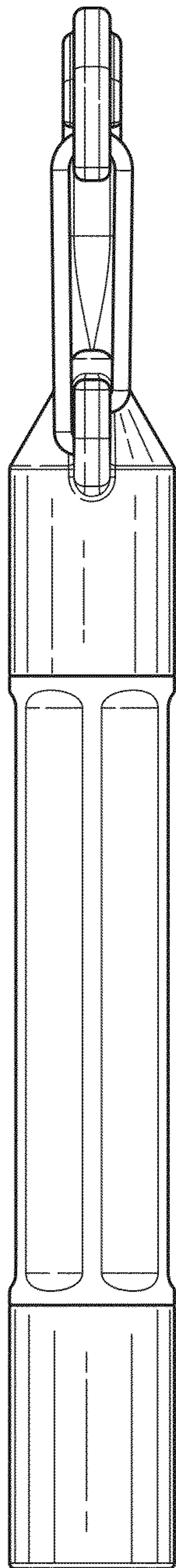


FIG. 5

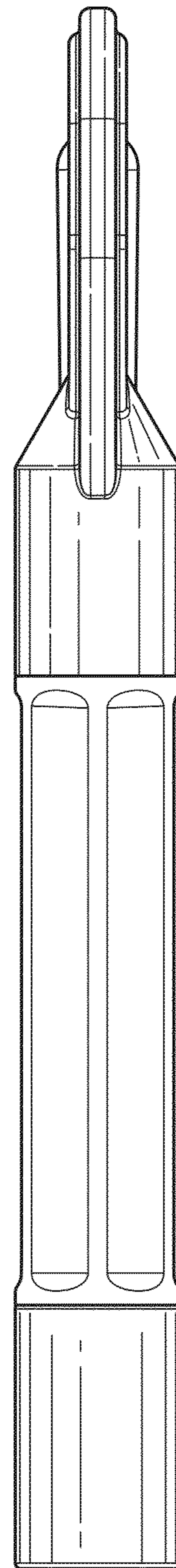


FIG. 6

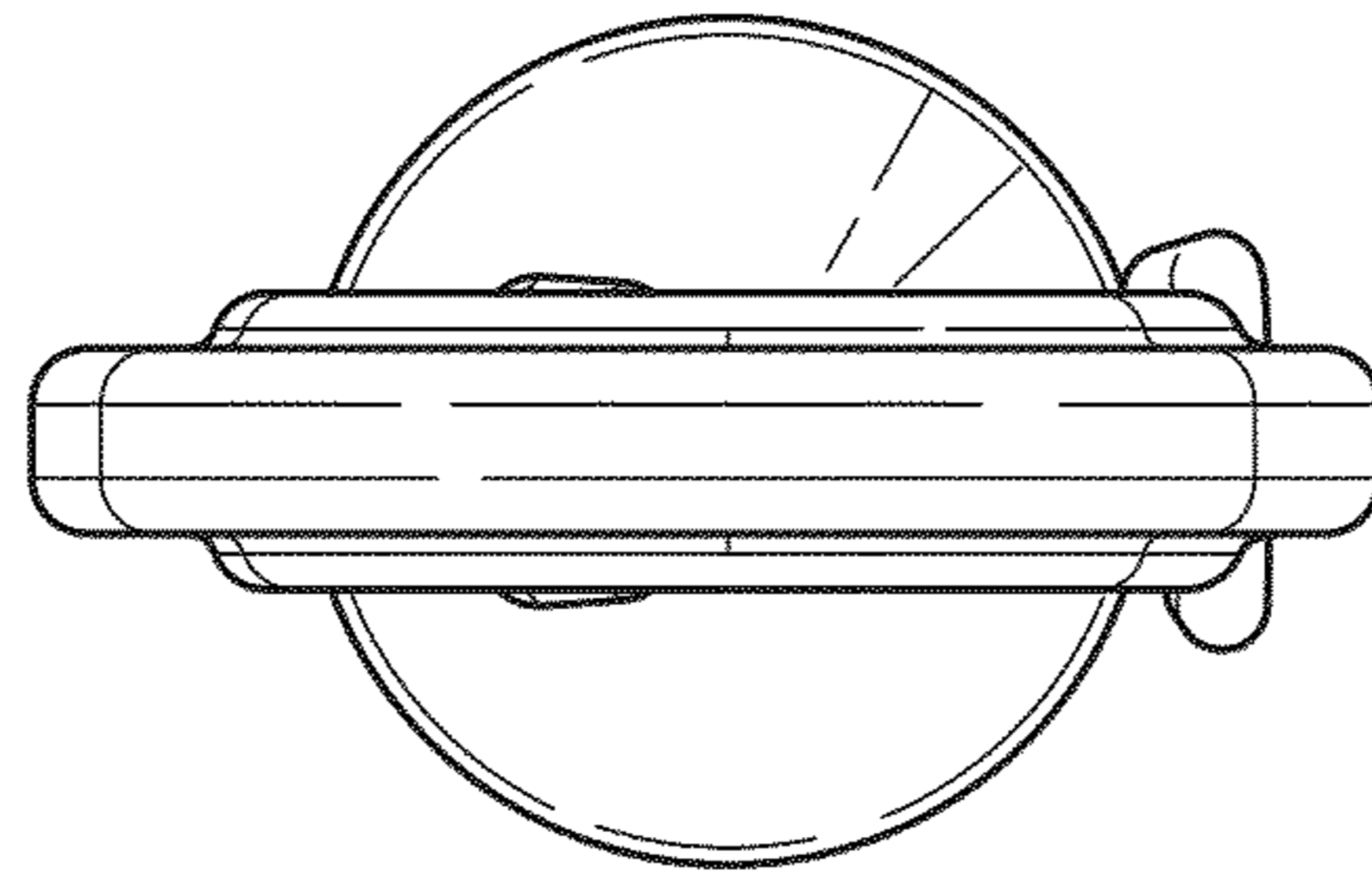


FIG. 7

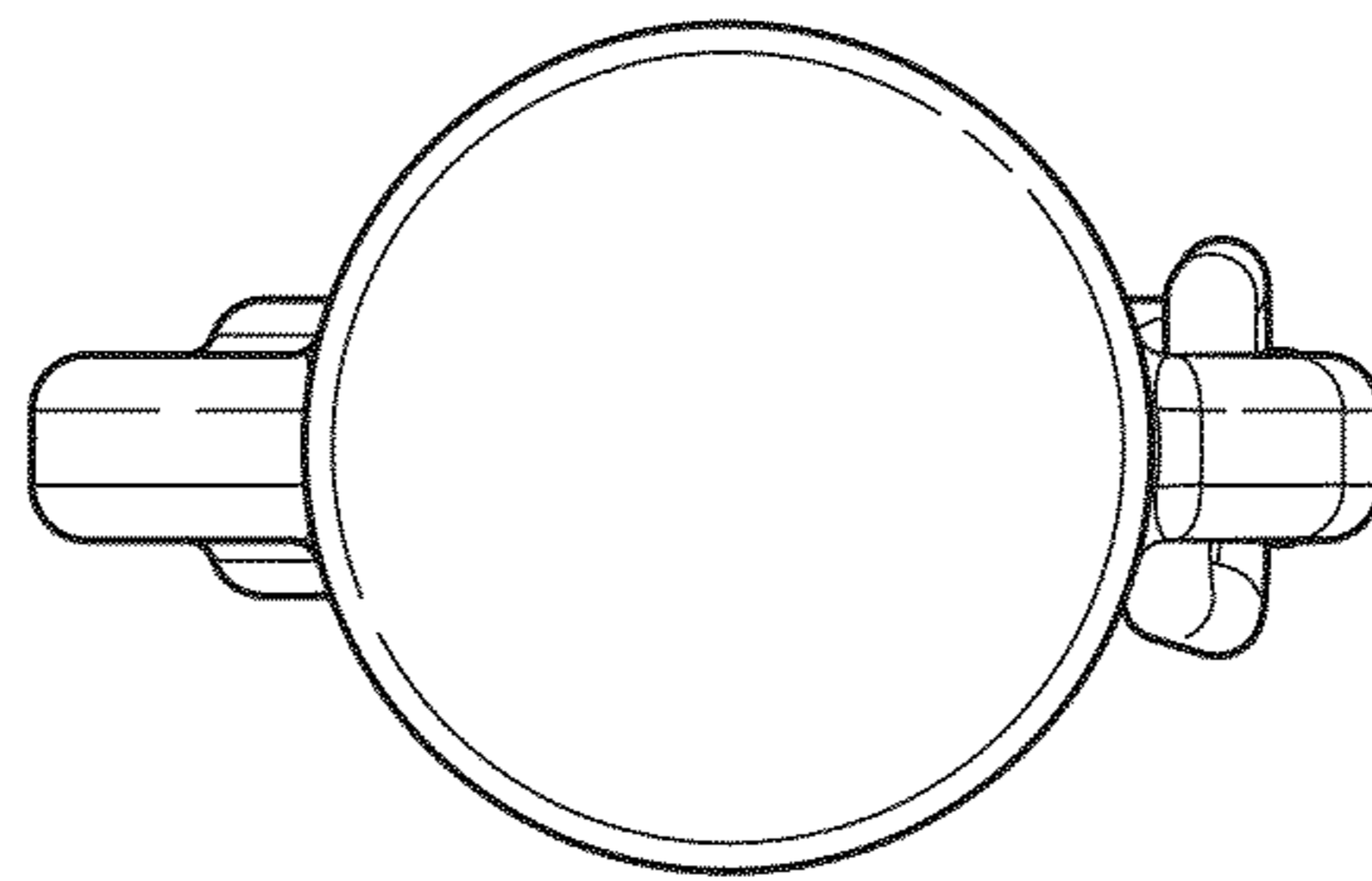


FIG. 8