

US00D705863S

(12) **United States Design Patent**
Klosky

(10) **Patent No.:** **US D705,863 S**

(45) **Date of Patent:** **** May 27, 2014**

- (54) **FOLDER**
- (71) Applicant: **Ideastream Consumer Products LLC**,
Cleveland, OH (US)
- (72) Inventor: **Eric Fitzgerald Klosky**, Chagrin Falls,
OH (US)

2,599,768	A *	6/1952	Losch, Jr.	402/79
3,524,688	A *	8/1970	Dean	312/184
3,683,533	A *	8/1972	Kelly	40/359
3,999,819	A *	12/1976	Schreyer	312/184
4,477,013	A *	10/1984	Herrin	229/67.1
4,485,962	A *	12/1984	Farley	229/67.1
4,576,328	A *	3/1986	Snider et al.	229/67.1

(Continued)

- (73) Assignee: **Ideastream Consumer Products, LLC**,
Cleveland, OH (US)

Primary Examiner — Elizabeth Albert
(74) *Attorney, Agent, or Firm* — Calfee, Halter & Griswold
LLP

(**) Term: **14 Years**

(21) Appl. No.: **29/437,711**

(22) Filed: **Nov. 20, 2012**

(57) **CLAIM**
I claim the ornamental design for a folder, as shown and described.

Related U.S. Application Data

- (63) Continuation-in-part of application No. 29/388,222,
filed on Mar. 25, 2011.
- (51) **LOC (10) Cl.** **19-04**
- (52) **U.S. Cl.**
USPC **D19/26**
- (58) **Field of Classification Search**
USPC D19/26-33, 86, 90, 99; 40/359, 641;
206/425; 211/46, 113, 126.13, 162;
229/67.1, 67.2, 67.3, 67.4; 281/29, 31,
281/45

DESCRIPTION

FIG. 1 is a front/right/top perspective view of a first embodiment of a folder showing our new design;
 FIG. 2 is a front elevational view thereof;
 FIG. 3 is a rear elevational view thereof;
 FIG. 4 is a top plan view thereof;
 FIG. 5 is a bottom plan view thereof;
 FIG. 6 is a right side elevation view thereof;
 FIG. 7 is a left side elevational view thereof;
 FIG. 8 is front/right/top perspective view of a second embodiment of the folder of FIG. 1 wherein FIGS. 1-7 are the same as the first embodiment;
 FIG. 9 is a front/right/top perspective view of a third embodiment of the folder of FIG. 1;
 FIG. 10 is a front elevational view thereof;
 FIG. 11 is a rear elevational view thereof;
 FIG. 12 is a top plan view thereof;
 FIG. 13 is a bottom plan view thereof;
 FIG. 14 is a right side elevational view thereof;
 FIG. 15 is a left side elevational view thereof; and,
 FIG. 16 is a front/right/top perspective view of fourth embodiment of the folder of FIG. 1 wherein FIGS. 9-15 are the same as the second embodiment.

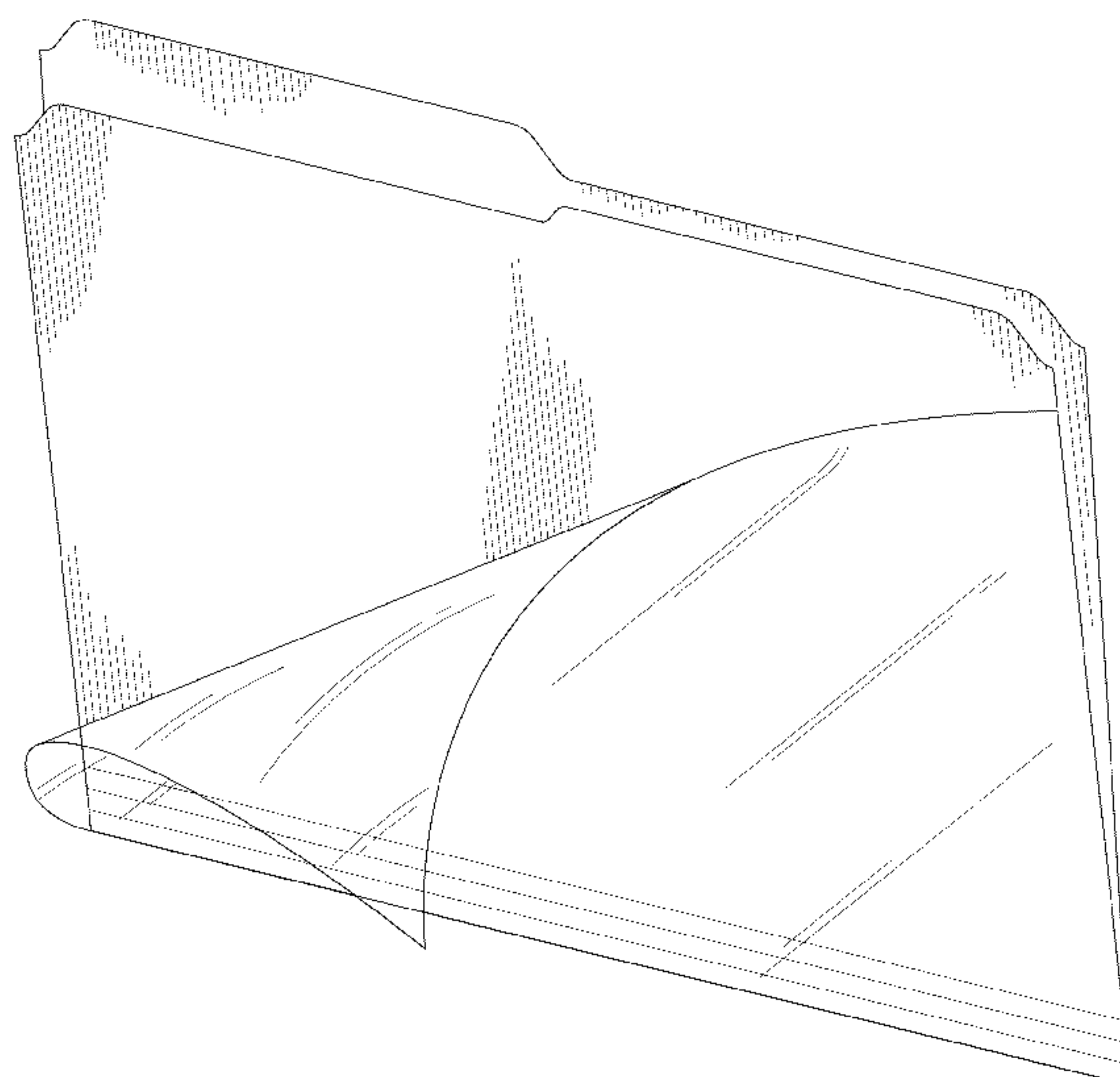
See application file for complete search history.

(56) **References Cited**

U.S. PATENT DOCUMENTS

1,016,789	A *	2/1912	Smith	281/45
1,529,264	A *	3/1925	Mayers	40/359
1,596,311	A *	8/1926	Schaffert	40/359
1,654,545	A *	1/1928	Lindsay	40/359
1,697,985	A *	1/1929	Lindsay	40/359
1,730,644	A *	10/1929	Clark	40/359
1,759,255	A *	5/1930	Greenhaus	229/67.4
2,037,579	A *	4/1936	Jonas	40/359
2,274,909	A *	3/1942	Murray	229/67.1

1 Claim, 8 Drawing Sheets



(56)

References Cited

U.S. PATENT DOCUMENTS

4,806,397	A *	2/1989	Horwitz	428/14	6,808,104	B2 *	10/2004	Cobble	229/67.1
4,923,111	A *	5/1990	Down	229/67.1	D530,743	S *	10/2006	Ong	D19/26
D337,784	S *	7/1993	Wyant	D19/26	7,232,537	B2 *	6/2007	Bullock	264/293
5,749,666	A *	5/1998	Yu	402/18	D601,189	S *	9/2009	Riesterer et al.	D19/26
D405,115	S *	2/1999	Stravitz	D19/90	D637,229	S *	5/2011	Hicks et al.	D19/26
6,004,062	A *	12/1999	Hunter et al.	402/79	7,954,694	B2 *	6/2011	DeCarlo et al.	229/67.2
6,108,953	A *	8/2000	Hall	40/359	8,100,319	B2 *	1/2012	Wittmeyer et al.	229/67.4
6,161,704	A *	12/2000	Stravitz	211/45	8,104,669	B2 *	1/2012	Christensen et al.	229/67.1
6,182,827	B1 *	2/2001	Su	206/425	D688,302	S *	8/2013	Chung	D19/26
6,273,470	B1 *	8/2001	Bullock	281/29	8,550,330	B2 *	10/2013	Black et al.	229/67.2
6,453,589	B1 *	9/2002	Schwartz	40/359	8,567,659	B2 *	10/2013	Chung	229/67.1
6,679,418	B1 *	1/2004	Schwartz	229/67.4	2003/0010815	A1 *	1/2003	Balzer	229/67.1
					2005/0000839	A1 *	1/2005	Densley	206/425
					2008/0197175	A1 *	8/2008	Christensen et al.	229/67.1
					2013/0036637	A1 *	2/2013	Mazursky	40/359

* cited by examiner

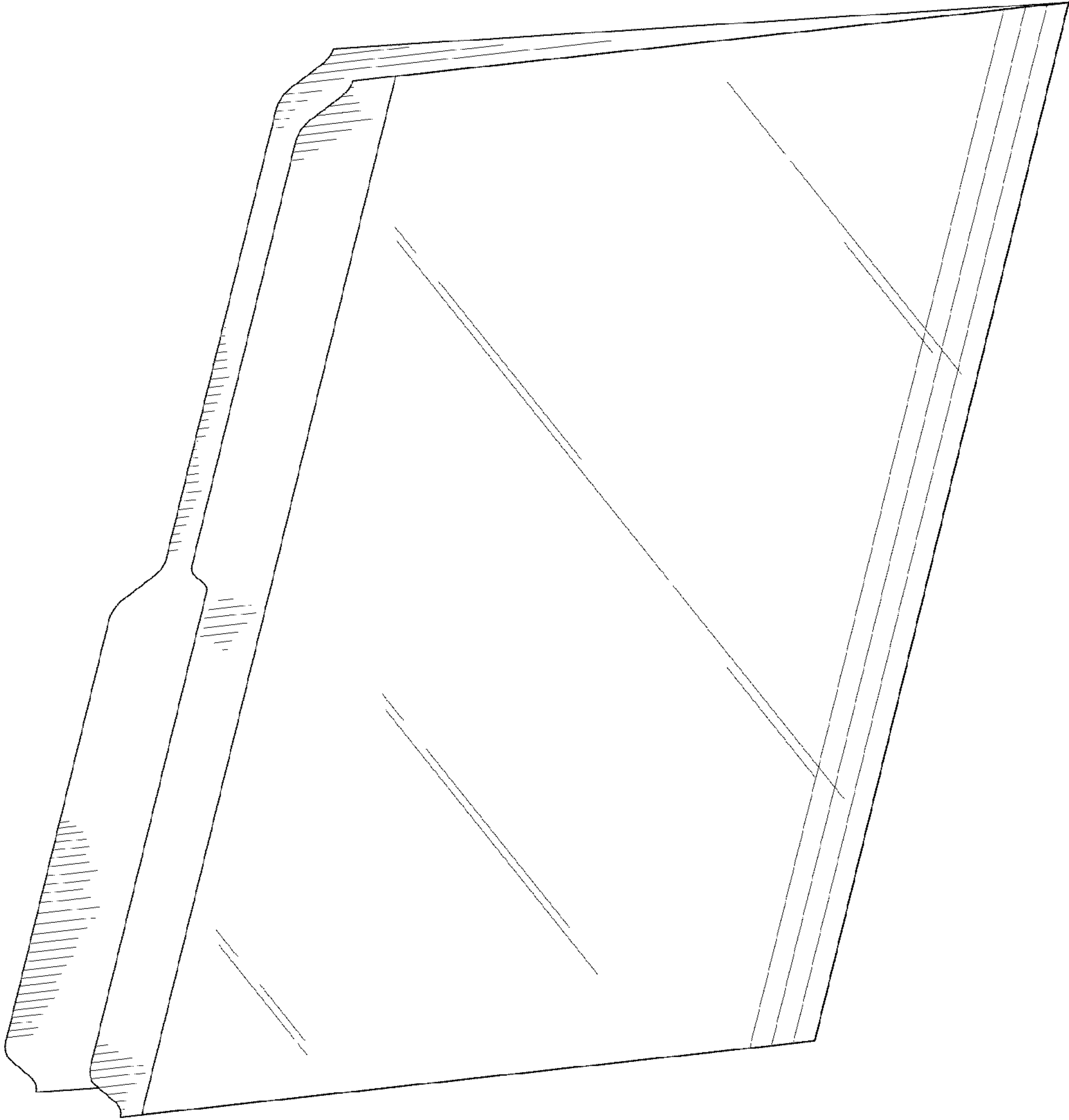


FIG. 1

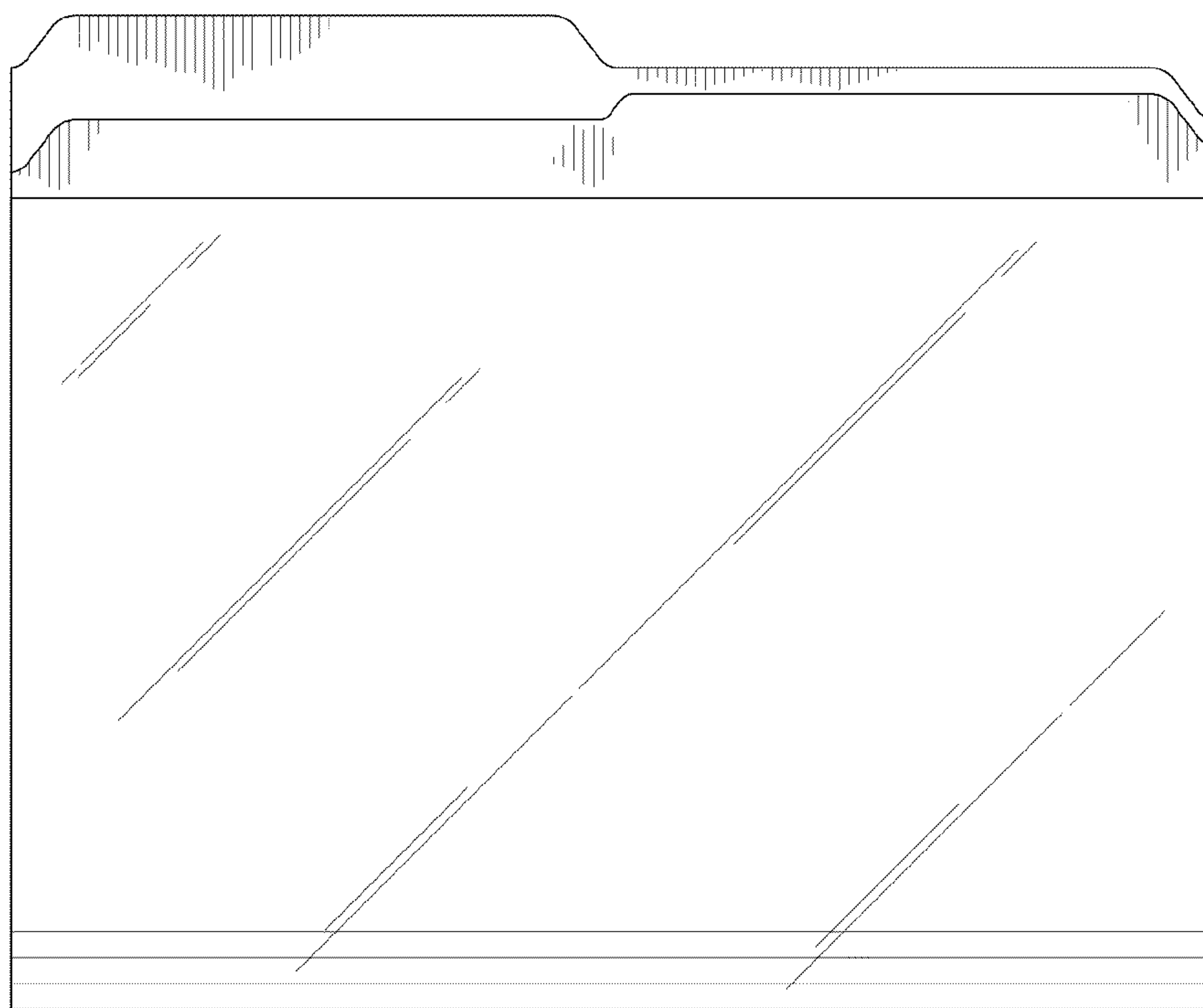


FIG. 2

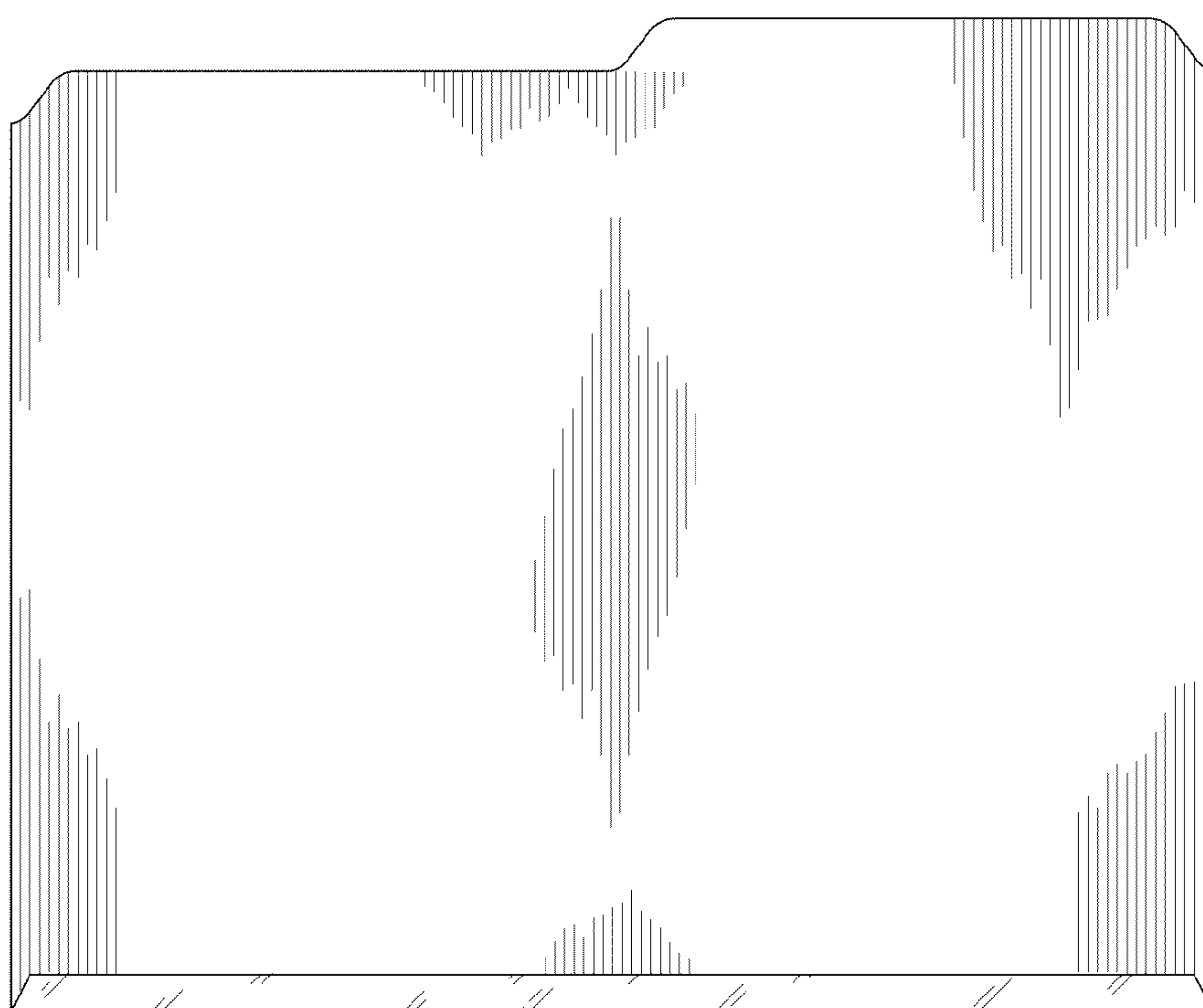


FIG. 3



FIG. 4

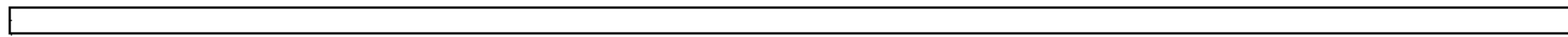


FIG. 5



FIG. 6

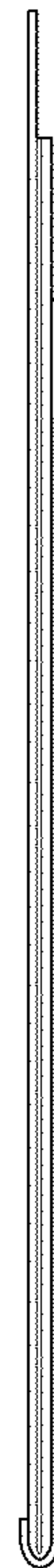


FIG. 7

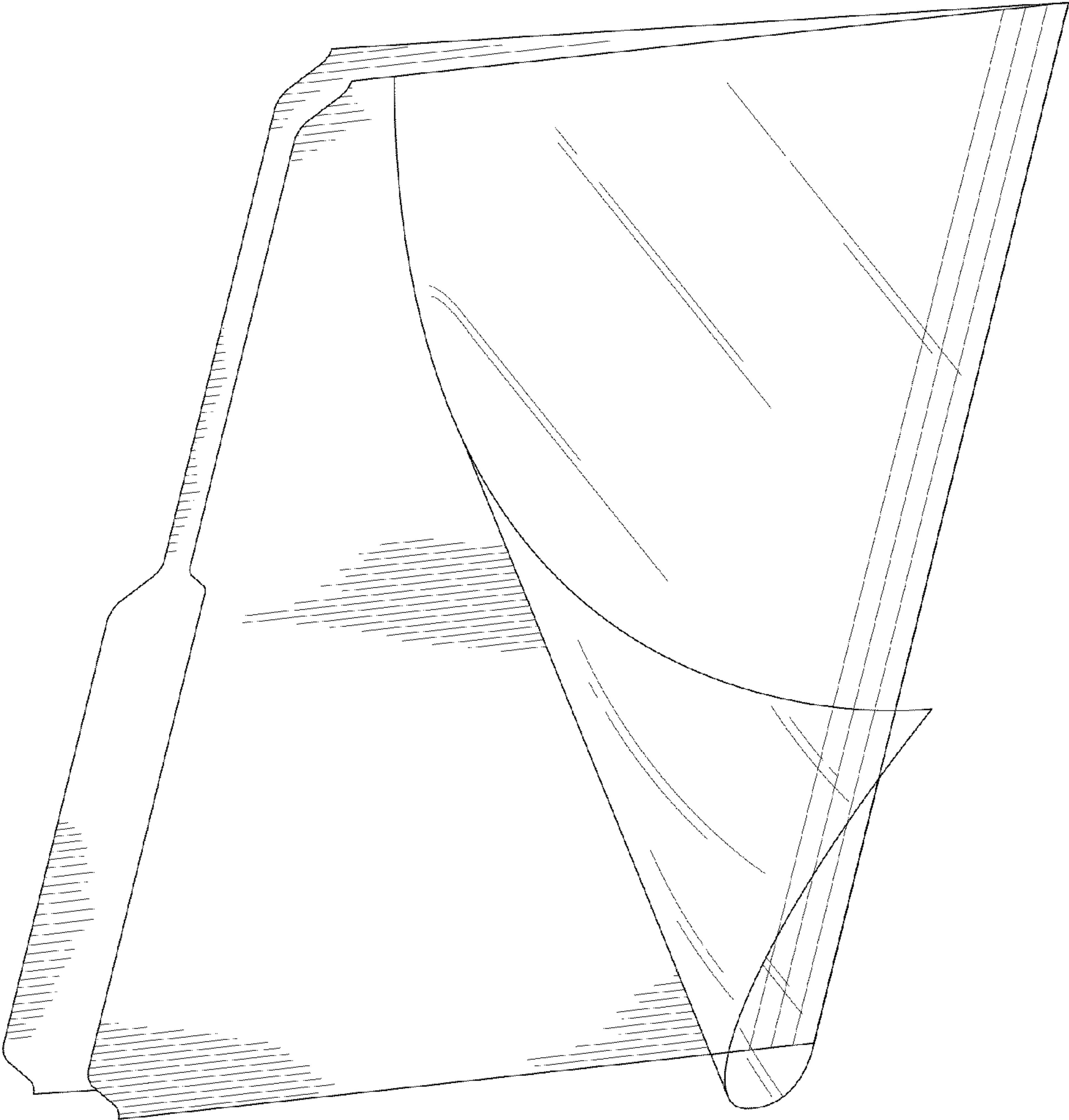


FIG. 8

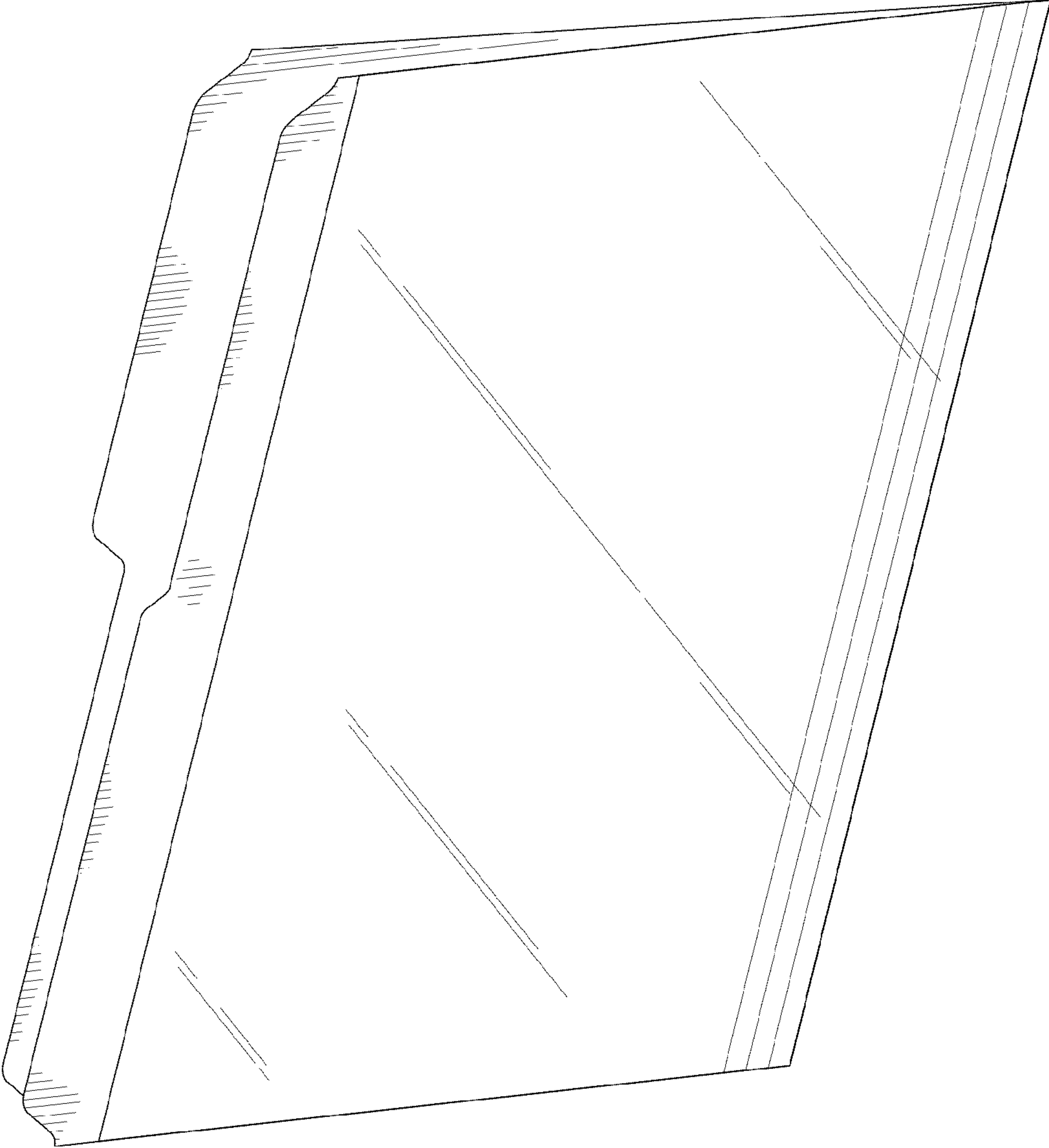


FIG. 9

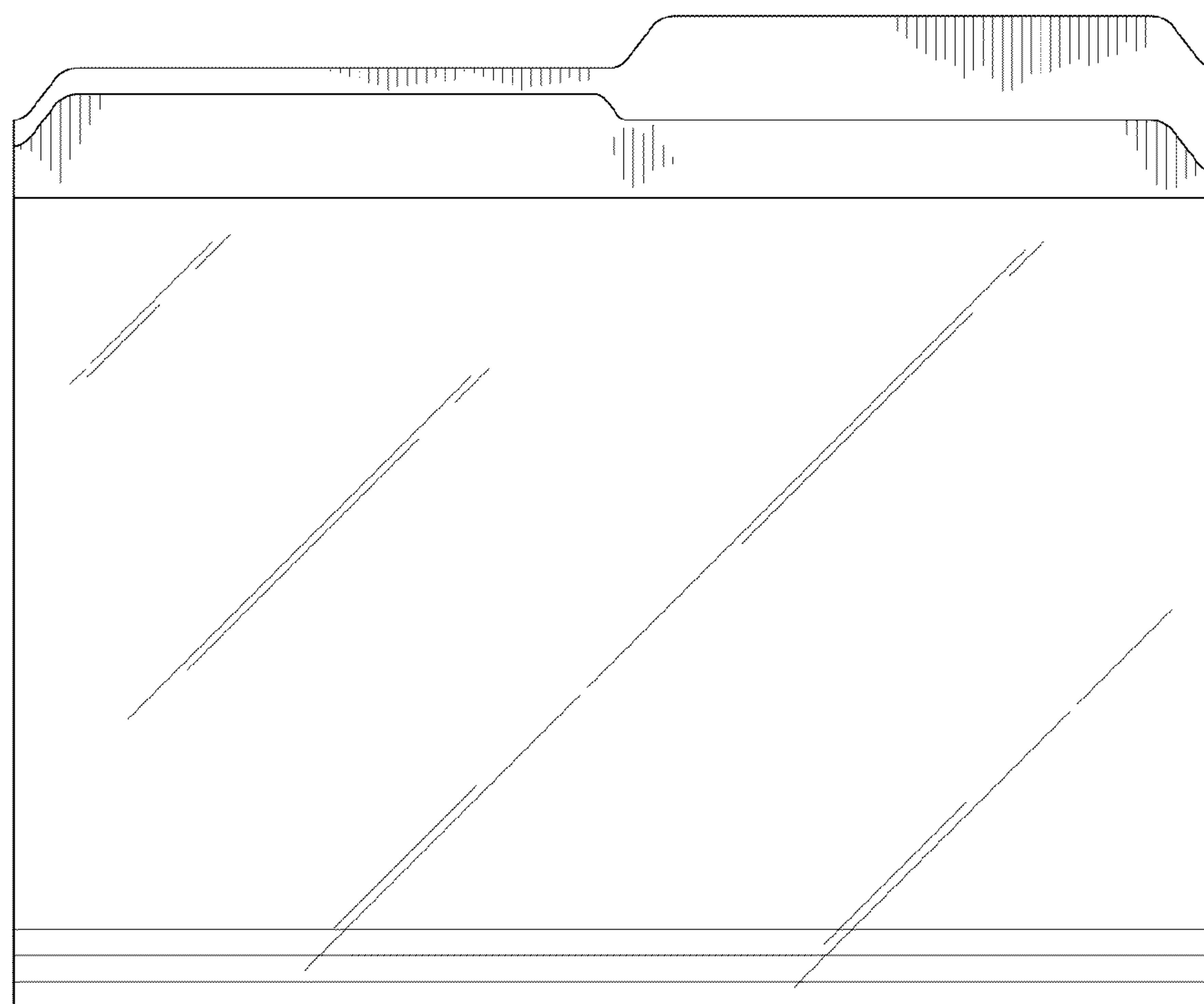


FIG. 10

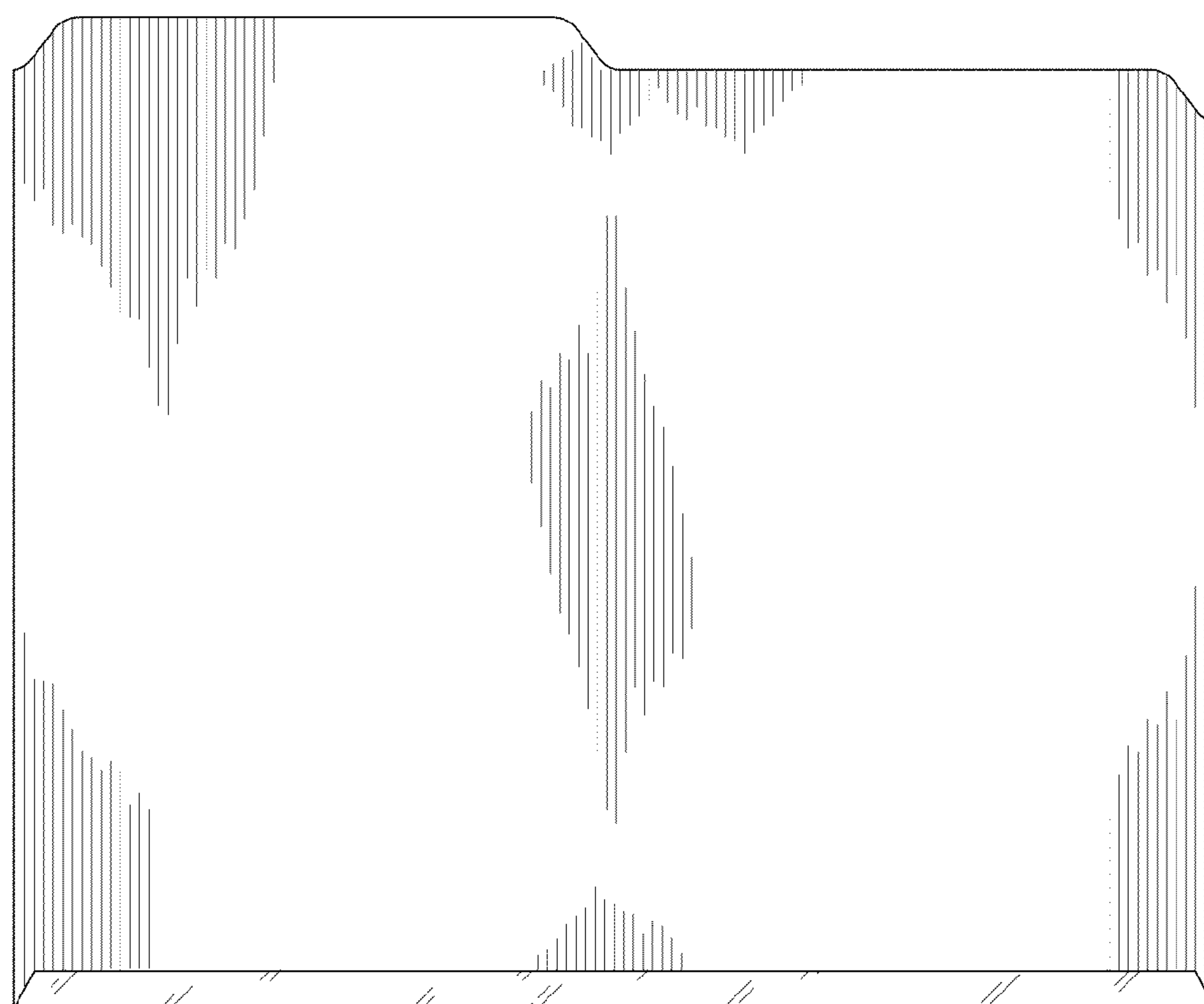


FIG. 11

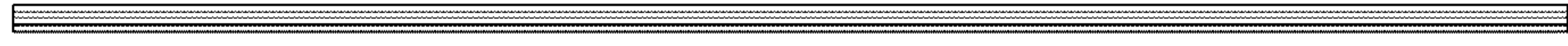


FIG. 12

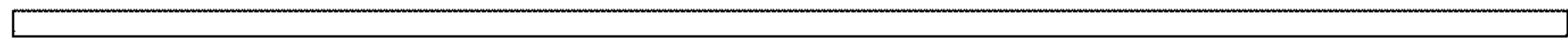


FIG. 13

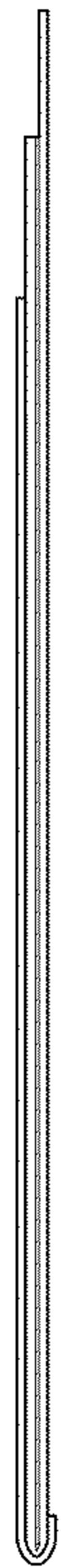


FIG. 14



FIG. 15

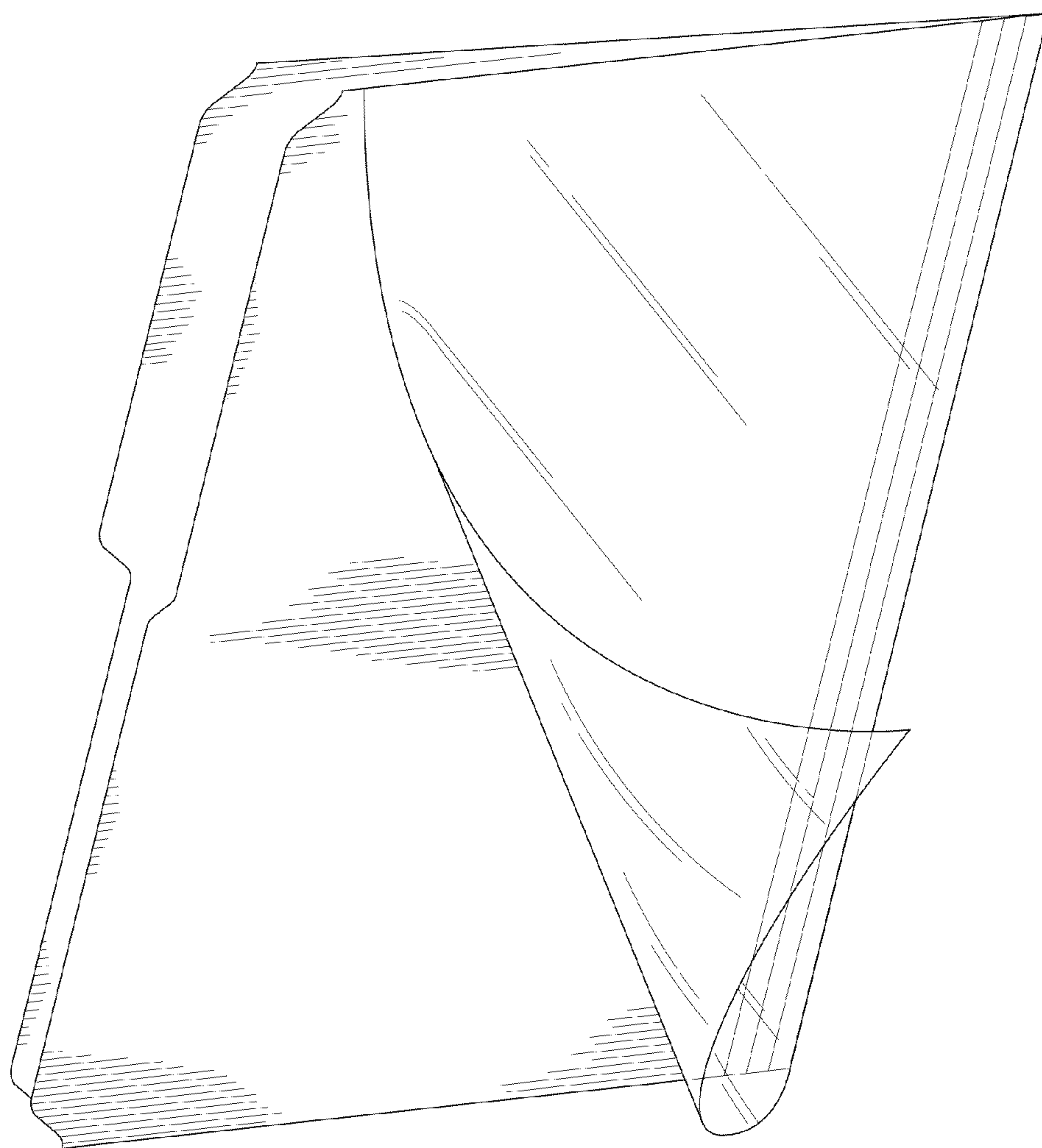


FIG. 16