



US00D705858S

(12) **United States Design Patent**
Zhou et al.

(10) **Patent No.:** **US D705,858 S**

(45) **Date of Patent:** **** May 27, 2014**

(54) **SHREDDER**

(75) Inventors: **Licheng Zhou**, Changzhou (CN); **Yu Jin**, Changzhou (CN); **Fei Feng**, Shi Ling town (CN)

(73) Assignee: **New United Office Equipment**, Changzhou (CN)

(**) Term: **14 Years**

(21) Appl. No.: **29/417,819**

(22) Filed: **Apr. 9, 2012**

(51) **LOC (10) Cl.** **18-04**

(52) **U.S. Cl.**
USPC **D18/34.5**

(58) **Field of Classification Search**
USPC D18/34.3, 34.4, 34.5, 34.6, 34.9;
D23/356, 359, 360, 364; D34/9;
241/100, 236, 30, 36
See application file for complete search history.

(56) **References Cited**

U.S. PATENT DOCUMENTS

- D449,850 S * 10/2001 Ho D18/34.6
- D502,960 S * 3/2005 Lo D18/34.5
- D502,961 S * 3/2005 Lo D18/34.6
- D532,444 S * 11/2006 Kao et al. D18/34.4
- D544,905 S * 6/2007 Abramson et al. D18/34.9
- D557,735 S * 12/2007 Ho D18/34.6
- 7,594,620 B2 * 9/2009 Abramson et al. 241/36

- D616,925 S * 6/2010 Kim et al. D18/34.5
- D660,907 S * 5/2012 Wing et al. D18/34.5
- 2002/0017579 A1 * 2/2002 Wen 241/236
- 2006/0219827 A1 * 10/2006 Matlin et al. 241/30

FOREIGN PATENT DOCUMENTS

EM 002011163-0008 * 3/2012

* cited by examiner

Primary Examiner — Bridget L Eland

(74) *Attorney, Agent, or Firm* — Lowe Graham Jones PLLC

(57) **CLAIM**

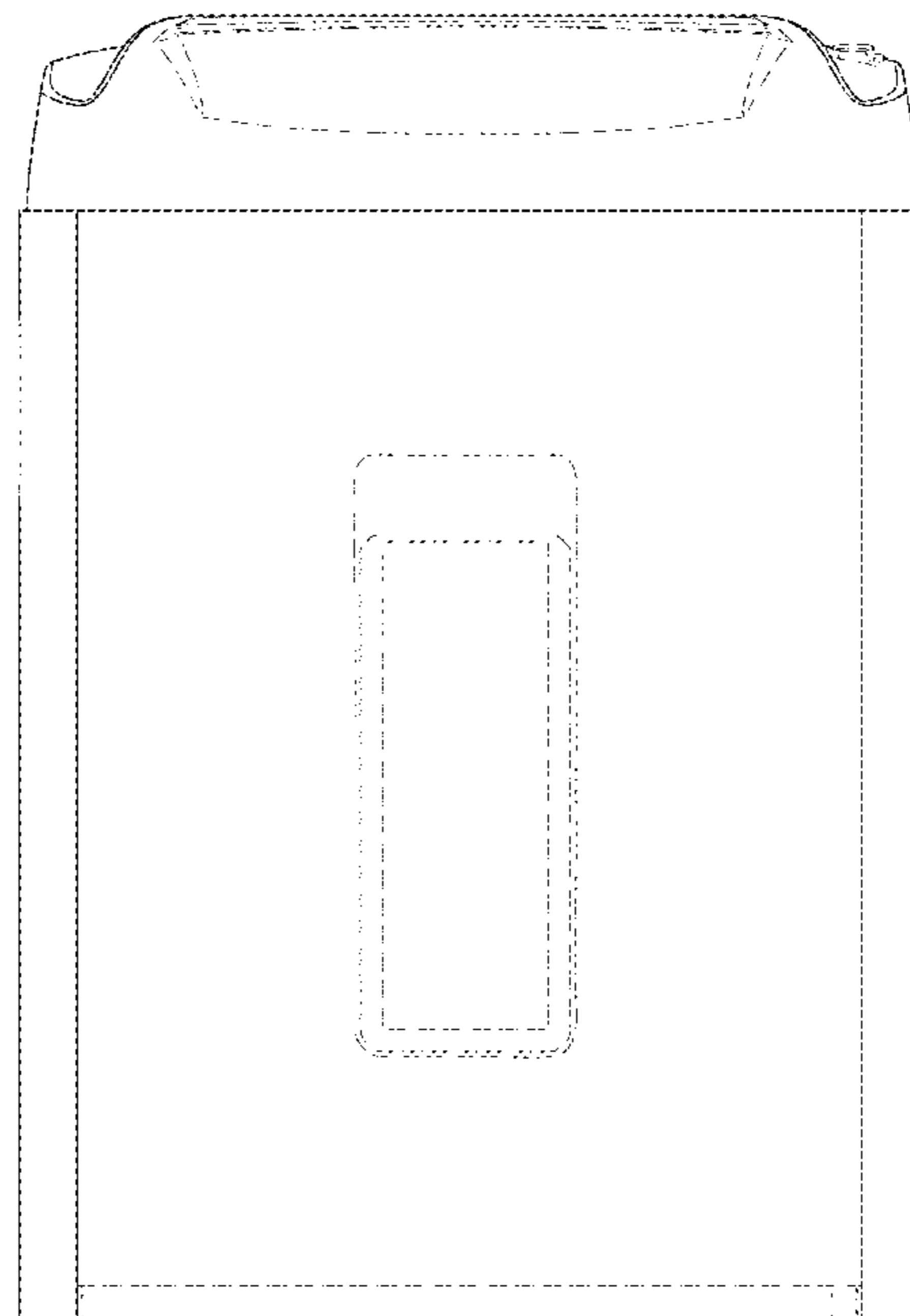
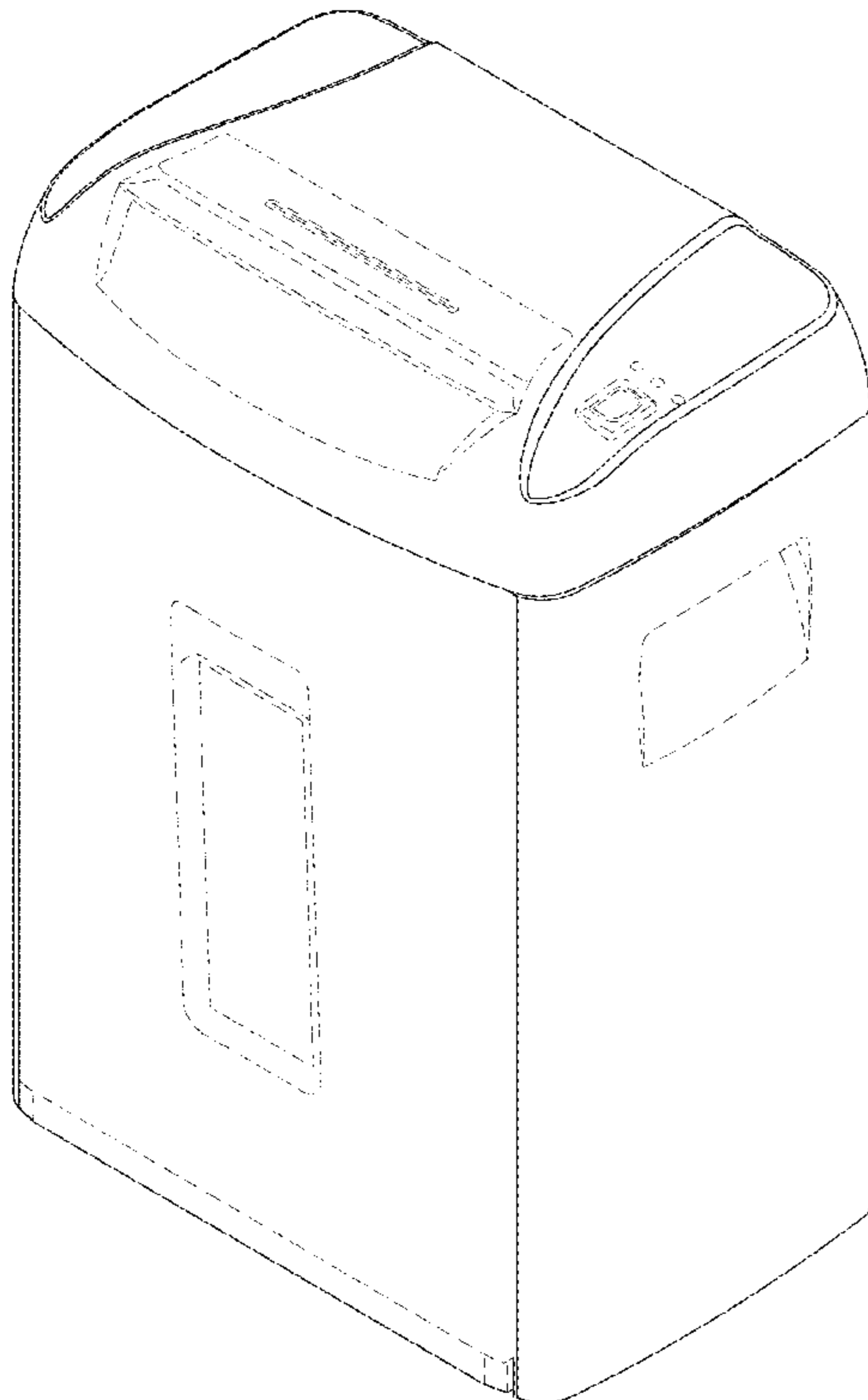
We claim the ornamental design for a shredder, as shown and described.

DESCRIPTION

FIG. 1 is a front isometric view of the shredder, showing our new design;
FIG. 2 is a front-elevational view of the shredder;
FIG. 3 is a rear-elevational view of the shredder;
FIG. 4 is a right side-elevational view of the shredder;
FIG. 5 is a left side-elevational view of the shredder;
FIG. 6 is a top view of the shredder; and,
FIG. 7 is a bottom view of the shredder.

The broken lines immediately adjacent the claimed areas represent the bounds of the claimed design while all other broken lines are directed to environment and are for illustrative purposes only; the broken lines form no part of the claimed design.

1 Claim, 7 Drawing Sheets



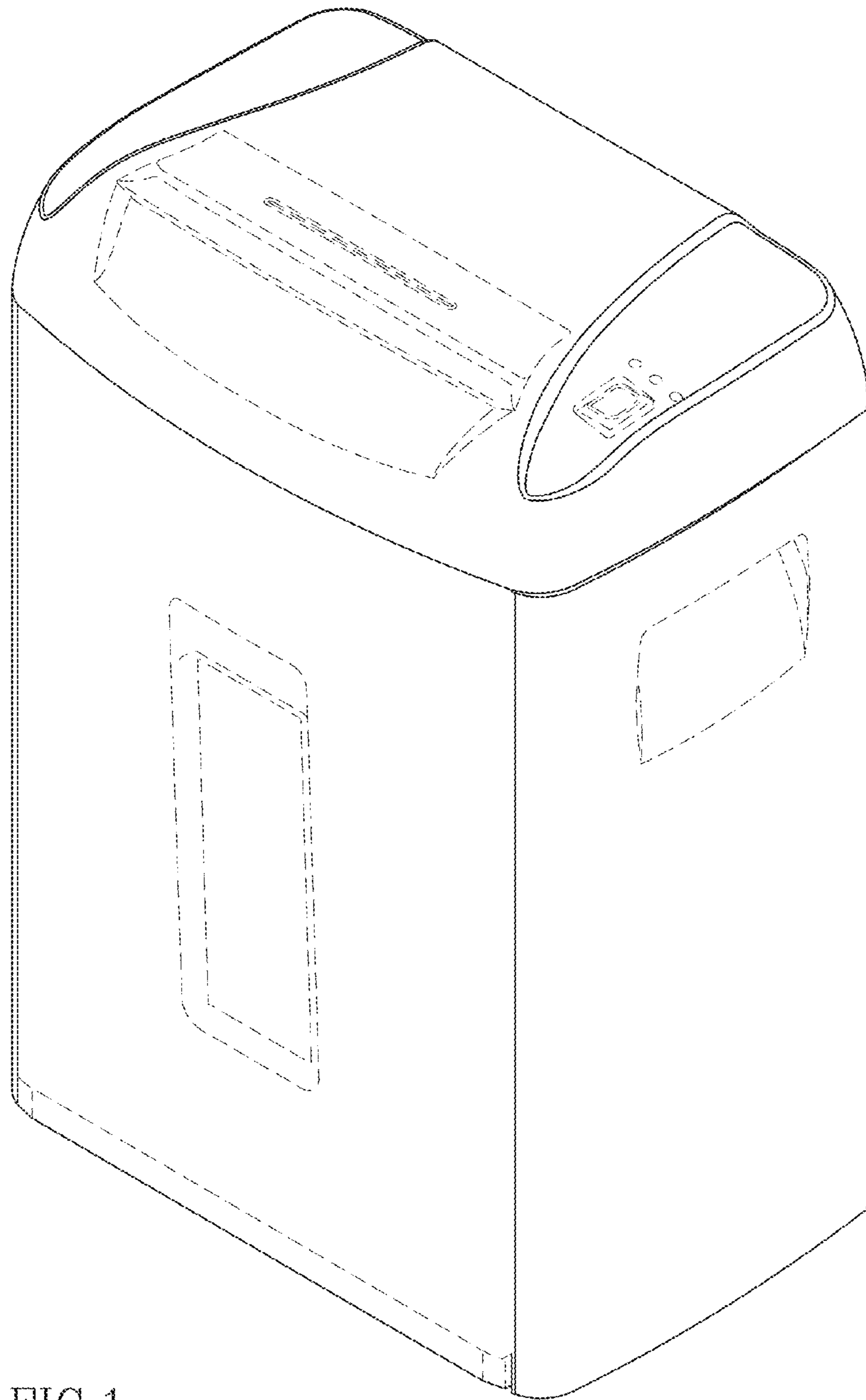


FIG.1

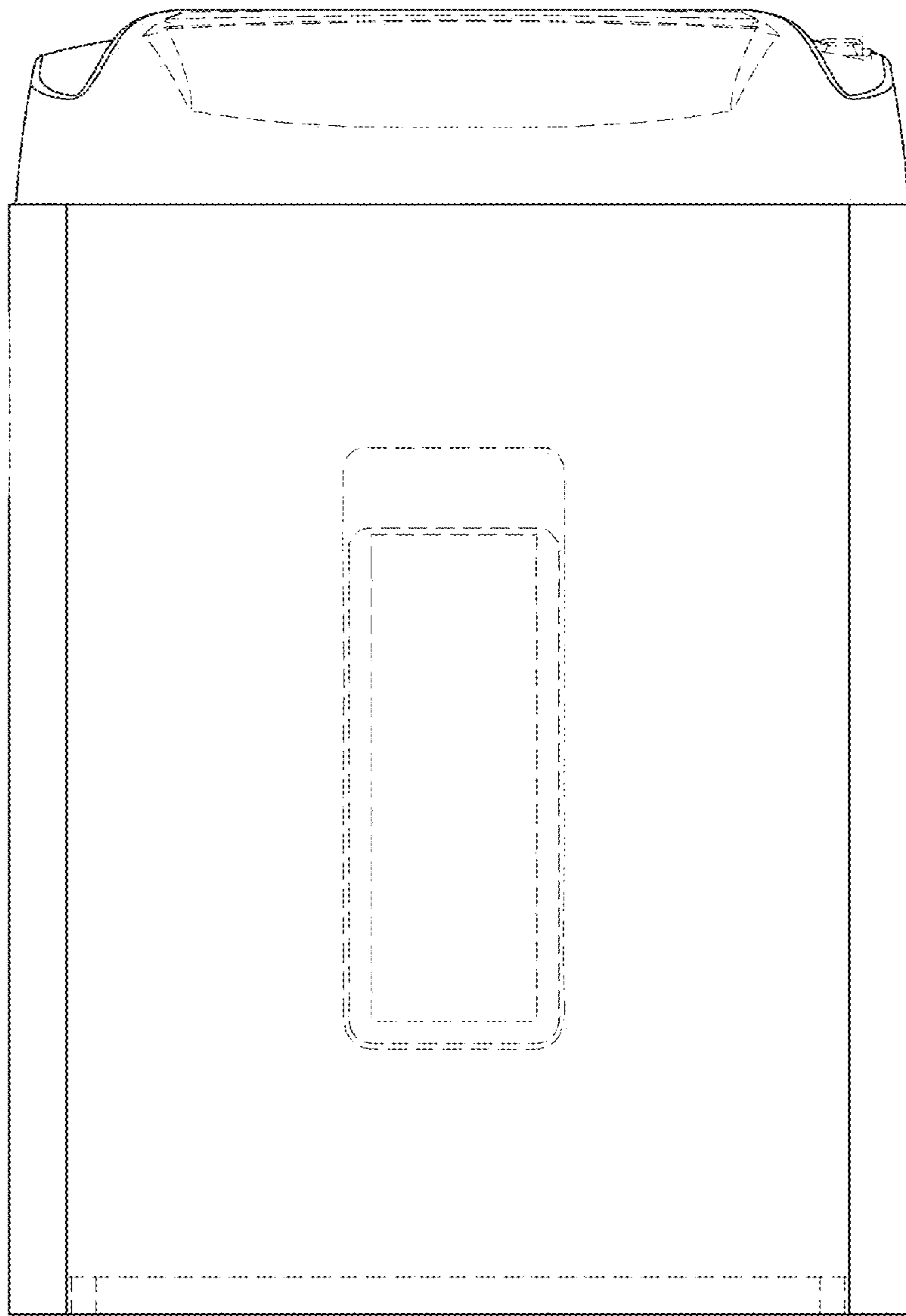


FIG. 2

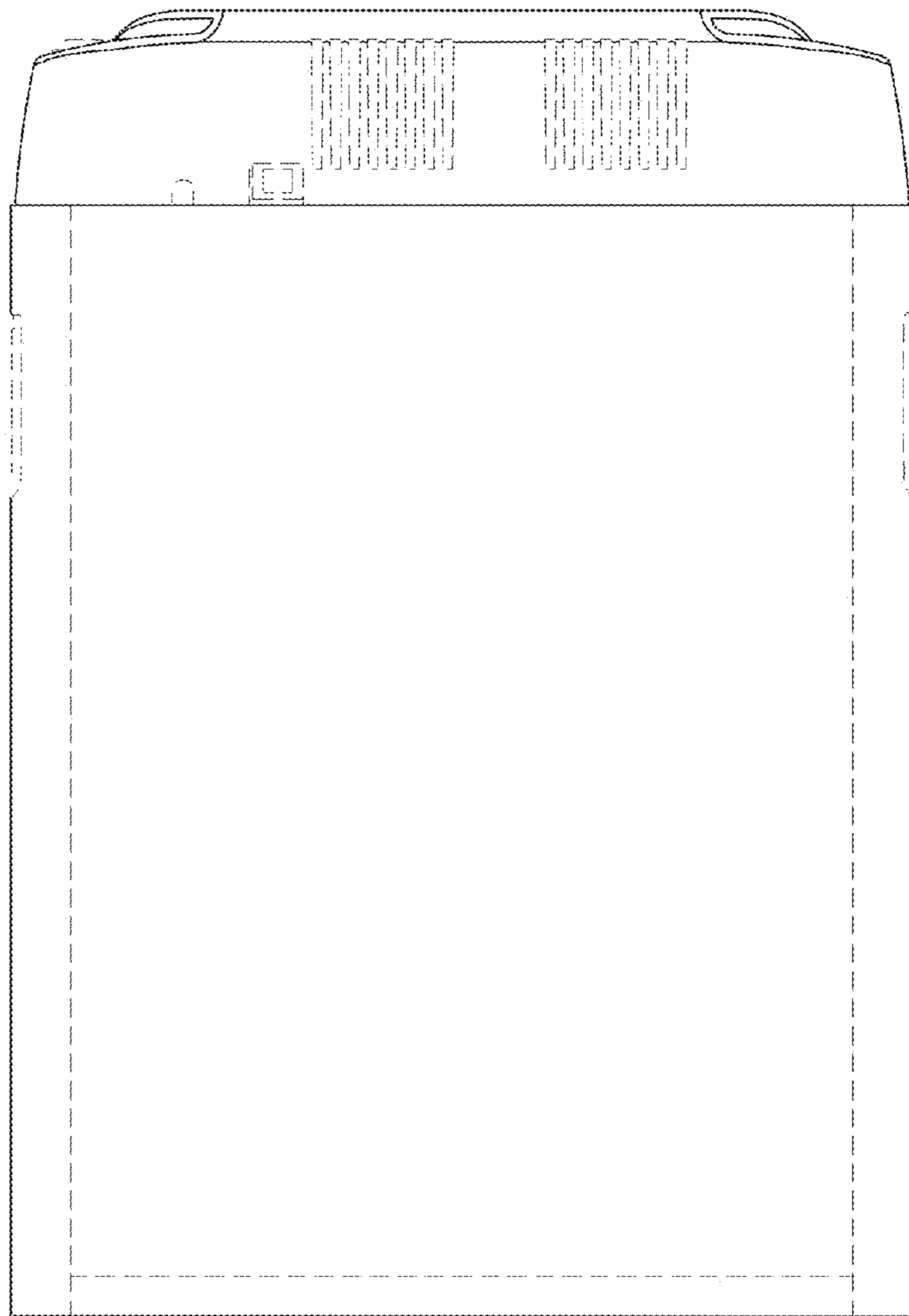


FIG. 3

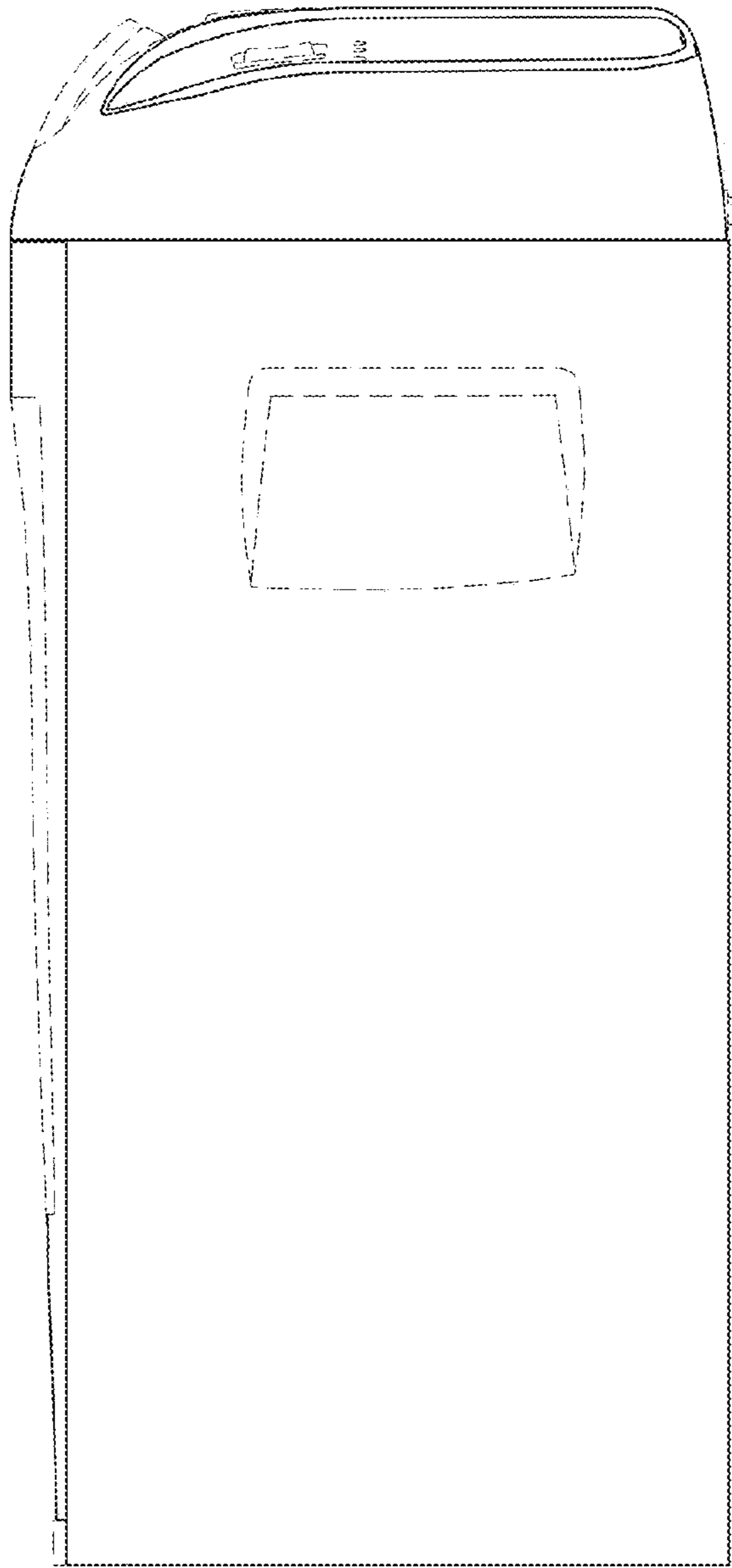


FIG. 4

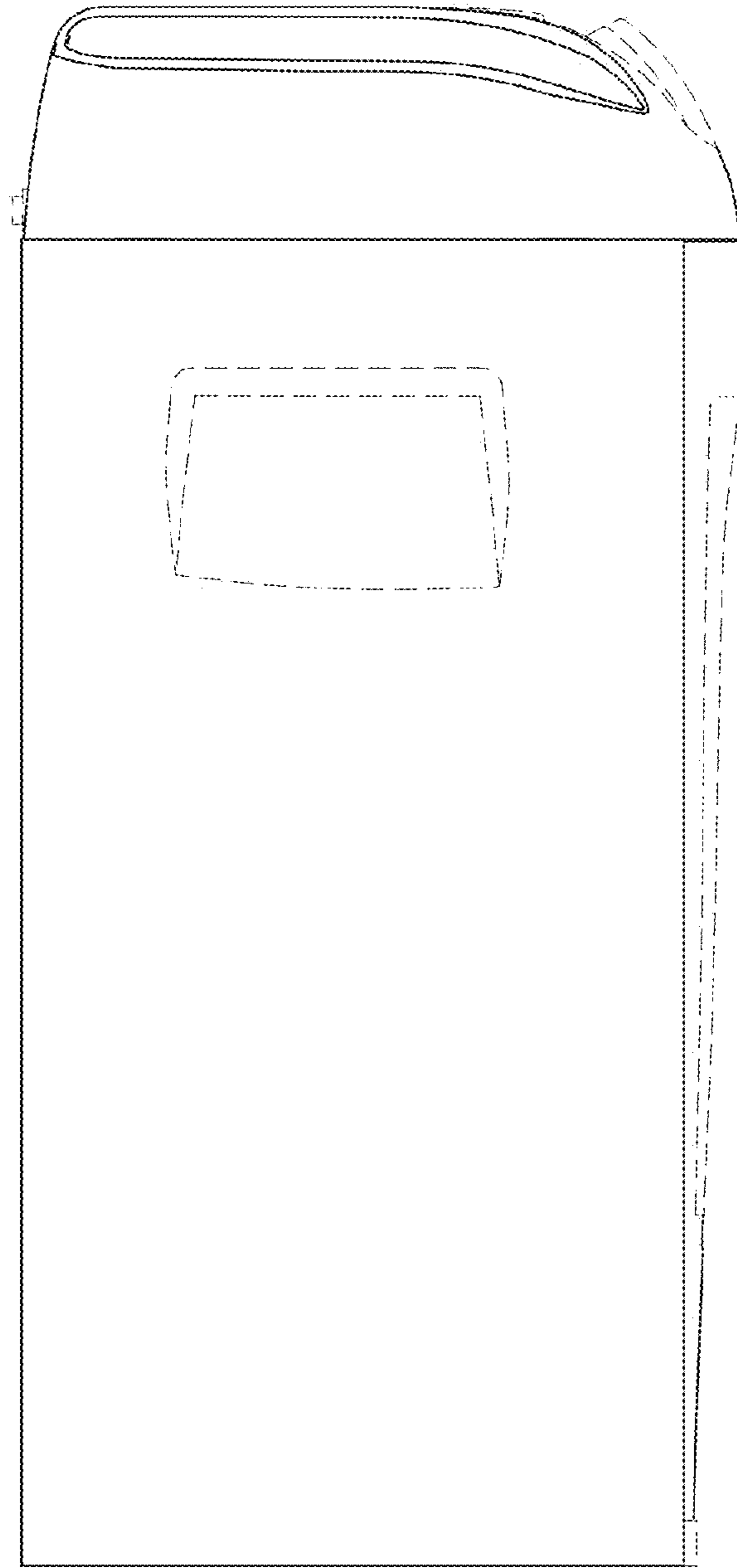


FIG.5

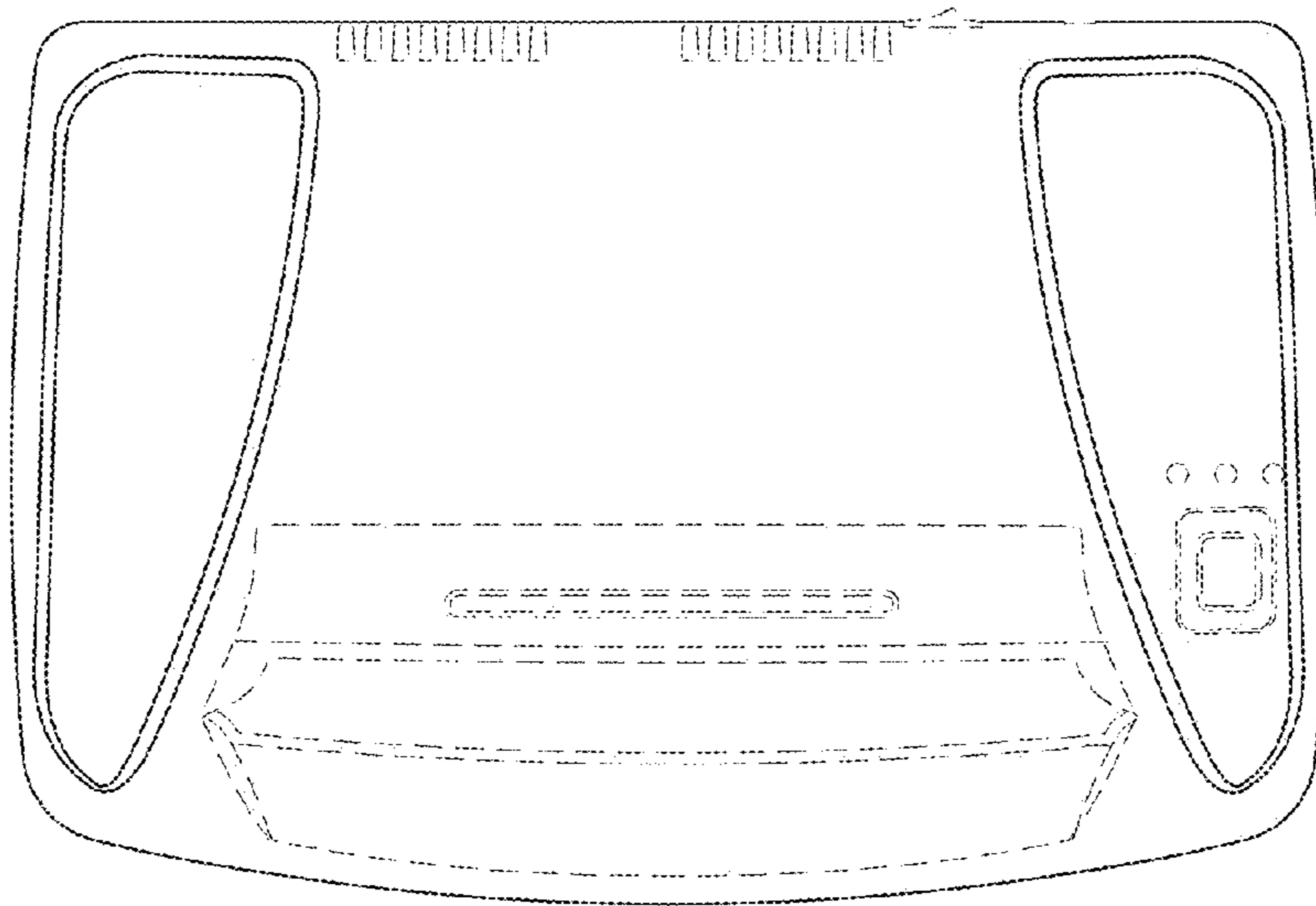


FIG. 6

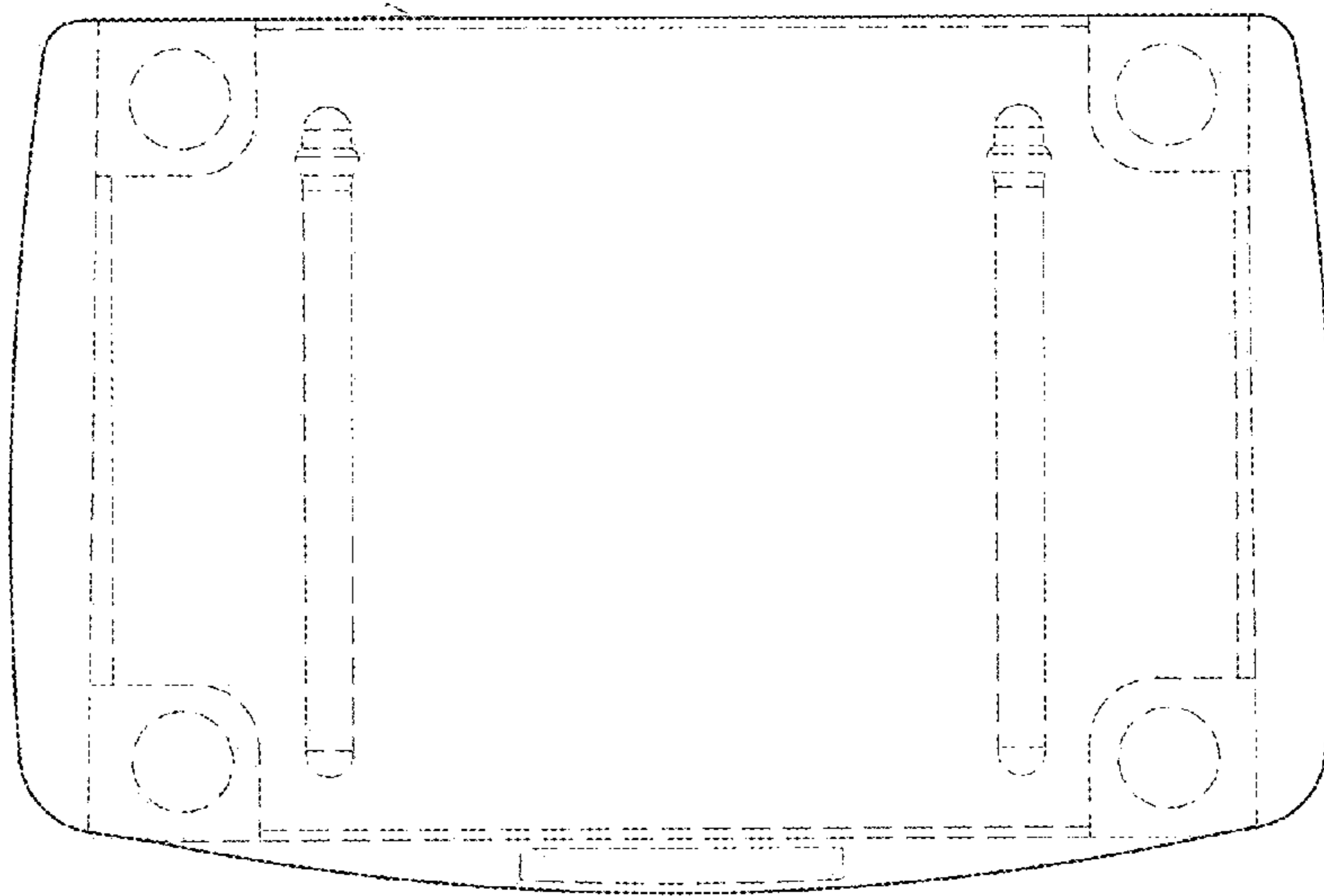


FIG. 7