

US00D705851S

(12) **United States Design Patent**
Tanaka et al.

(10) **Patent No.:** **US D705,851 S**

(45) **Date of Patent:** **** May 27, 2014**

(54) **TAPE PRINTING MACHINE**

(71) Applicants: **Hiromitsu Tanaka**, Nagoya (JP);
Nobuyuki Iwai, Chita-gun (JP)

(72) Inventors: **Hiromitsu Tanaka**, Nagoya (JP);
Nobuyuki Iwai, Chita-gun (JP)

(73) Assignee: **Brother Industries, Ltd.**, Nagoya (JP)

(**) Term: **14 Years**

(21) Appl. No.: **29/440,298**

(22) Filed: **Dec. 20, 2012**

(51) **LOC (10) Cl.** **18-99**

(52) **U.S. Cl.**
USPC **D18/19**

(58) **Field of Classification Search**
USPC D18/6-7, 14, 19, 52; D14/347, 426;
D19/68; 101/288; 156/384; 400/56,
400/61-63, 88, 611, 613
See application file for complete search history.

(56) **References Cited**

U.S. PATENT DOCUMENTS

D389,859 S * 1/1998 Thuma et al. D18/14
D403,667 S * 1/1999 Musha D18/7

D414,172 S * 9/1999 Hetfield et al. D14/426
D499,758 S * 12/2004 Fries D18/14
D566,753 S * 4/2008 Suzuki et al. D18/19
D601,620 S * 10/2009 Mase et al. D18/19
D680,578 S * 4/2013 Tanaka et al. D18/19

* cited by examiner

Primary Examiner — Cathy A MacCormac

(74) *Attorney, Agent, or Firm* — Oliff PLC

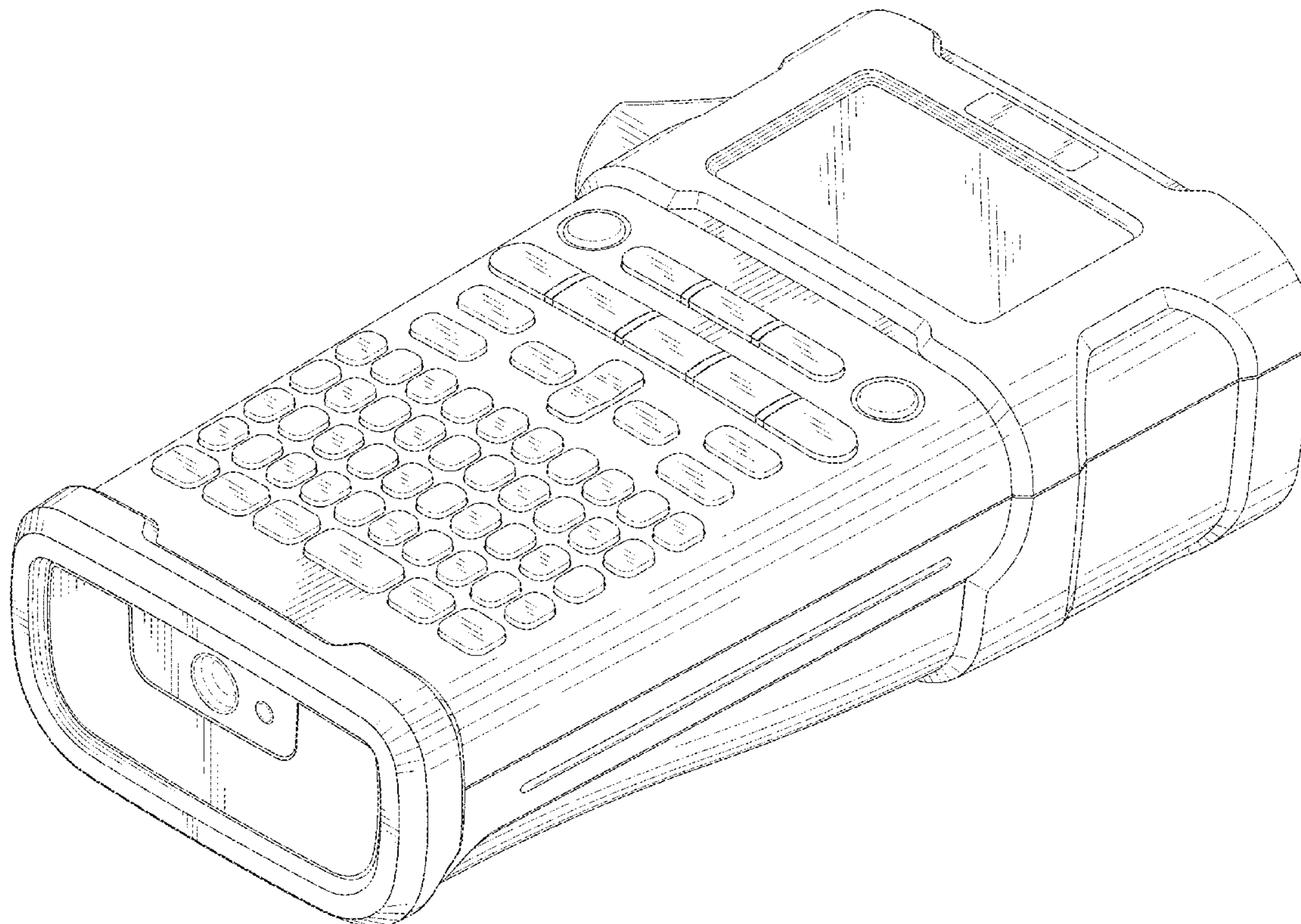
(57) **CLAIM**

The ornamental design for a tape printing machine, as shown and described.

DESCRIPTION

FIG. 1 is a front, right-side, bottom perspective view of a tape printing machine;
FIG. 2 is a front view thereof;
FIG. 3 is a top view thereof;
FIG. 4 is a right-side view thereof;
FIG. 5 is a left-side view thereof;
FIG. 6 is a rear view thereof; and
FIG. 7 is a bottom view thereof.
The broken lines depict unclaimed portions only and form no part of the claimed design.

1 Claim, 7 Drawing Sheets



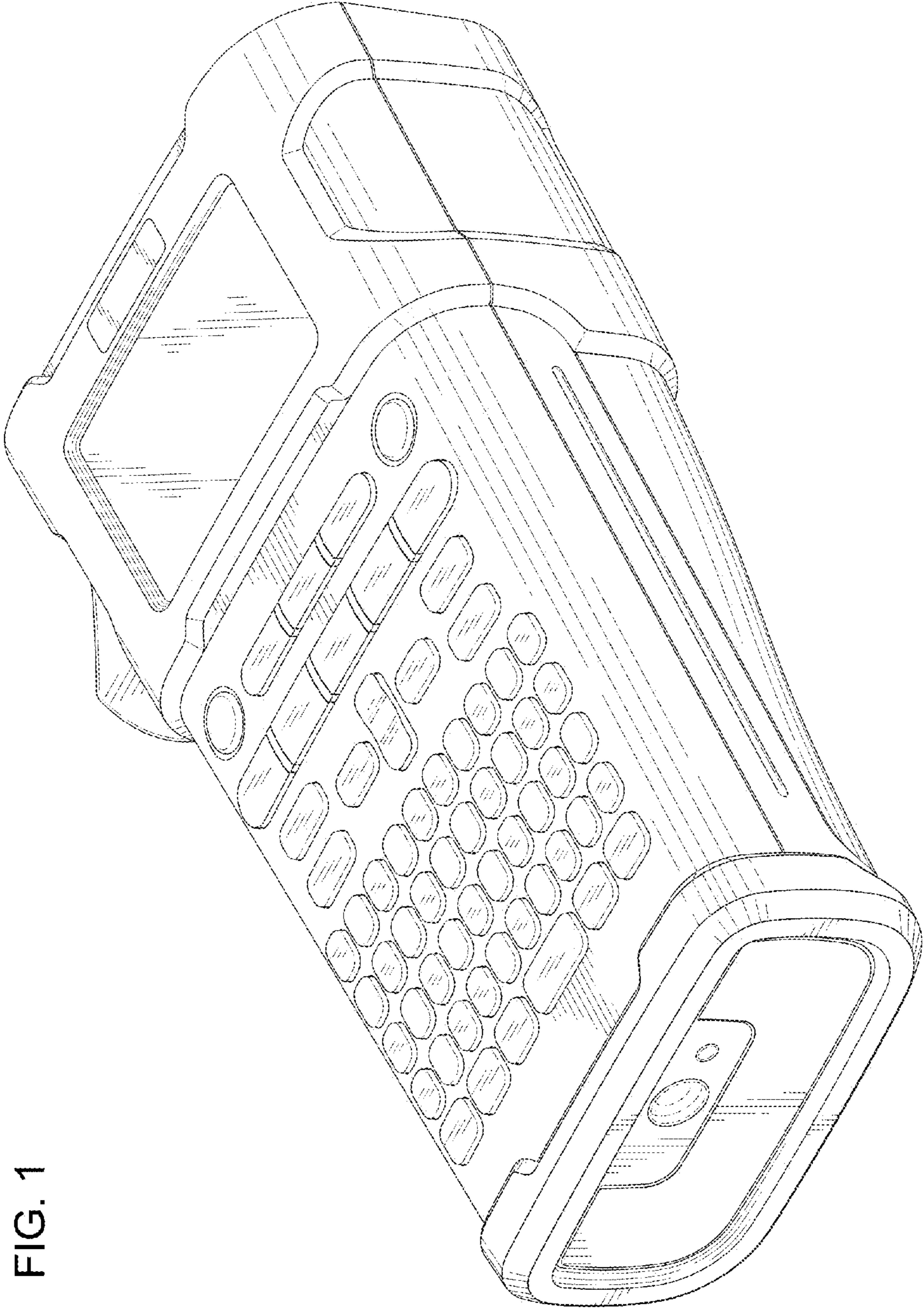
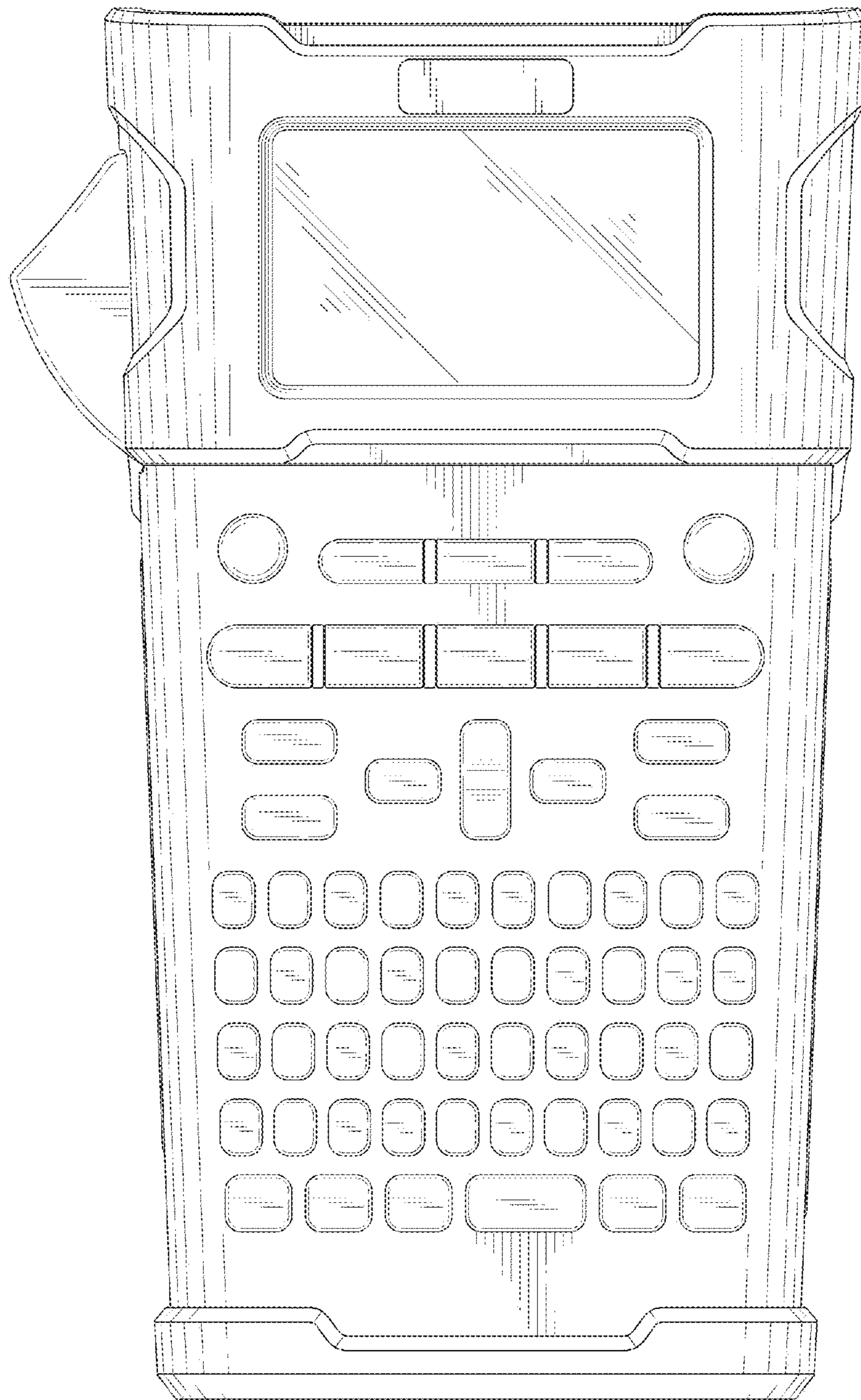


FIG. 1

FIG. 2



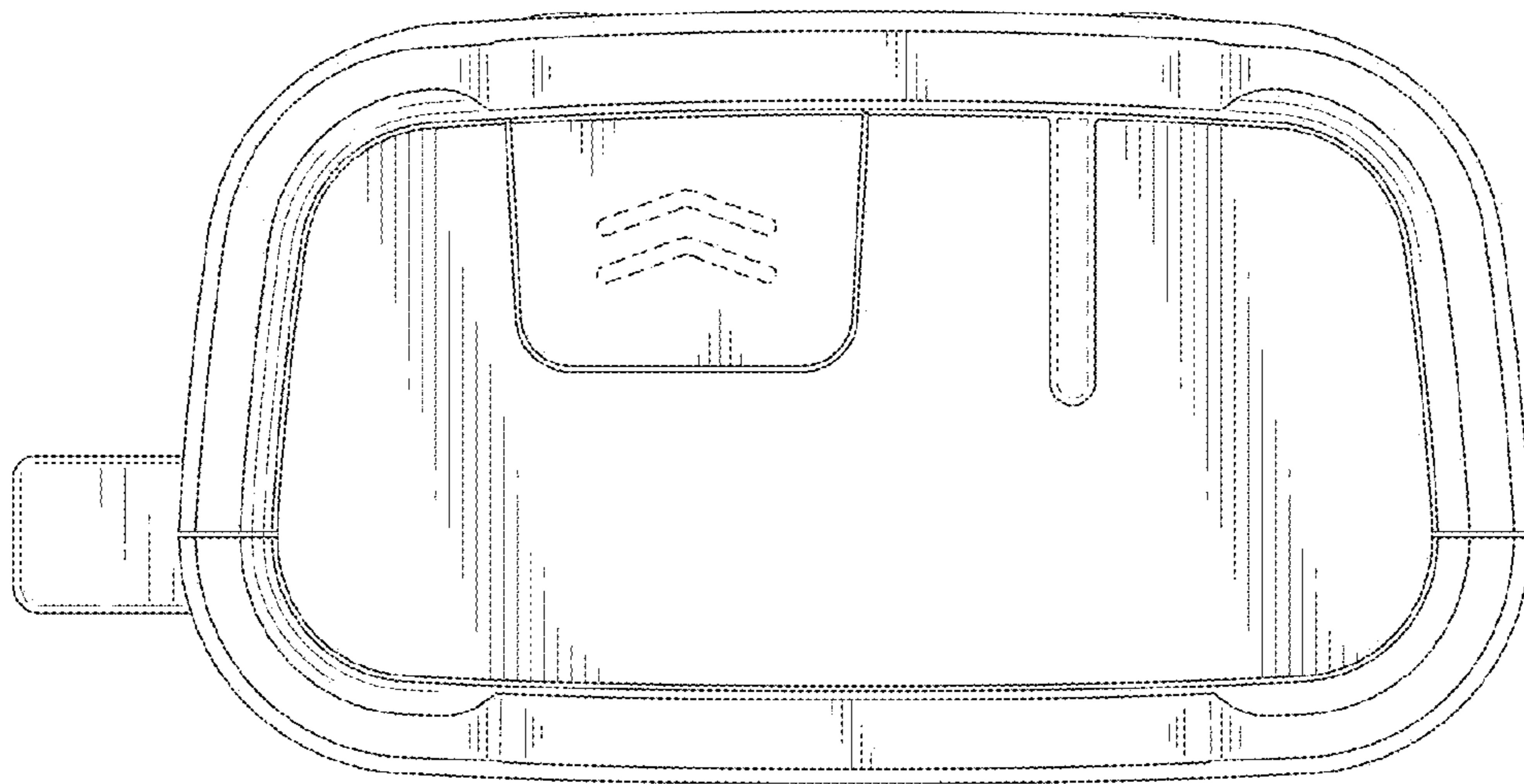


FIG. 3

FIG. 4

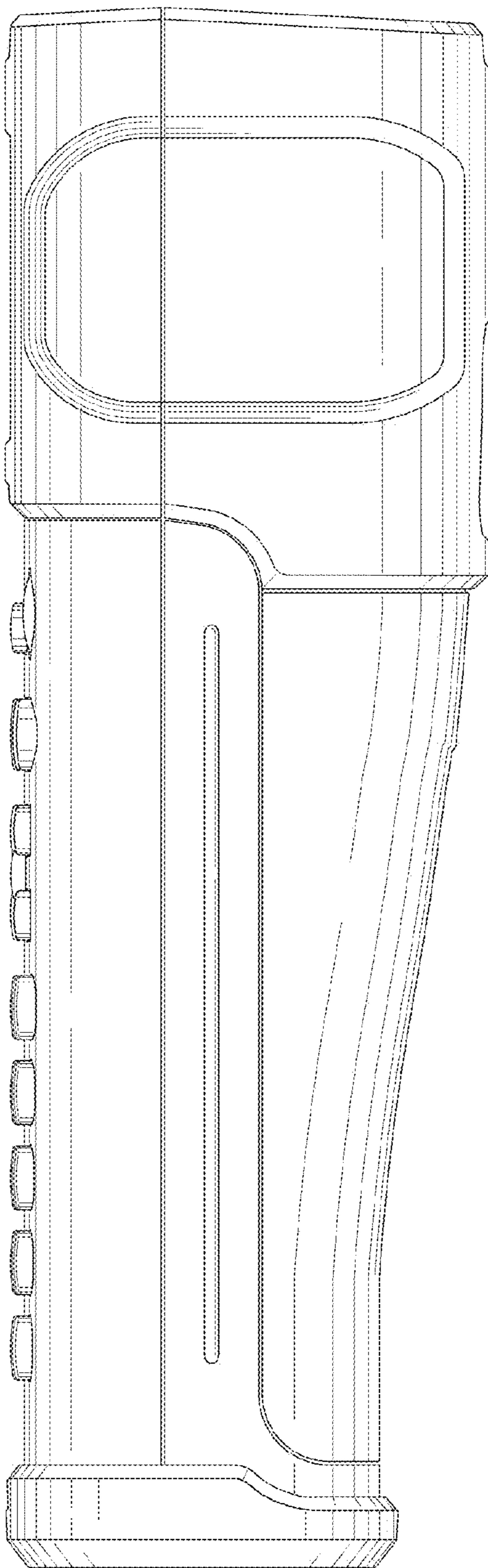


FIG. 5

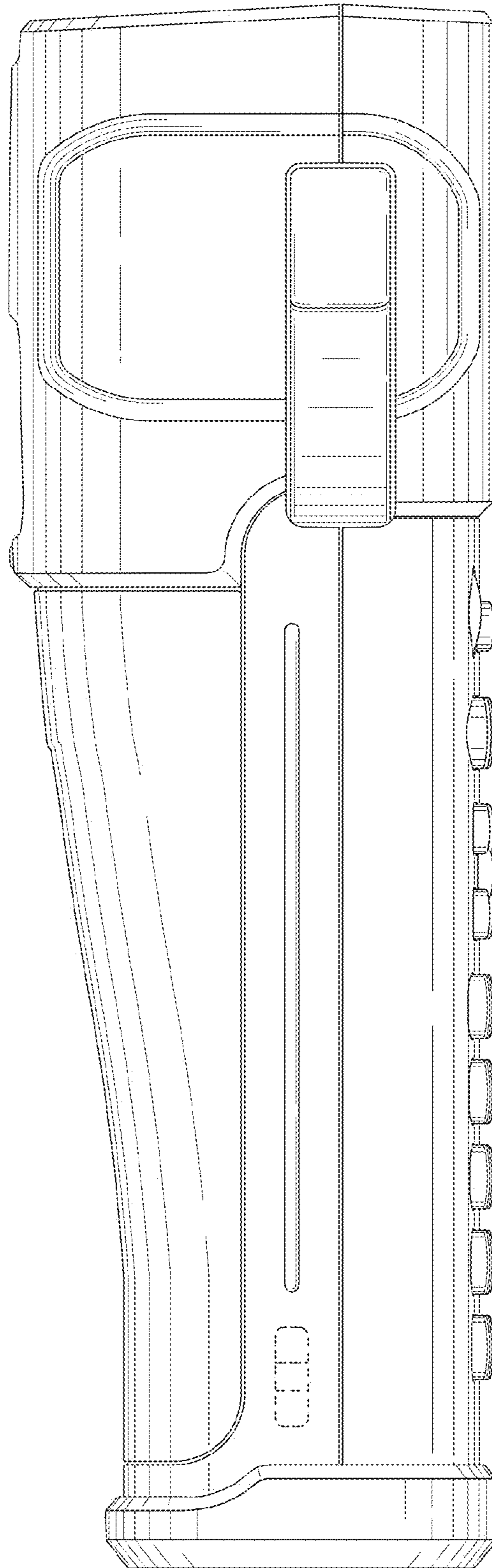
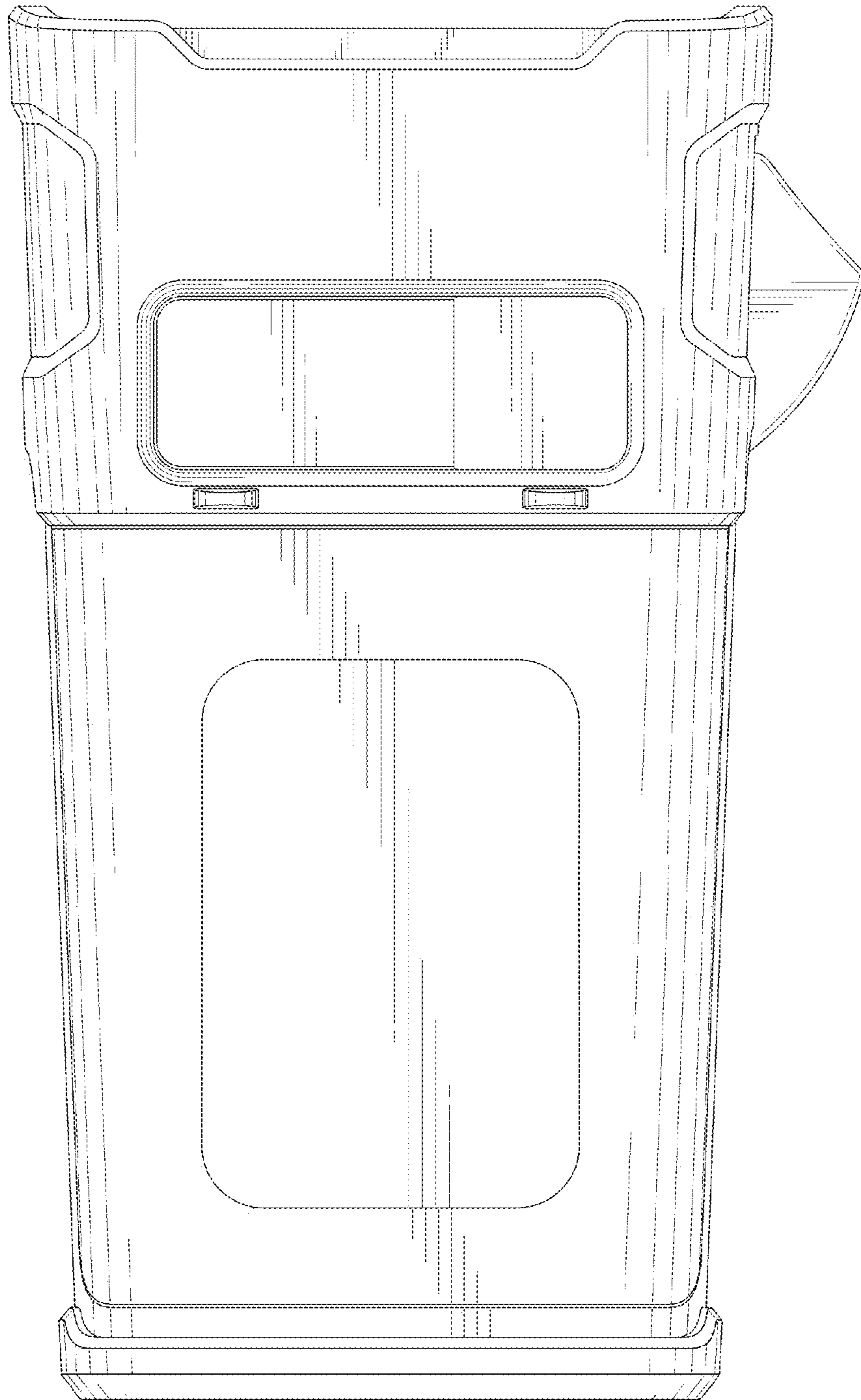


FIG.6



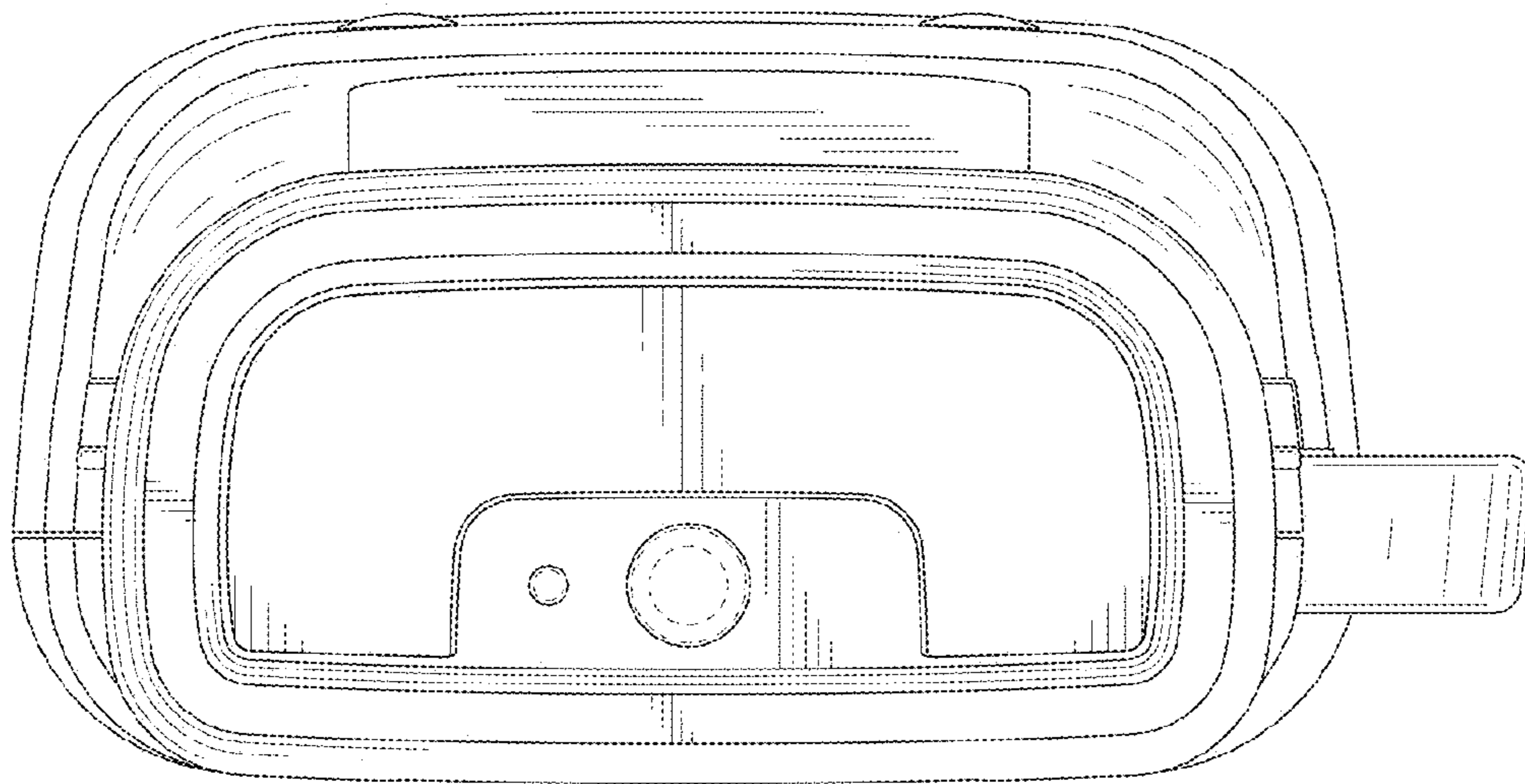


FIG. 7