

US00D705850S

(12) **United States Design Patent**
Iwai et al.

(10) **Patent No.:** **US D705,850 S**

(45) **Date of Patent:** **** May 27, 2014**

- (54) **TAPE PRINTING MACHINE**
- (71) Applicants: **Nobuyuki Iwai**, Chita-gun (JP);
Hiromitsu Tanaka, Nagoya (JP)
- (72) Inventors: **Nobuyuki Iwai**, Chita-gun (JP);
Hiromitsu Tanaka, Nagoya (JP)
- (73) Assignee: **Brother Industries, Ltd.**, Nagoya (JP)
- (**) Term: **14 Years**
- (21) Appl. No.: **29/440,284**
- (22) Filed: **Dec. 20, 2012**
- (51) **LOC (10) Cl.** **18-99**
- (52) **U.S. Cl.**
USPC **D18/19**
- (58) **Field of Classification Search**
USPC D18/6-7, 14, 19, 52; D14/347, 426;
D19/68; 101/288; 156/384; 400/56,
400/61-63, 88, 611, 613
See application file for complete search history.

- D496,683 S * 9/2004 Matsumoto et al. D18/19
- D499,758 S * 12/2004 Fries D18/14
- 7,066,672 B2 * 6/2006 Murata et al. 400/88
- D566,753 S * 4/2008 Suzuki et al. D18/19
- D601,620 S * 10/2009 Mase et al. D18/19
- D619,638 S * 7/2010 McConnell et al. D18/14
- D631,909 S * 2/2011 Blanc et al. D18/19
- D680,578 S * 4/2013 Tanaka et al. D18/19

* cited by examiner

Primary Examiner — Cathy A MacCormac

(74) *Attorney, Agent, or Firm* — Oliff PLC

(57) **CLAIM**

The ornamental design for a tape printing machine, as shown and described.

DESCRIPTION

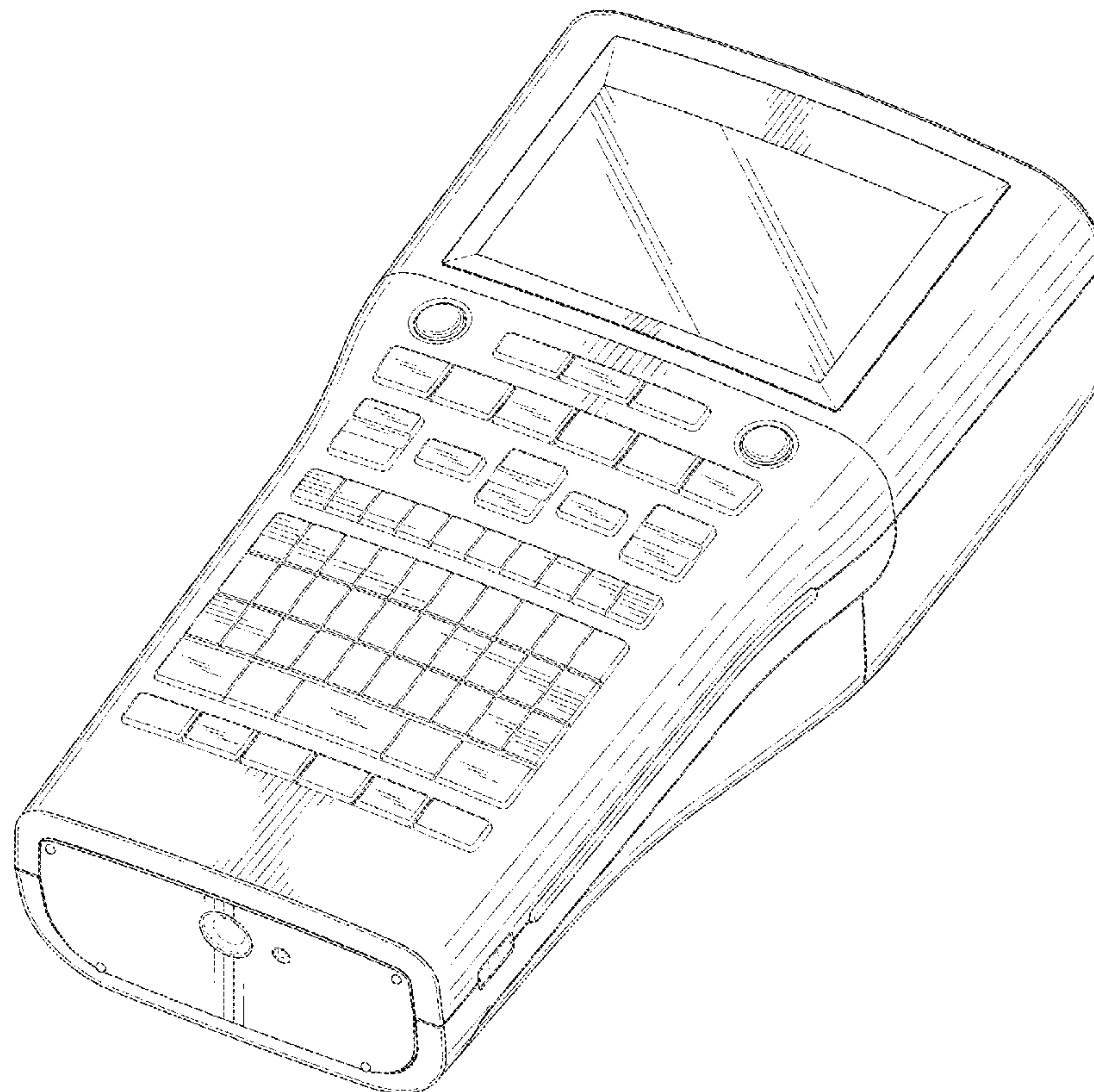
FIG. 1 is a front, right-side, bottom perspective view of a tape printing machine;
 FIG. 2 is a front view thereof;
 FIG. 3 is a top view thereof;
 FIG. 4 is a right-side view thereof;
 FIG. 5 is a left-side view thereof;
 FIG. 6 is a rear view thereof; and,
 FIG. 7 is a bottom view thereof.
 The broken lines depict unclaimed portions only and form no part of the claimed design.

1 Claim, 7 Drawing Sheets

(56) **References Cited**

U.S. PATENT DOCUMENTS

- D403,667 S * 1/1999 Musha D18/7
- D414,172 S * 9/1999 Hetfield et al. D14/426



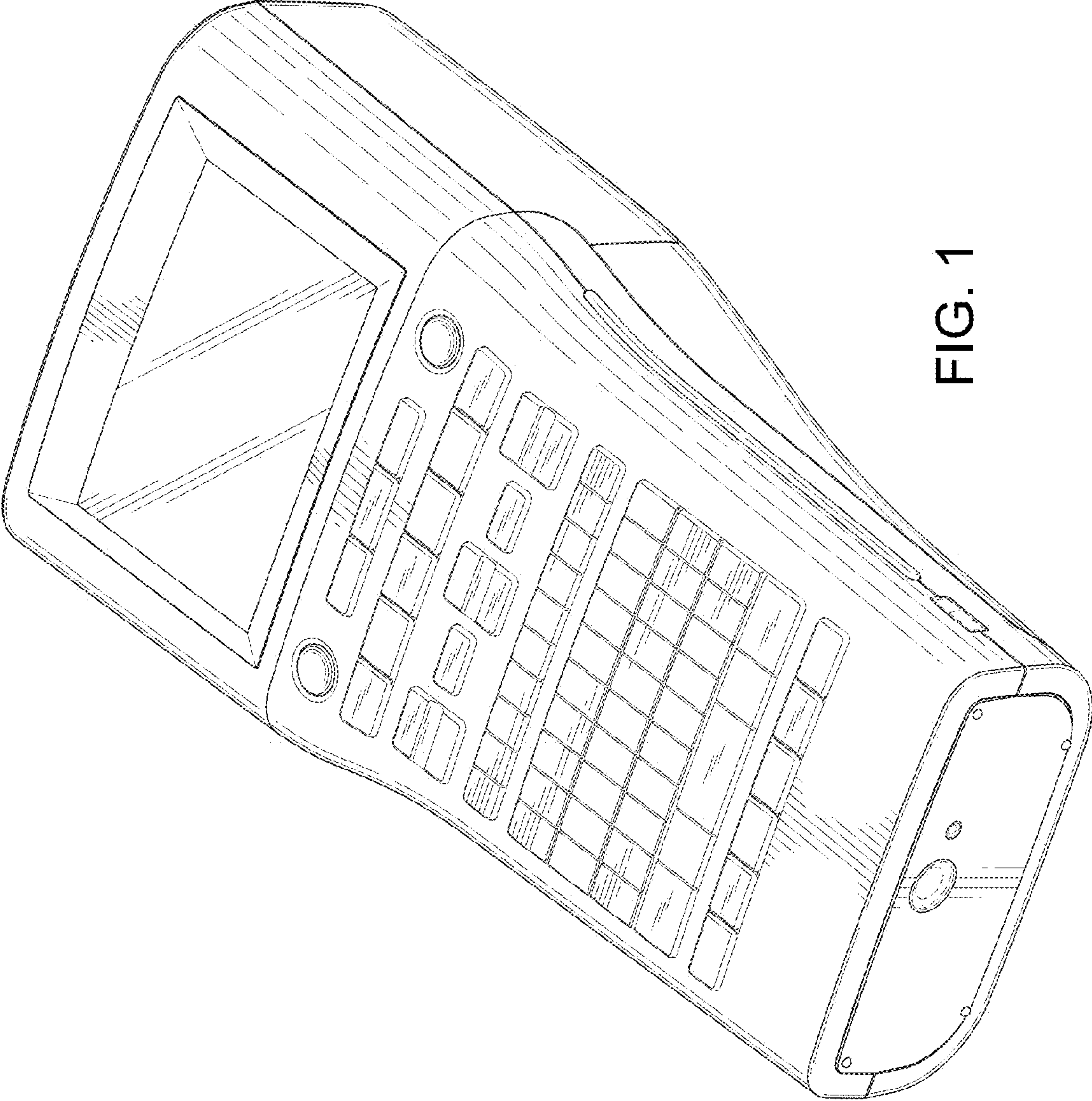


FIG. 1

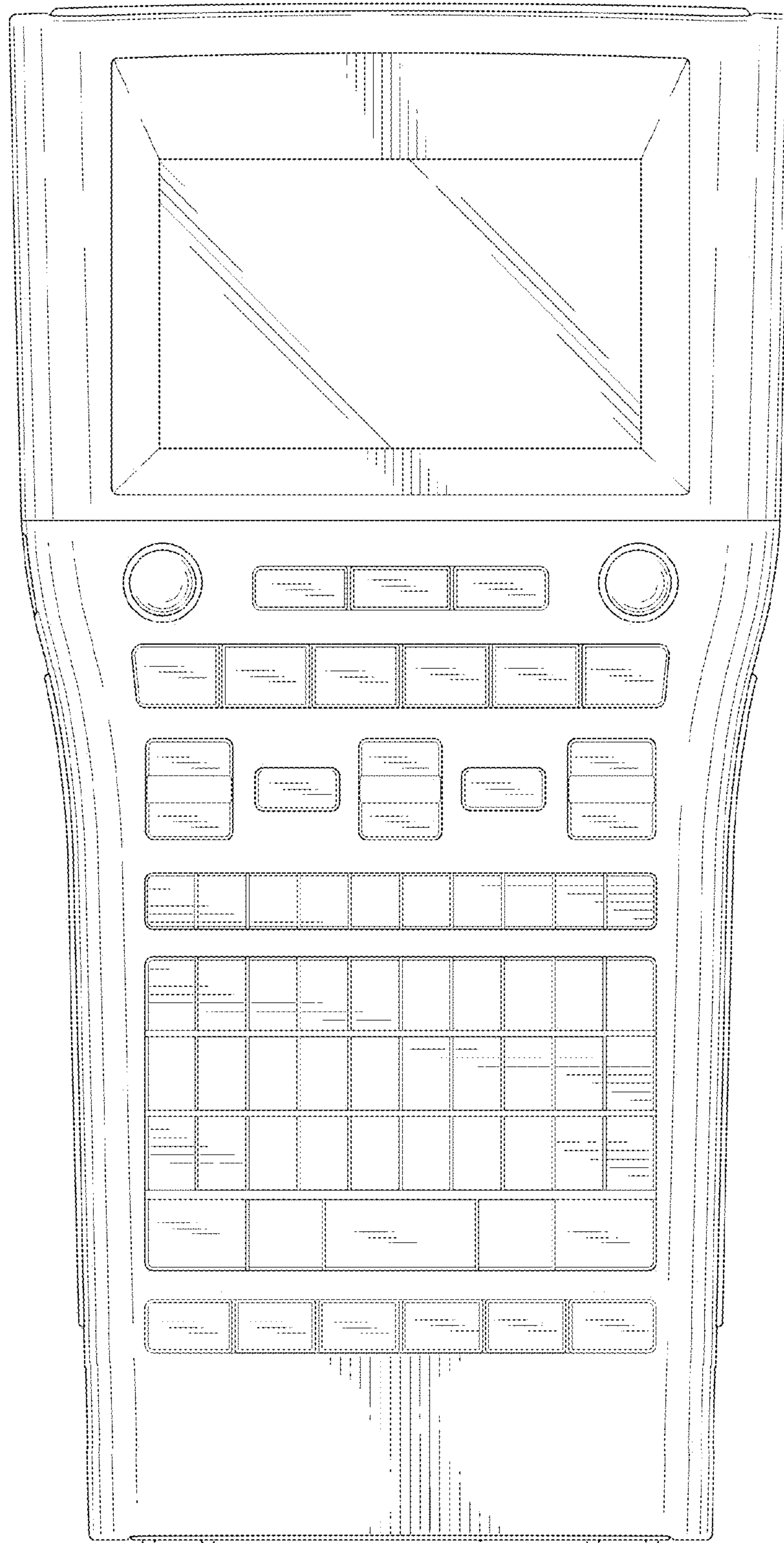


FIG. 2

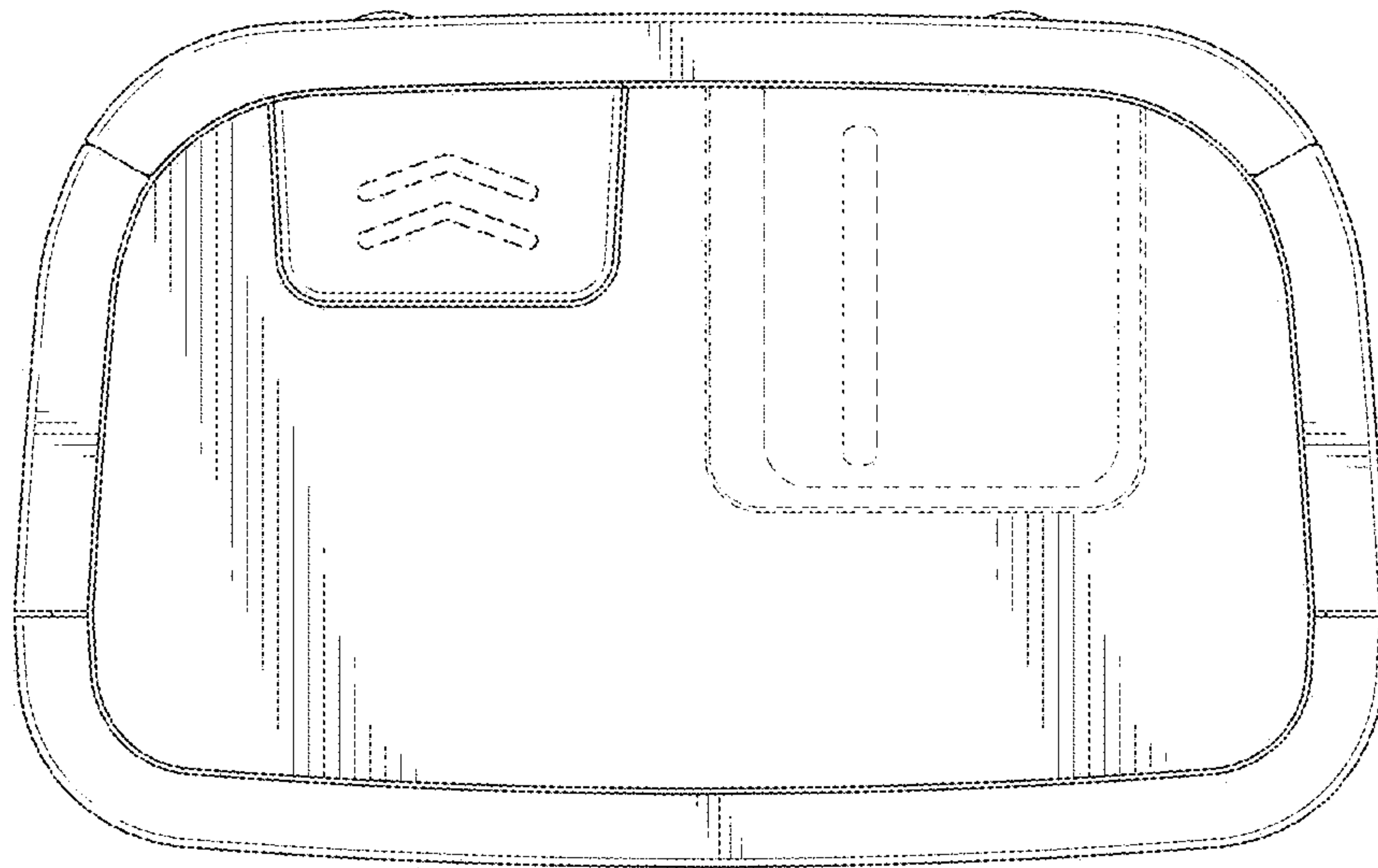


FIG. 3

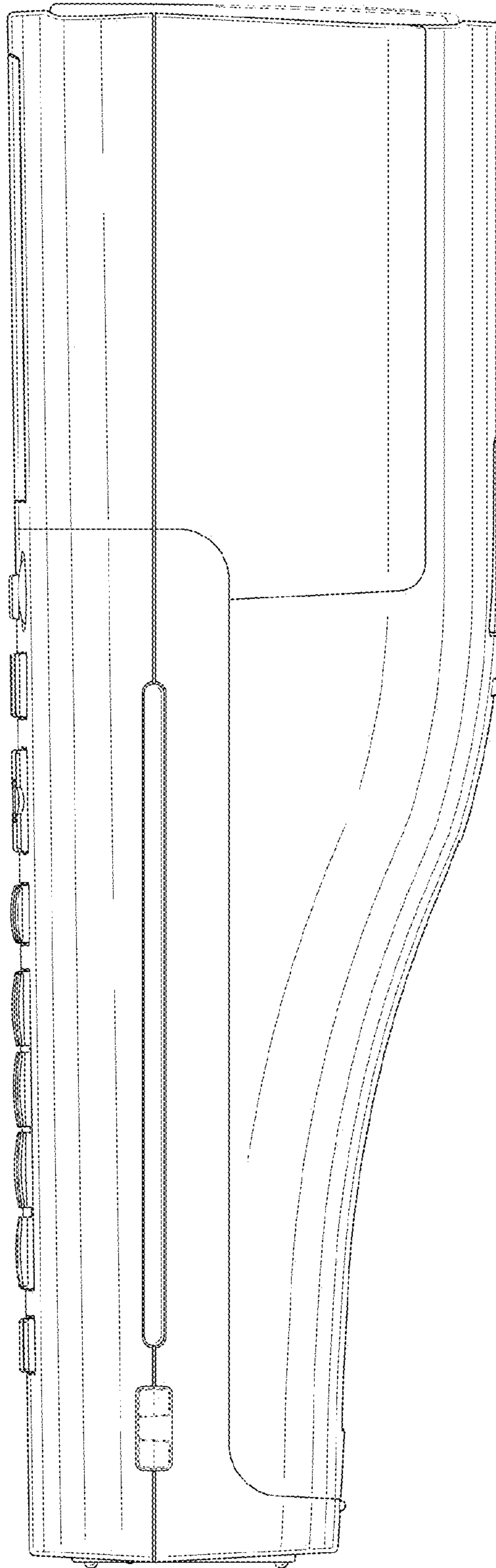


FIG. 4

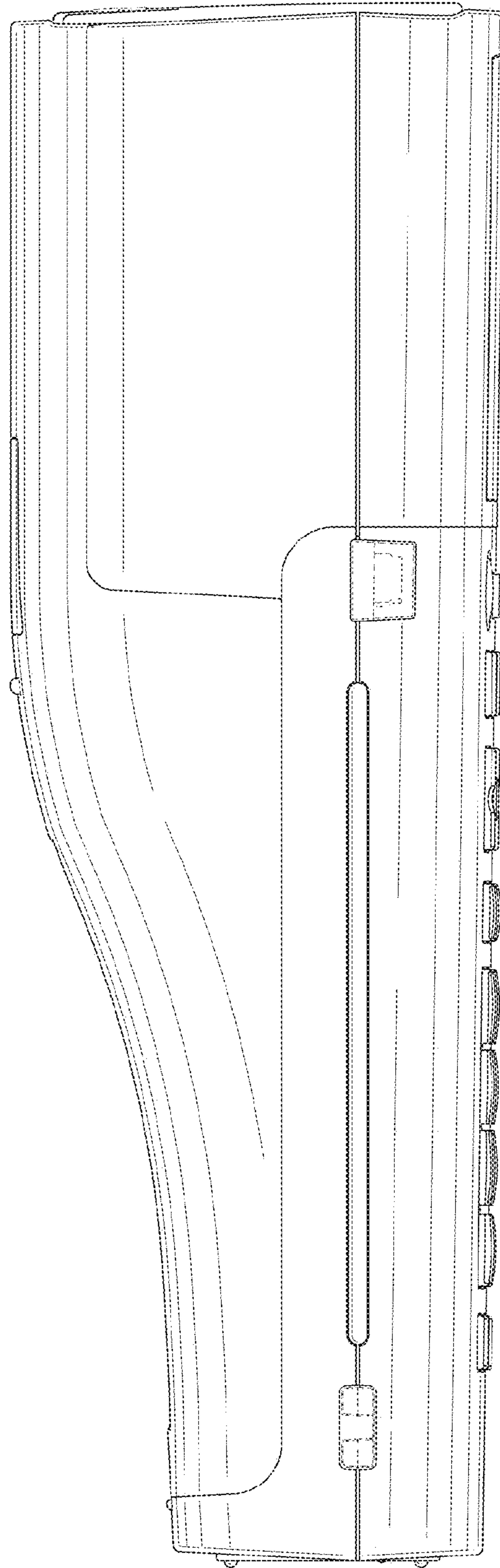


FIG. 5

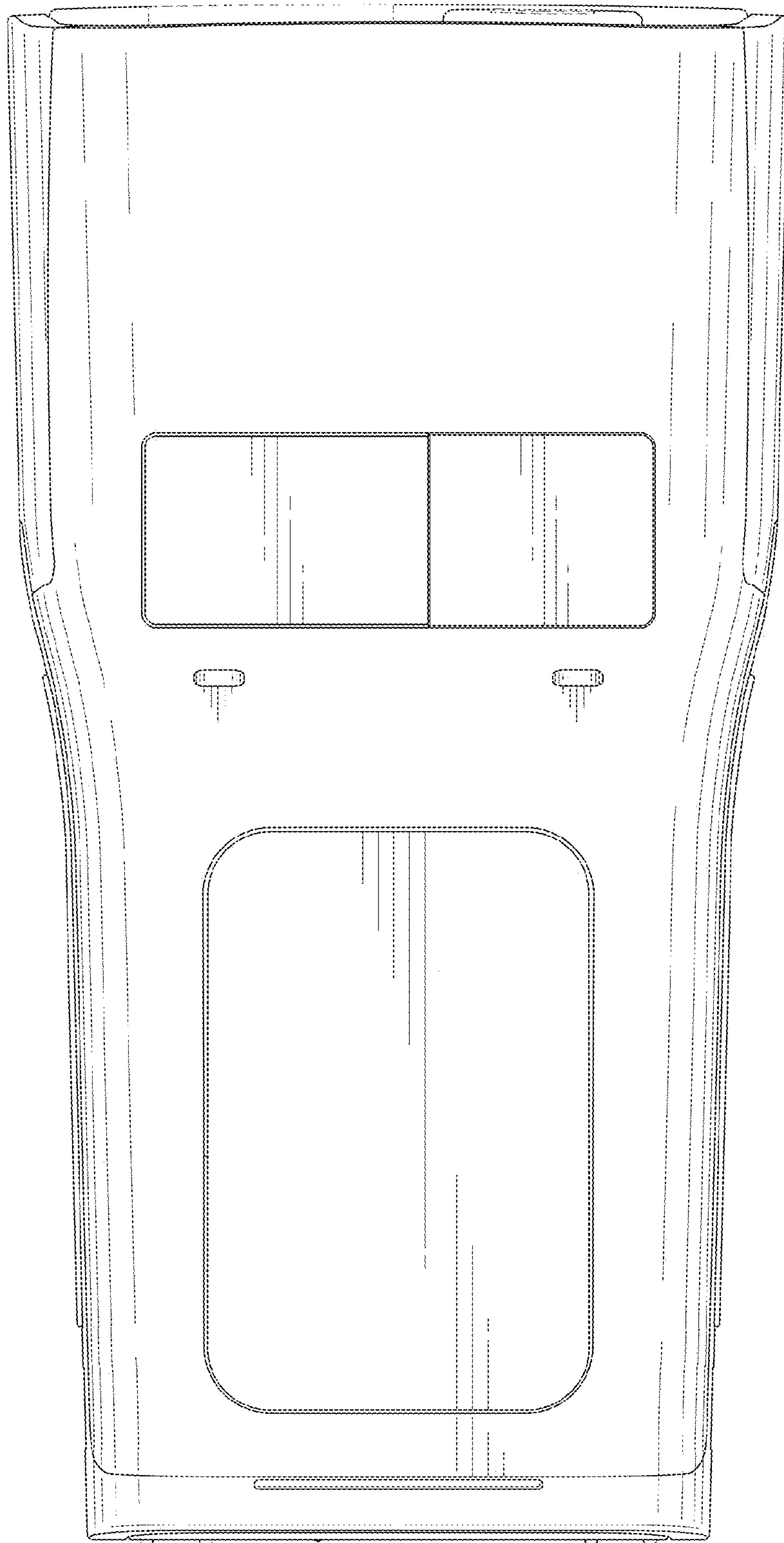


FIG. 6

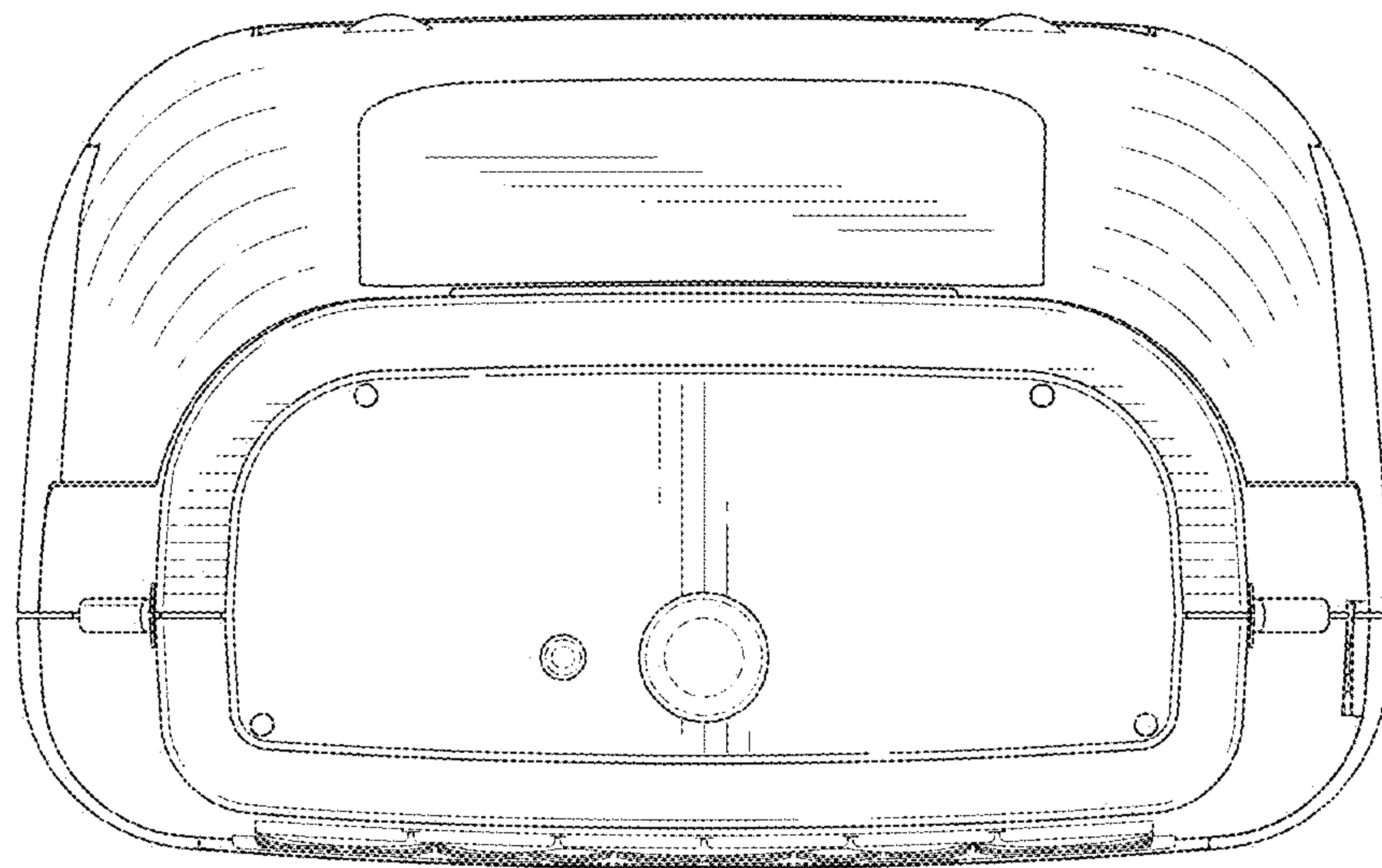


FIG. 7