



US00D705846S

(12) **United States Design Patent**
Johnston

(10) **Patent No.:** **US D705,846 S**

(45) **Date of Patent:** **** May 27, 2014**

(54) **OPEN FRAME PAN TILT POSITIONER**

(75) **Inventor:** **Gregory Edward Johnston**, San Jose,
CA (US)

(73) **Assignee:** **JETprotect Corporation**, Santa Clara,
CA (US)

(**) **Term:** **14 Years**

(21) **Appl. No.:** **29/401,118**

(22) **Filed:** **Sep. 7, 2011**

(51) **LOC (10) Cl.** **16-05**

(52) **U.S. Cl.**
USPC **D16/237**

(58) **Field of Classification Search**
USPC D16/200–204, 208, 214, 219, 235, 237,
D16/242–245, 250; D14/217, 511;
248/176.1, 177.1, 178.1, 179.1, 180.1,
248/183.1, 187.1, 683; 348/373, 375;
396/12, 419–428; D8/394, 395;
356/141.1

See application file for complete search history.

(56) **References Cited**

U.S. PATENT DOCUMENTS

D185,996 S *	8/1959	Knowles	D16/205
D187,116 S *	1/1960	Knowles	D16/205
D188,567 S *	8/1960	Grosso	D16/207
D190,690 S *	6/1961	Smith	D16/205
D214,533 S *	6/1969	Anderson	D16/203
D224,162 S *	7/1972	Bach	D16/205
D315,742 S *	3/1991	Matsumoto	D16/205
D349,126 S *	7/1994	Lee	D16/242

6,198,528 B1	3/2001	Maynard	
D479,548 S *	9/2003	Bielefeld D16/206
6,665,063 B2	12/2003	Jamieson et al.	
D542,684 S *	5/2007	Nama D10/104.1
7,282,695 B2	10/2007	Weber et al.	
D639,983 S *	6/2011	Quadri D26/24
D643,057 S *	8/2011	Mendoza et al. D16/242
D645,892 S *	9/2011	Nishi D16/235

OTHER PUBLICATIONS

Chase 8—Precision Pan & Tilt Positioner. Copyright 2012. [online]
Retrieved on May 16, 2013 from URL: <www.jet-protect.com>.*

* cited by examiner

Primary Examiner — Susan Bennett Hattan

Assistant Examiner — Vy Koenig

(74) *Attorney, Agent, or Firm* — Haverstock & Ownes LLP

(57) **CLAIM**

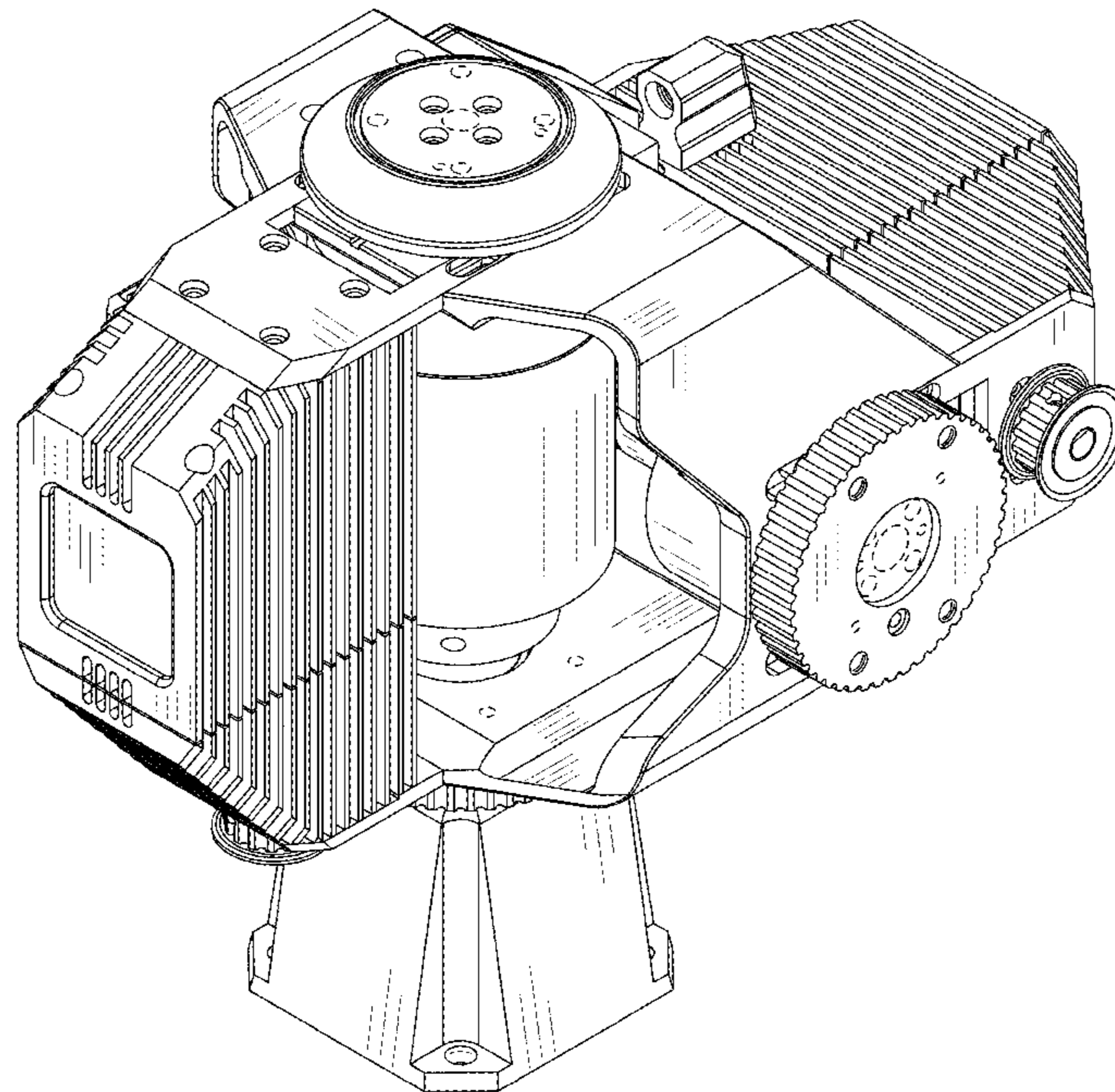
I claim the ornamental design for an open frame pan tilt positioner, as shown and described.

DESCRIPTION

FIG. 1 is a front view of the open frame pan tilt positioner; FIG. 2 is a back view of the open frame pan tilt positioner; FIG. 3 is a top view of the open frame pan tilt positioner; FIG. 4 is a bottom view of the open frame pan tilt positioner; FIG. 5 is a left side view of the open frame pan tilt positioner; FIG. 6 is a right side view of the open frame pan tilt positioner; and, FIG. 7 is a perspective view of the open frame pan tilt positioner.

The broken lines in the drawing depict environmental subject matter only and form no part of the claimed design.

1 Claim, 7 Drawing Sheets



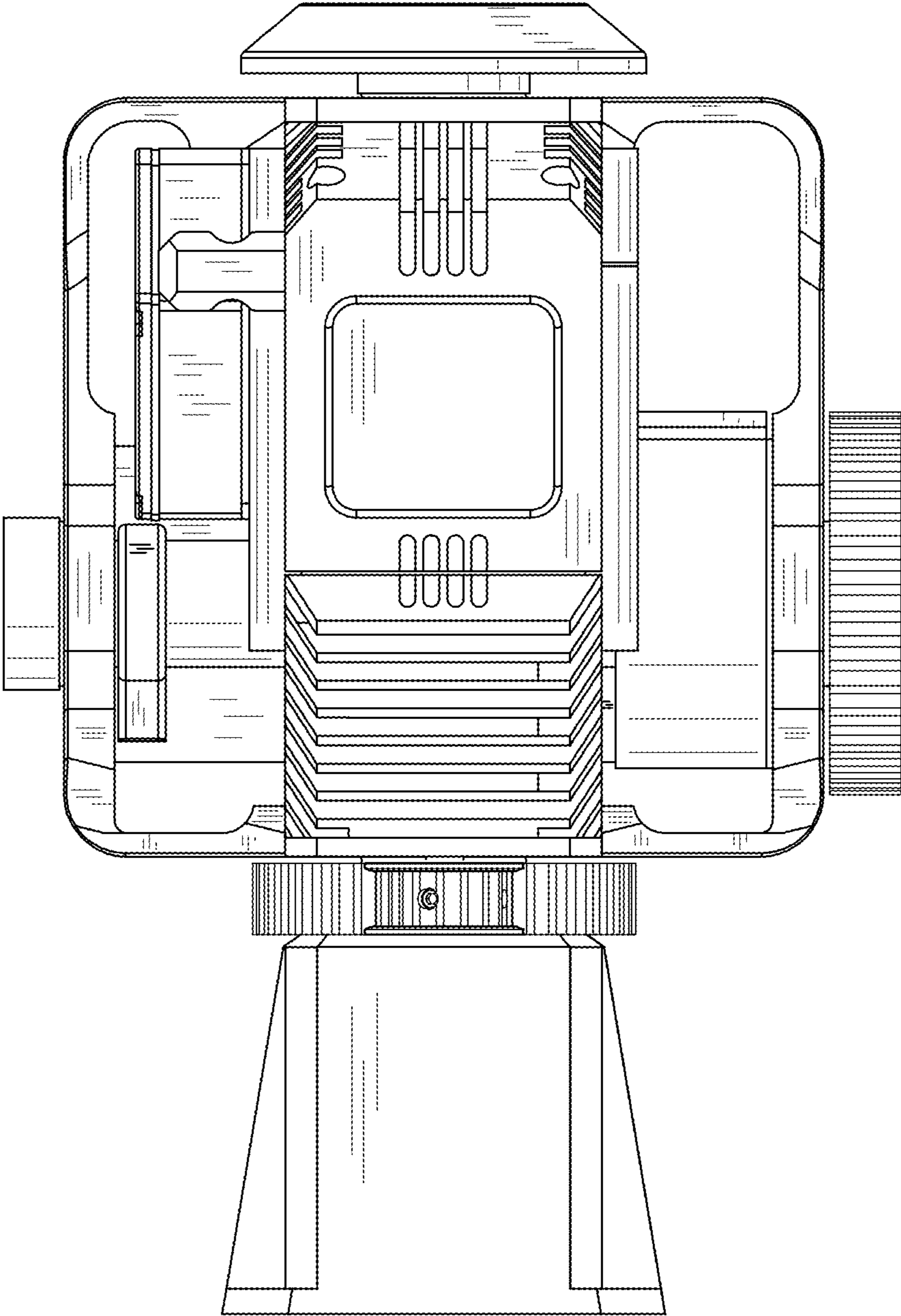


Fig. 1

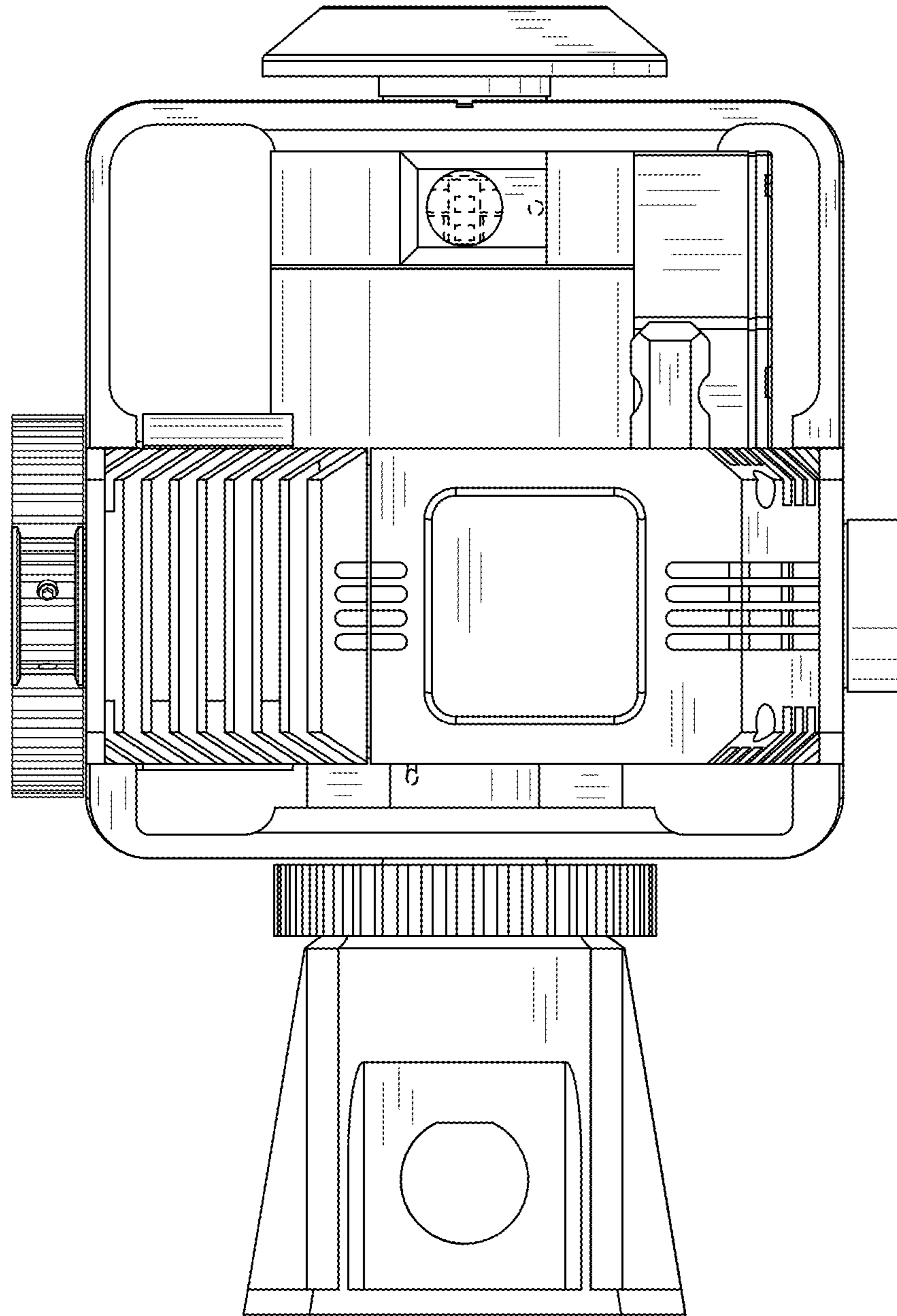


Fig. 2

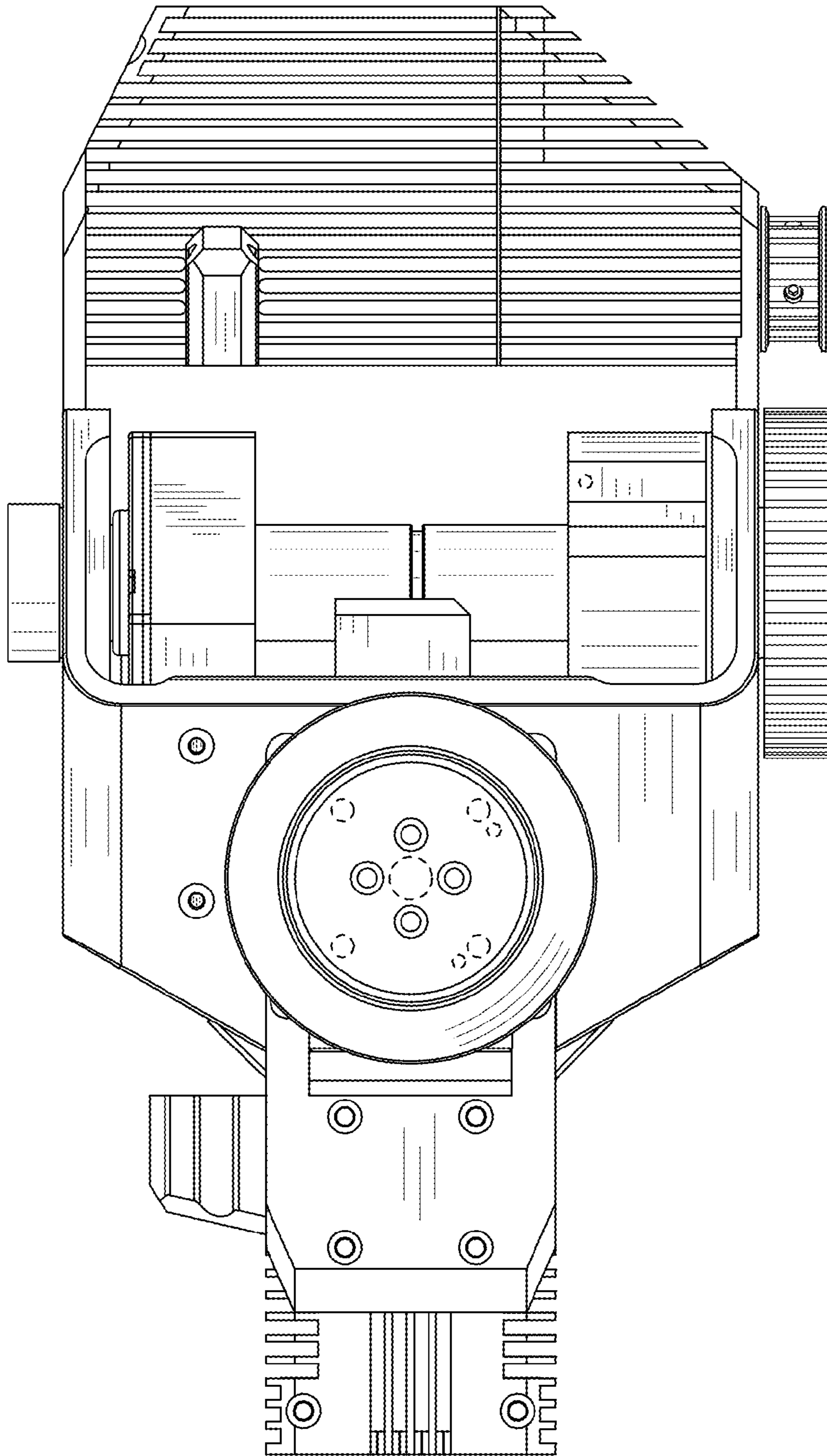


Fig. 3

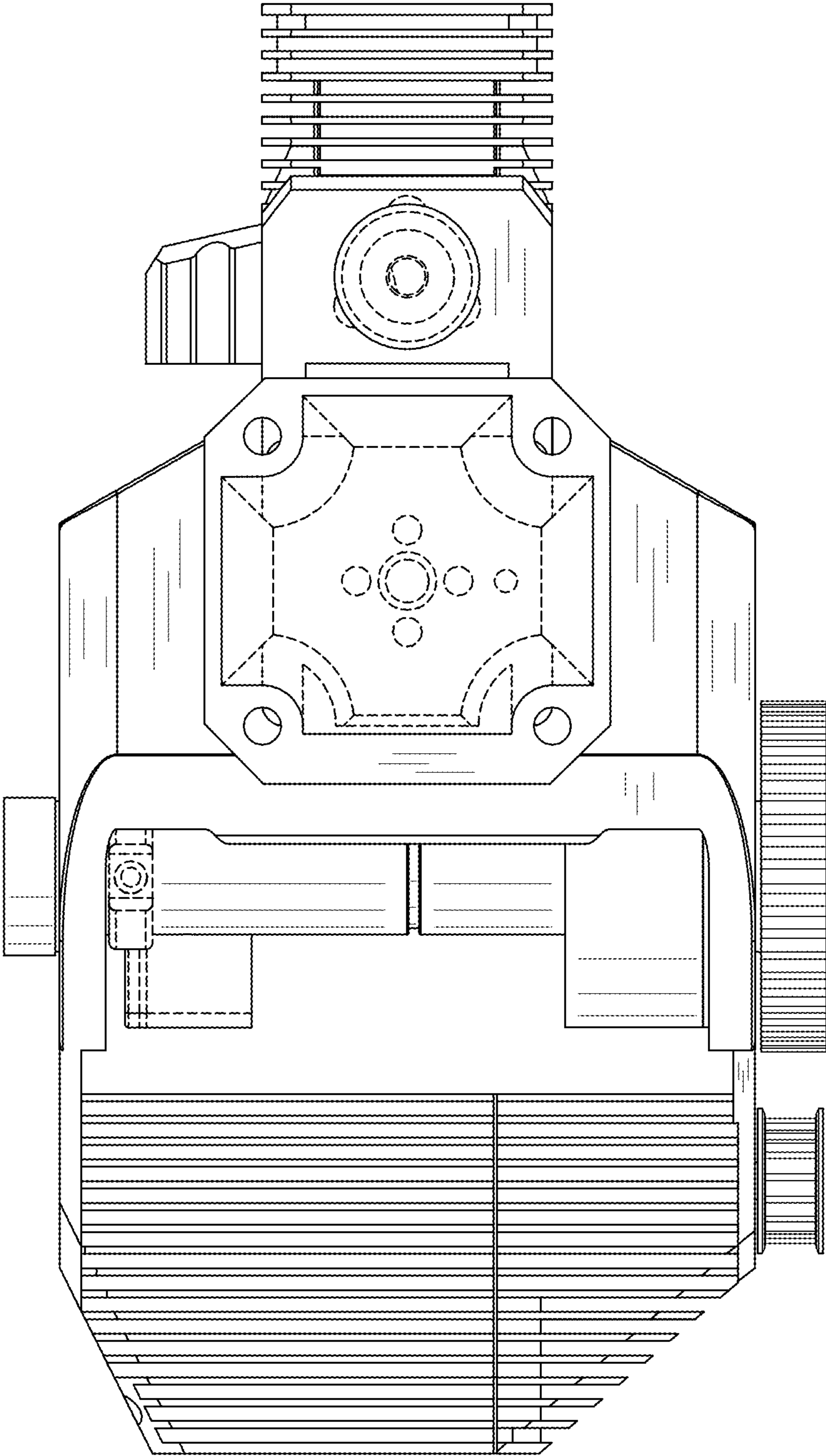


Fig. 4

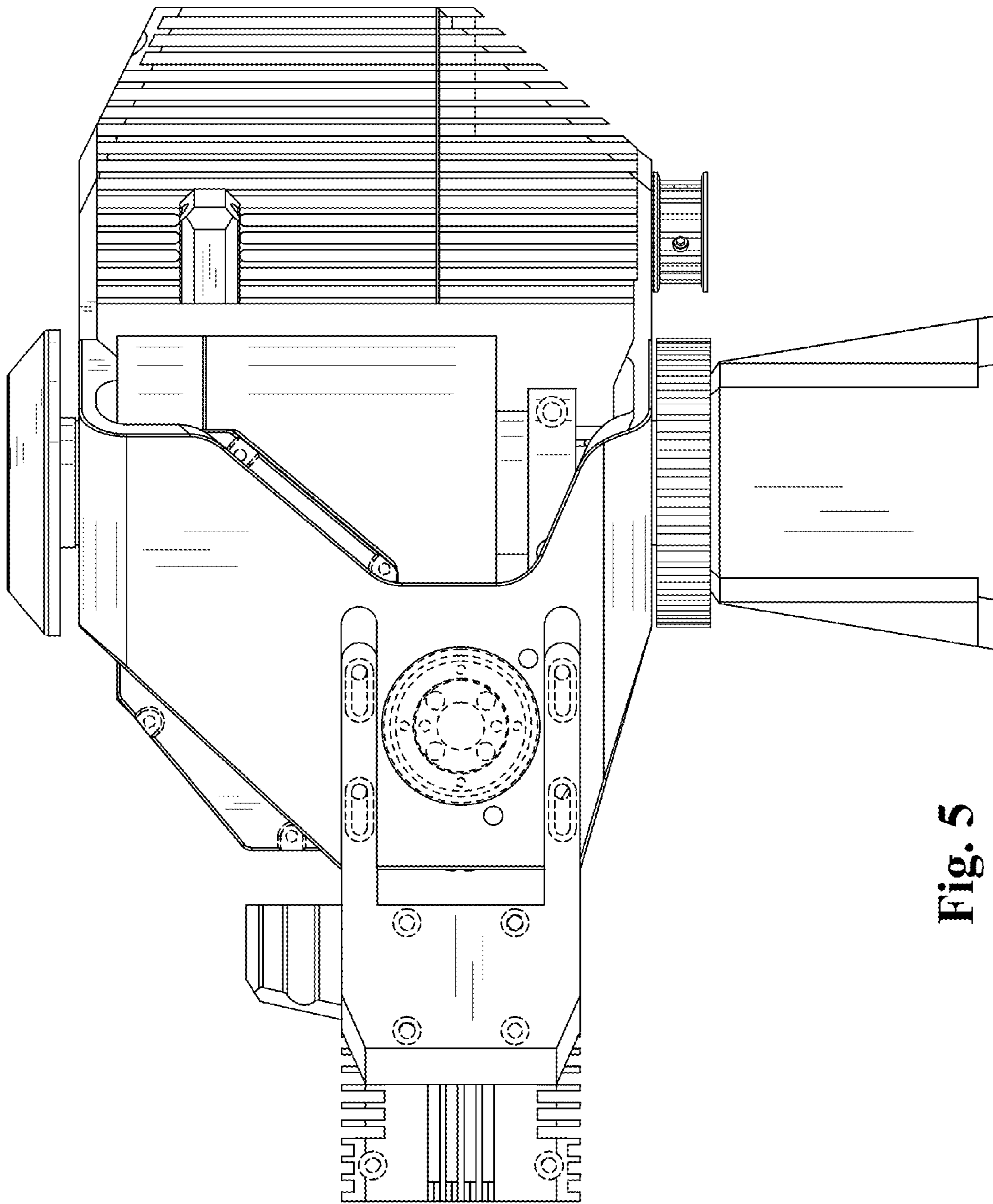


Fig. 5

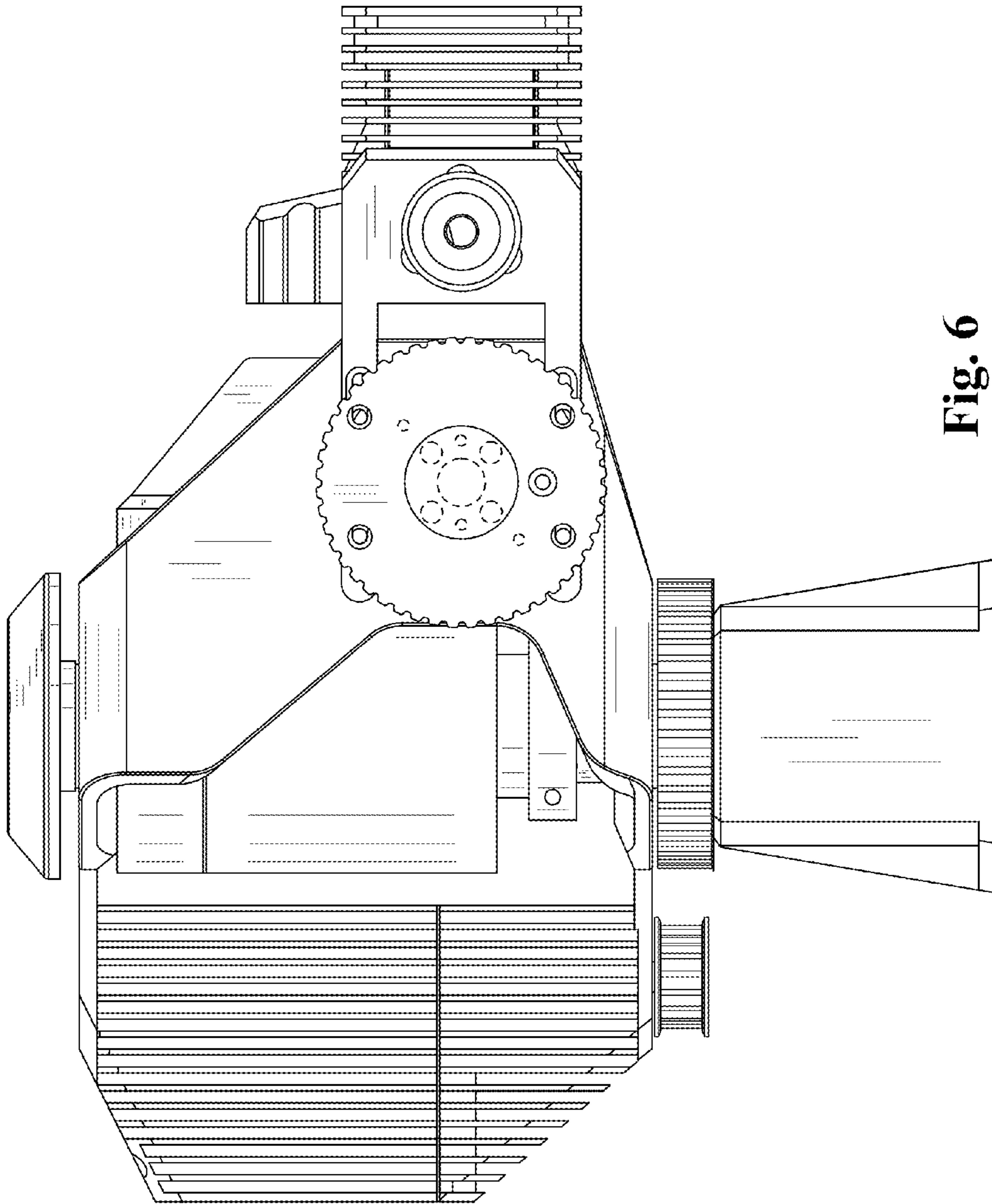


Fig. 6

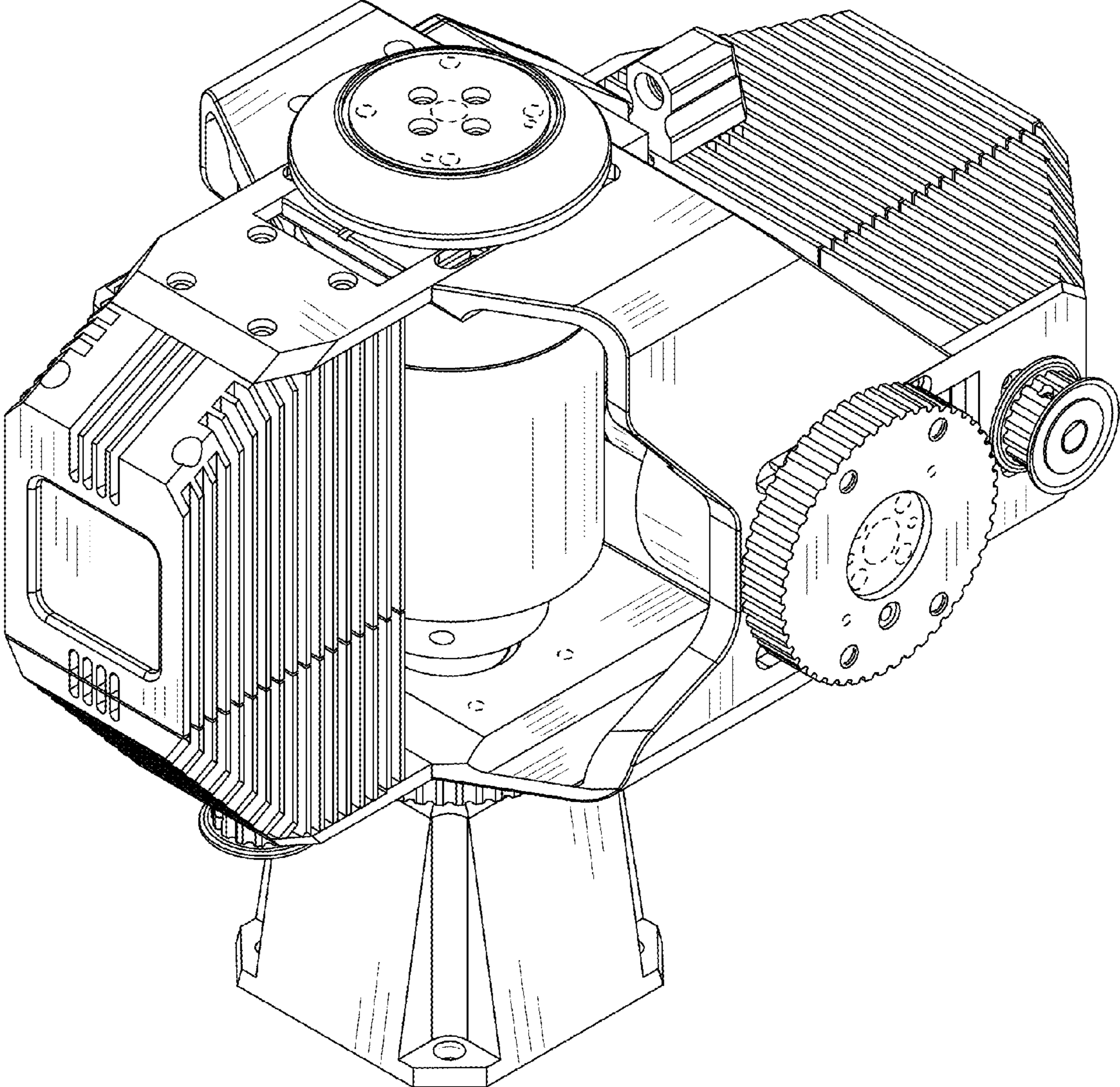


Fig. 7