



US00D705845S

(12) **United States Design Patent**  
**Chung**

(10) **Patent No.:** **US D705,845 S**

(45) **Date of Patent:** **\*\* May 27, 2014**

(54) **BAR-TYPE LICENSE PLATE CAMERA WITH LED WHITE LIGHTS**

(71) Applicant: **Dae Kwon Chung**, Fullerton, CA (US)

(72) Inventor: **Dae Kwon Chung**, Fullerton, CA (US)

(\*\*) Term: **14 Years**

(21) Appl. No.: **29/435,840**

(22) Filed: **Oct. 29, 2012**

(51) **LOC (10) Cl.** ..... **16-01**

(52) **U.S. Cl.**  
USPC ..... **D16/208**; D12/193

(58) **Field of Classification Search**  
CPC ..... G03B 15/03; G03B 17/02; G03B 17/04;  
G03B 17/48; G03B 17/56; G03B 19/04;  
G08G 1/0175; H04N 5/2251; H04N 5/2252;  
H04N 5/2253; H04N 5/2254; H04N 2101/00;  
B60R 1/00  
USPC ..... D16/200, 202–204, 208, 211, 212, 218,  
D16/219; D12/193, 400; 340/937; 348/148,  
348/143, 151, 373–376; 396/429, 535,  
396/539–541

See application file for complete search history.

(56) **References Cited**

**U.S. PATENT DOCUMENTS**

D468,333	S	*	1/2003	Fenton	.....	D16/203
D535,676	S	*	1/2007	Dayan	.....	D16/218
D537,765	S	*	3/2007	Porter	.....	D12/193
D578,049	S	*	10/2008	Son	.....	D12/193
D596,545	S	*	7/2009	Son	.....	D12/193

8,054,378	B2	*	11/2011	Kao	.....	348/373
D672,297	S	*	12/2012	Dong	.....	D12/193
8,432,446	B2	*	4/2013	Son	.....	348/148
D685,307	S	*	7/2013	Chung	.....	D12/193
D690,346	S	*	9/2013	Woolley	.....	D16/204
2005/0093684	A1	*	5/2005	Cunnien	.....	340/435
2009/0128687	A1	*	5/2009	Woo	.....	348/373
2011/0286170	A1	*	11/2011	Liu	.....	361/679.4

**OTHER PUBLICATIONS**

Boyo Cameras. Visiontechamerica.com[online]. Jun. 30, 2012 [retrieved on Feb. 18, 2014]. Retrieved from the Internet: <http://visiontechamerica.com/site/works/cameras/>.\*

\* cited by examiner

*Primary Examiner* — Adir Aronovich

*Assistant Examiner* — Ramzi Almatrahi

(74) *Attorney, Agent, or Firm* — John K. Park; Park Law Firm

(57) **CLAIM**

The ornamental design for a bar-type license plate camera with LED white lights, as shown and described.

**DESCRIPTION**

FIG. 1 is a perspective view of a bar-type license plate camera with LED white lights showing my new design; FIG. 2 is a front elevational view thereof; FIG. 3 is a rear elevational view thereof; FIG. 4 is a side elevational view thereof; FIG. 5 is a top plan view thereof; and, FIG. 6 is a bottom plan view thereof.

**1 Claim, 2 Drawing Sheets**

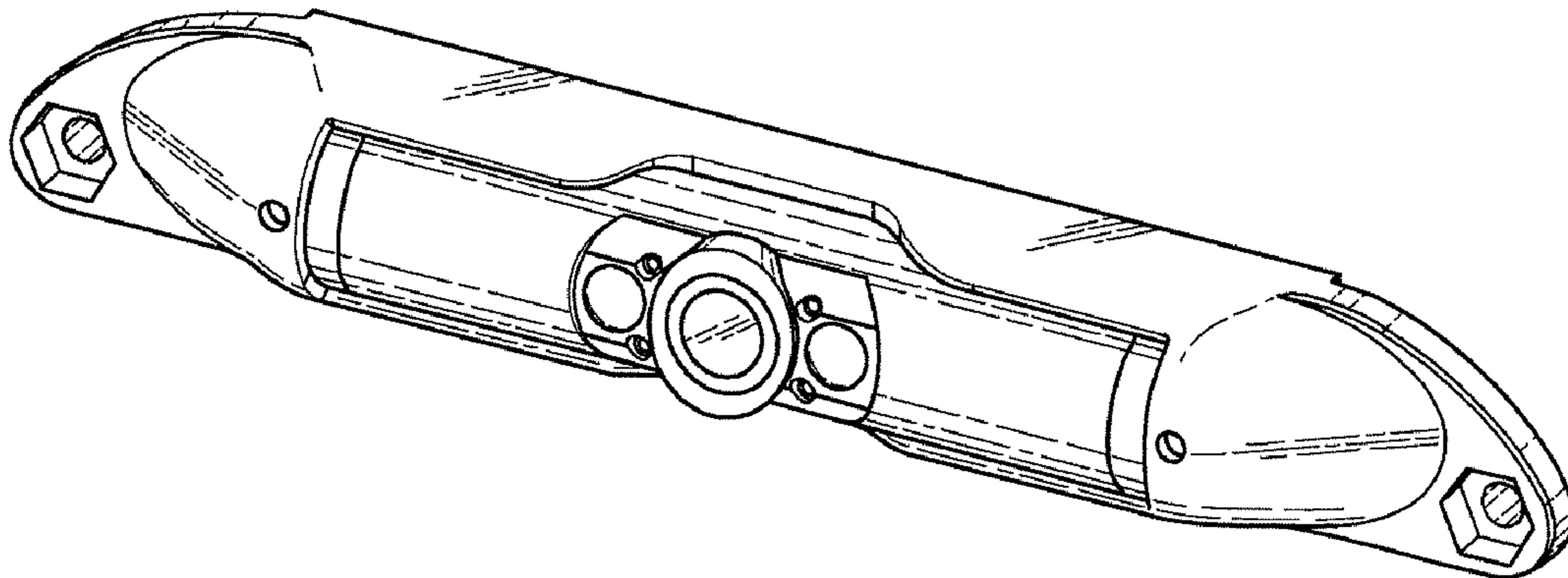


FIG. 1

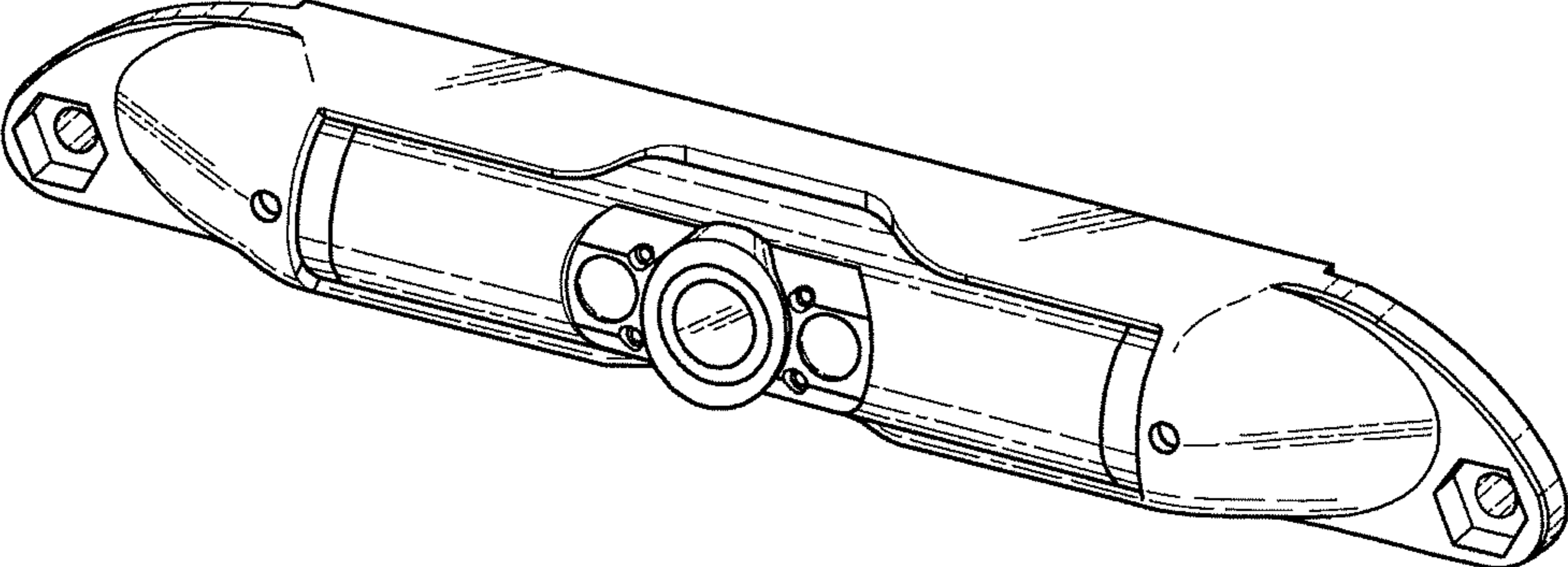


FIG. 2

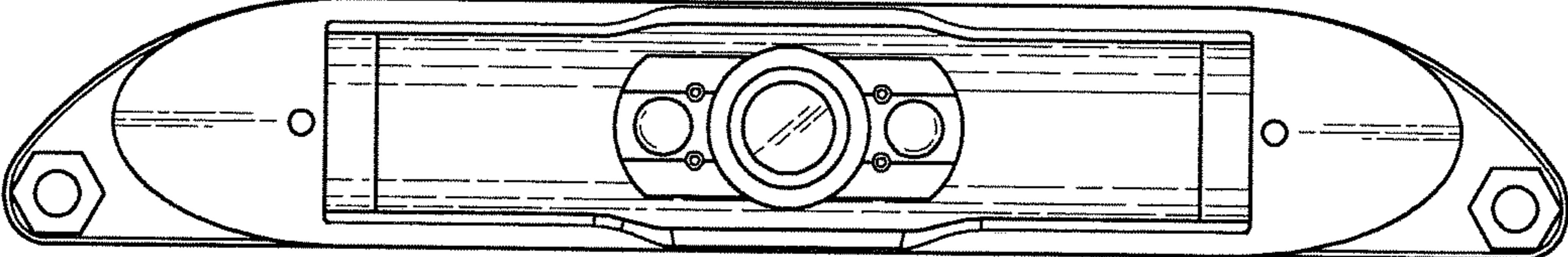


FIG. 3

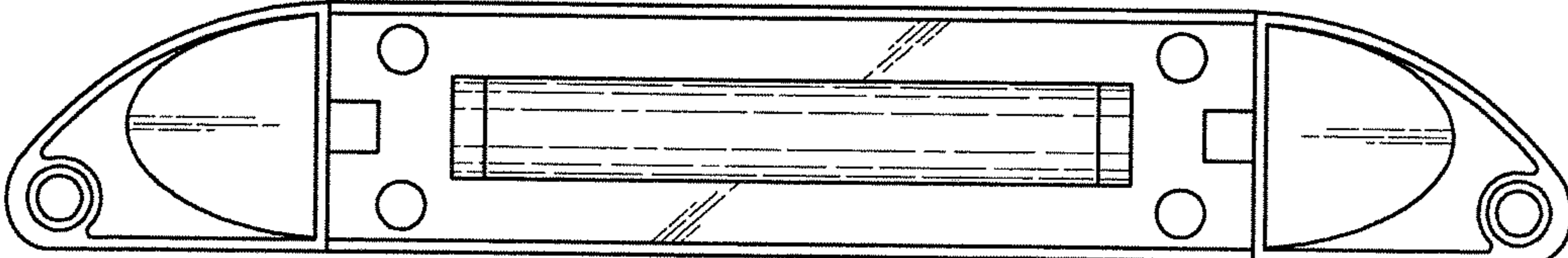


FIG. 4

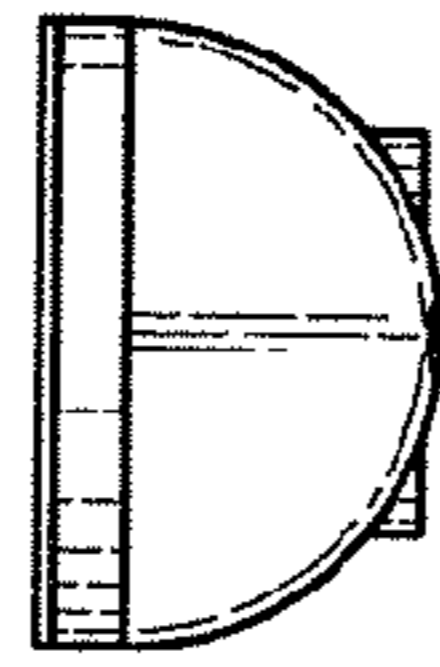


FIG. 5

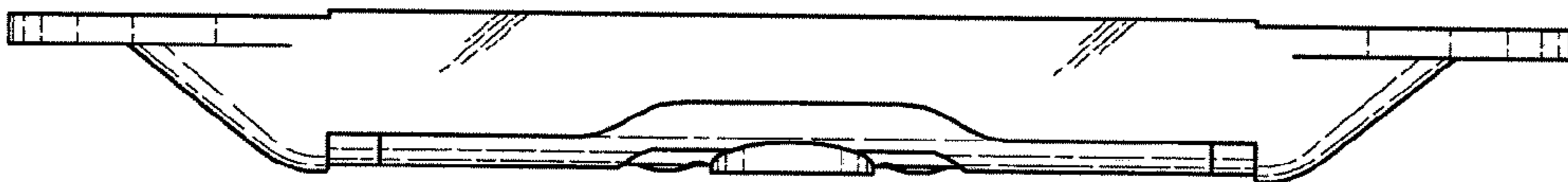


FIG. 6

