



US00D705843S

(12) **United States Design Patent**
Kawai

(10) **Patent No.:** **US D705,843 S**

(45) **Date of Patent:** **** May 27, 2014**

(54) **VIDEO CAMERA**

(71) Applicant: **Shimadzu Corporation**, Kyoto (JP)

(72) Inventor: **Jun Kawai**, Kyoto (JP)

(73) Assignee: **Shimadzu Corporation**, Kyoto (JP)

(**) Term: **14 Years**

(21) Appl. No.: **29/435,529**

(22) Filed: **Oct. 25, 2012**

(30) **Foreign Application Priority Data**

Aug. 27, 2012 (JP) 2012-020399

(51) **LOC (10) Cl.** **16-01**

(52) **U.S. Cl.**
USPC **D16/202**

(58) **Field of Classification Search**
USPC D16/200, 202, 203, 204, 205, 208, 218;
348/373-376; 358/906; 396/535, 540,
396/541

See application file for complete search history.

(56) **References Cited**

U.S. PATENT DOCUMENTS

4,764,817 A * 8/1988 Blazek et al. 348/376
D314,782 S * 2/1991 Hong D16/202

5,233,667 A * 8/1993 Lee 358/906
D350,552 S * 9/1994 Cha D16/202
D412,515 S * 8/1999 Oka D16/202
D483,782 S * 12/2003 Lannestedt et al. D16/202
D486,845 S * 2/2004 Oka D16/202
D543,223 S * 5/2007 Uchiyama et al. D16/202

* cited by examiner

Primary Examiner — Adir Aronovich

(74) *Attorney, Agent, or Firm* — Jianq Chyun IP Office

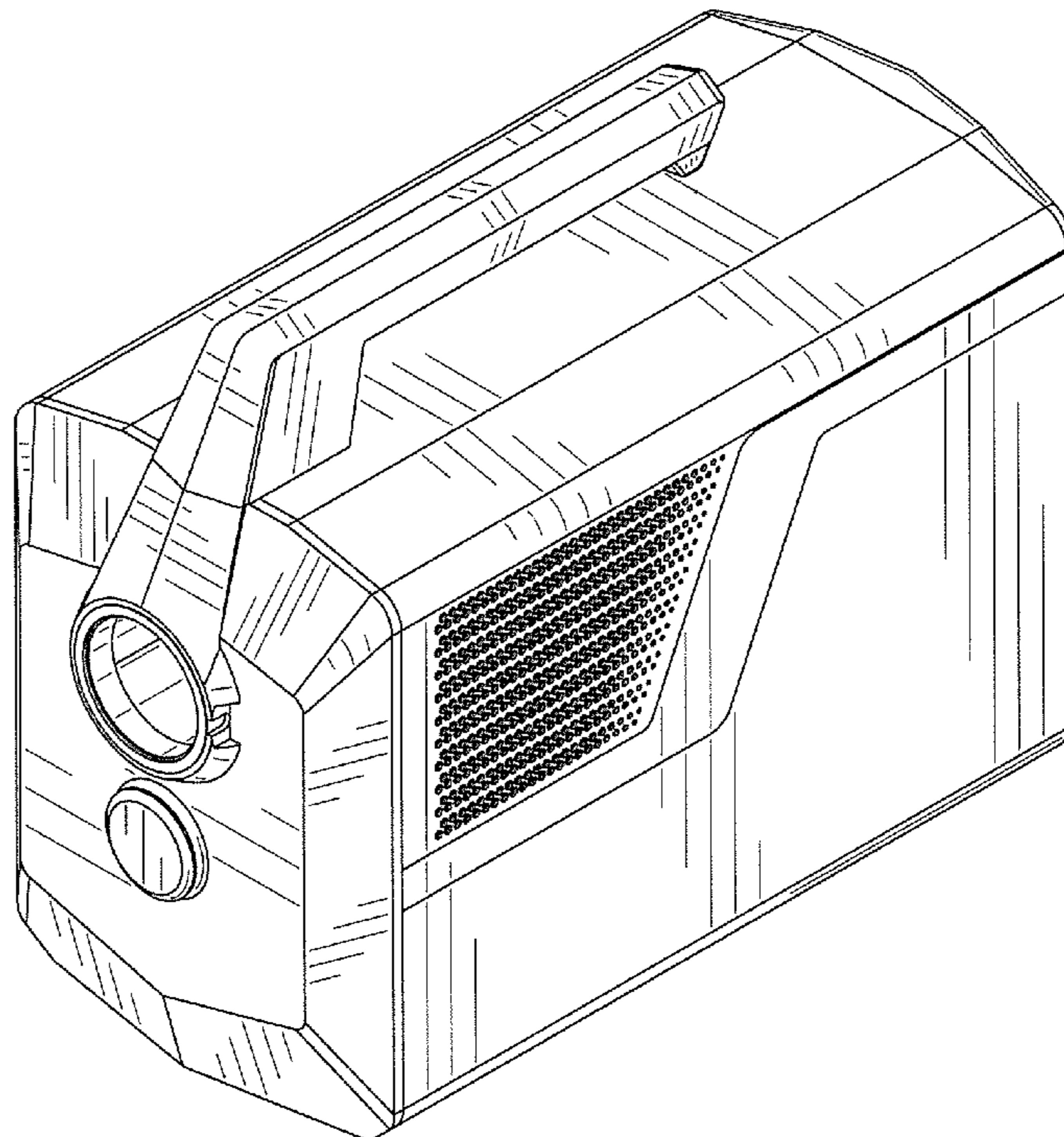
(57) **CLAIM**

The ornamental design for a video camera, as shown and described.

DESCRIPTION

FIG. 1 is a top, front and left side perspective view of a video camera showing my new design;
FIG. 2 is a front elevational view thereof;
FIG. 3 is a rear elevational view thereof;
FIG. 4 is a left side elevational view thereof;
FIG. 5 is a right side elevational view thereof;
FIG. 6 is a top plan view thereof;
FIG. 7 is a bottom plan view thereof; and,
FIG. 8 is a top, front and left side perspective view thereof with a camera lens attached. The broken line portion of the camera lens is shown to illustrate environment only and form no part of the claimed design.

1 Claim, 8 Drawing Sheets



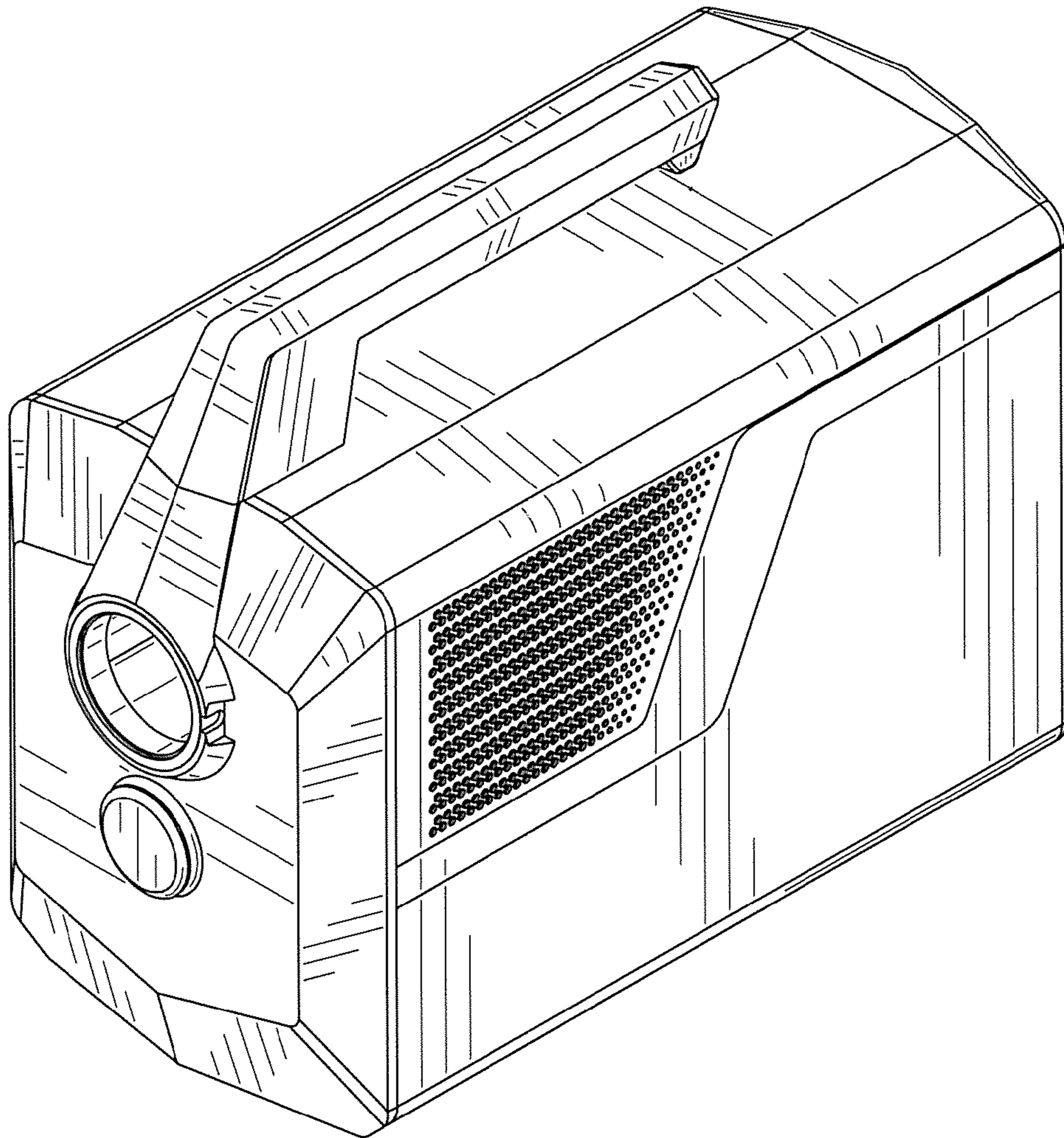


FIG. 1

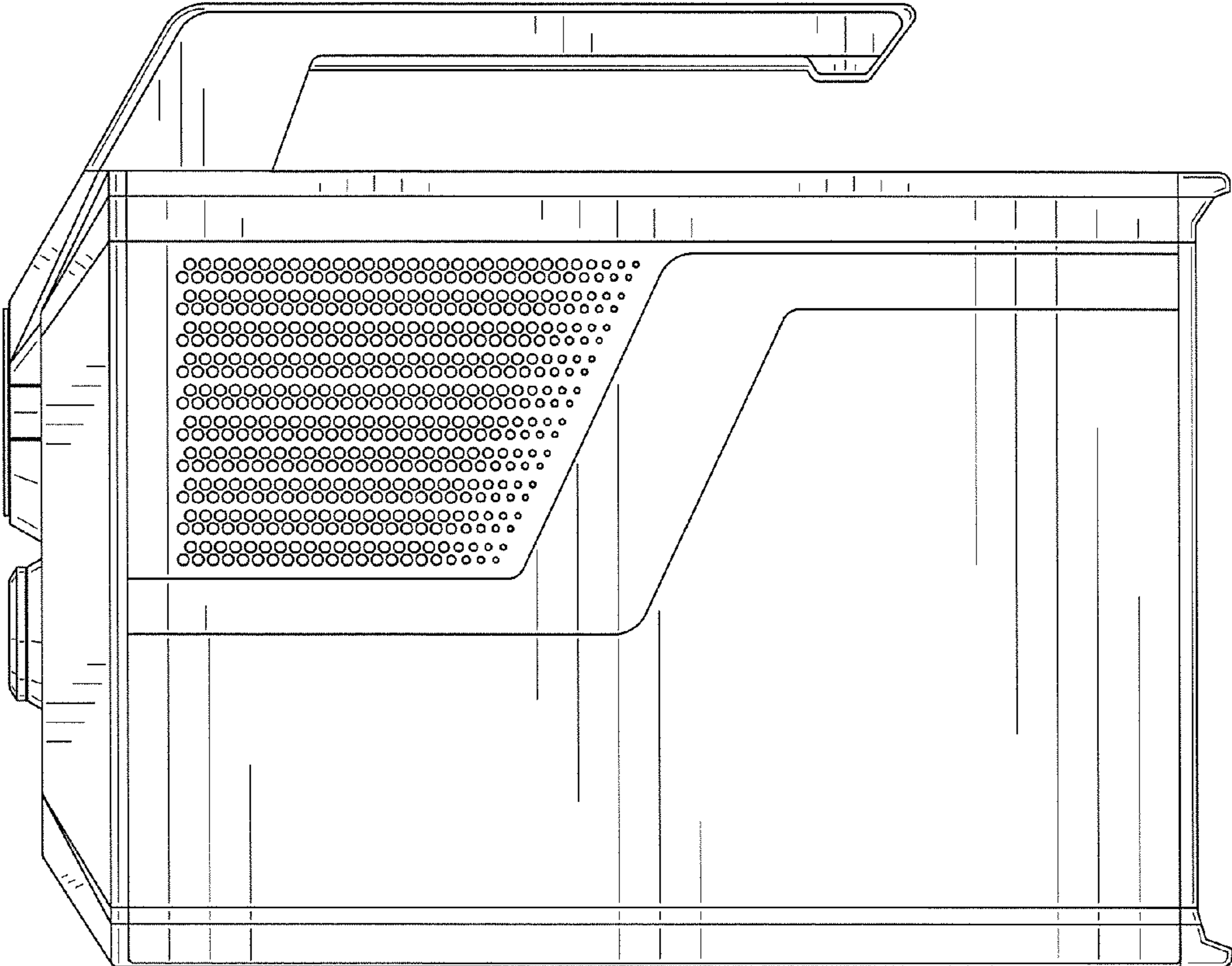


FIG. 2

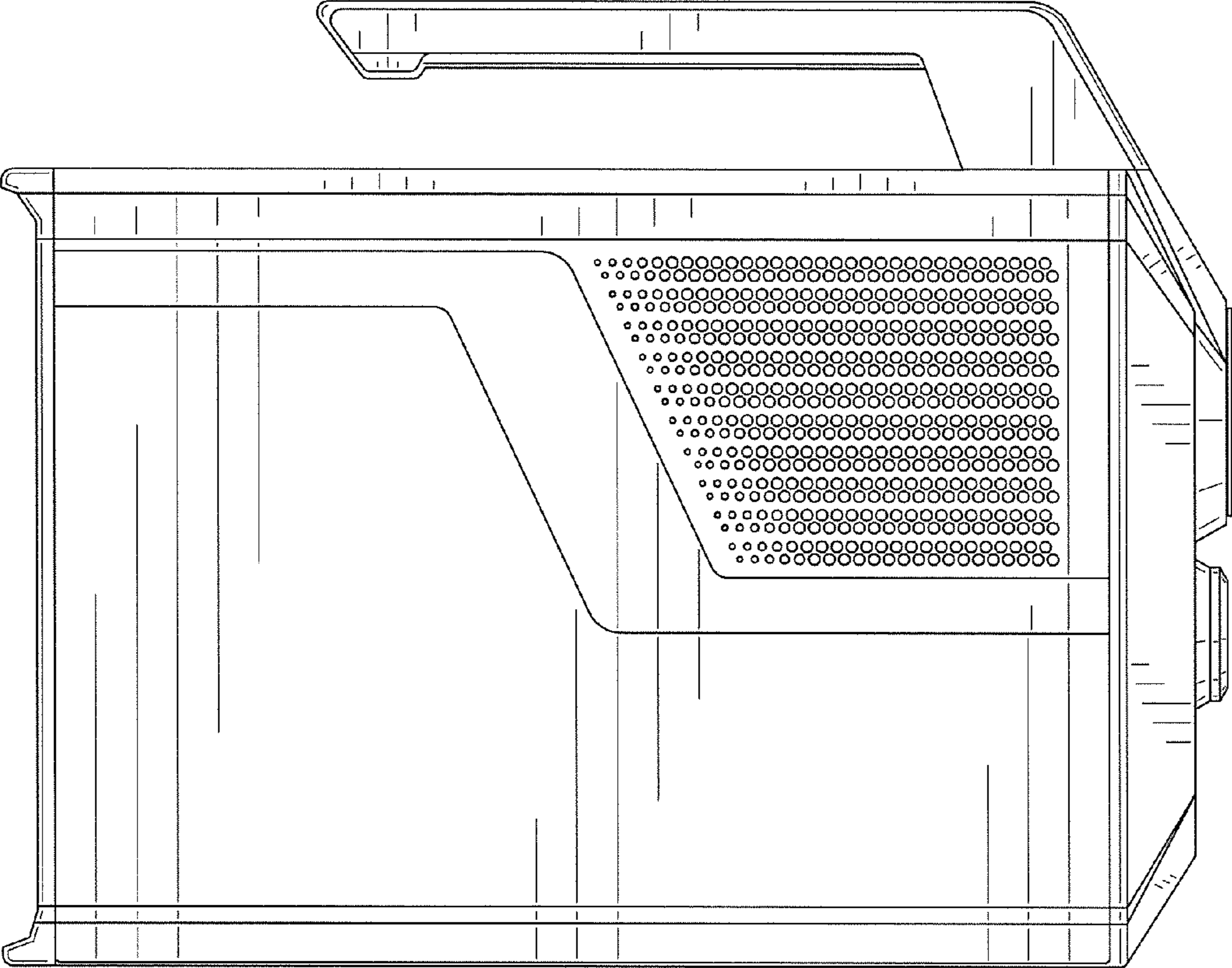


FIG. 3

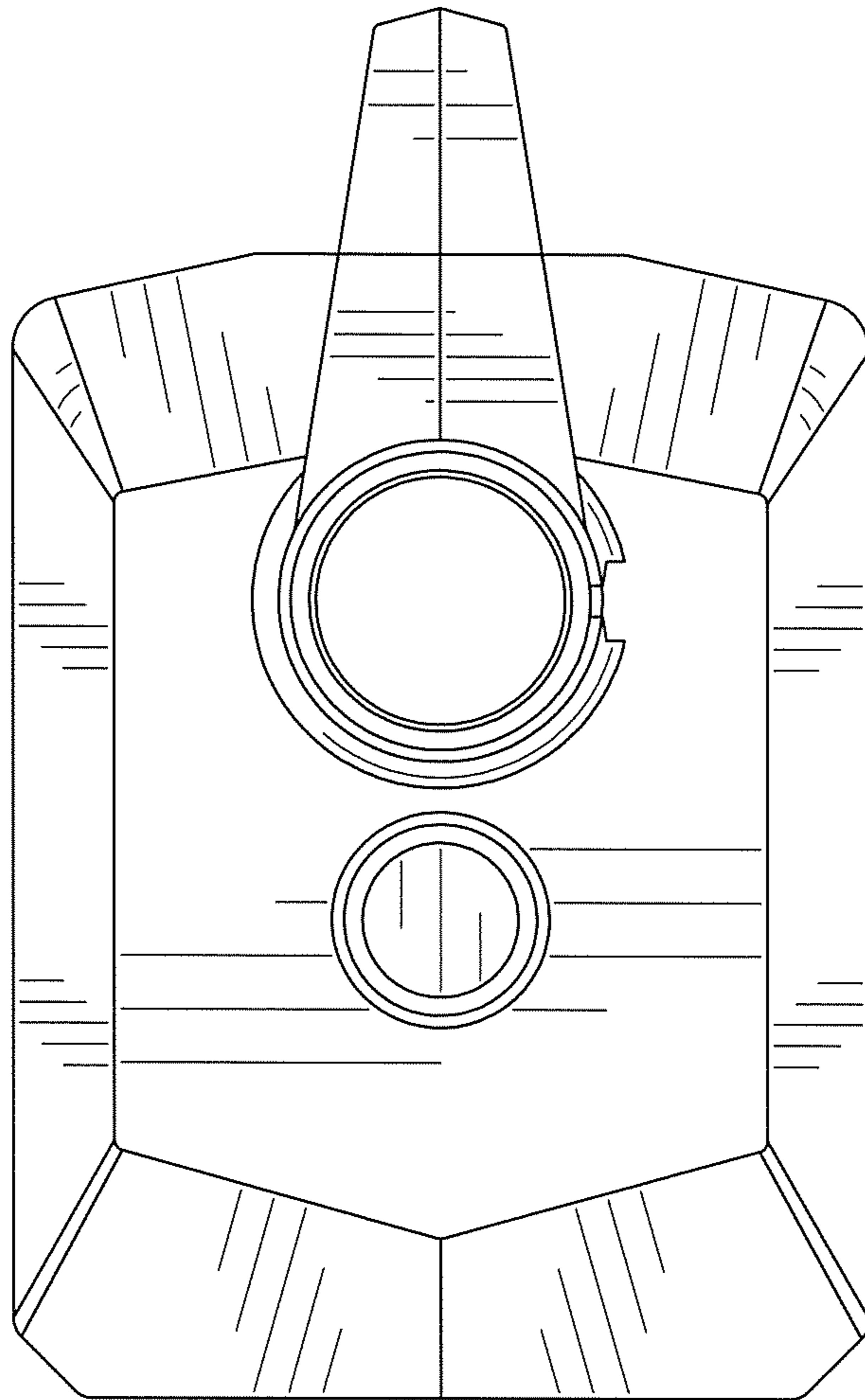


FIG. 4

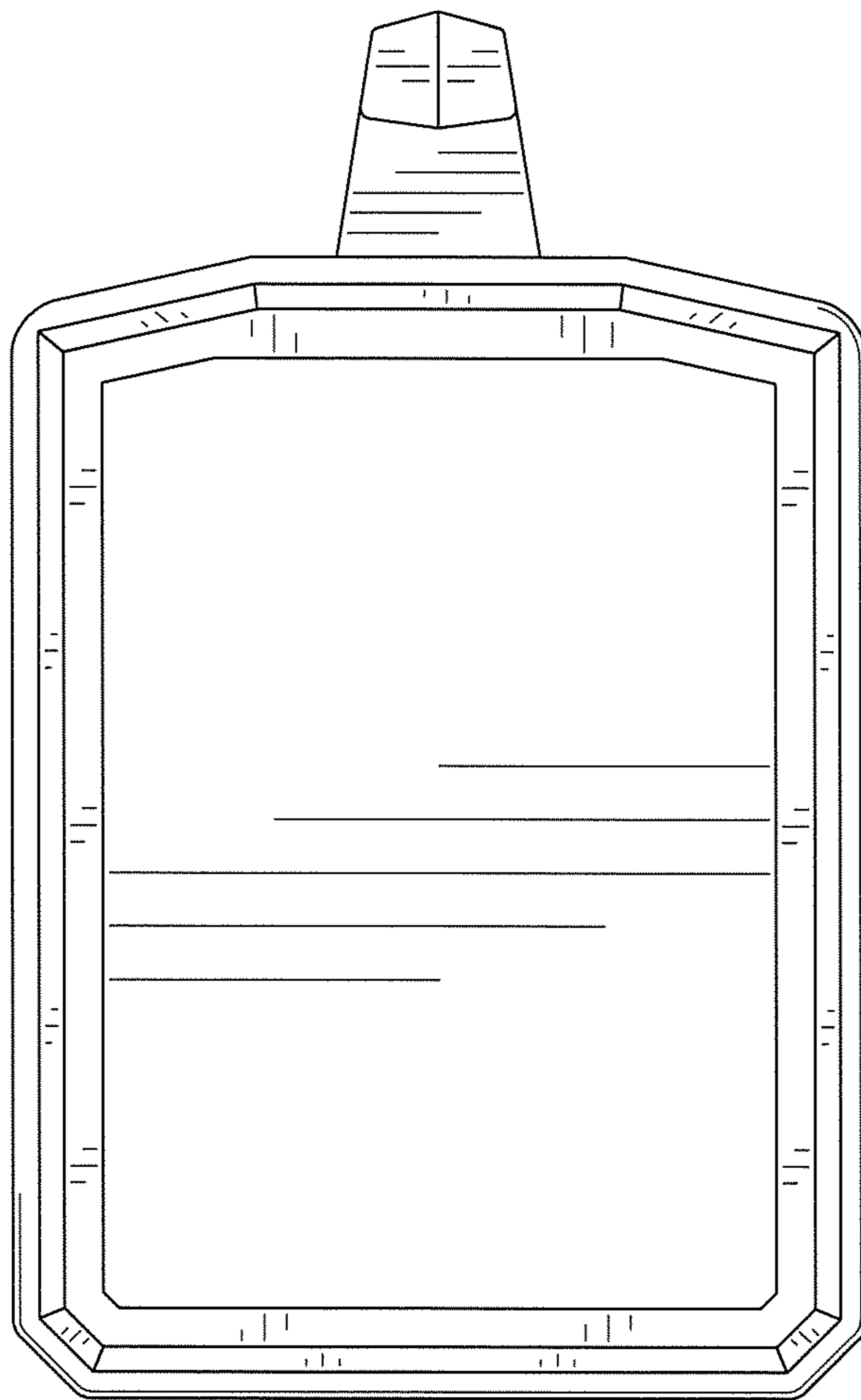


FIG. 5

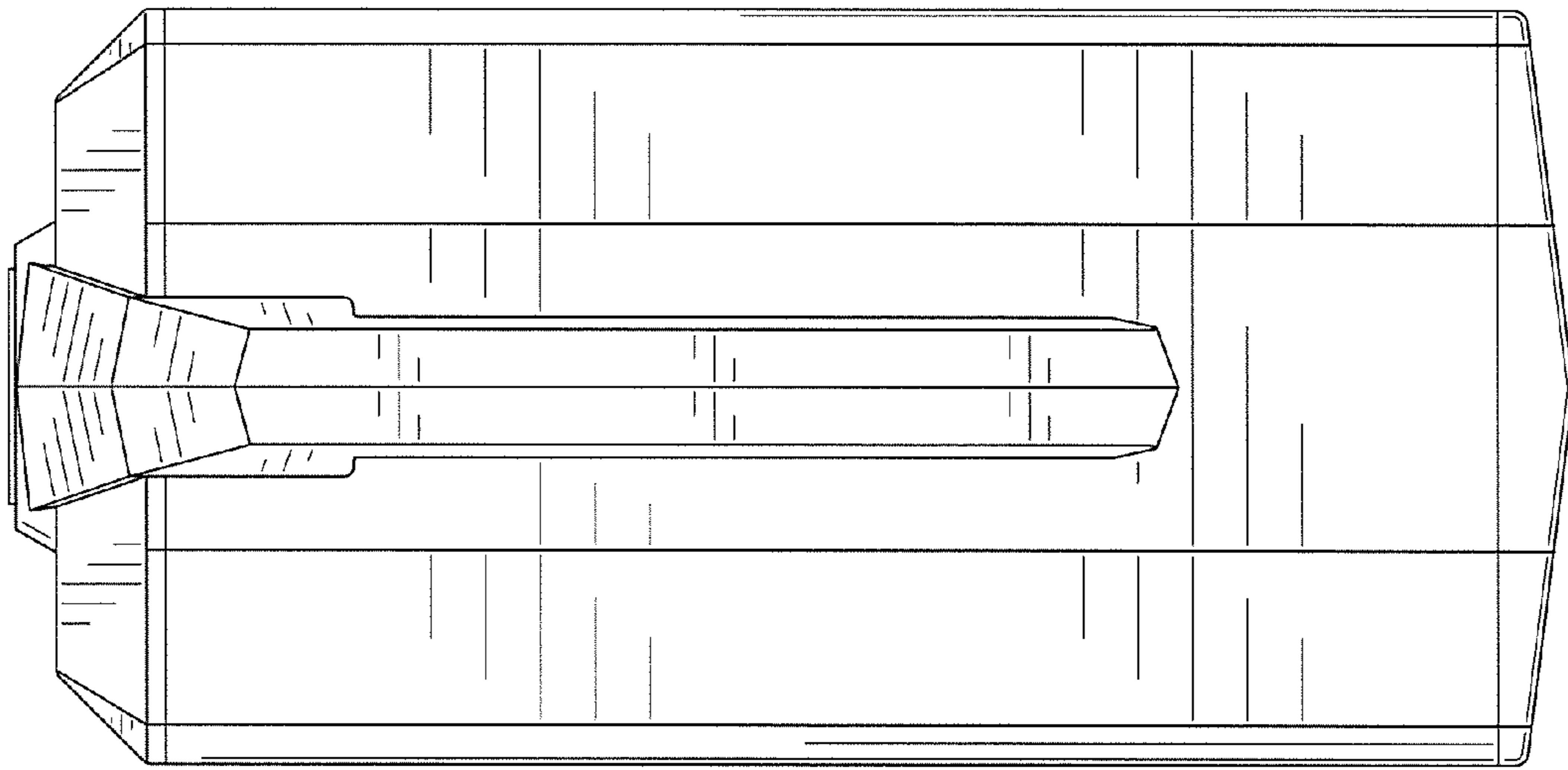


FIG. 6

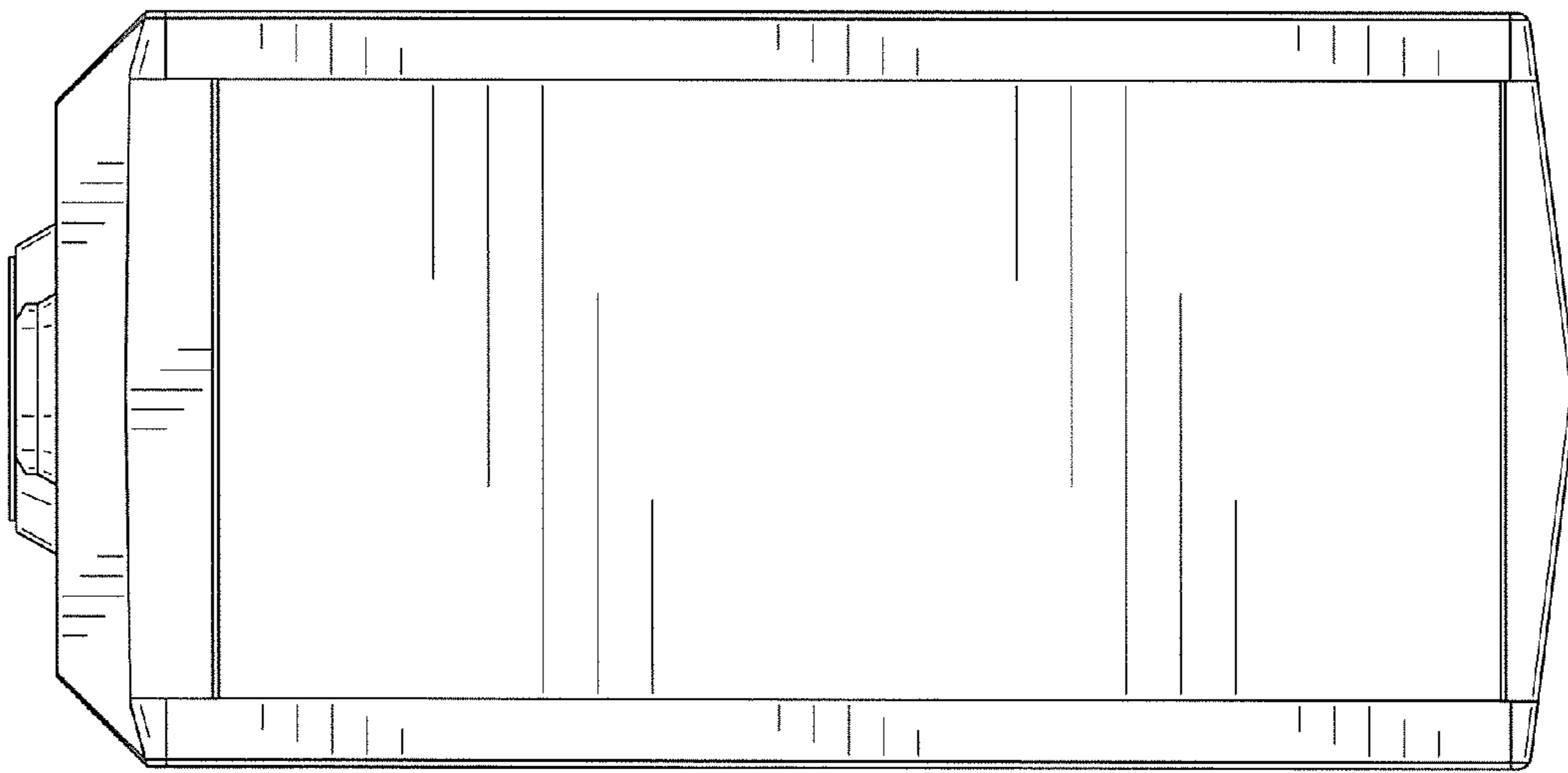


FIG. 7

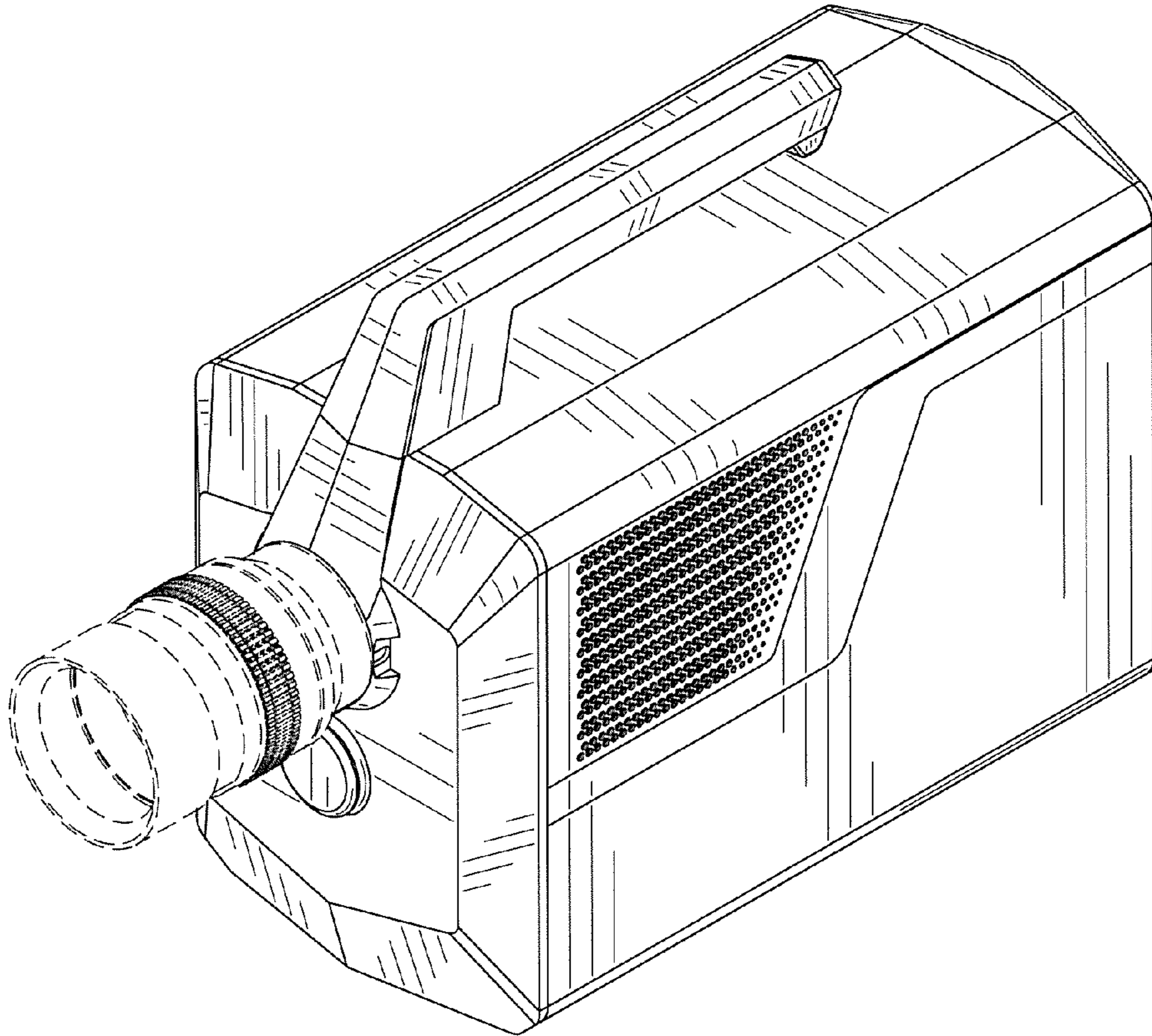


FIG. 8