



US00D705842S

(12) **United States Design Patent**
Su

(10) **Patent No.:** **US D705,842 S**
(45) **Date of Patent:** **** May 27, 2014**

(54) **HANDLE OF HANDHELD LENS**

(71) Applicant: **Hong Ann Tool Industries Co., Ltd.**,
Taichung (TW)

(72) Inventor: **Cheng-Wei Su**, Taichung (TW)

(73) Assignee: **Hong Ann Tool Industries Co., Ltd.**,
Taichung (TW)

(**) Term: **14 Years**

(21) Appl. No.: **29/454,996**

(22) Filed: **May 16, 2013**

(30) **Foreign Application Priority Data**

Jan. 10, 2013 (TW) 102300246

(51) **LOC (10) Cl.** **16-06**

(52) **U.S. Cl.**
CPC **G02B 25/02 (2013.01)**
USPC **D16/135**

(58) **Field of Classification Search**
CPC G02B 25/02
USPC D14/135, 136, 130; 359/803, 804, 805,
359/806, 807-811; 362/109, 217.01, 253,
362/98; D6/300; D28/64.4
See application file for complete search history.

(56) **References Cited**

U.S. PATENT DOCUMENTS

1,909,662 A * 5/1933 Connors 359/803
2,322,441 A * 6/1943 Holliday 359/812
D163,349 S * 5/1951 Baratelli D16/135
4,903,706 A * 2/1990 Vila-Cora et al. 600/558
D324,060 S * 2/1992 Huang D16/135
D333,313 S * 2/1993 Hornschu et al. D16/135
D336,655 S * 6/1993 Lee D16/135
D394,073 S * 5/1998 Hennessy et al. D16/135
D428,032 S * 7/2000 Lee D16/135

D559,876 S * 1/2008 Yip et al. D16/135
D568,354 S * 5/2008 Krause D16/135
D637,220 S * 5/2011 Levine D16/135
D654,107 S * 2/2012 Huang D16/135
2008/0158696 A1 * 7/2008 Yip et al. 359/811
2013/0229720 A1 * 9/2013 Su 359/803

* cited by examiner

Primary Examiner — Paula Greene

(74) *Attorney, Agent, or Firm* — Alan Kamrath; Kamrath IP
Lawfrim, P.A.

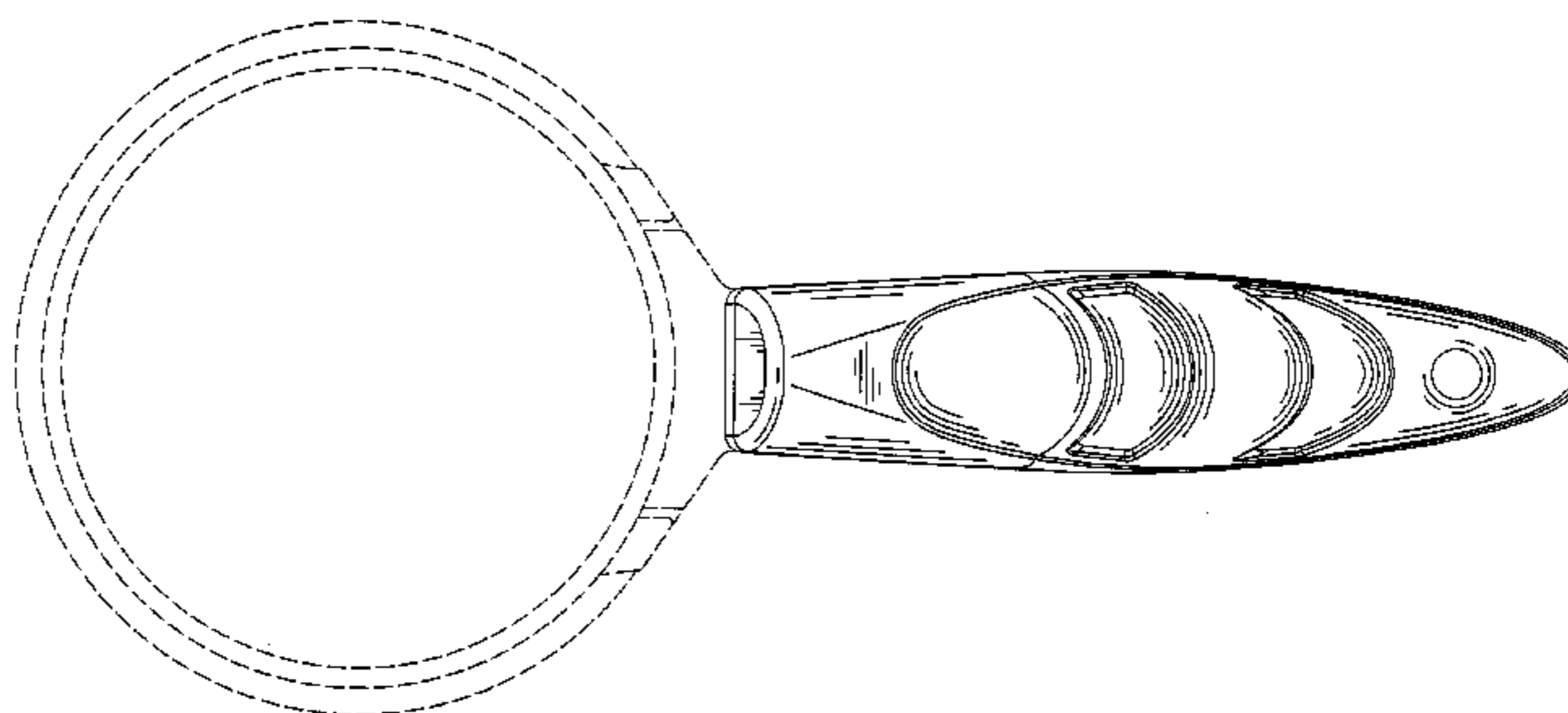
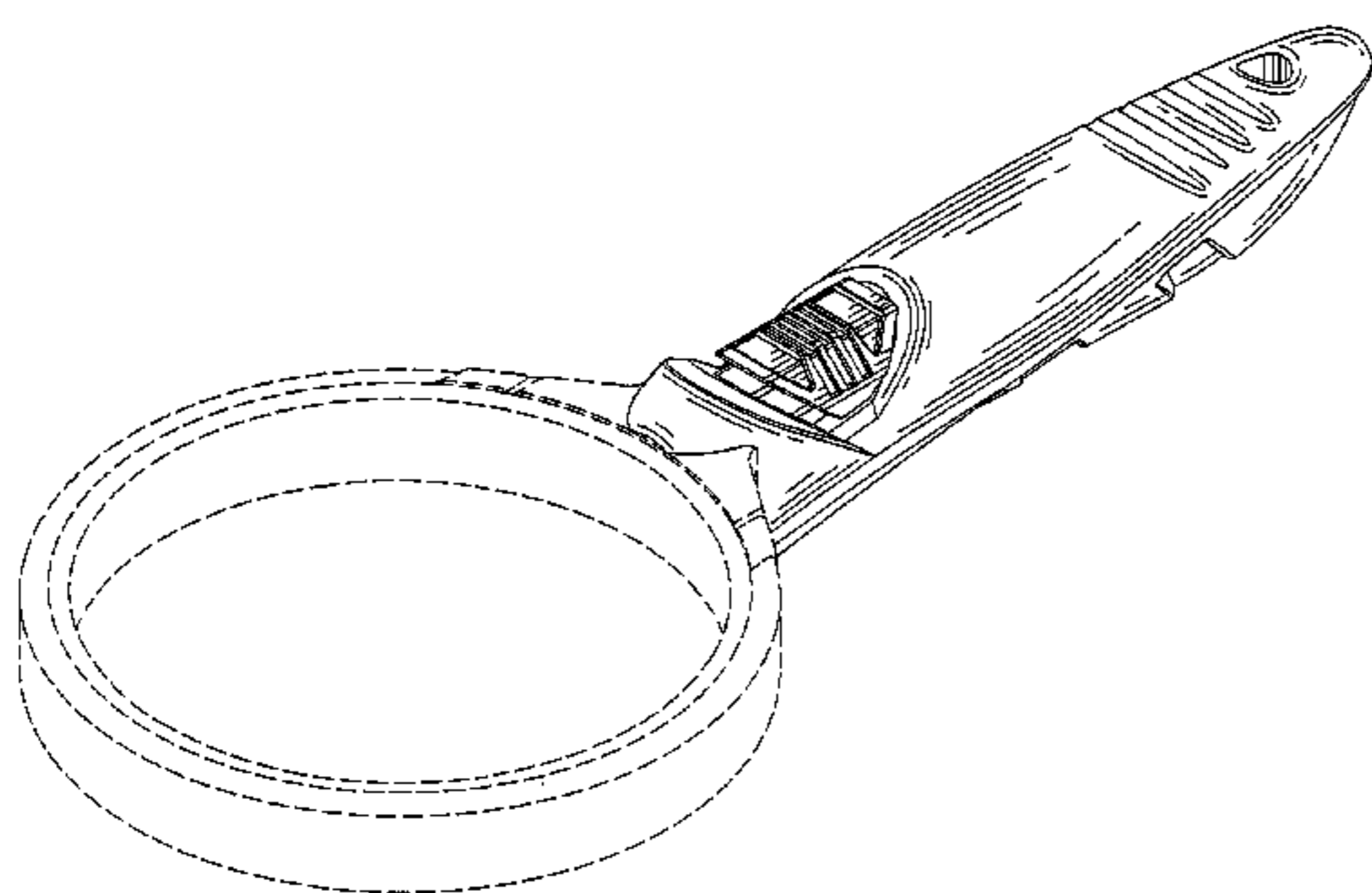
(57) **CLAIM**

The ornamental design for handle of handheld lens, is as
shown and described.

DESCRIPTION

FIG. 1 is a perspective view of a handle of handheld lens
showing my new design in which the broken line is for illus-
trative purposes only and forms no part of the claimed design;
FIG. 2 is a perspective view of a handle of handheld lens
showing my new design in which the broken line is for illus-
trative purposes only and forms no part of the claimed design;
FIG. 3 is a front view thereof in which the broken line is for
illustrative purposes only and forms no part of the claimed
design, with the opposite side being a mirror image thereof;
FIG. 4 is a left view thereof in which the broken line is for
illustrative purposes only and forms no part of the claimed
design;
FIG. 5 is a right view thereof in which the broken line is for
illustrative purposes only and forms no part of the claimed
design;
FIG. 6 is a top view thereof in which the broken line is for
illustrative purposes only and forms no part of the claimed
design; and,
FIG. 7 is a bottom view thereof in which the broken line is for
illustrative purposes only and forms no part of the claimed
design.

1 Claim, 6 Drawing Sheets



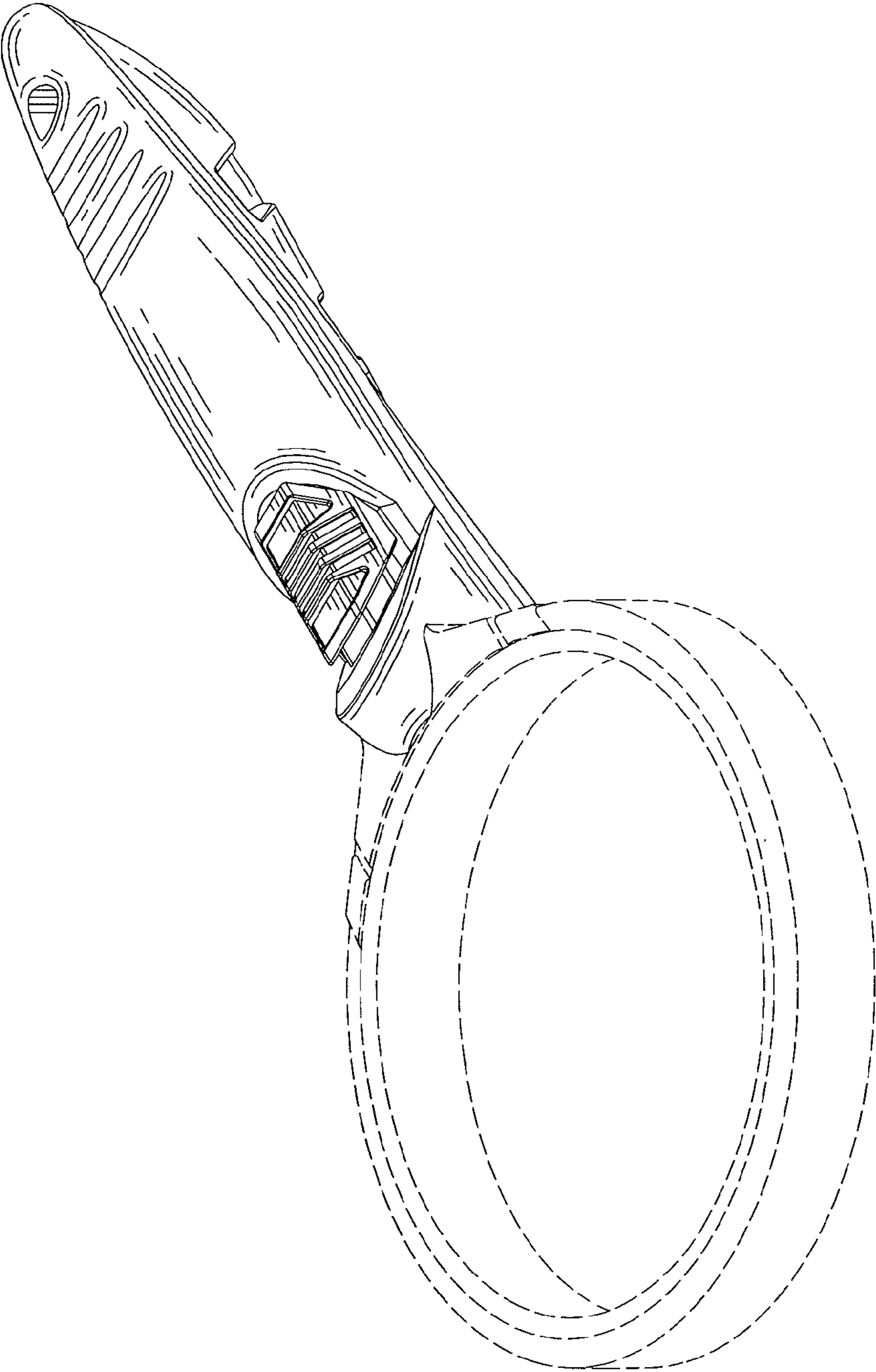


FIG.1

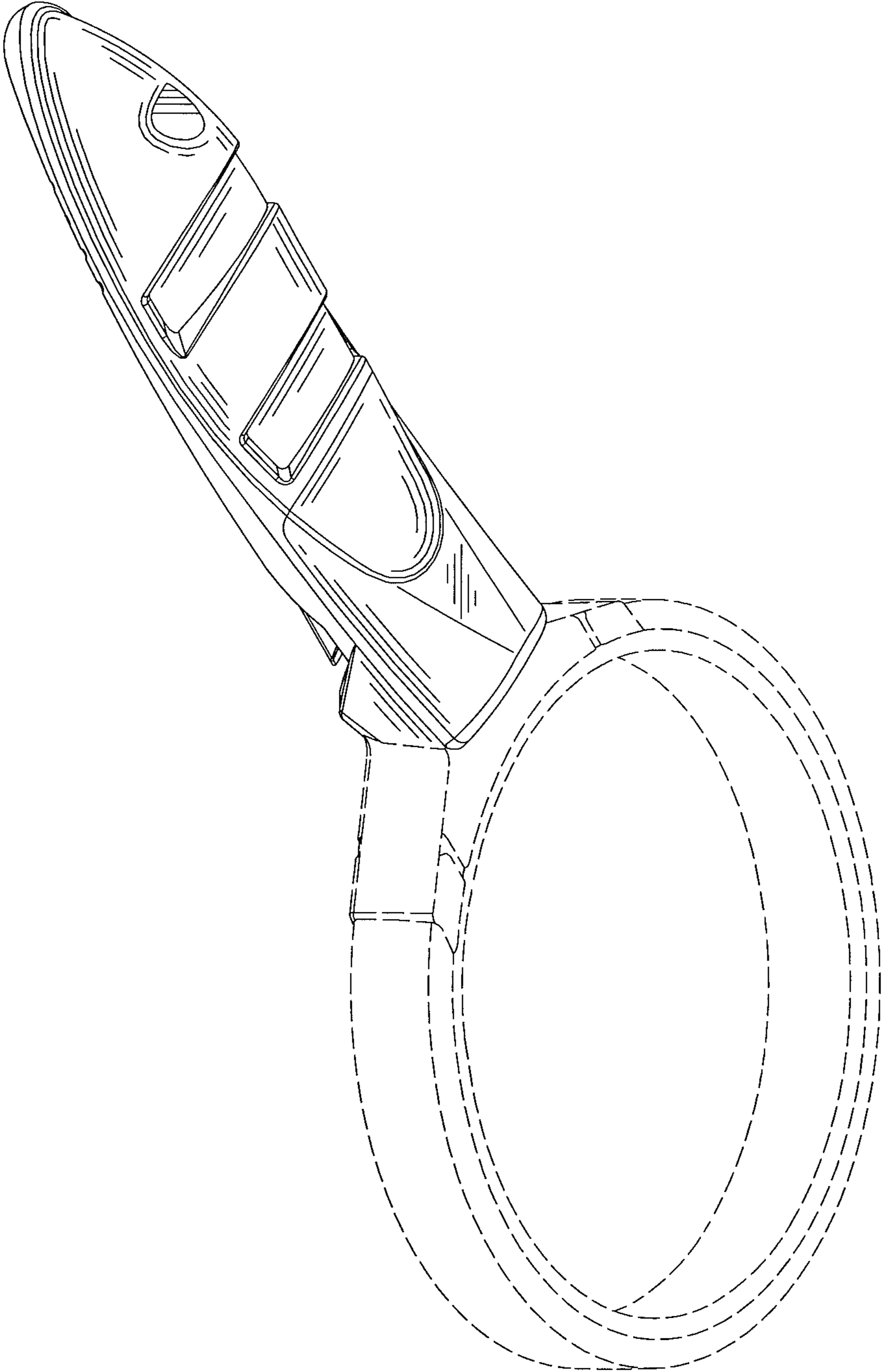


FIG. 2

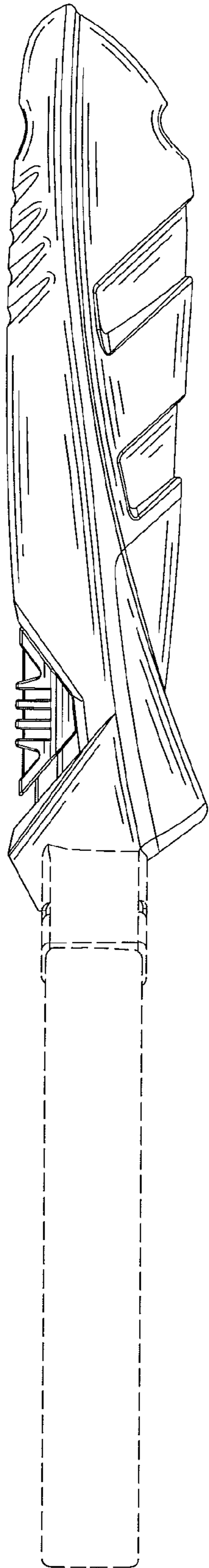


FIG. 3

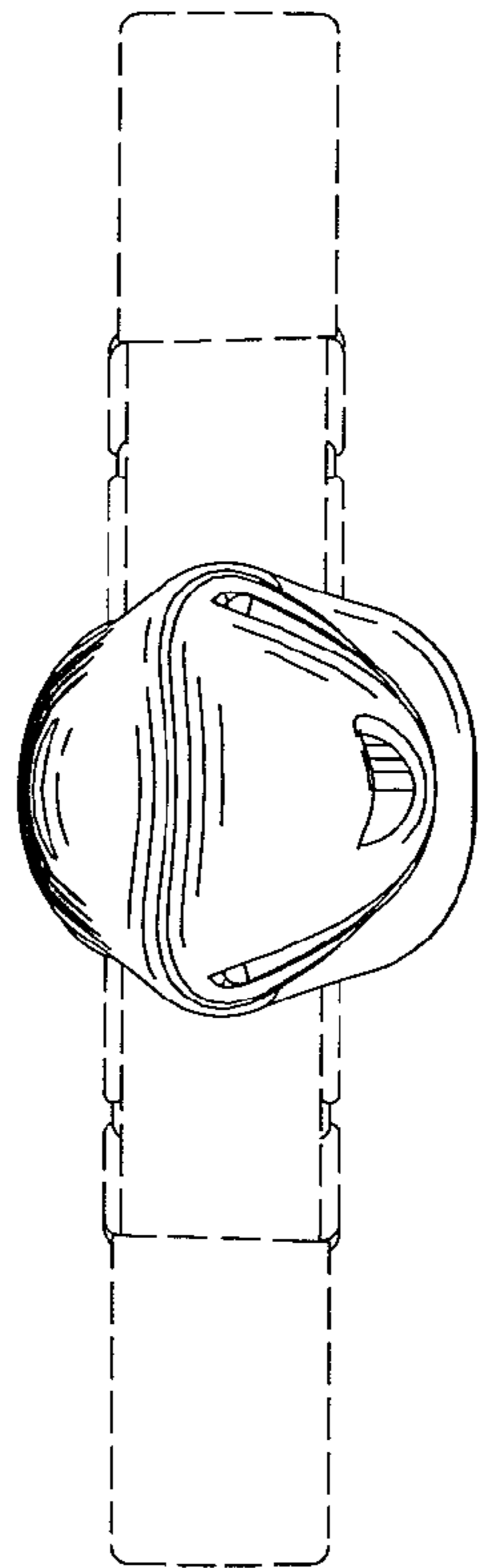


FIG. 5

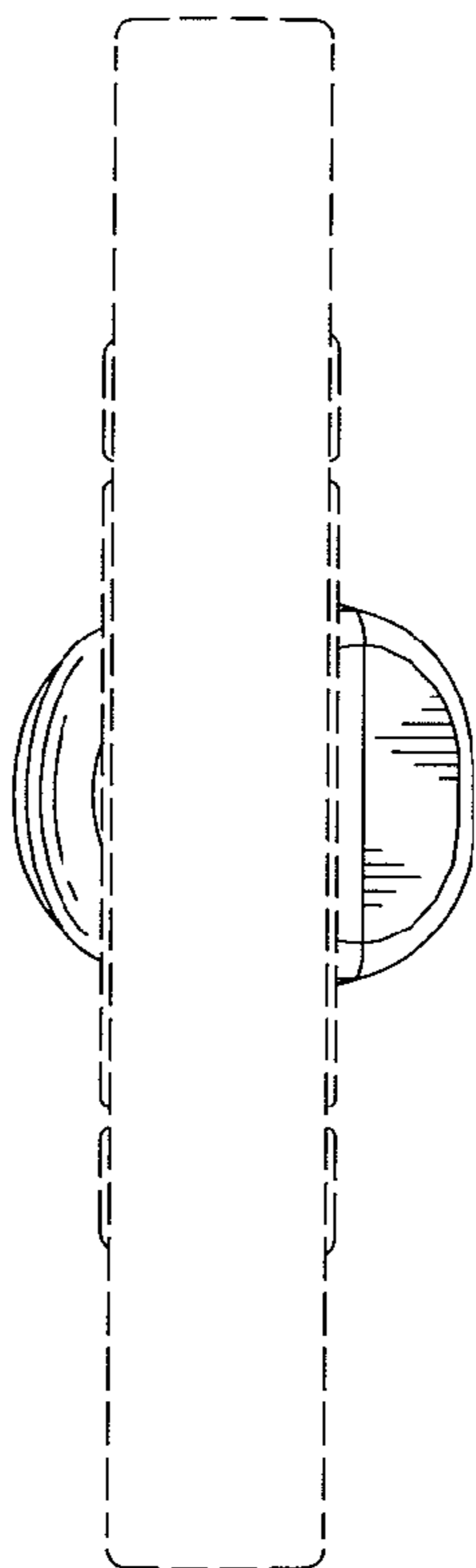


FIG. 4

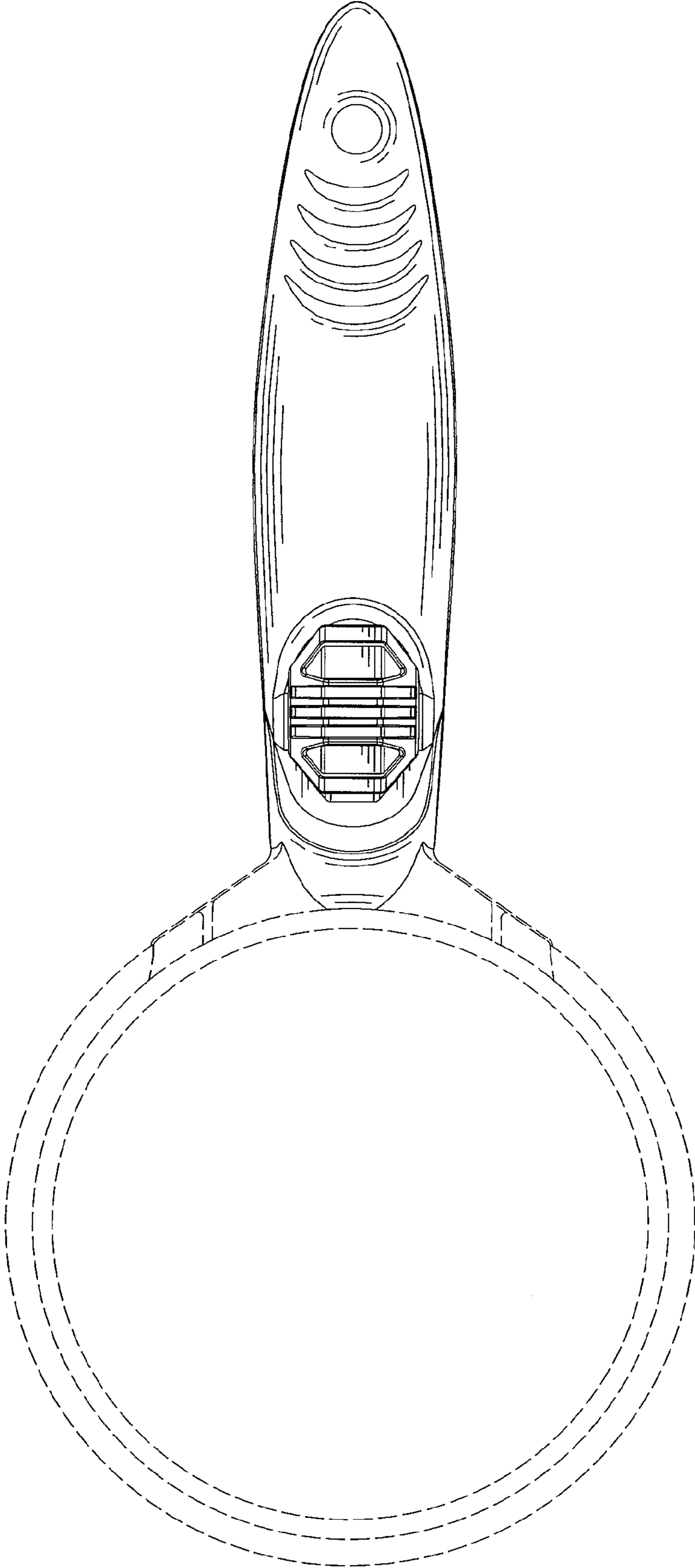


FIG. 6

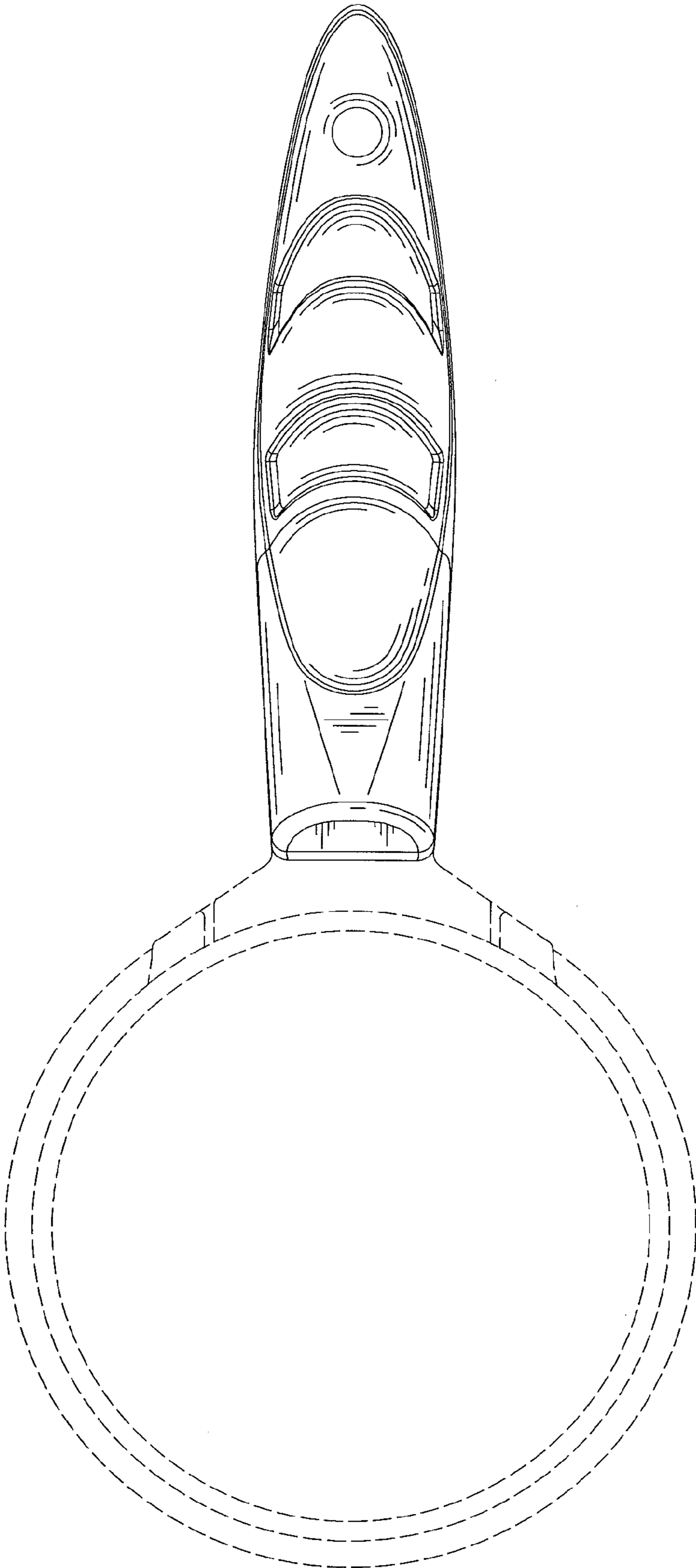


FIG. 7