



US00D705840S

(12) **United States Design Patent**  
**Iwabuchi**

(10) **Patent No.:** **US D705,840 S**

(45) **Date of Patent:** **\*\* May 27, 2014**

(54) **TELESCOPE**

(71) Applicant: **Nikon Vision Co., Ltd.**, Tokyo (JP)

(72) Inventor: **Masanobu Iwabuchi**, Yokohama (JP)

(73) Assignee: **Nikon Vision Co., Ltd.**, Tokyo (JP)

(\*\*) Term: **14 Years**

(21) Appl. No.: **29/440,717**

(22) Filed: **Dec. 26, 2012**

(51) **LOC (10) Cl.** ..... **16-06**

(52) **U.S. Cl.**

CPC ..... **G02B 23/16** (2013.01)

USPC ..... **D16/132**; D16/136

(58) **Field of Classification Search**

USPC ..... D16/130, 132, 136, 239, 237, 240, 200,  
D16/211, 219, 221, 229, 235, 245, 250, 330,  
D16/208, 212, 243, 249; 359/407-409,  
359/411-420, 422, 425, 429, 809, 816, 831,  
359/835, 827, 426, 427, 513; D21/324,  
D21/325; D29/108, 114, 121.1; D22/108,  
D22/109; 250/214 VT

See application file for complete search history.

(56) **References Cited**

**U.S. PATENT DOCUMENTS**

D165,231	S	*	11/1951	Kieffer, III et al.	.....	D16/132
3,044,075	A	*	7/1962	Rawlings	.....	2/22
D215,355	S	*	9/1969	Weatherby et al.	.....	D16/132
D234,370	S	*	2/1975	Oberheim	.....	D16/240
D272,916	S	*	3/1984	Tomatsuri et al.	.....	D16/132
4,605,024	A	*	8/1986	Tremblay	.....	132/320
D285,452	S	*	9/1986	Tabacchi	.....	D16/334
D296,227	S	*	6/1988	Novak	.....	D22/109
D300,039	S	*	2/1989	Huckenbeck	.....	D16/132
D347,441	S	*	5/1994	Lutter et al.	.....	D16/132
D406,597	S	*	3/1999	Kimura et al.	.....	D16/133
D412,338	S	*	7/1999	Goto et al.	.....	D16/239
D451,527	S	*	12/2001	Suzuki et al.	.....	D16/219

D469,457	S	*	1/2003	Nakaigawa	.....	D16/242
D482,709	S	*	11/2003	Meinzer	.....	D16/132
D487,761	S	*	3/2004	Hamamura	.....	D16/133
D488,181	S	*	4/2004	Masano et al.	.....	D16/239
D499,131	S	*	11/2004	Tanio	.....	D16/219
D532,906	S	*	11/2006	Kim et al.	.....	D24/152

(Continued)

*Primary Examiner* — Paula Greene

(74) *Attorney, Agent, or Firm* — Wolf, Greenfield & Sacks, P.C.; Randy J. Pritzker

(57) **CLAIM**

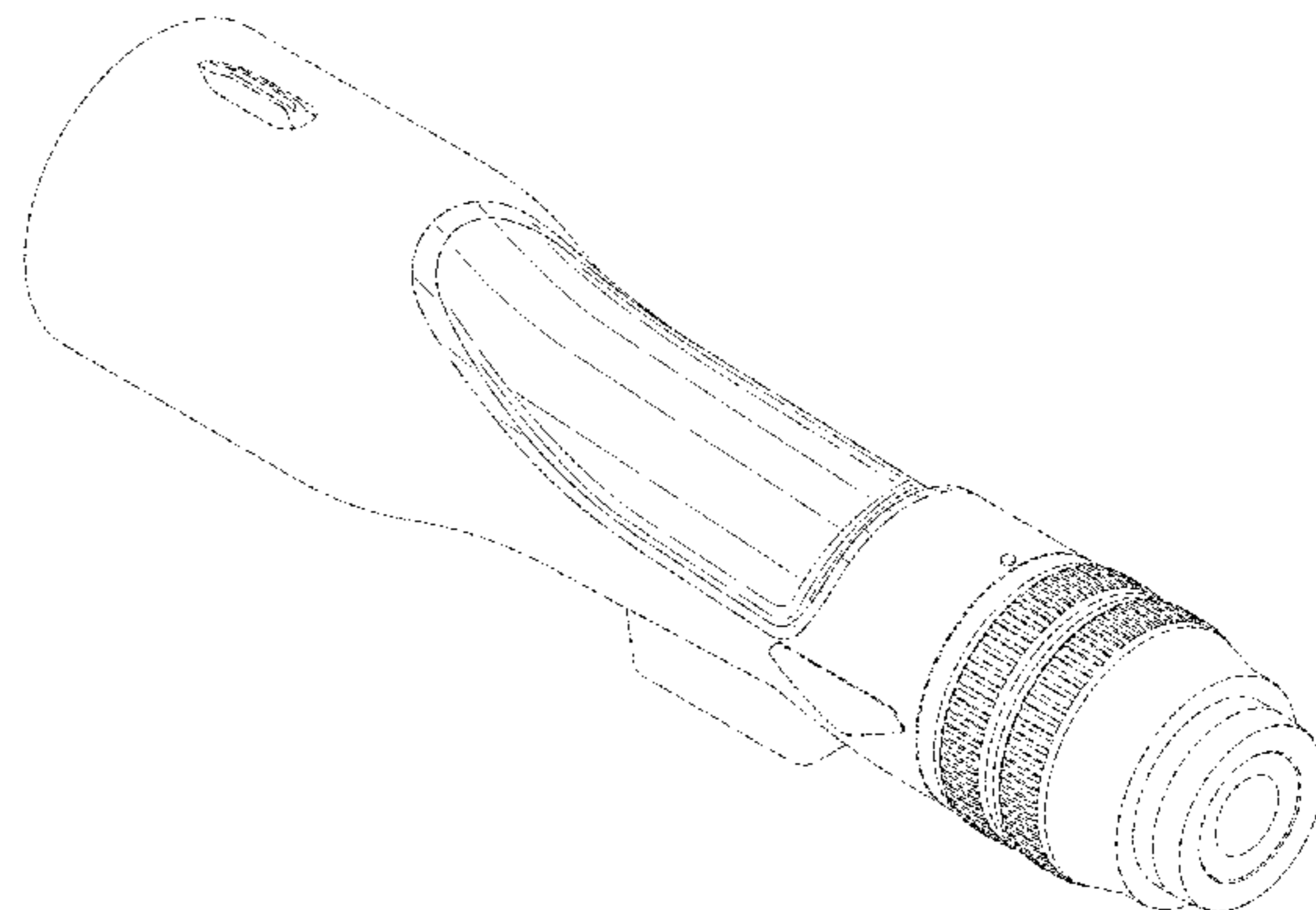
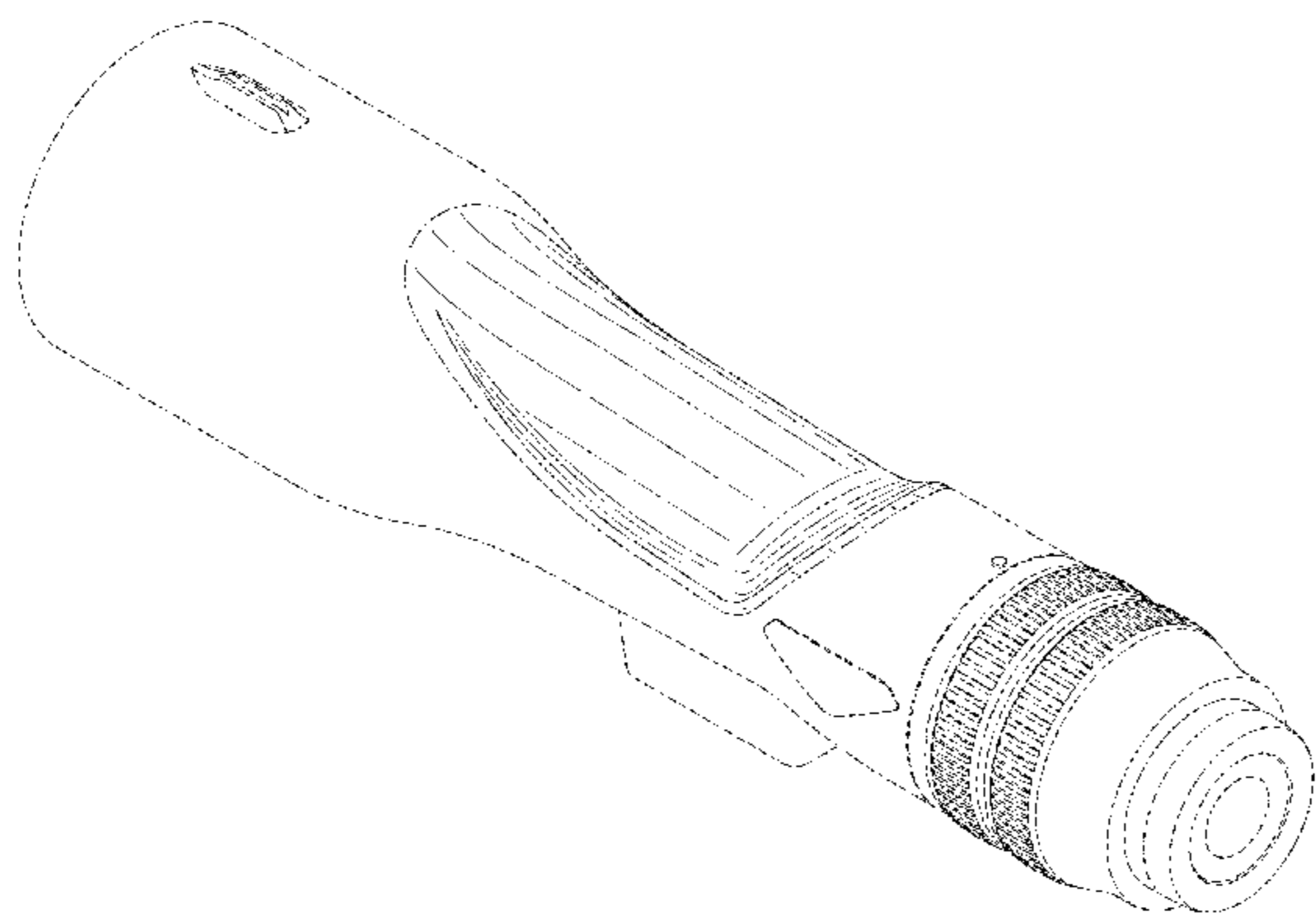
The ornamental design for a telescope, as shown and described.

**DESCRIPTION**

FIG. 1 is a front, top, and right side perspective view of a first embodiment of a telescope showing my new design; FIG. 2 is a rear, top, and left side perspective view thereof; FIG. 3 is a front view thereof; FIG. 4 is a rear view thereof; FIG. 5 is a top plan view thereof; FIG. 6 is a bottom plan view thereof; FIG. 7 is an enlarged right side view thereof; FIG. 8 is an enlarged left side view thereof; FIG. 9 is a front, top, and right side perspective view of a second embodiment of a telescope showing my new design; FIG. 10 is a rear, top, and left side perspective view thereof; FIG. 11 is a front view thereof; FIG. 12 is a rear view thereof; FIG. 13 is a top plan view thereof; FIG. 14 is a bottom plan view thereof; FIG. 15 is an enlarged right side view thereof; and, FIG. 16 is an enlarged left side view thereof.

The features shown in broken lines in the drawings depict environmental subject matter only and form no part of the claimed design. The dash-dotted lines denote the boundary of the claim and form no part of the claimed design.

**1 Claim, 16 Drawing Sheets**



(56)

**References Cited**

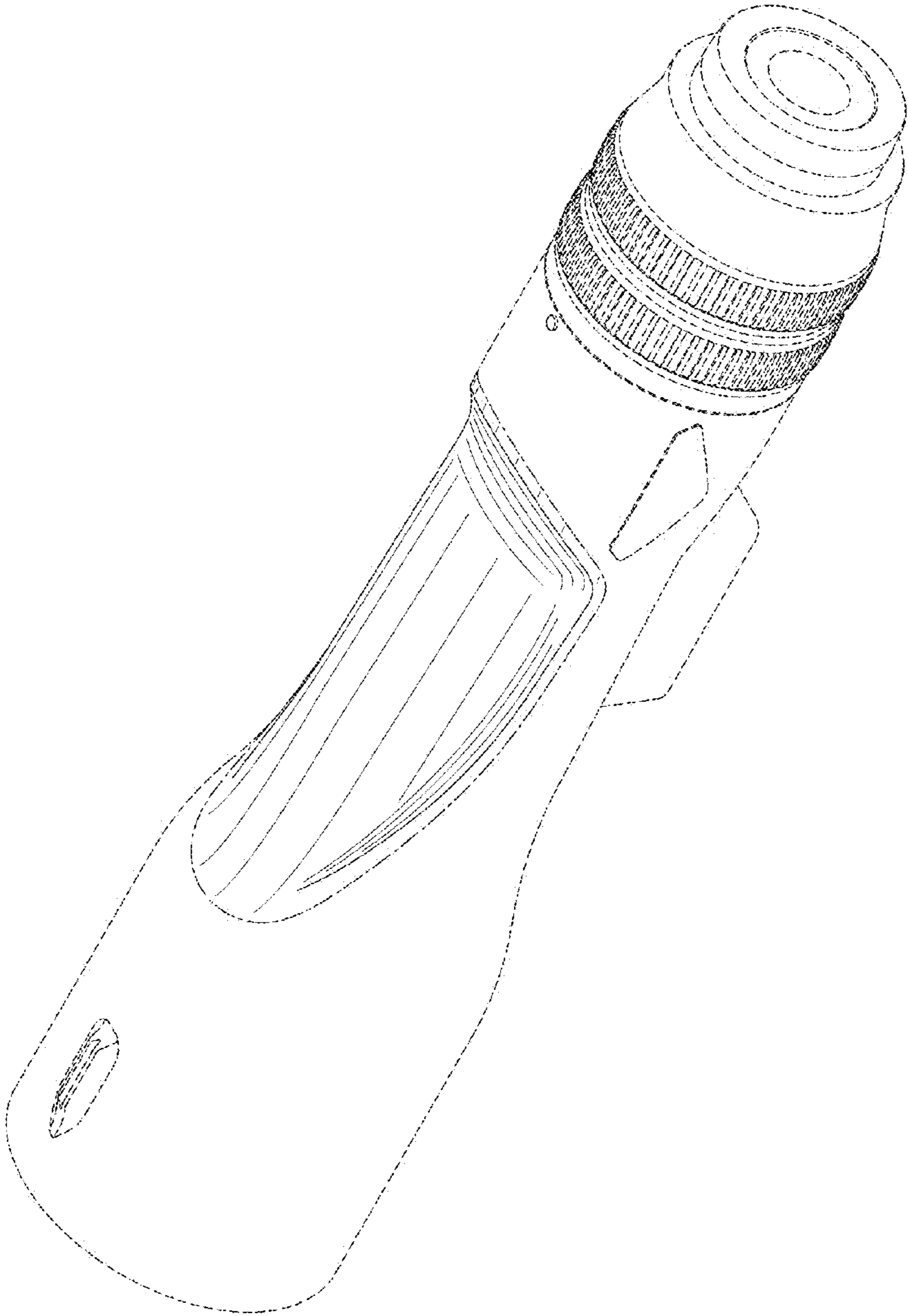
U.S. PATENT DOCUMENTS

D534,193 S \* 12/2006 Ono ..... D16/132  
D544,515 S \* 6/2007 Walter et al. .... D16/203  
D553,618 S \* 10/2007 Cheng ..... D14/480.3  
7,420,153 B2 \* 9/2008 Palmer et al. .... 250/214 VT

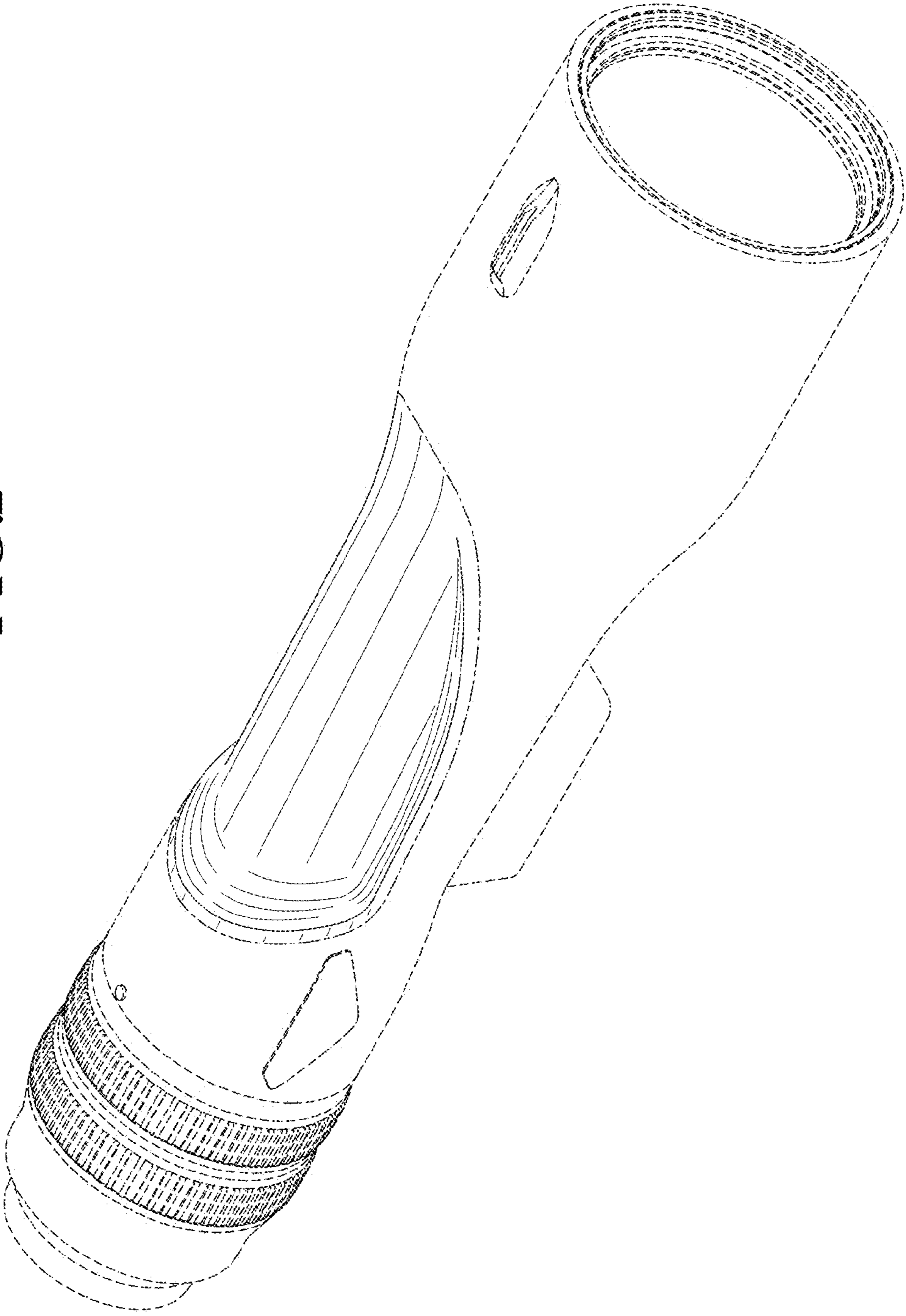
D606,572 S \* 12/2009 Samson et al. .... D16/203  
D648,487 S \* 11/2011 Demaree ..... D28/56  
D672,802 S \* 12/2012 Nojima et al. .... D16/219  
D675,239 S \* 1/2013 Wunnicke et al. .... D16/132  
D676,885 S \* 2/2013 Iwabuchi ..... D16/132  
D677,301 S \* 3/2013 Nojima et al. .... D16/219

\* cited by examiner

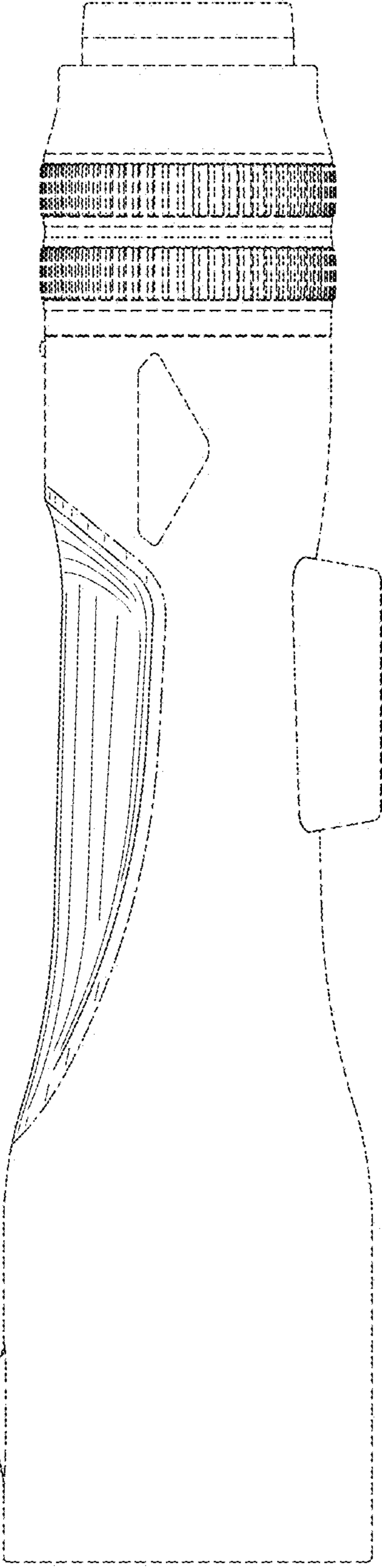
**FIG. 1**



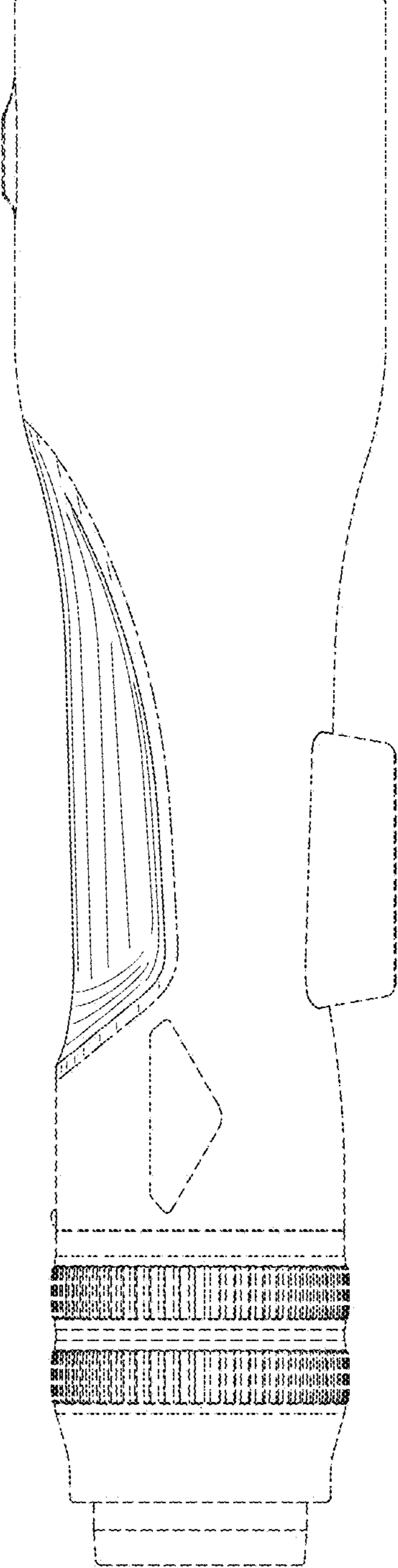
**FIG.2**



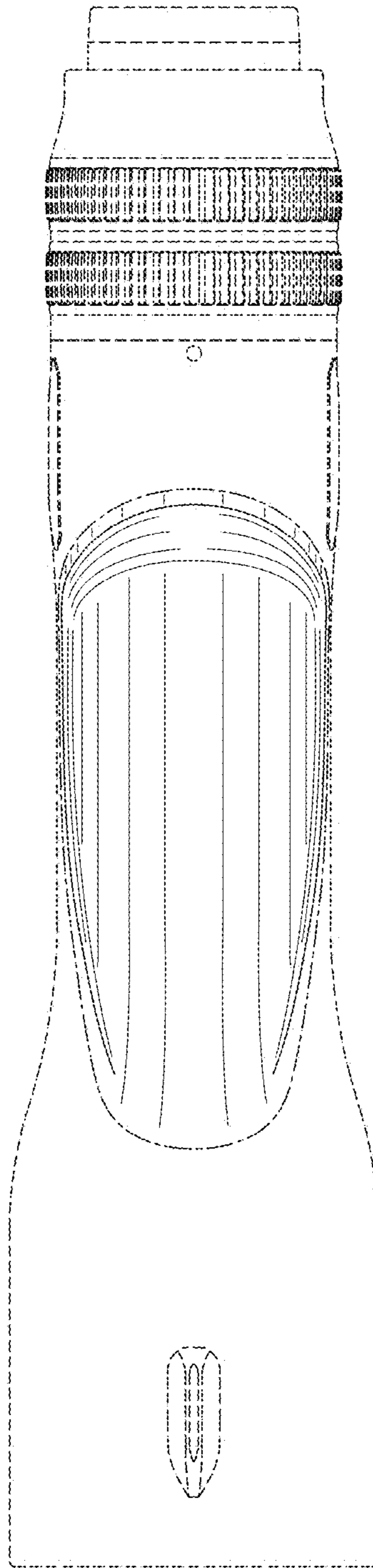
**FIG.3**



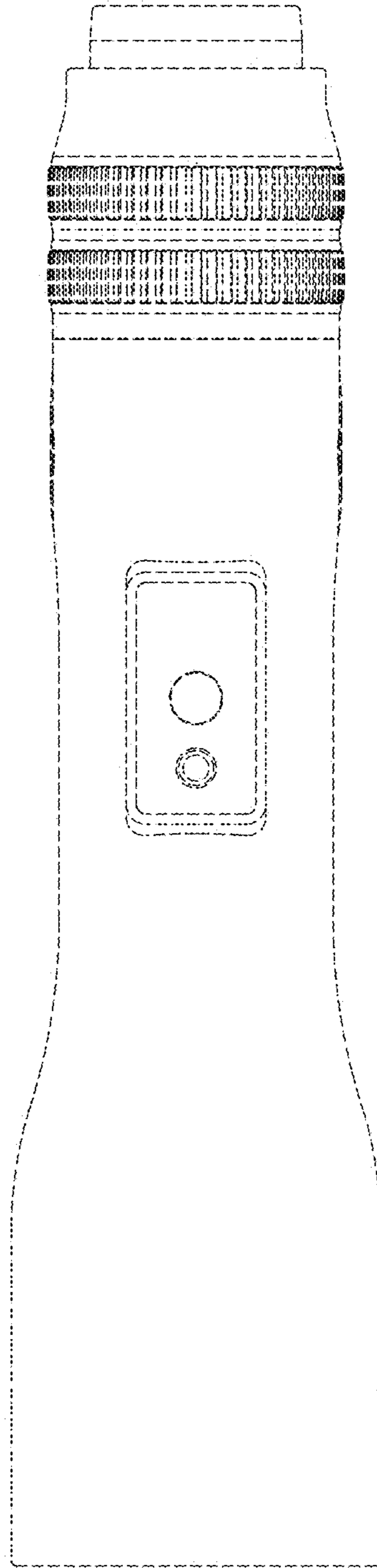
**FIG. 4**



**FIG. 5**

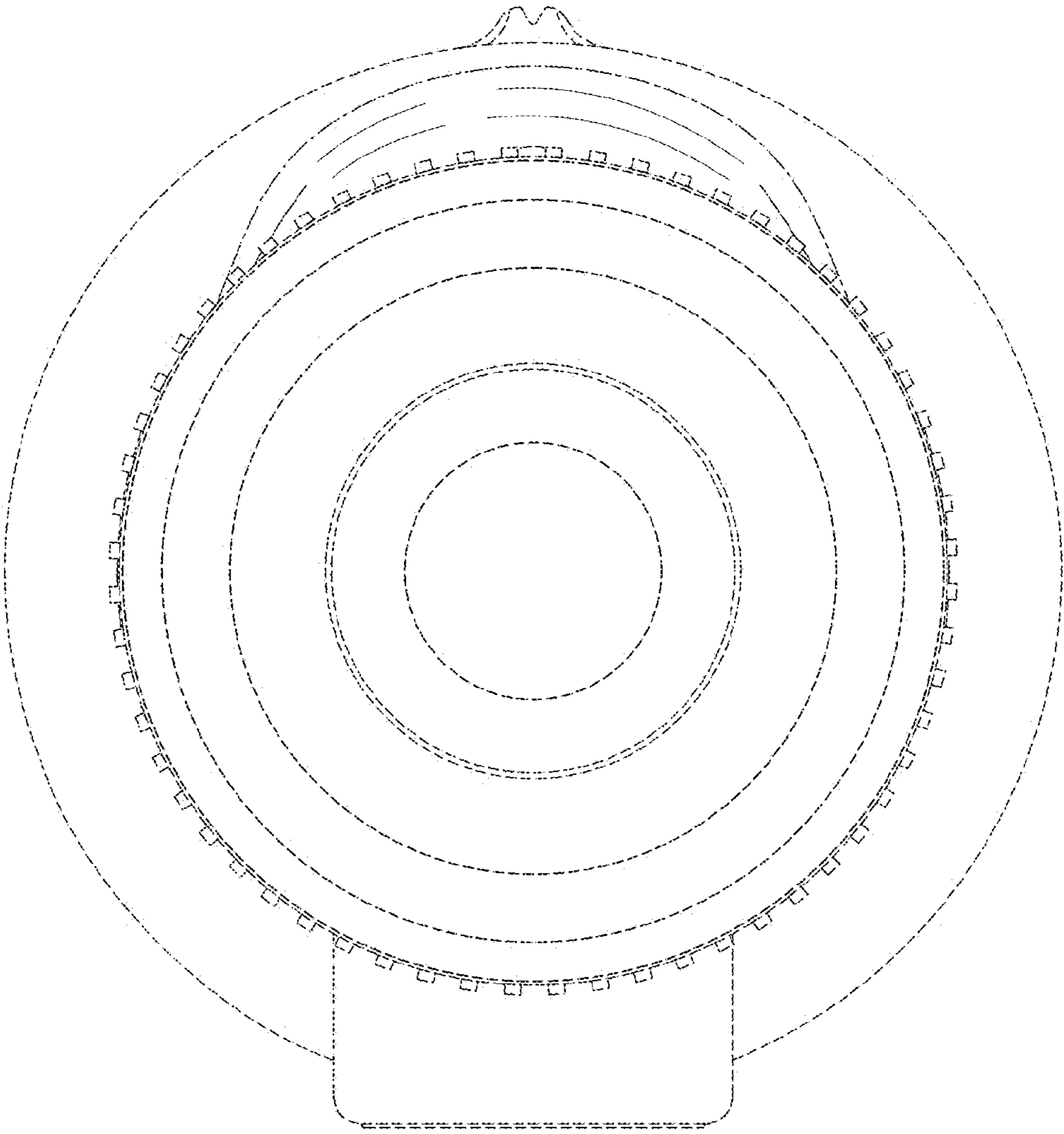


**FIG. 6**

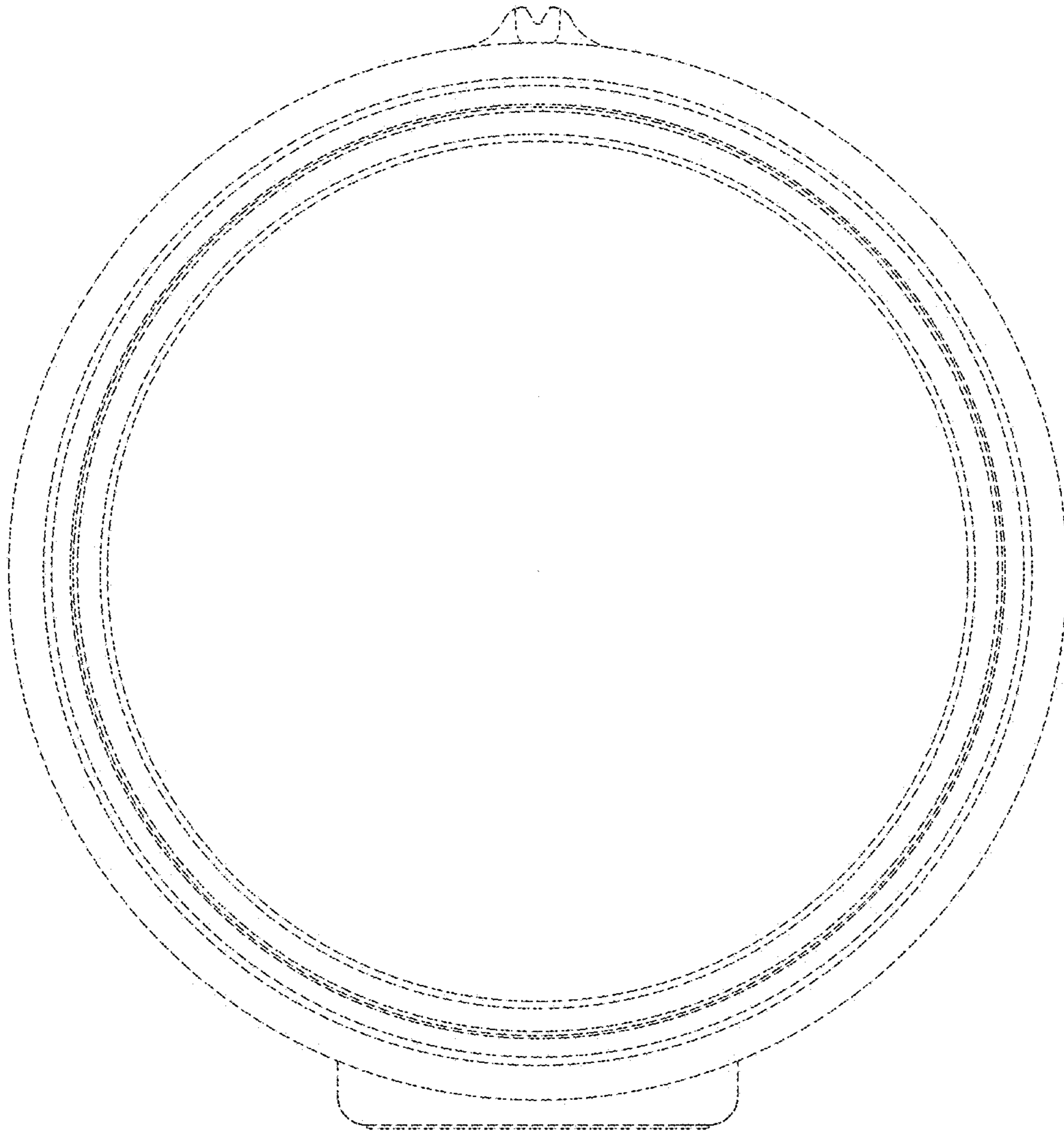




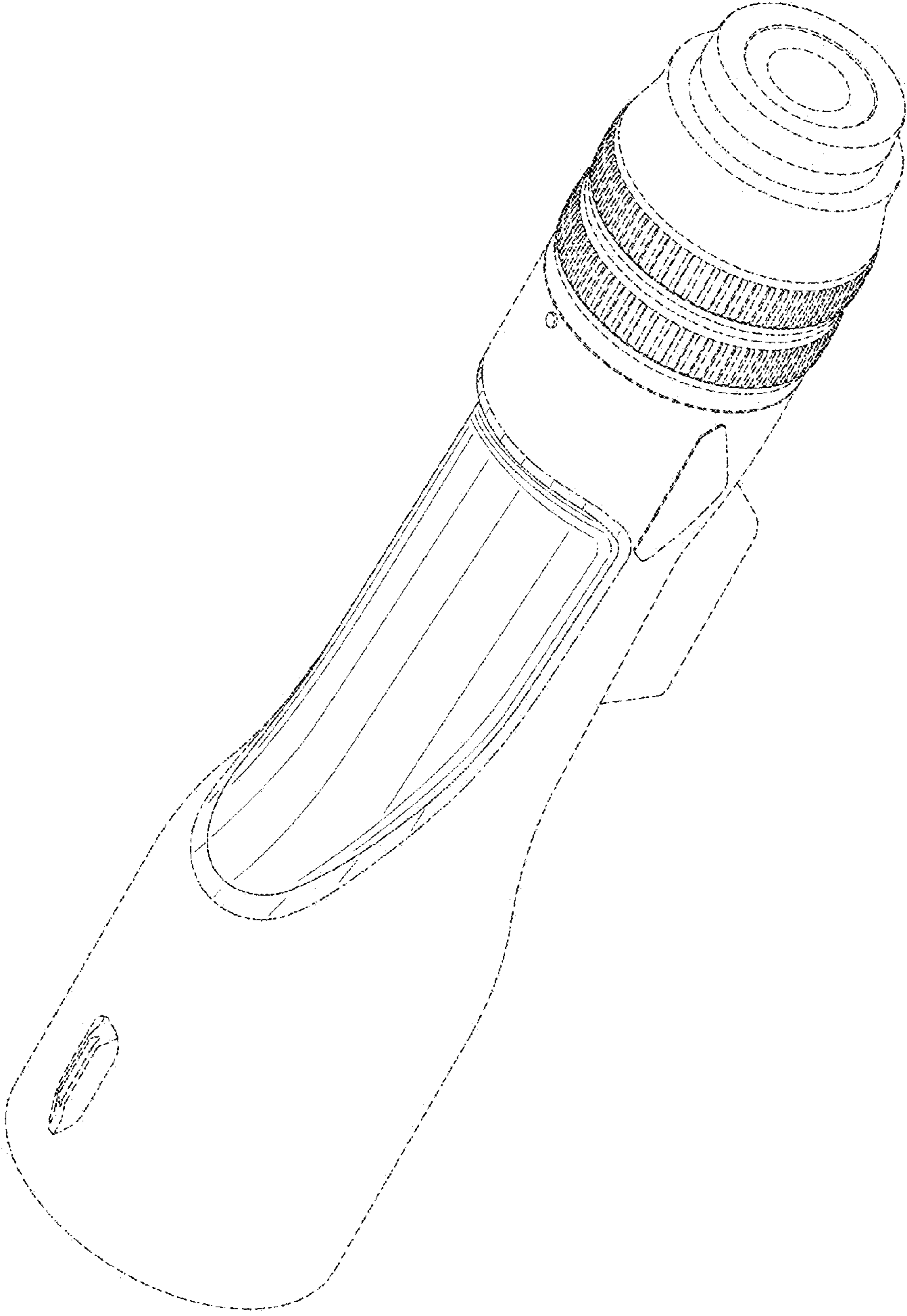
**FIG. 7**



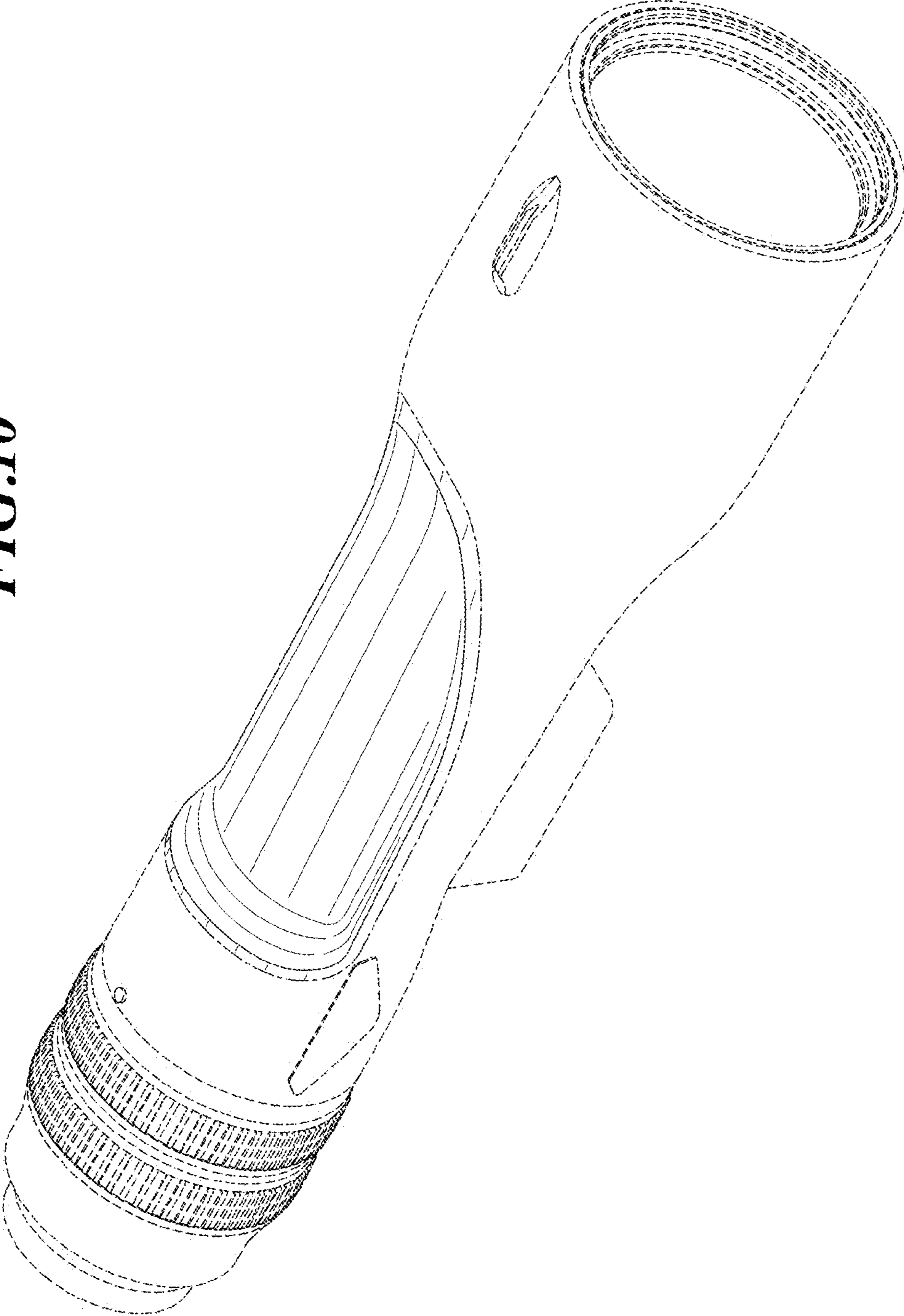
**FIG.8**



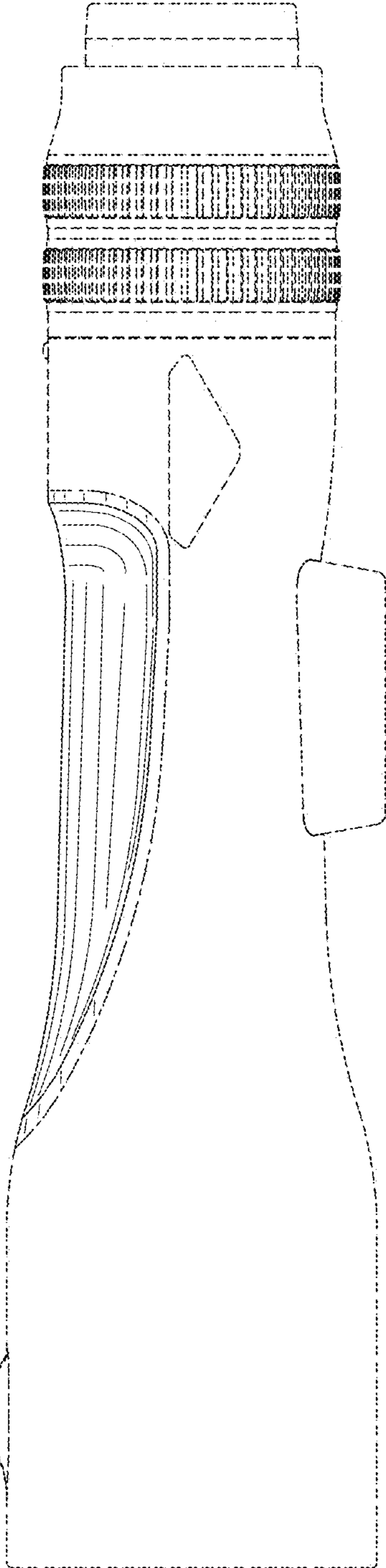
**FIG. 9**



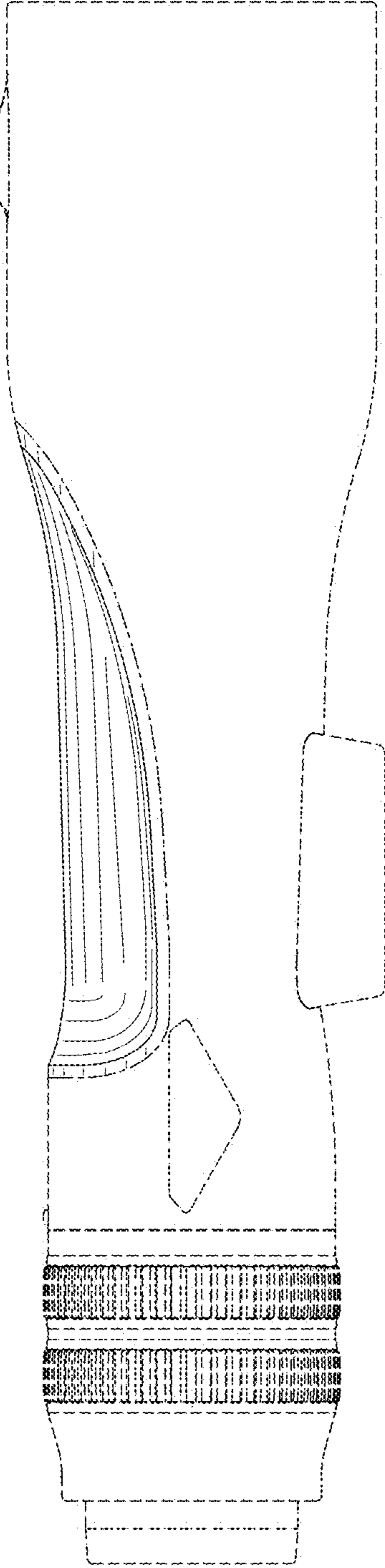
**FIG.10**



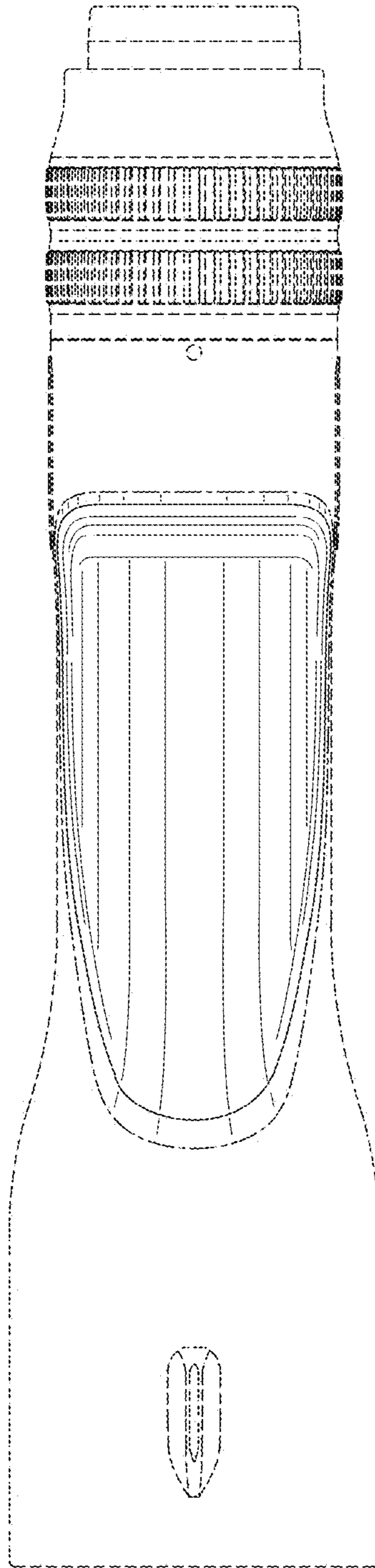
**FIG. 11**



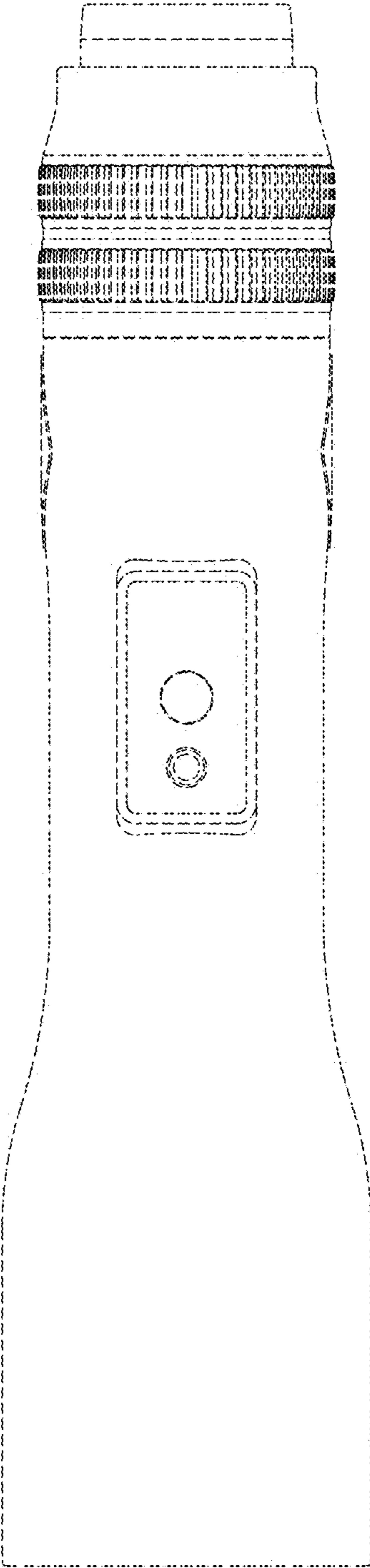
**FIG.12**



**FIG.13**

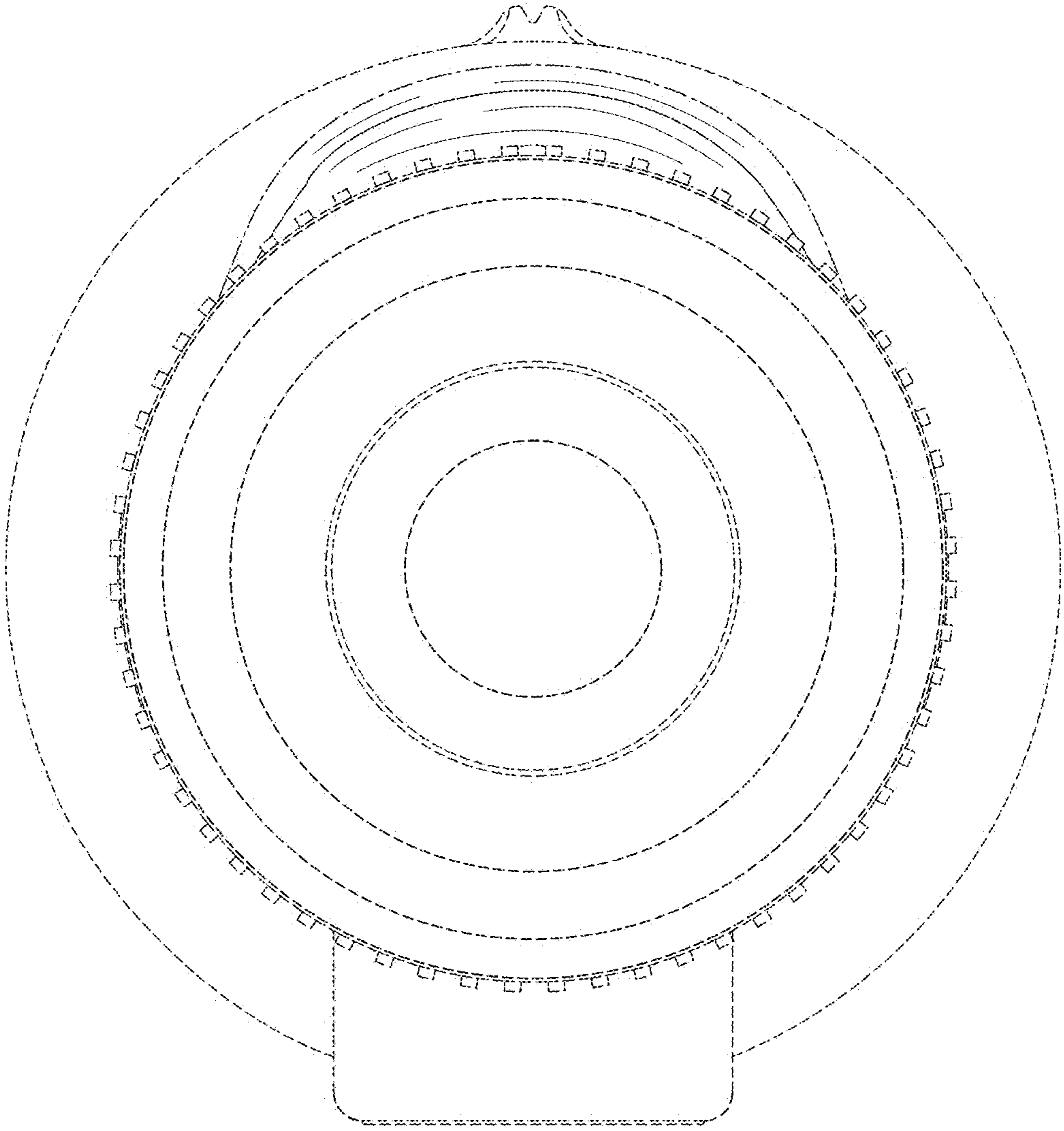


**FIG.14**





**FIG.15**



***FIG.16***

