



US00D705839S

(12) **United States Design Patent**
Apothéloz

(10) **Patent No.:** **US D705,839 S**

(45) **Date of Patent:** **** May 27, 2014**

- (54) **DIGITAL MACROSCOPE**
- (71) Applicant: **Leica Microsystems (Schweiz) AG,**
Heerbrugg (CH)
- (72) Inventor: **Christophe Apothéloz,** Zurich (CH)
- (73) Assignee: **Leica Microsystems (Schweiz) AG,**
Heerbrugg (CH)
- (**) Term: **14 Years**
- (21) Appl. No.: **29/453,721**
- (22) Filed: **May 2, 2013**
- (30) **Foreign Application Priority Data**

Nov. 14, 2012 (DE) 40 2012 005 118

- (51) **LOC (10) Cl.** **16-06**
- (52) **U.S. Cl.**
CPC **G02B 21/00** (2013.01)
USPC **D16/131**

- (58) **Field of Classification Search**
CPC G02B 21/00
USPC D16/131, 130, 134, 136; 396/432;
359/383, 384, 385, 381, 390
See application file for complete search history.

(56) **References Cited**

U.S. PATENT DOCUMENTS

1,625,952	A *	4/1927	Lucas	396/432
D138,942	S *	9/1944	Fuchs	D10/74
D181,896	S *	1/1958	Boughton	D16/131
D182,098	S *	2/1958	Armbruster	D16/131
D184,487	S *	2/1959	Maier	D16/131
D198,142	S *	5/1964	Armbruster	D16/131

D294,036	S *	2/1988	Yamada	D16/131
4,856,872	A *	8/1989	Spitznas et al.	359/826
D355,430	S *	2/1995	Hofmann-Igl	D16/131
5,841,576	A *	11/1998	Aikawa	359/383
D482,708	S *	11/2003	Matuschek	D16/131
6,785,045	B2 *	8/2004	Utsugi	359/383
D502,194	S *	2/2005	Suzuki et al.	D16/131
6,943,942	B2 *	9/2005	Horiguchi et al.	359/381
D517,581	S *	3/2006	Apotheloz et al.	D16/131
7,180,689	B2 *	2/2007	Shinada	359/826
7,505,199	B2 *	3/2009	Ito	359/368
D601,178	S *	9/2009	Apotheloz	D16/131
D611,972	S *	3/2010	Apotheloz	D16/131
D643,866	S *	8/2011	Apotheloz	D16/131
D646,704	S *	10/2011	Funakoshi	D16/131
8,073,323	B2 *	12/2011	Doi et al.	396/432
8,331,020	B2 *	12/2012	Soppelsa et al.	359/390
D674,424	S *	1/2013	Apotheloz	D16/131
2005/0088731	A1 *	4/2005	Shinada	359/374

* cited by examiner

Primary Examiner — Paula Greene

(74) *Attorney, Agent, or Firm* — Crowell & Moring LLP

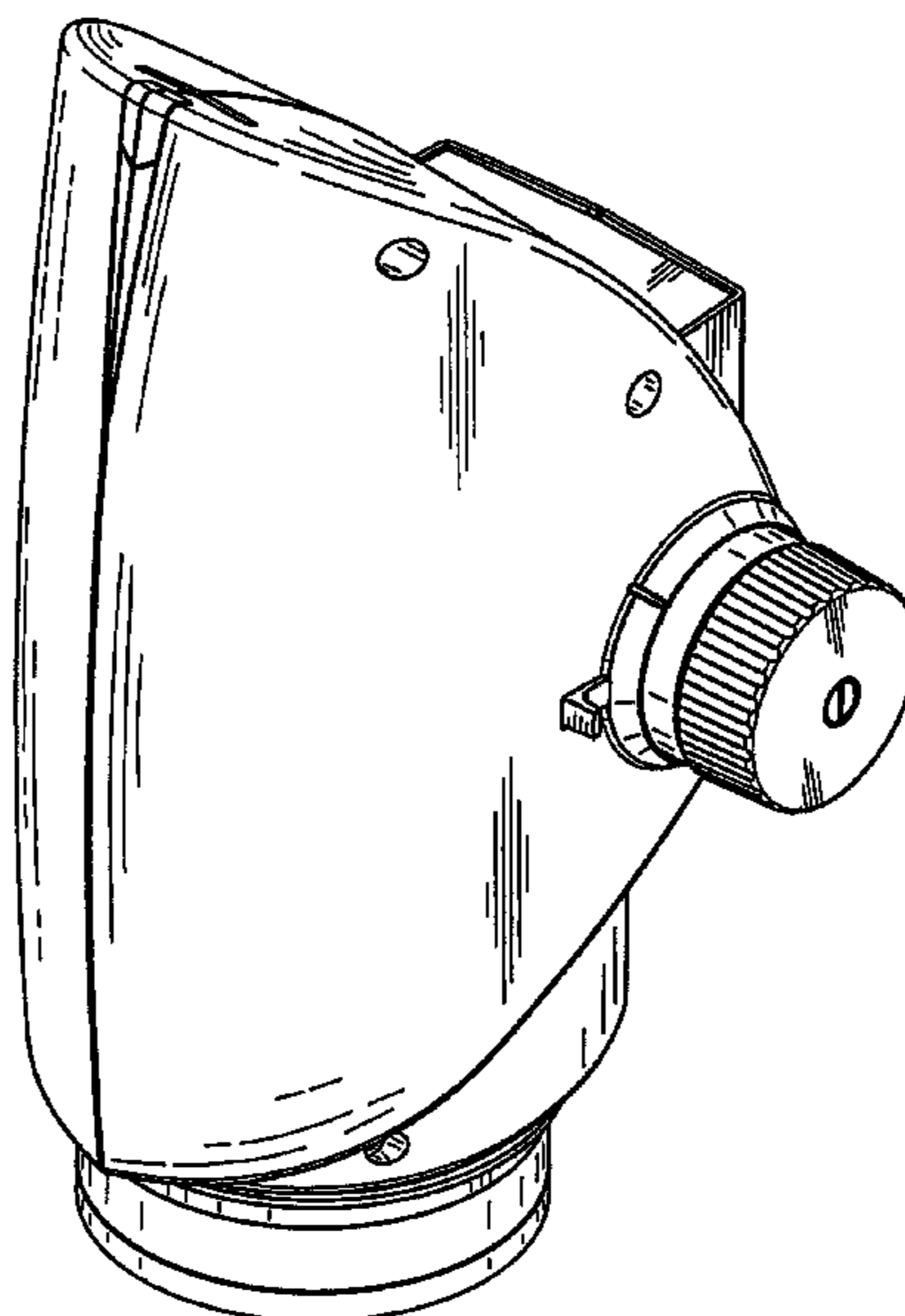
(57) **CLAIM**

The ornamental design for a digital microscope, as shown and described.

DESCRIPTION

FIG. 1 is a top, right, side perspective view of a digital microscope according to the design;
 FIG. 2 is a front view thereof;
 FIG. 3 is a rear view thereof;
 FIG. 4 is a left side view thereof;
 FIG. 5 is a right side view thereof;
 FIG. 6 is a top view thereof; and,
 FIG. 7 is a bottom view thereof.

1 Claim, 7 Drawing Sheets



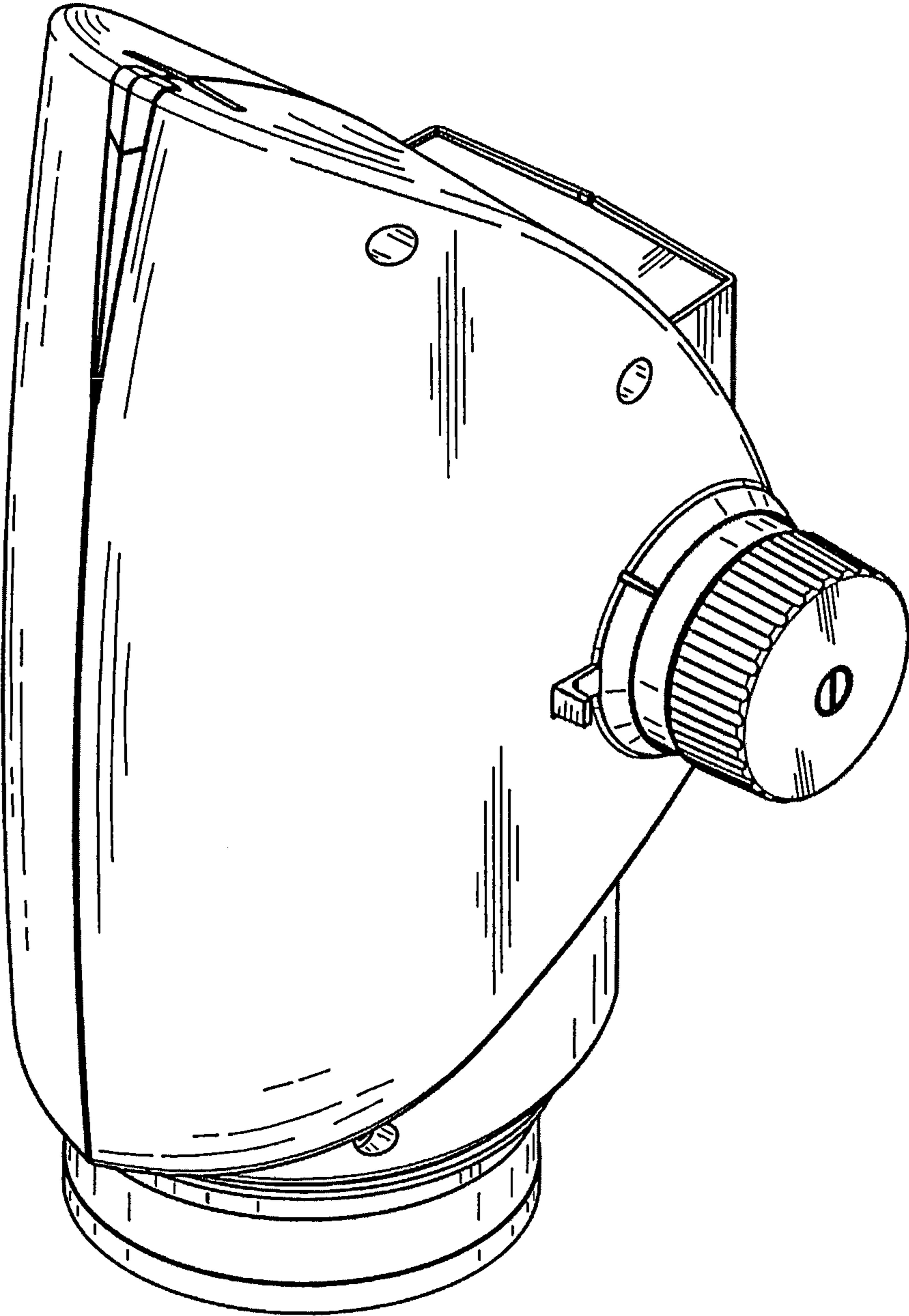


FIG. 1

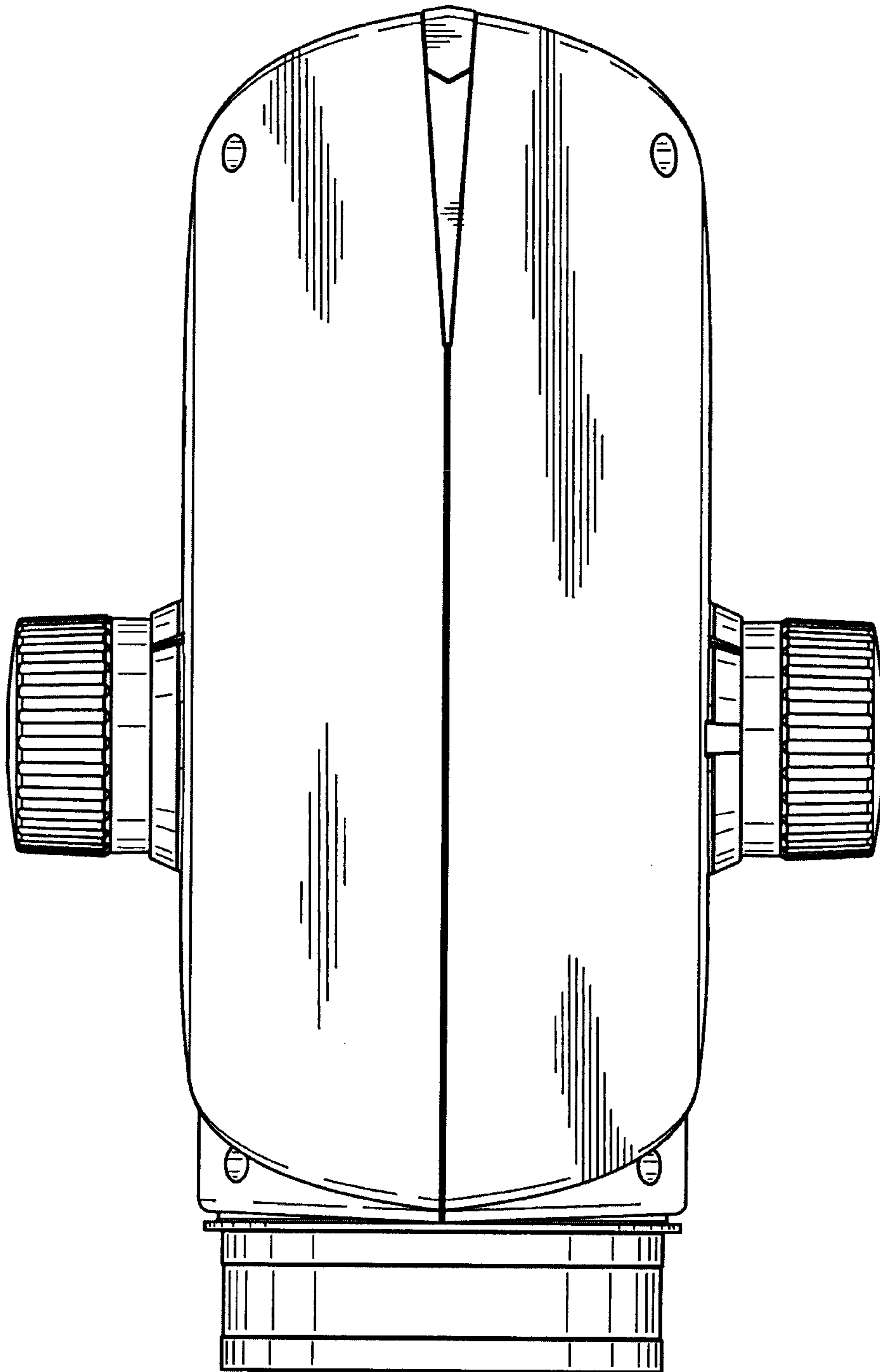


FIG. 2

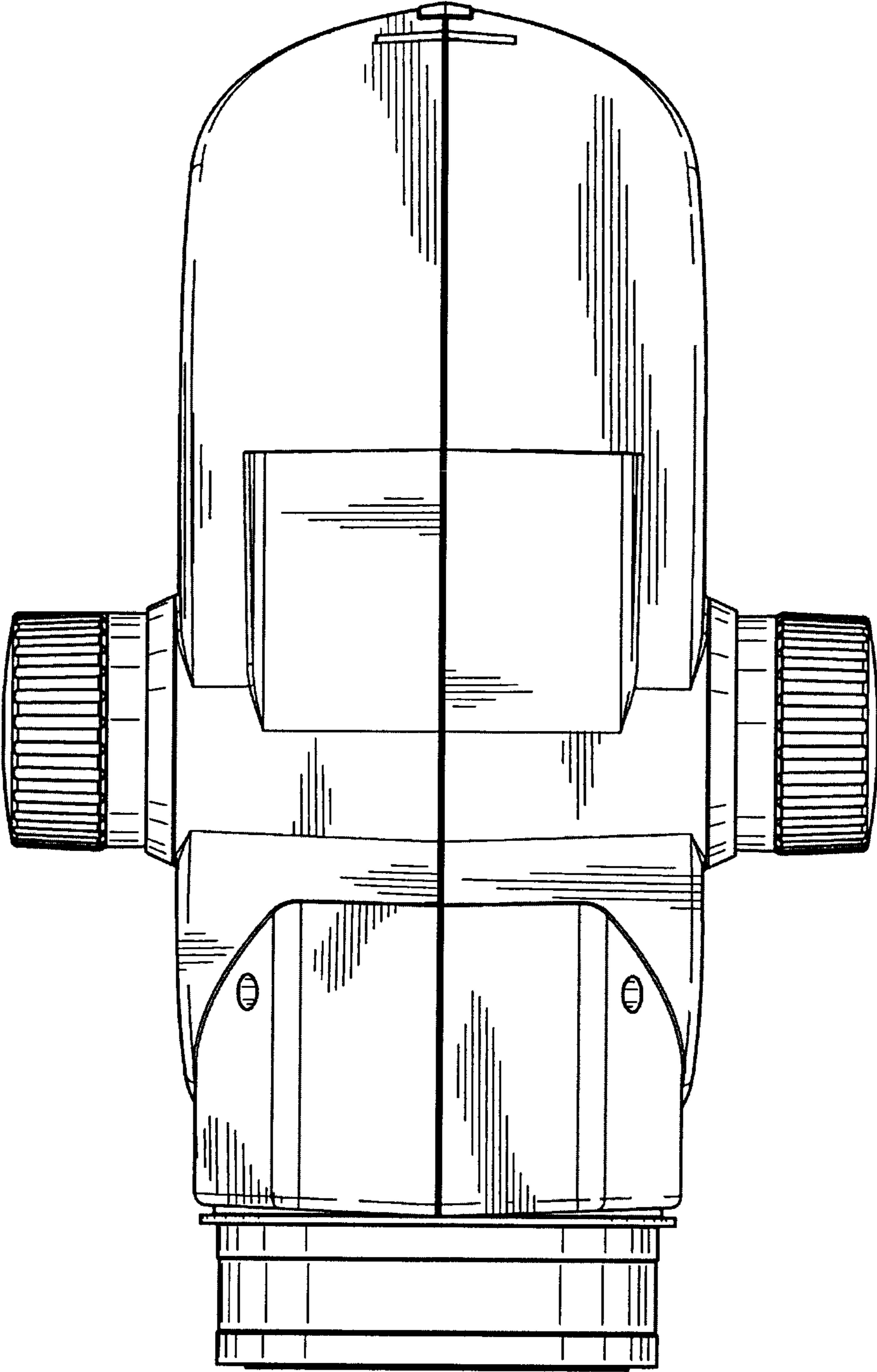


FIG. 3

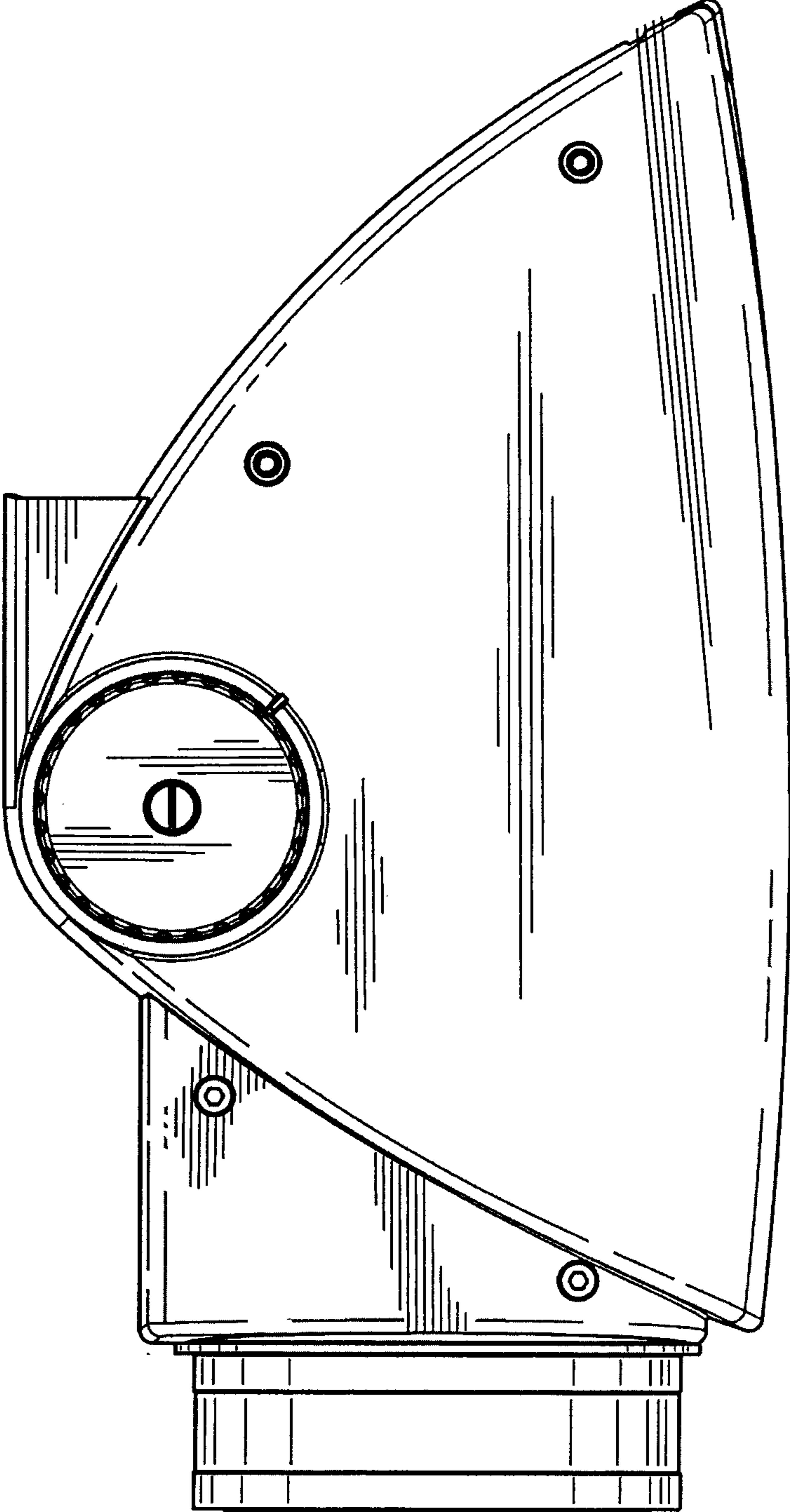


FIG. 4

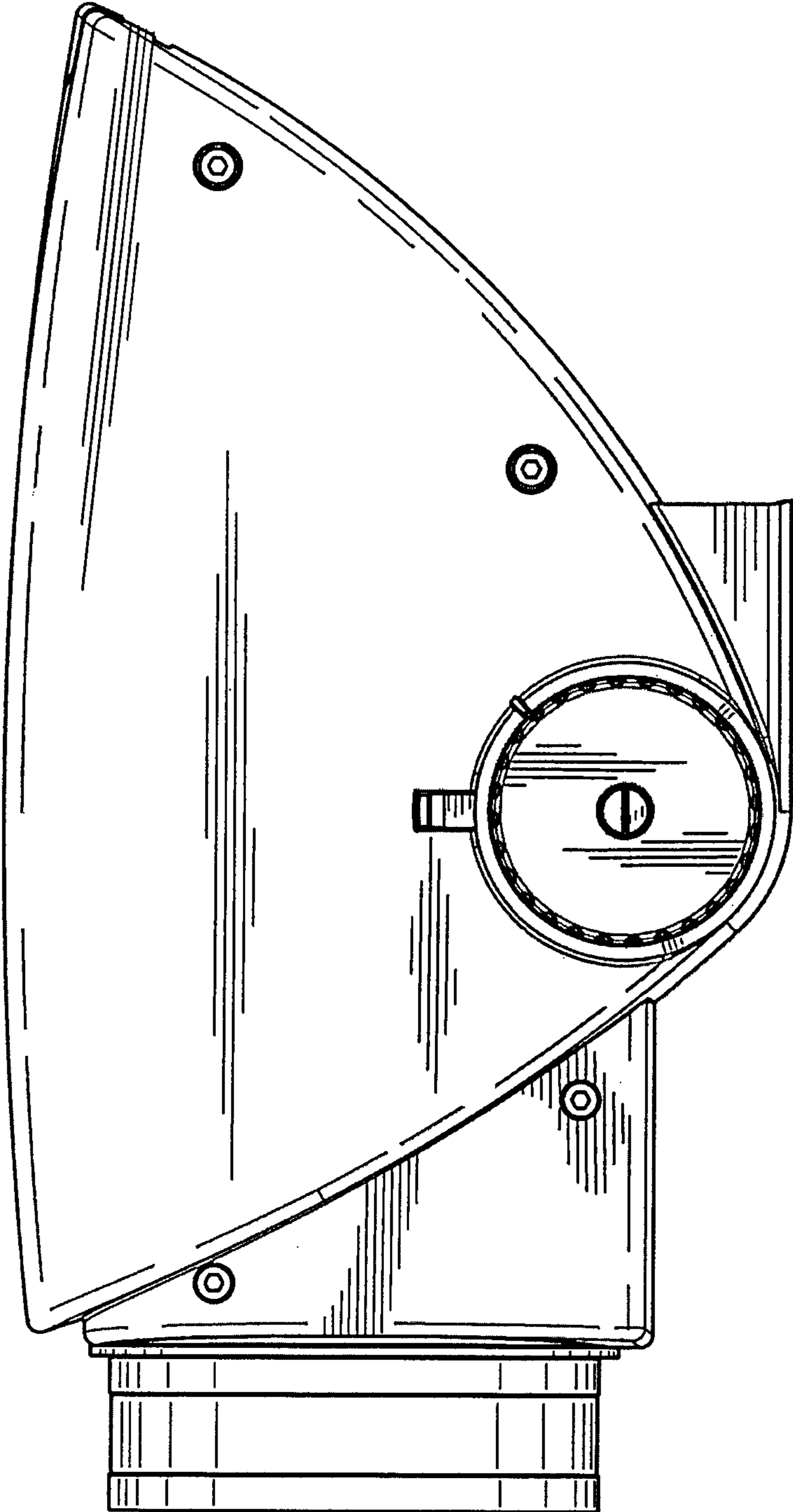


FIG. 5

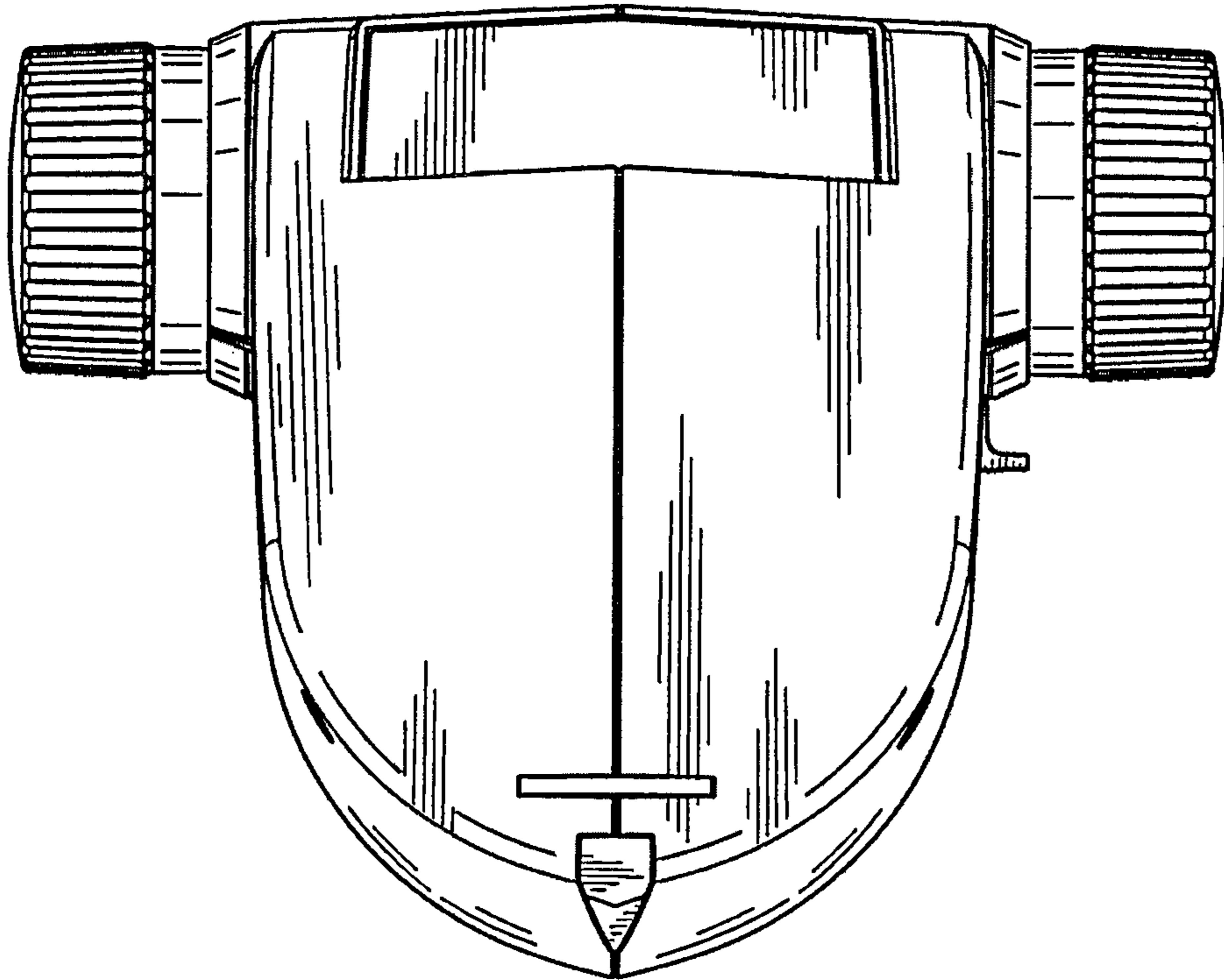


FIG. 6

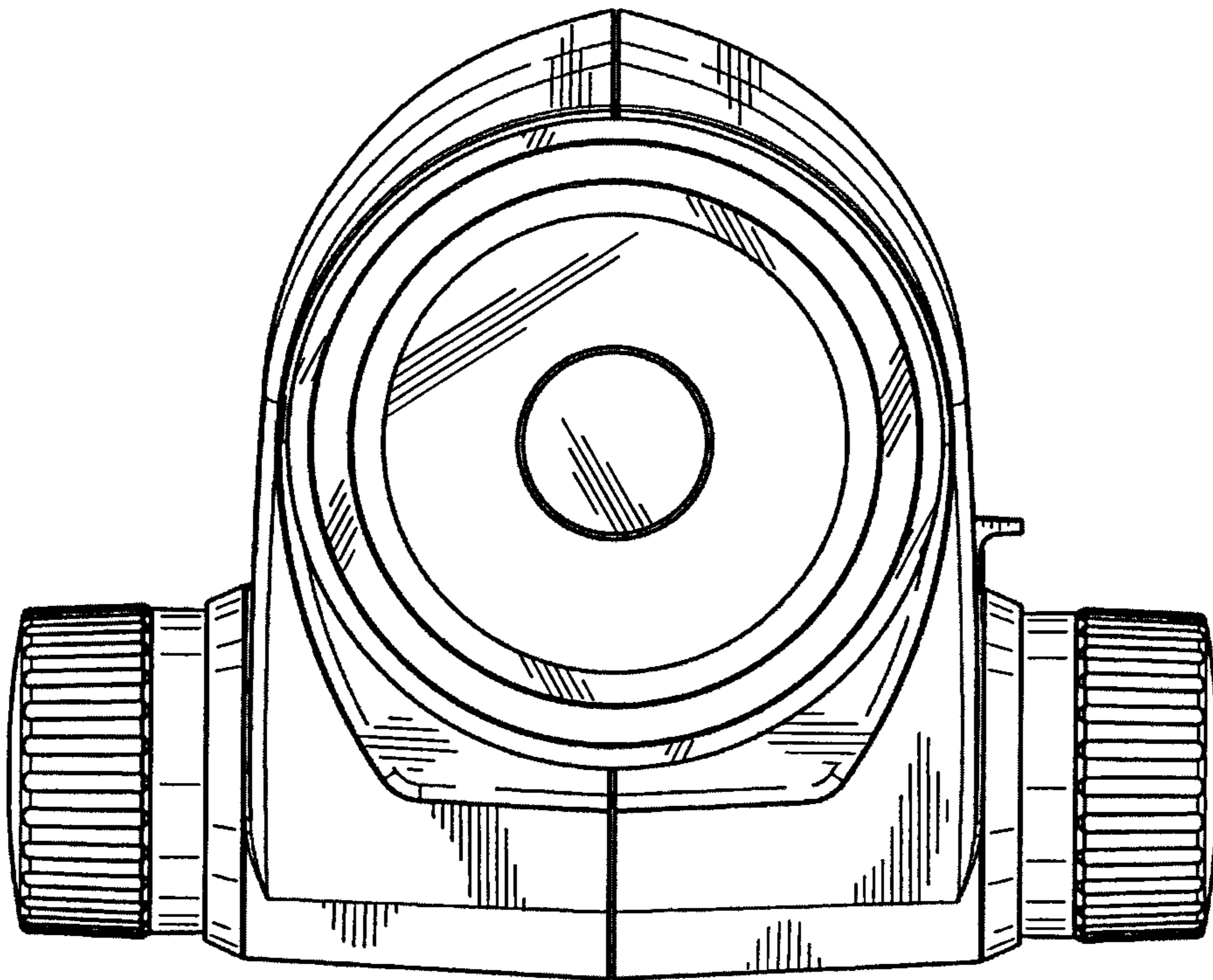


FIG. 7