



US00D705830S

(12) **United States Design Patent**
Hashimoto et al.

(10) **Patent No.:** **US D705,830 S**
(45) **Date of Patent:** **** May 27, 2014**

(54) **VIBRATION ACTUATOR**

(56) **References Cited**

(71) Applicant: **Namiki Seimitsu Houseki Kabushiki Kaisha**, Tokyo (JP)
(72) Inventors: **Yuichi Hashimoto**, Tokyo (JP); **Kiyoshi Oohashi**, Tokyo (JP); **Yosuke Hashimoto**, Tokyo (JP)
(73) Assignee: **Namiki Seimitsu Houseki Kabushiki Kaisha**, Tokyo (JP)
(**) Term: **14 Years**

U.S. PATENT DOCUMENTS

6,051,912	A *	4/2000	Gonda	310/323.02
6,072,266	A *	6/2000	Tomikawa	310/323.02
6,611,081	B1 *	8/2003	Okazaki et al.	310/323.16
7,606,386	B2 *	10/2009	Kang et al.	381/396
2006/0153416	A1 *	7/2006	Kaneda et al.	381/396
2006/0174688	A1 *	8/2006	Kang et al.	73/1.82
2009/0145609	A1 *	6/2009	Holmes et al.	166/332.1
2009/0278644	A1 *	11/2009	Ueda et al.	335/302
2010/0201501	A1 *	8/2010	Ueda et al.	340/407.1
2011/0051987	A1 *	3/2011	Ueda et al.	381/412
2011/0234042	A1 *	9/2011	Oda et al.	310/300
2012/0169153	A1 *	7/2012	Ueda et al.	310/25
2012/0321289	A1 *	12/2012	Hiruta	396/144

* cited by examiner

Primary Examiner — Patricia Palasik

(74) *Attorney, Agent, or Firm* — Studebaker & Brackett PC

(21) Appl. No.: **29/462,417**

(22) Filed: **Aug. 2, 2013**

(30) **Foreign Application Priority Data**

Feb. 15, 2013 (JP) 2013-003080

(51) **LOC (10) Cl.** **15-99**

(52) **U.S. Cl.**
USPC **D15/199**

(58) **Field of Classification Search**
USPC D15/143, 147, 148, 199; 29/592; 74/25, 74/96; 267/53; 310/25, 300, 323.02, 310/323.11, 323.16, 328, 823; 335/302; 340/407.1; 359/557, 823; 381/412; 396/133, 144

See application file for complete search history.

(57) **CLAIM**

The ornamental design for a vibration actuator, as shown and described.

DESCRIPTION

FIG. 1 is a front view of a vibration actuator;
FIG. 2 is a rear view of the vibration actuator;
FIG. 3 is a top perspective view of the vibration actuator;
FIG. 4 is a bottom view of the vibration actuator;
FIG. 5 is a right side view of the vibration actuator;
FIG. 6 is a left side view of the vibration actuator;
FIG. 7 is a bottom perspective view of the vibration actuator;
FIG. 8 is a cross-section view of the vibration actuator taken along line 8-8 of FIG. 3; and,
FIG. 9 is a top plan view of the vibration actuator.

1 Claim, 9 Drawing Sheets

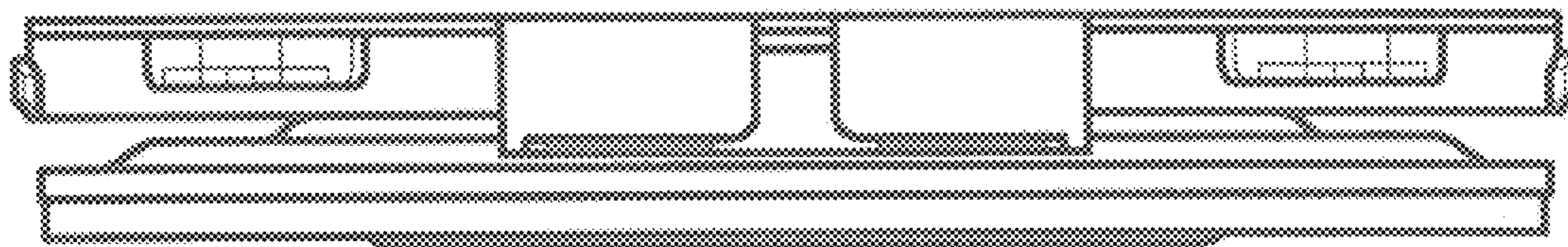


FIG. 1

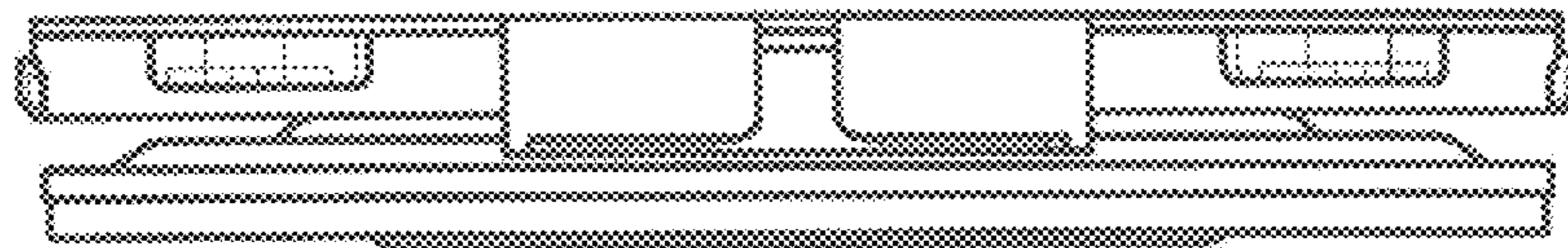


FIG. 2

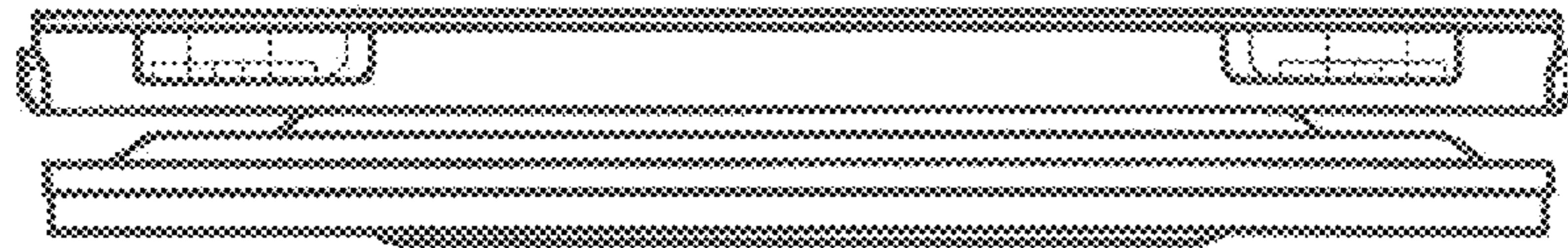


FIG. 3

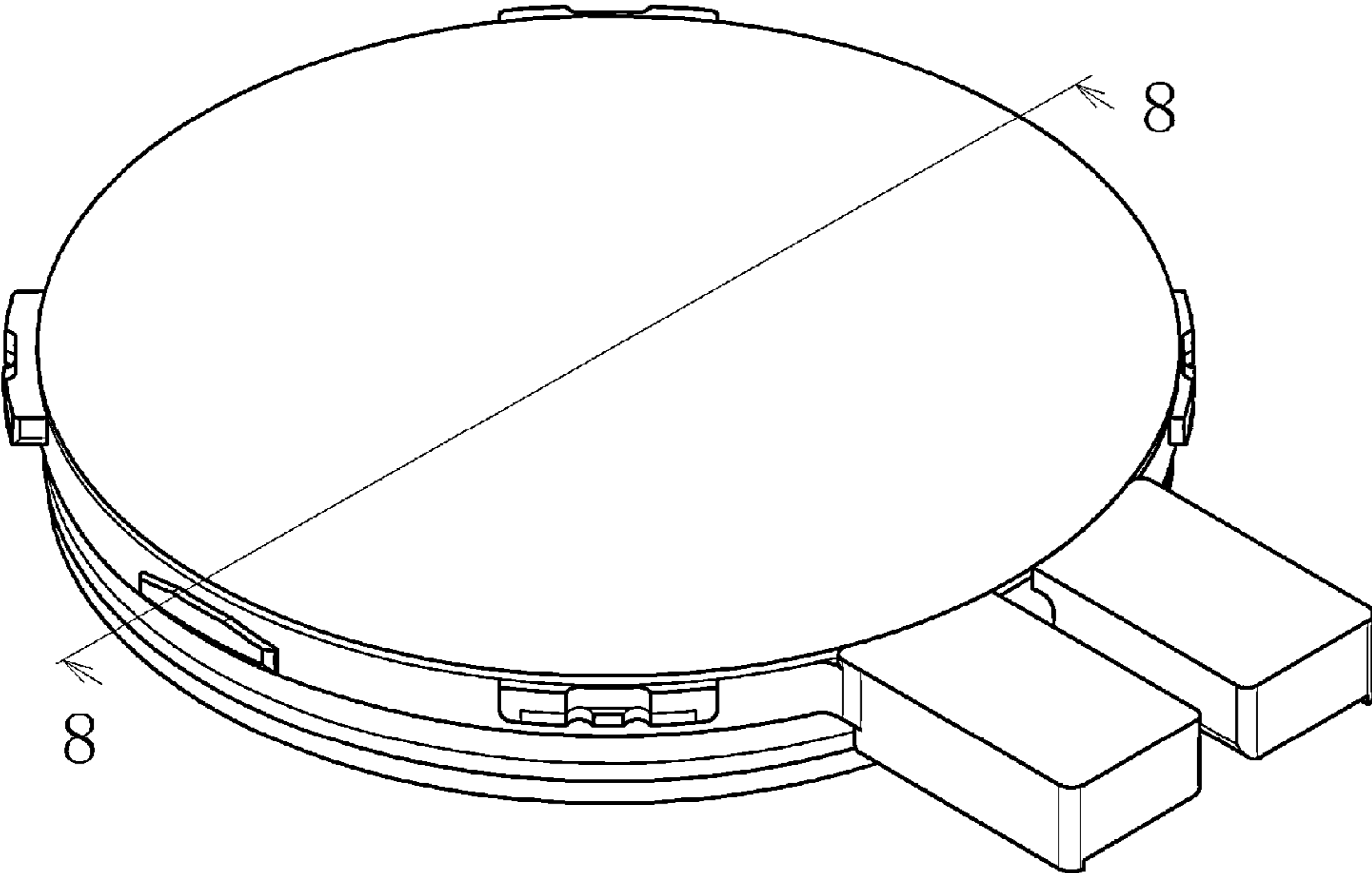


FIG. 4

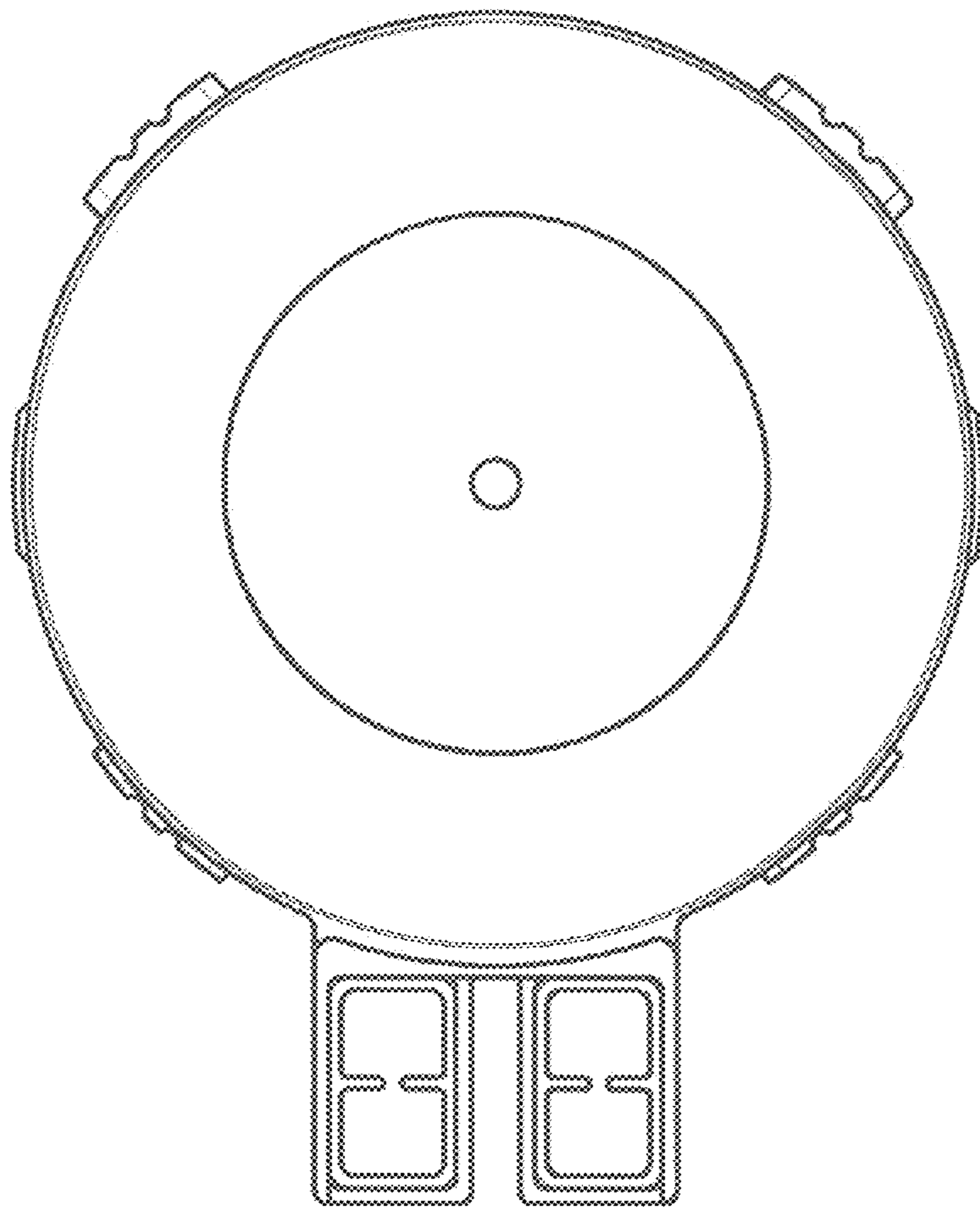


FIG. 5

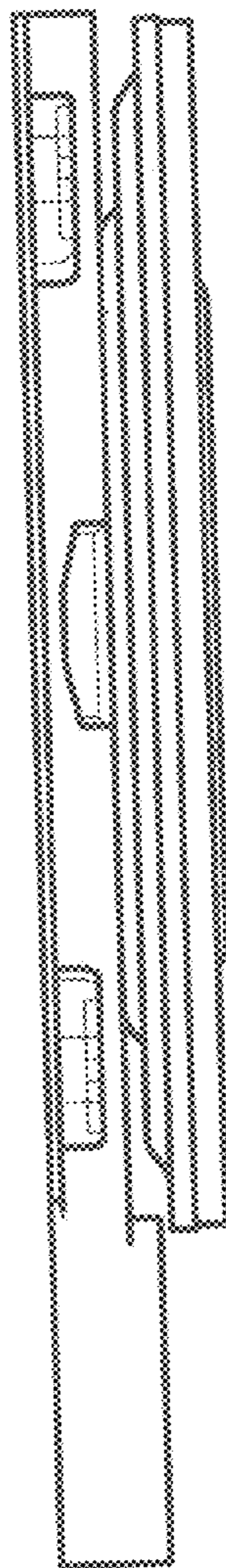


FIG. 6

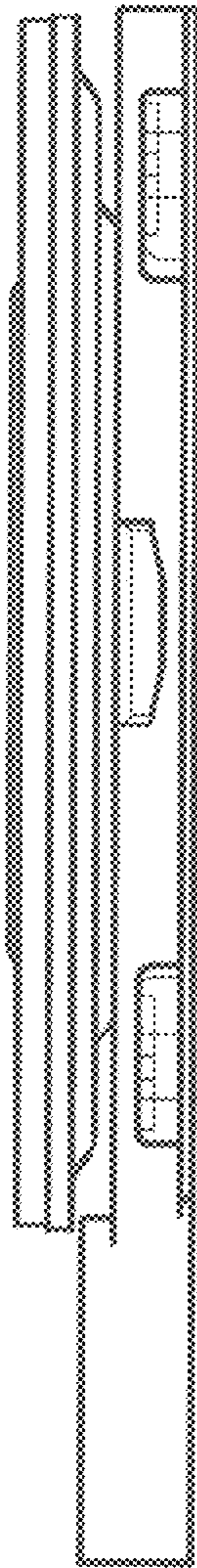


FIG. 7

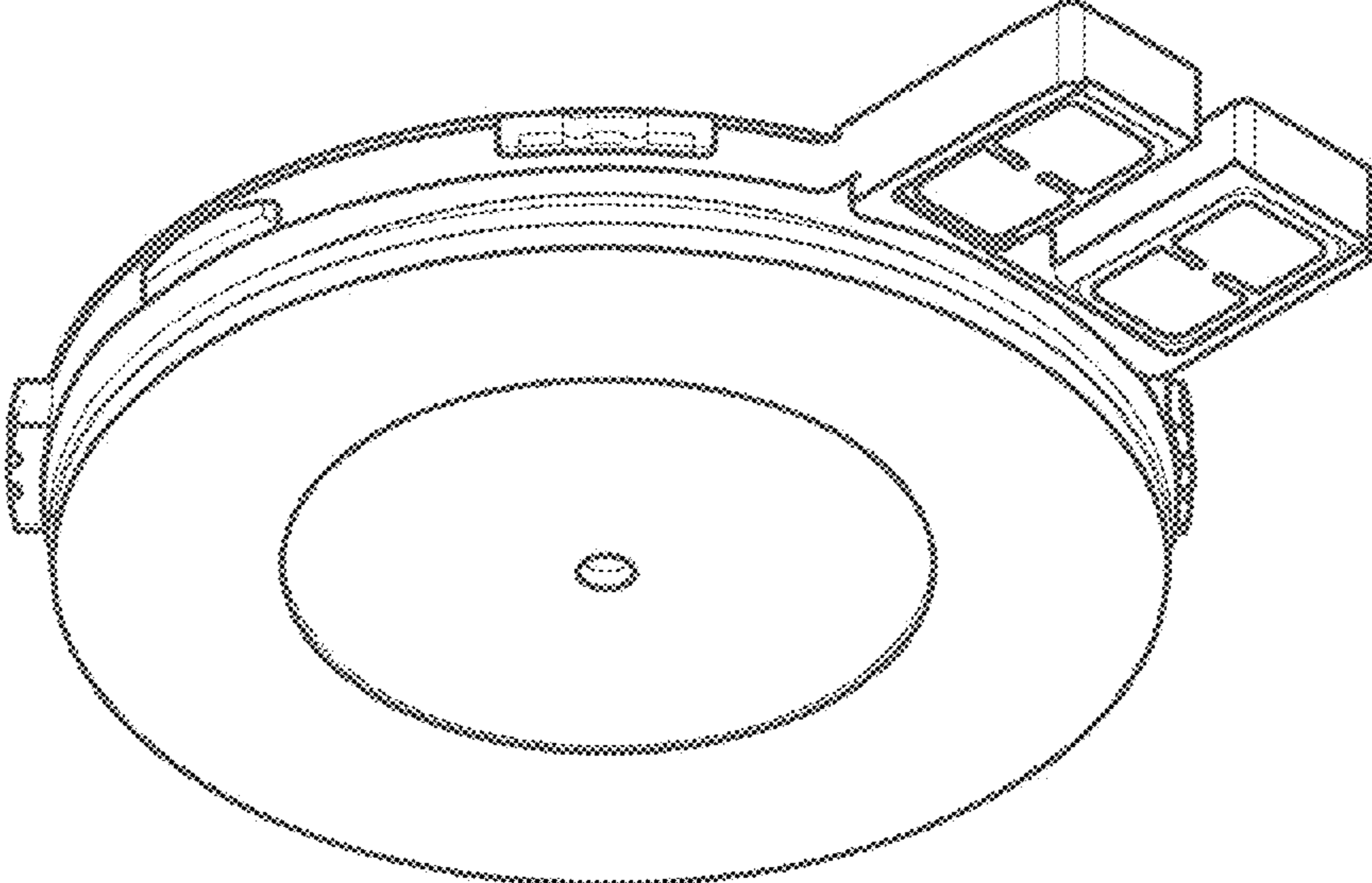


FIG. 8

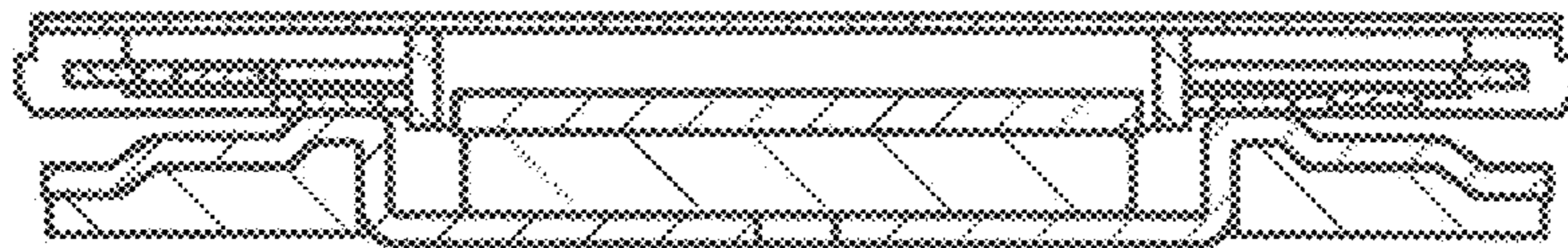


FIG. 9

