



US00D705829S

(12) **United States Design Patent**
Aeberhard

(10) **Patent No.:** **US D705,829 S**

(45) **Date of Patent:** **** May 27, 2014**

(54) **MIXER**

(71) Applicant: **Sulzer Mixpac AG**, Haag (CH)

(72) Inventor: **Hans Peter Aeberhard**, St. Margrethen (CH)

(73) Assignee: **Sulzer Mixpac AG**, Haag (CH)

(**) Term: **14 Years**

(21) Appl. No.: **29/473,352**

(22) Filed: **Nov. 21, 2013**

(30) **Foreign Application Priority Data**

May 29, 2013 (CH) 139 967

(51) **LOC (10) Cl.** **15-99**

(52) **U.S. Cl.**
USPC **D15/147**

(58) **Field of Classification Search**
USPC D7/376, 384; D15/135, 136, 137, 199;
277/26 R, 95; 366/47, 48, 57, 60, 63,
366/65, 76.7, 143, 149, 168.1, 181.3, 185,
366/192, 193, 217, 219, 228, 232, 241-260,
366/309, 326.1, 601, 604, 605

See application file for complete search history.

(56) **References Cited**

U.S. PATENT DOCUMENTS

D343,458	S	*	1/1994	Mechler et al.	D24/220
D346,223	S	*	4/1994	Mechler et al.	D24/220
D394,072	S	*	5/1998	McAvinney et al.	D15/148
7,311,436	B2	*	12/2007	Barker et al.	366/139
D671,968	S	*	12/2012	Schmidt	D15/122
D693,394	S	*	11/2013	Linne et al.	D15/147
D693,940	S	*	11/2013	Walter et al.	D24/220
2001/0024400	A1	*	9/2001	Van Der Wel	366/143
2002/0118596	A1	*	8/2002	Mizutani et al.	366/189
2006/0018187	A1	*	1/2006	Donna et al.	366/129
2006/0087913	A1	*	4/2006	Leong	366/206
2008/0056061	A1	*	3/2008	Pauser et al.	366/152.2
2013/0058184	A1	*	3/2013	Hansen	366/138

* cited by examiner

Primary Examiner — Patricia Palasik
(74) *Attorney, Agent, or Firm* — K&L Gates LLP

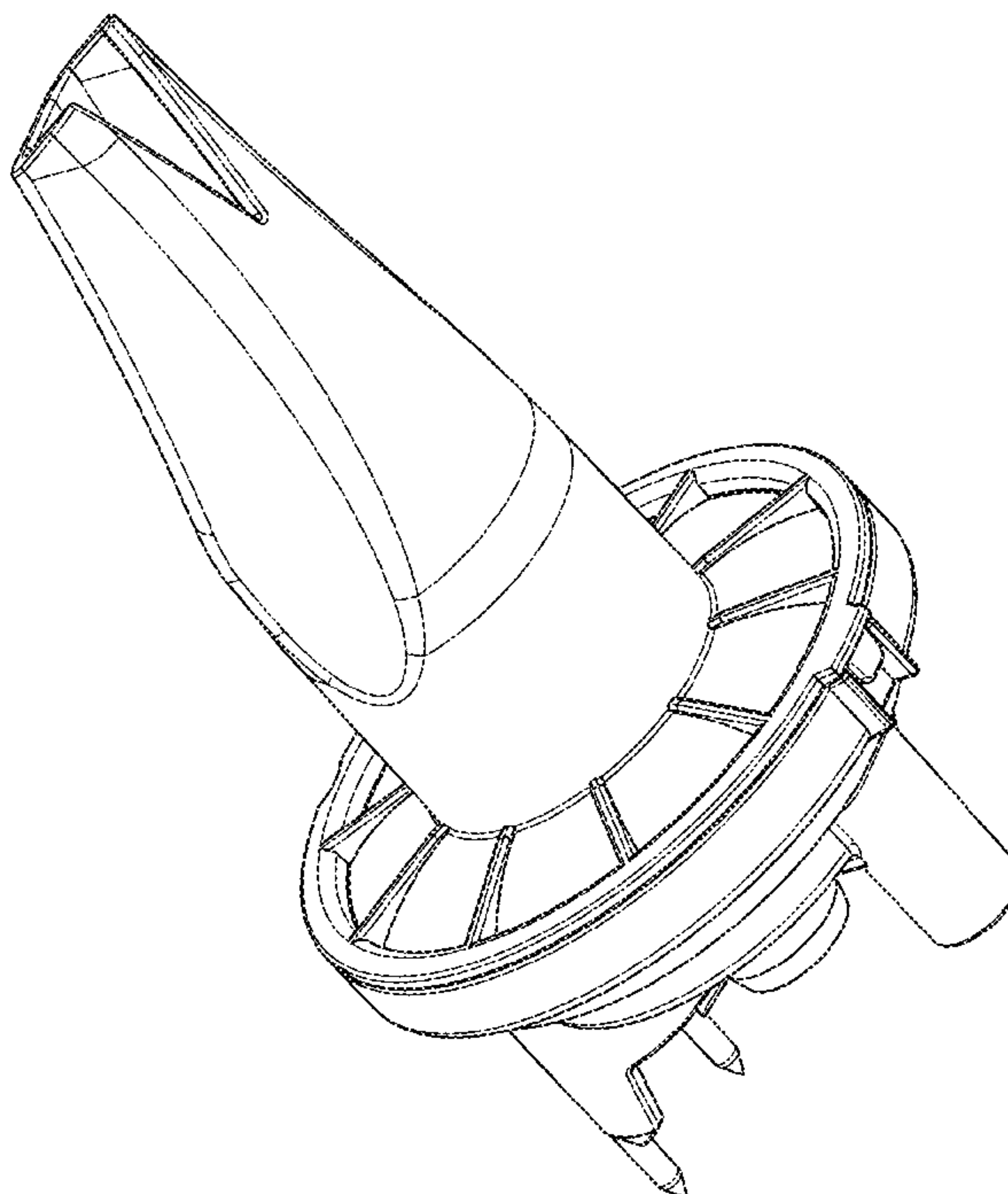
(57) **CLAIM**

The ornamental design for a mixer, as shown and described.

DESCRIPTION

FIG. 1 illustrates a front view of a mixer showing my new design;
FIG. 2 illustrates a back view thereof;
FIG. 3 illustrates a side view thereof;
FIG. 4 illustrates a side view thereof;
FIG. 5 illustrates a top view thereof;
FIG. 6 illustrates a bottom view thereof; and,
FIG. 7 illustrates a perspective view thereof.

1 Claim, 7 Drawing Sheets



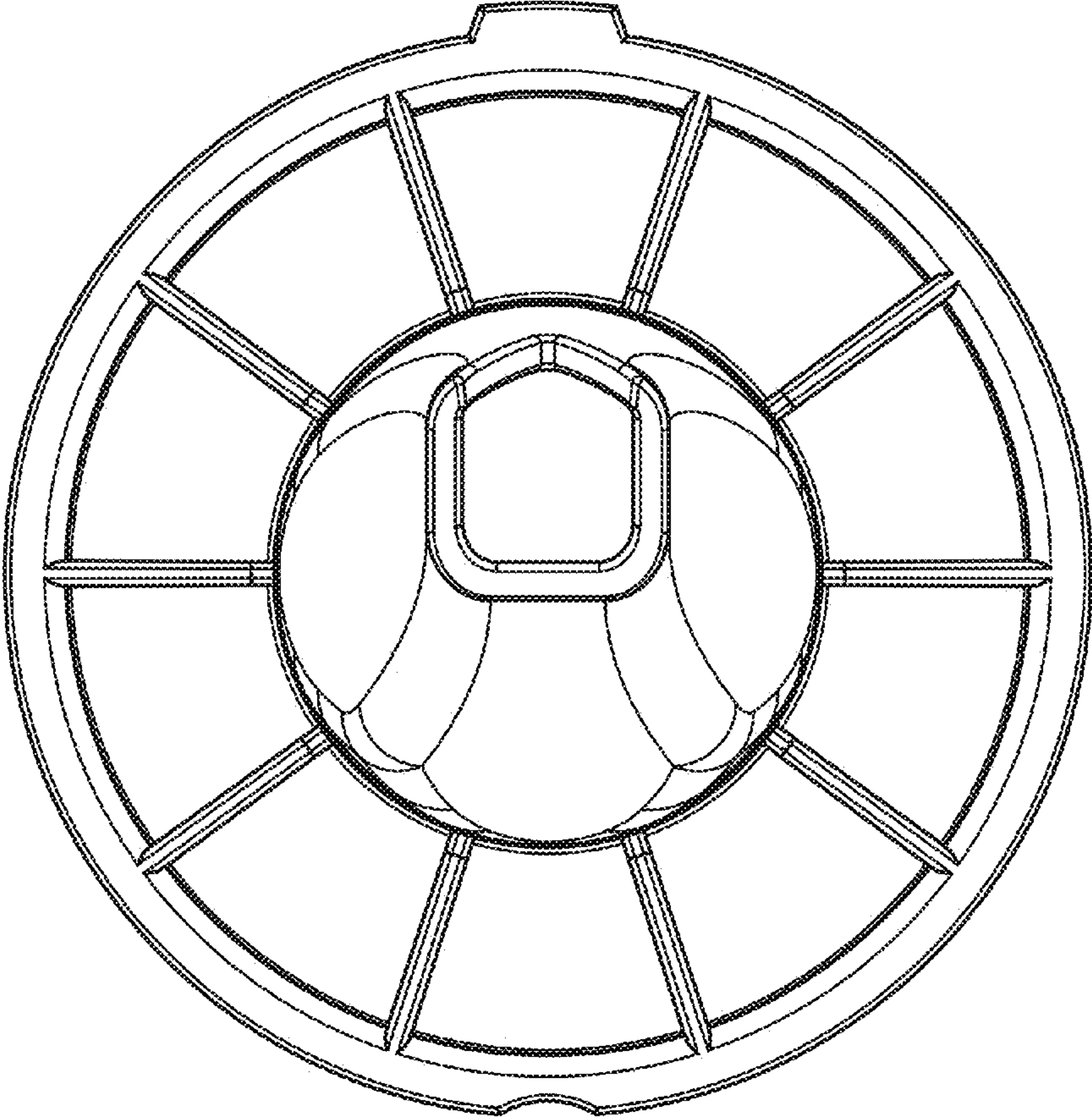


FIGURE 1

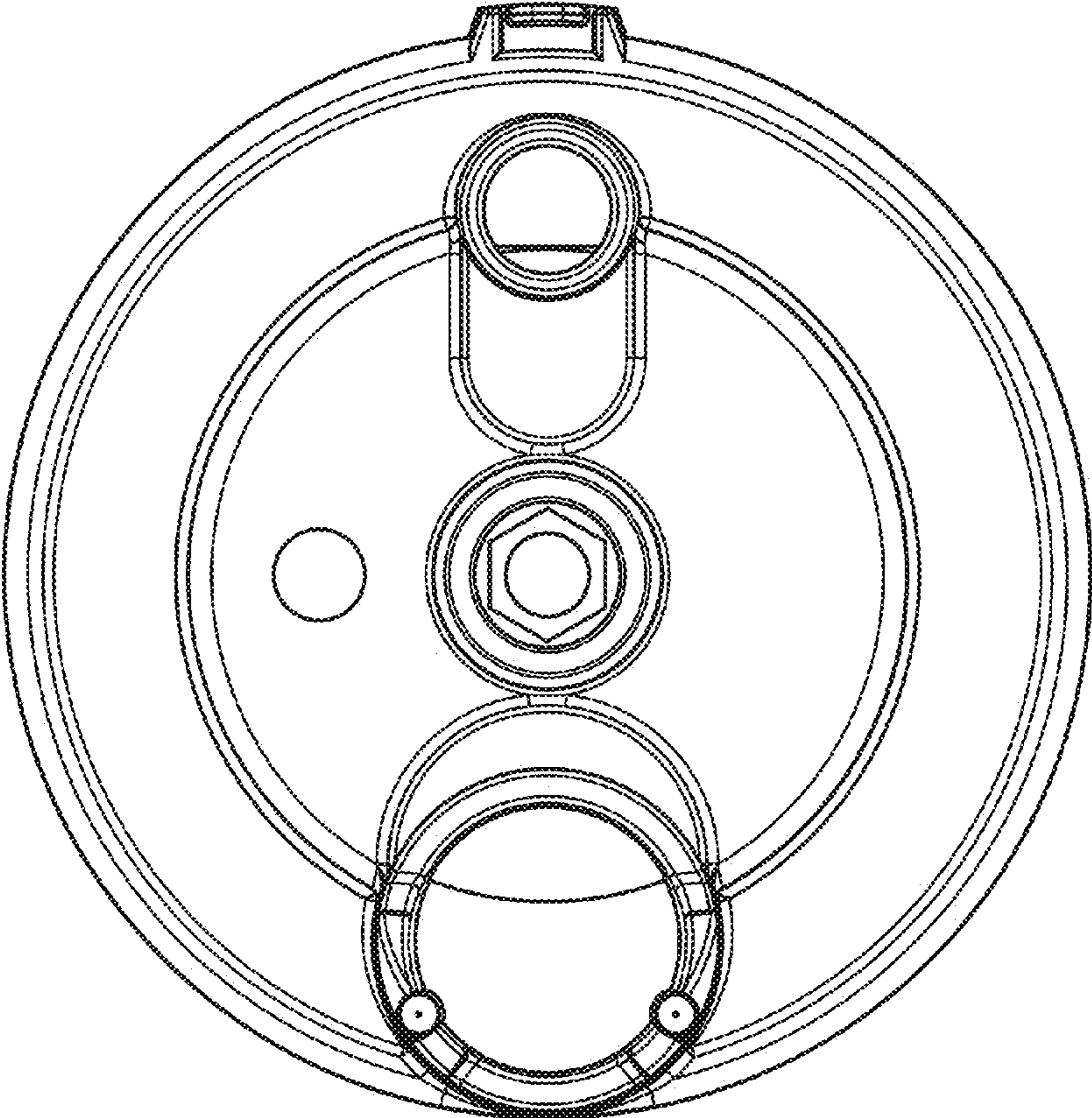


FIGURE 2

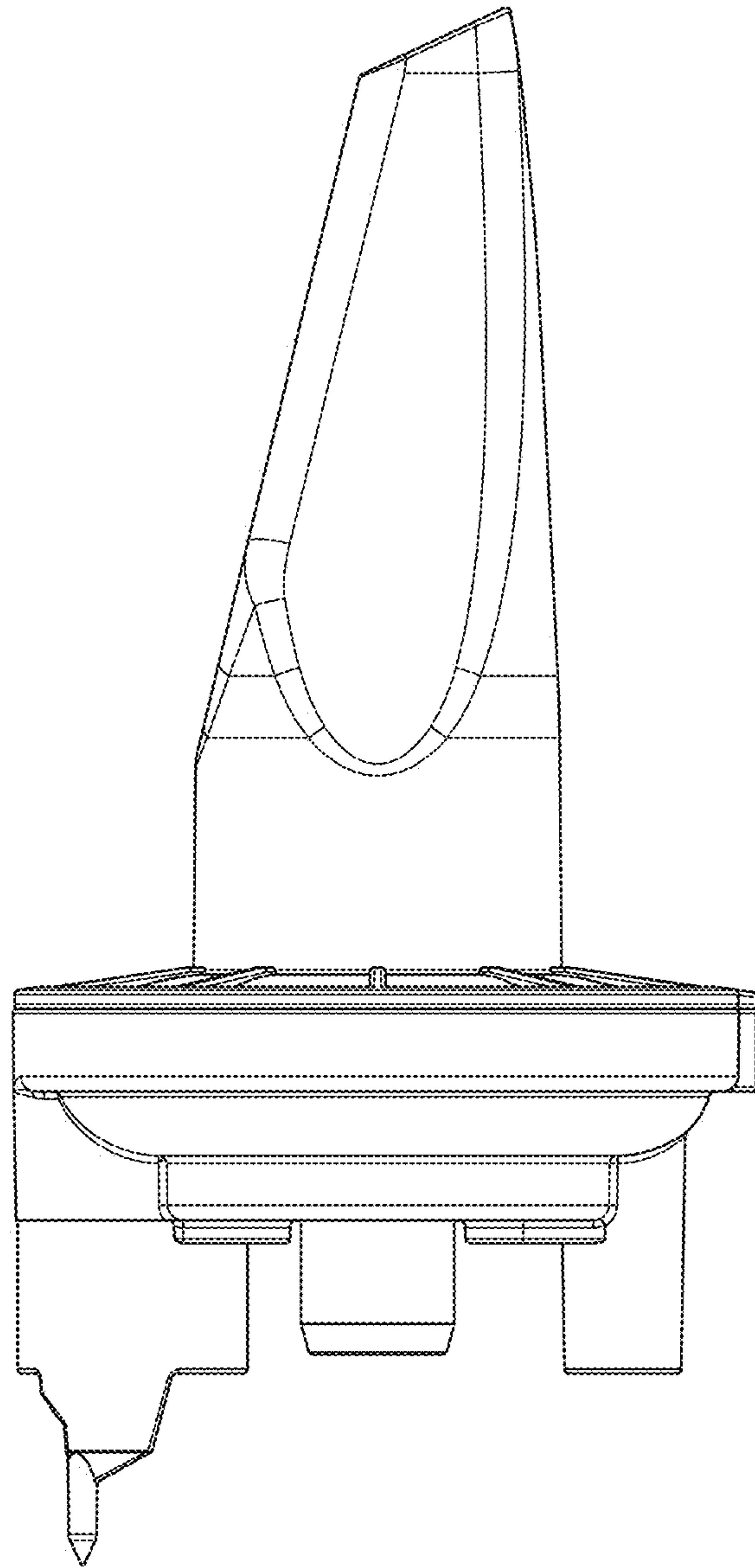


FIGURE 3

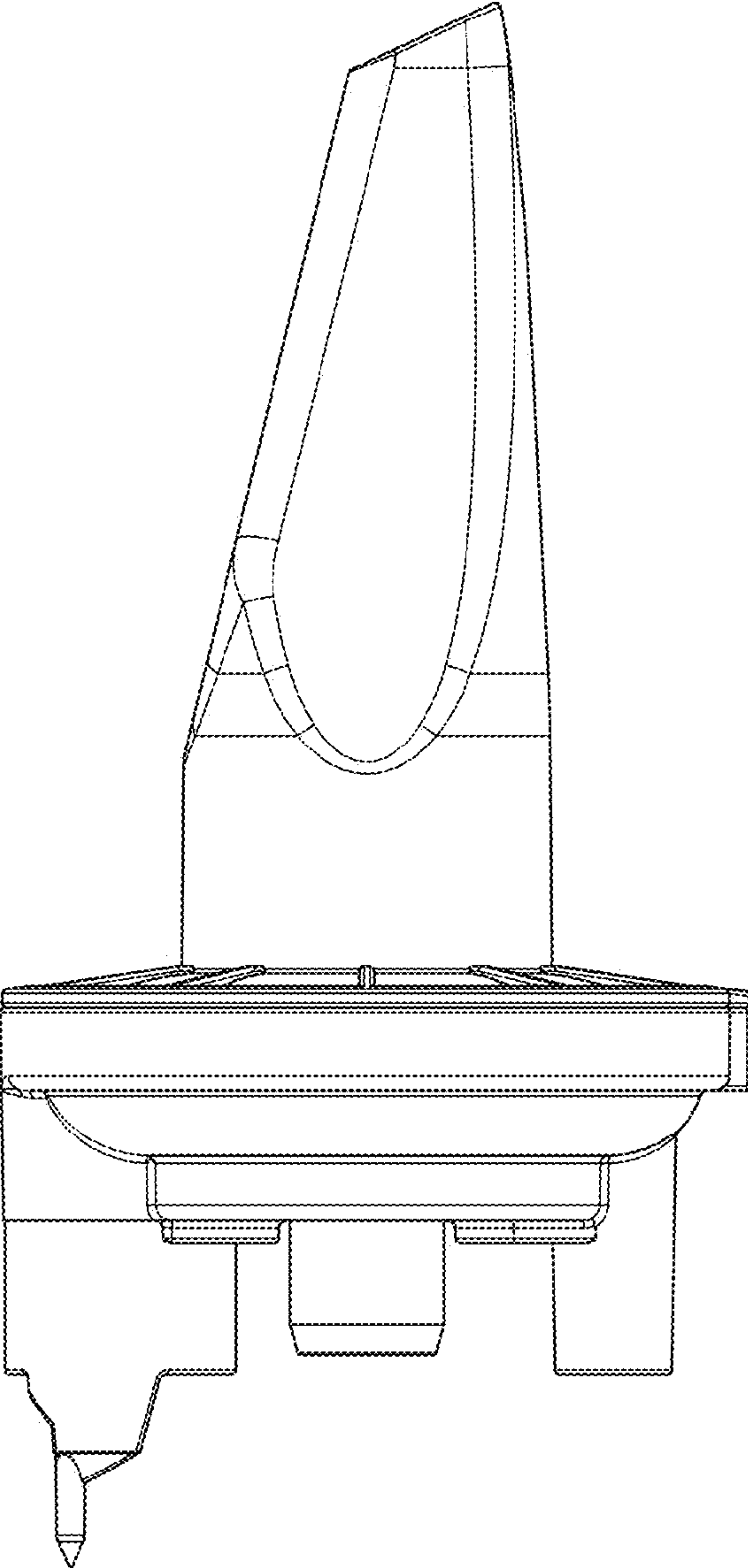


FIGURE 4

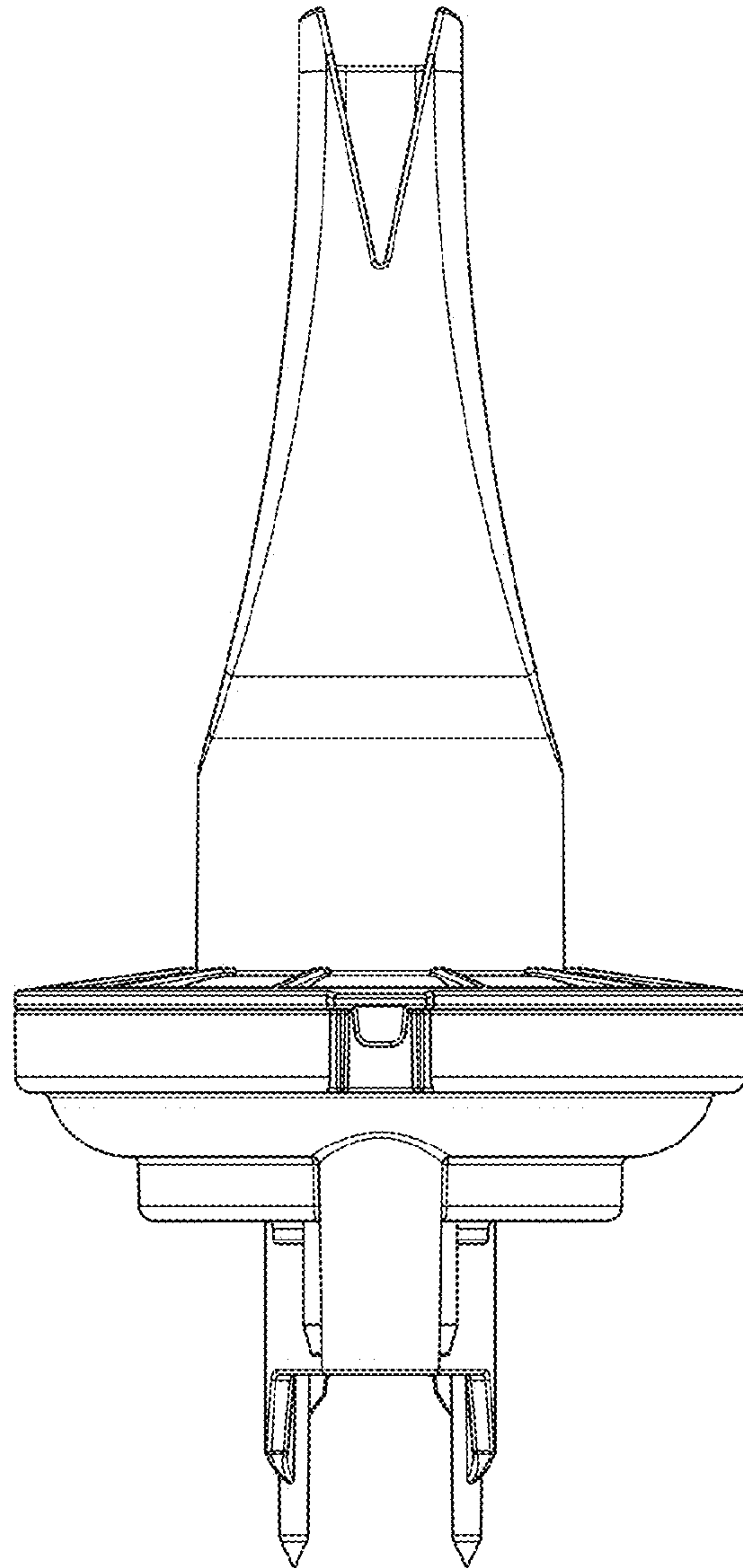


FIGURE 5

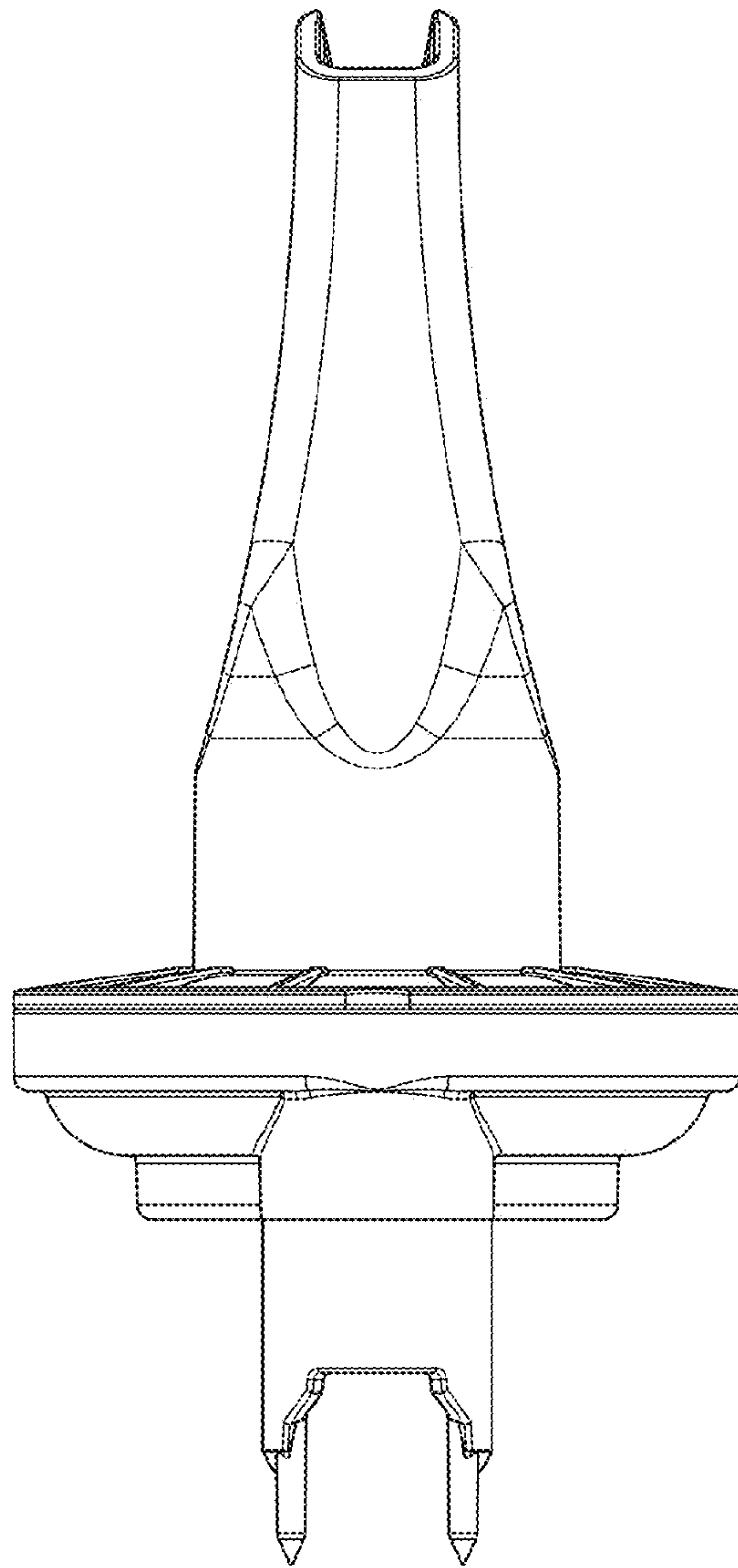


FIGURE 6

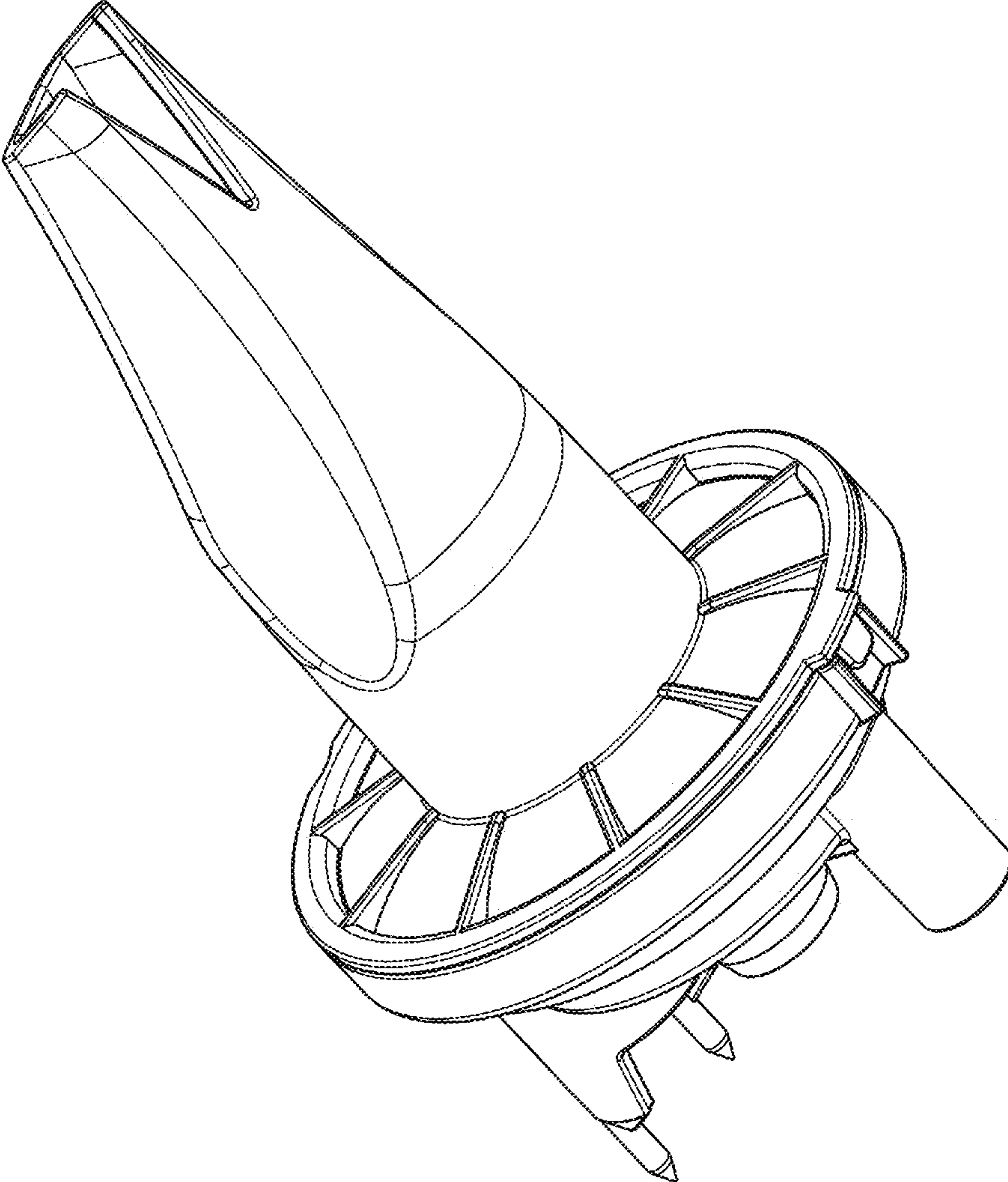


FIGURE 7