



US00D705828S

(12) **United States Design Patent**
Imai et al.

(10) **Patent No.:** **US D705,828 S**

(45) **Date of Patent:** **** May 27, 2014**

(54) **CUTTING INSERT**

2010/0034602 A1* 2/2010 Sung et al. 407/113

* cited by examiner

(71) Applicant: **Mitsubishi Materials Corporation,**
Tokyo (JP)

Primary Examiner — Patricia Palasik

(72) Inventors: **Yasuharu Imai,** Joso (JP); **Hiroshi Hoki,** Joso (JP)

(74) *Attorney, Agent, or Firm* — Edwards Wildman Palmer LLP

(73) Assignee: **Mitsubishi Materials Corporation,**
Tokyo (JP)

(57) **CLAIM**

The ornamental design for a cutting insert, as shown and described.

(**) Term: **14 Years**

DESCRIPTION

(21) Appl. No.: **29/450,127**

FIG. 1 is a perspective view of a cutting insert according to a first embodiment of our new ornamental design.

(22) Filed: **Mar. 15, 2013**

FIG. 2 is a front elevation view thereof. A rear elevation view, a right side elevation view and a left side elevation view are identical to the front elevation view.

(30) **Foreign Application Priority Data**

Sep. 20, 2012	(JP)	2012-22799
Oct. 9, 2012	(JP)	2012-24549
Oct. 9, 2012	(JP)	2012-24550
Oct. 9, 2012	(JP)	2012-24551
Oct. 9, 2012	(JP)	2012-24552
Oct. 9, 2012	(JP)	2012-24553

FIG. 3 is a top plan view thereof.

FIG. 4 is a bottom plan view thereof.

FIG. 5 is a side elevation view from the direction of the point 5 in FIG. 3.

FIG. 6 is a cross-sectional view taken along the line 6-6 in FIG. 3.

FIG. 7 is a cross-sectional view taken along the line 7-7 in FIG. 3.

(51) **LOC (10) Cl.** **15-09**

(52) **U.S. Cl.**
USPC **D15/139**

FIG. 8 is a perspective view of a cutting insert according to a second embodiment of our new ornamental design.

FIG. 9 is a front elevation view thereof. A rear elevation view, a right side elevation view and a left side elevation view are identical to the front elevation view.

FIG. 10 is a top plan view thereof.

FIG. 11 is a bottom plan view thereof.

FIG. 12 is a side elevation view from the direction of the point 12 in FIG. 10.

FIG. 13 is a cross-sectional view taken along the line 13-13 in FIG. 10.

FIG. 14 is a cross-sectional view taken along the line 14-14 in FIG. 10.

(58) **Field of Classification Search**
USPC D8/70, 71; D15/131, 138, 139, 140;
407/35, 42, 112-119
See application file for complete search history.

FIG. 15 is a perspective view of a cutting insert according to a third embodiment of our new ornamental design.

FIG. 16 is a front elevation view thereof. A rear elevation view, a right side elevation view and a left side elevation view are identical to the front elevation view.

(56) **References Cited**

U.S. PATENT DOCUMENTS

6,079,912	A *	6/2000	Rothballer	407/114
D487,281	S *	3/2004	Roman et al.	D15/139
D603,433	S *	11/2009	Zastrozynski	D15/139
D621,429	S *	8/2010	Zastrozynski	D15/139
D640,716	S *	6/2011	Takahashi et al.	D15/139
D651,224	S *	12/2011	Takahashi et al.	D15/139
2004/0007115	A1 *	1/2004	Schwamer et al.	83/835
2006/0216122	A1 *	9/2006	Engstrom et al.	407/114

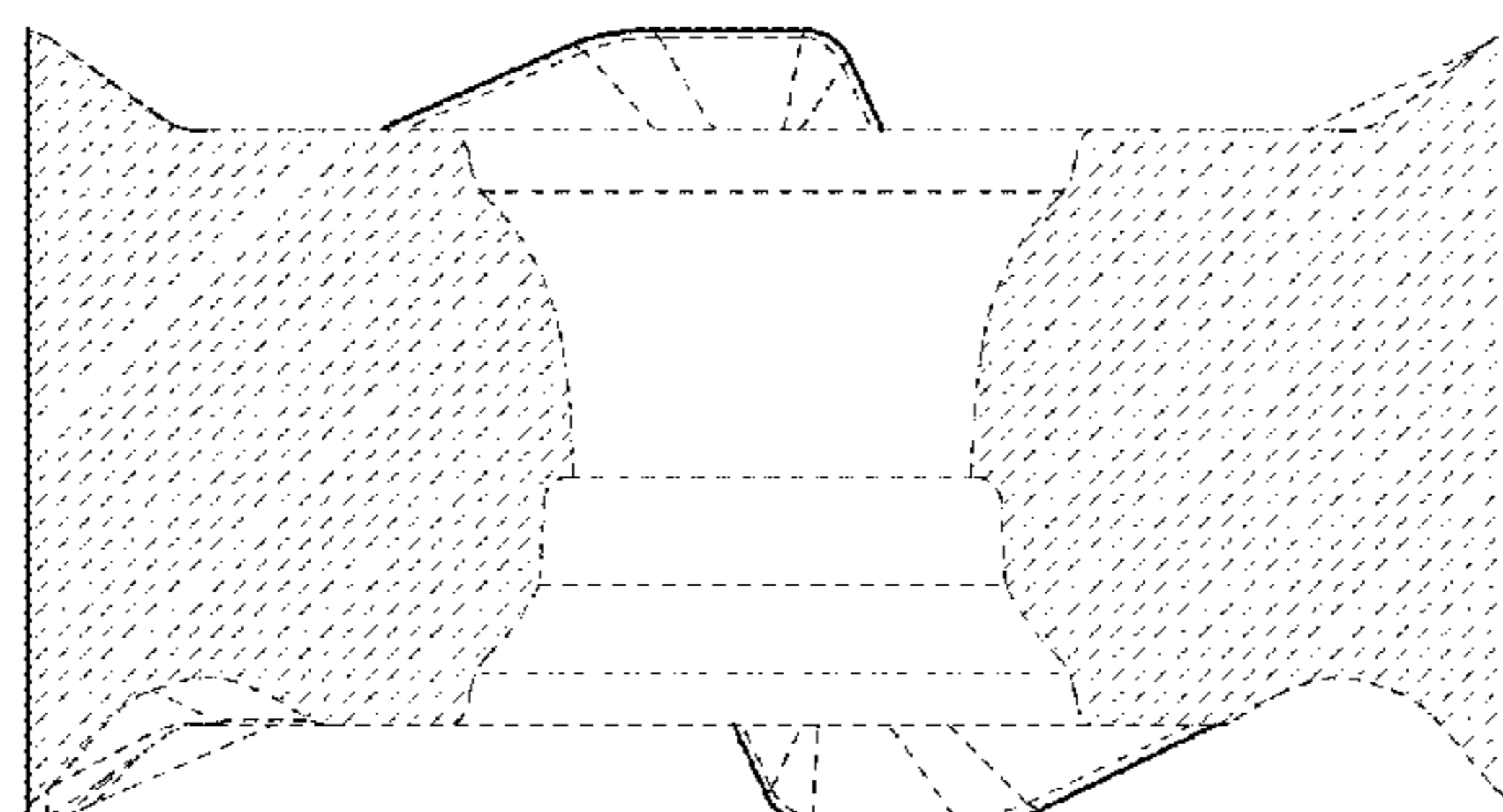


FIG. 17 is a top plan view thereof.

FIG. 18 is a bottom plan view thereof.

FIG. 19 is a side elevation view from the direction of the point 19 in FIG. 17.

FIG. 20 is a cross-sectional view taken along the line 20-20 in FIG. 17.

FIG. 21 is a cross-sectional view taken along the line 21-21 in FIG. 17.

FIG. 22 is a perspective view of a cutting insert according to a fourth embodiment of our new ornamental design.

FIG. 23 is a front elevation view thereof. A rear elevation view, a right side elevation view and a left side elevation view are identical to the front elevation view.

FIG. 24 is a top plan view thereof.

FIG. 25 is a bottom plan view thereof.

FIG. 26 is a side elevation view from the direction of the point 26 in FIG. 24.

FIG. 27 is a cross-sectional view taken along the line 27-27 in FIG. 24.

FIG. 28 is a cross-sectional view taken along the line 28-28 in FIG. 24.

FIG. 29 is a perspective view of a cutting insert according to a fifth embodiment of our new ornamental design.

FIG. 30 is a front elevation view thereof. A rear elevation view, a right side elevation view and a left side elevation view are identical to the front elevation view.

FIG. 31 is a top plan view thereof.

FIG. 32 is a bottom plan view thereof.

FIG. 33 is a side elevation view from the direction of the point 33 in FIG. 31.

FIG. 34 is a cross-sectional view taken along the line 34-34 in FIG. 31.

FIG. 35 is a cross-sectional view taken along the line 35-35 in FIG. 31.

FIG. 36 is a perspective view of a cutting insert according to a sixth embodiment of our new ornamental design.

FIG. 37 is a front elevation view thereof. A rear elevation view, a right side elevation view and a left side elevation view are identical to the front elevation view.

FIG. 38 is a top plan view thereof.

FIG. 39 is a bottom plan view thereof.

FIG. 40 is a side elevation view from the direction of the point 40 in FIG. 38.

FIG. 41 is a cross-sectional view taken along the line 41-41 in FIG. 38; and,

FIG. 42 is a cross-sectional view taken along the line 42-42 in FIG. 38.

The portions of the cutting insert shown in broken lines are for the purpose of showing environmental structure only and form no part of the claimed design.

1 Claim, 42 Drawing Sheets

FIG. 1

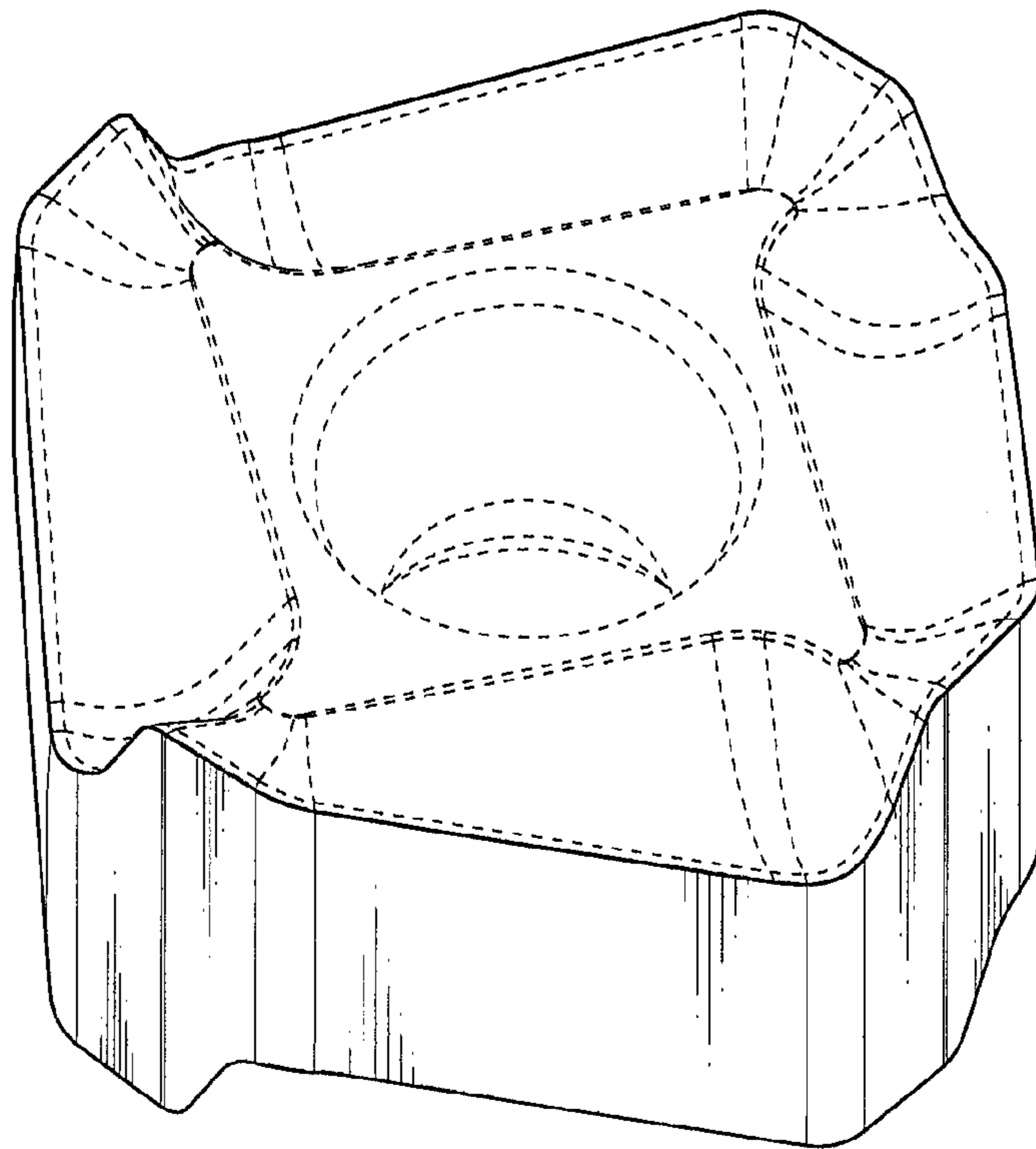


FIG. 2

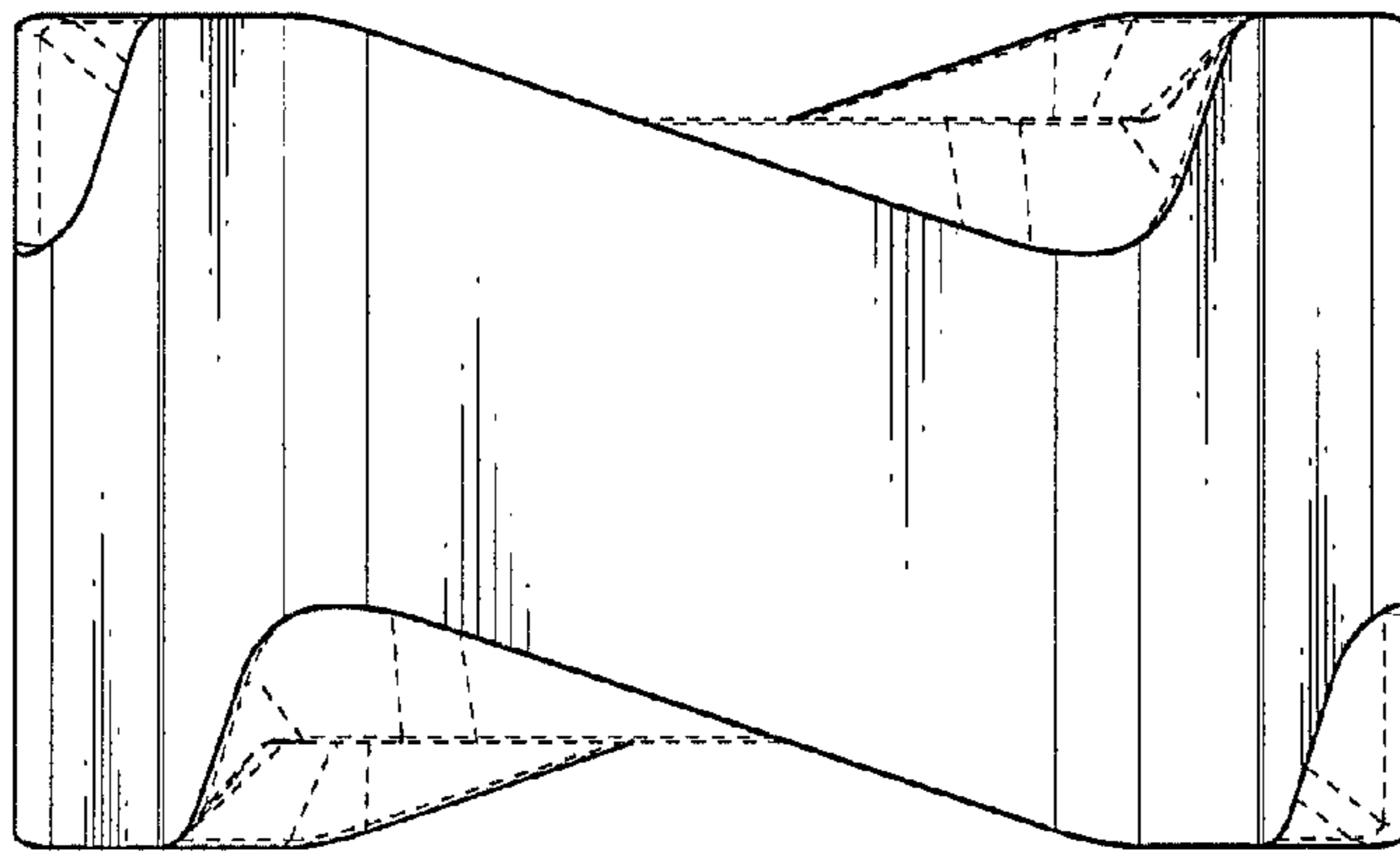


FIG. 3

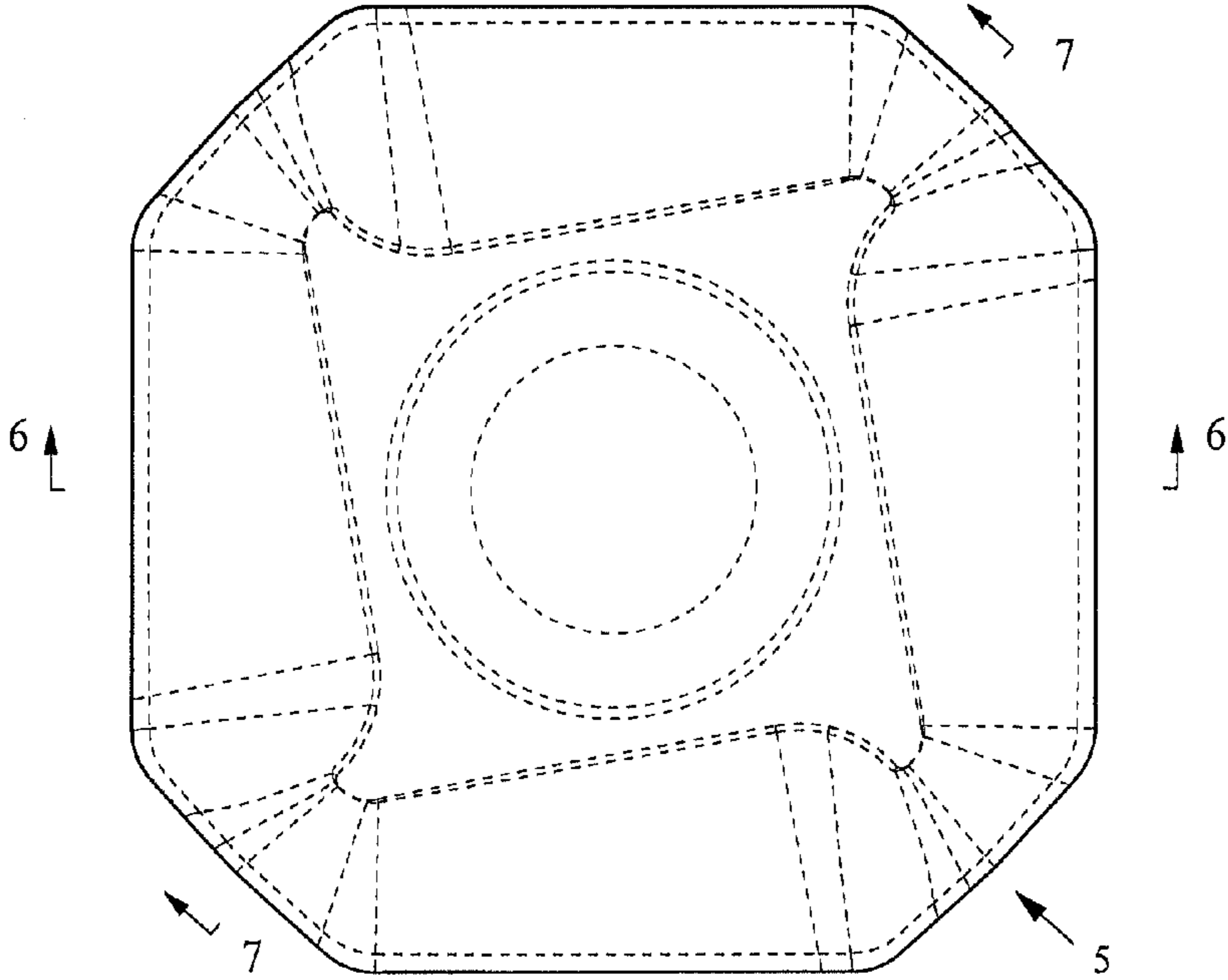


FIG. 4

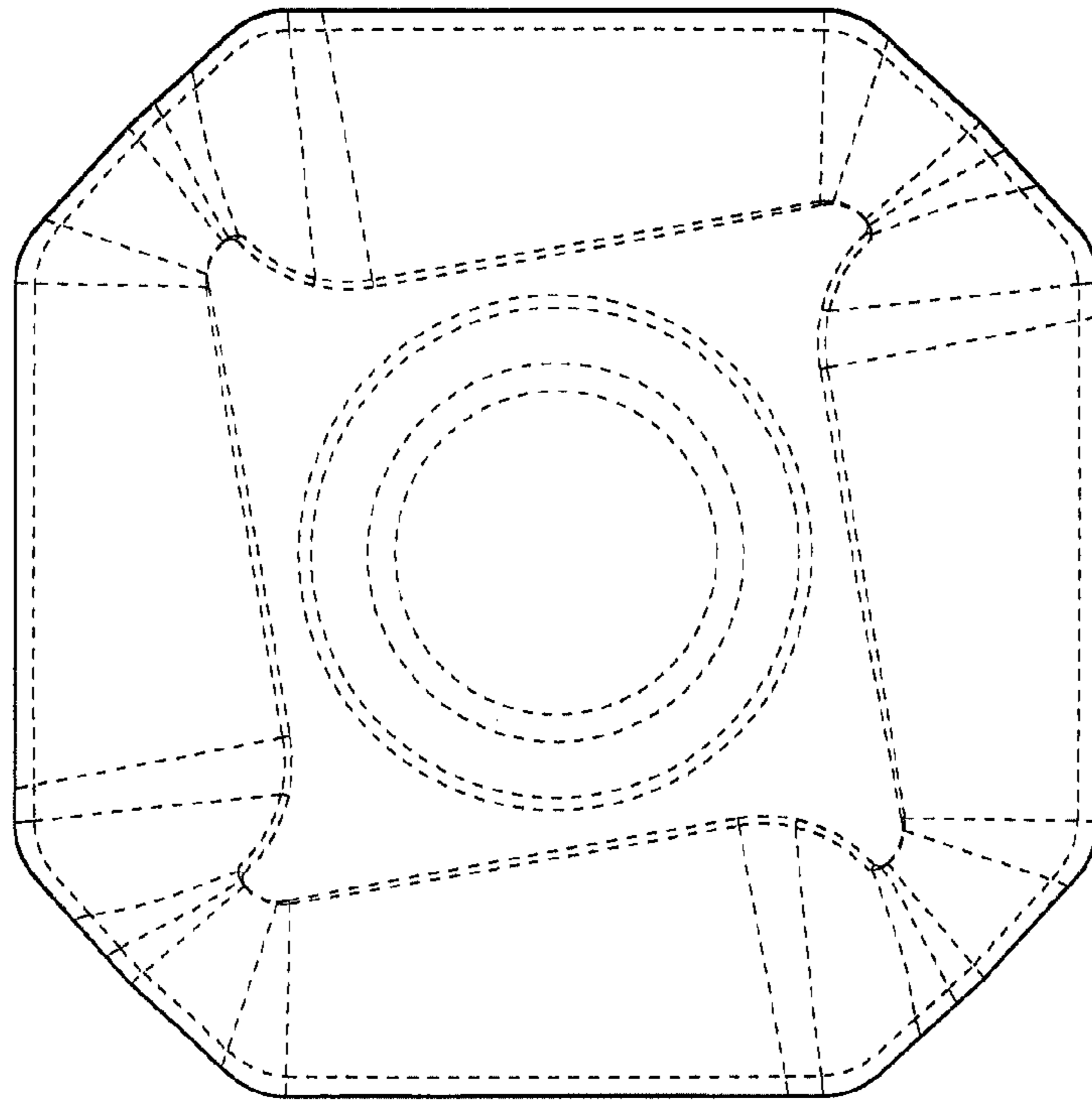


FIG. 5

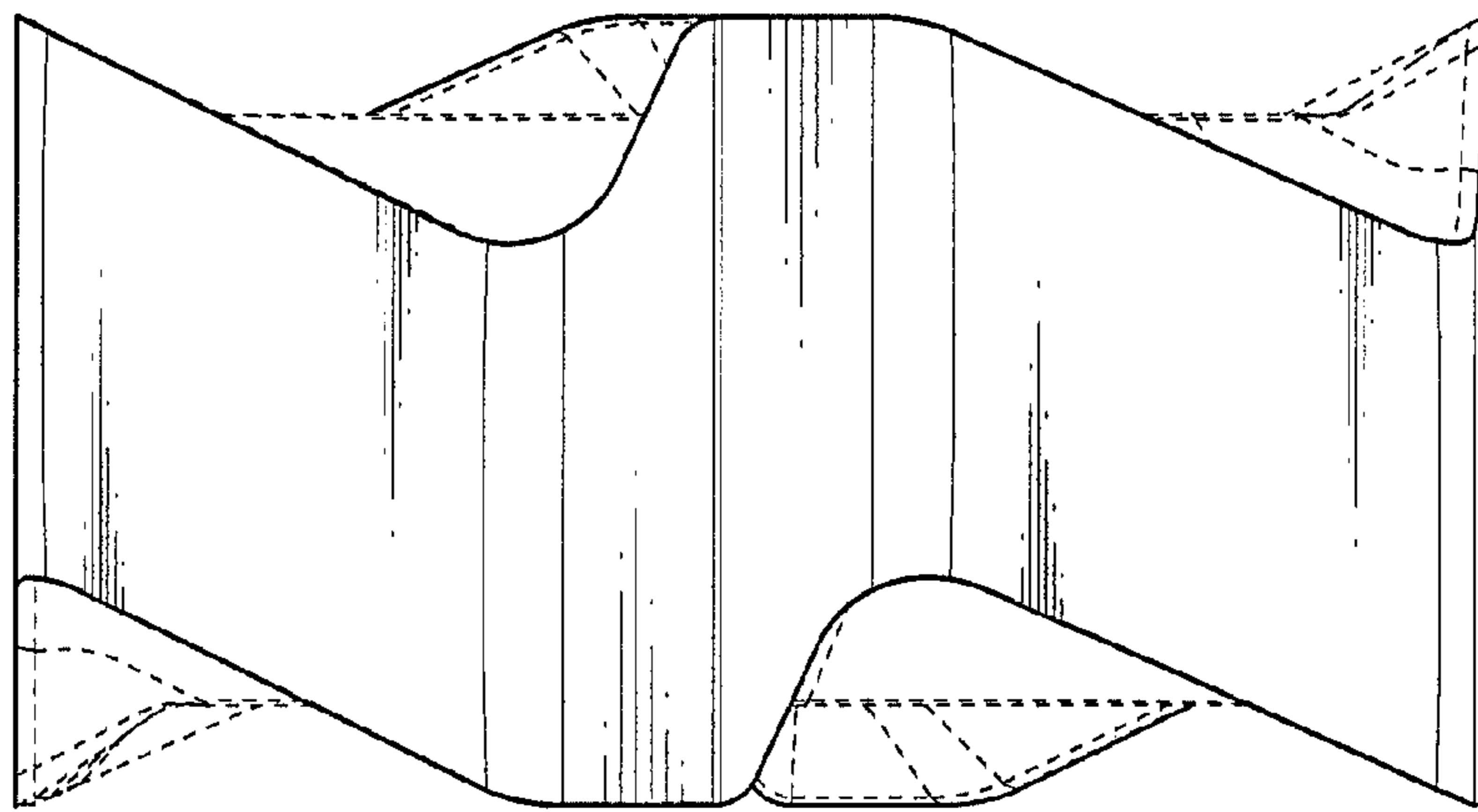


FIG. 6

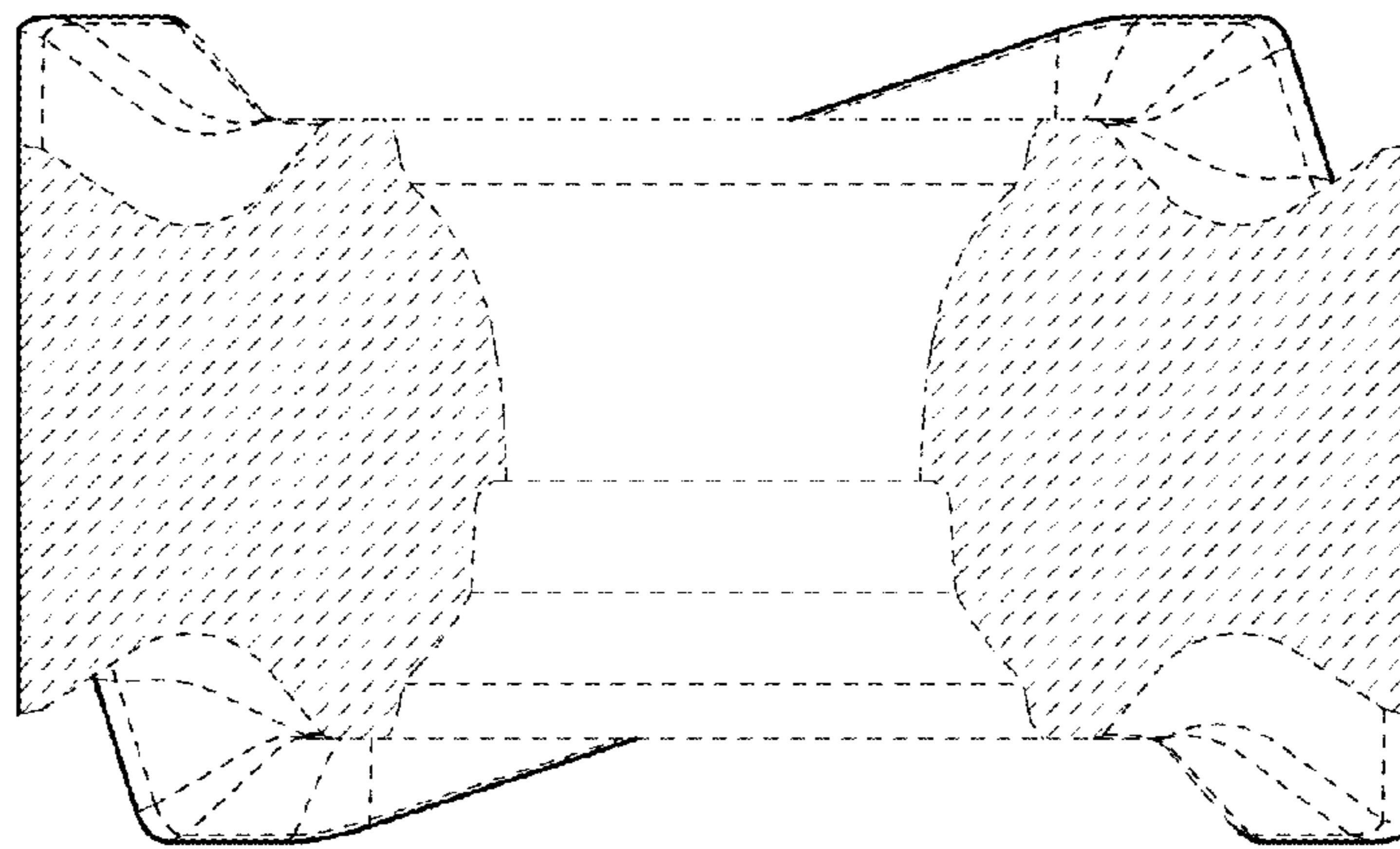


FIG. 7

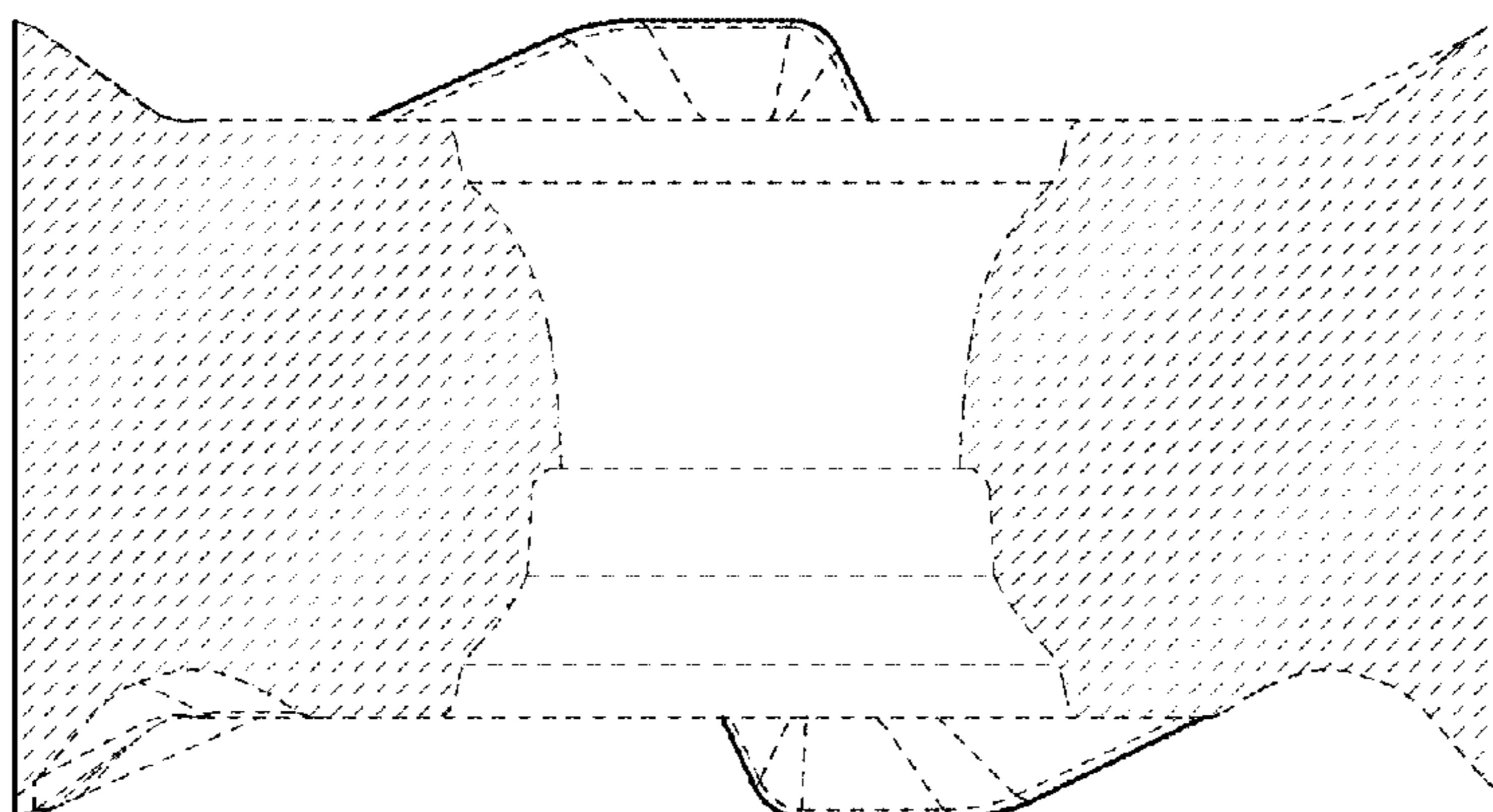


FIG. 8

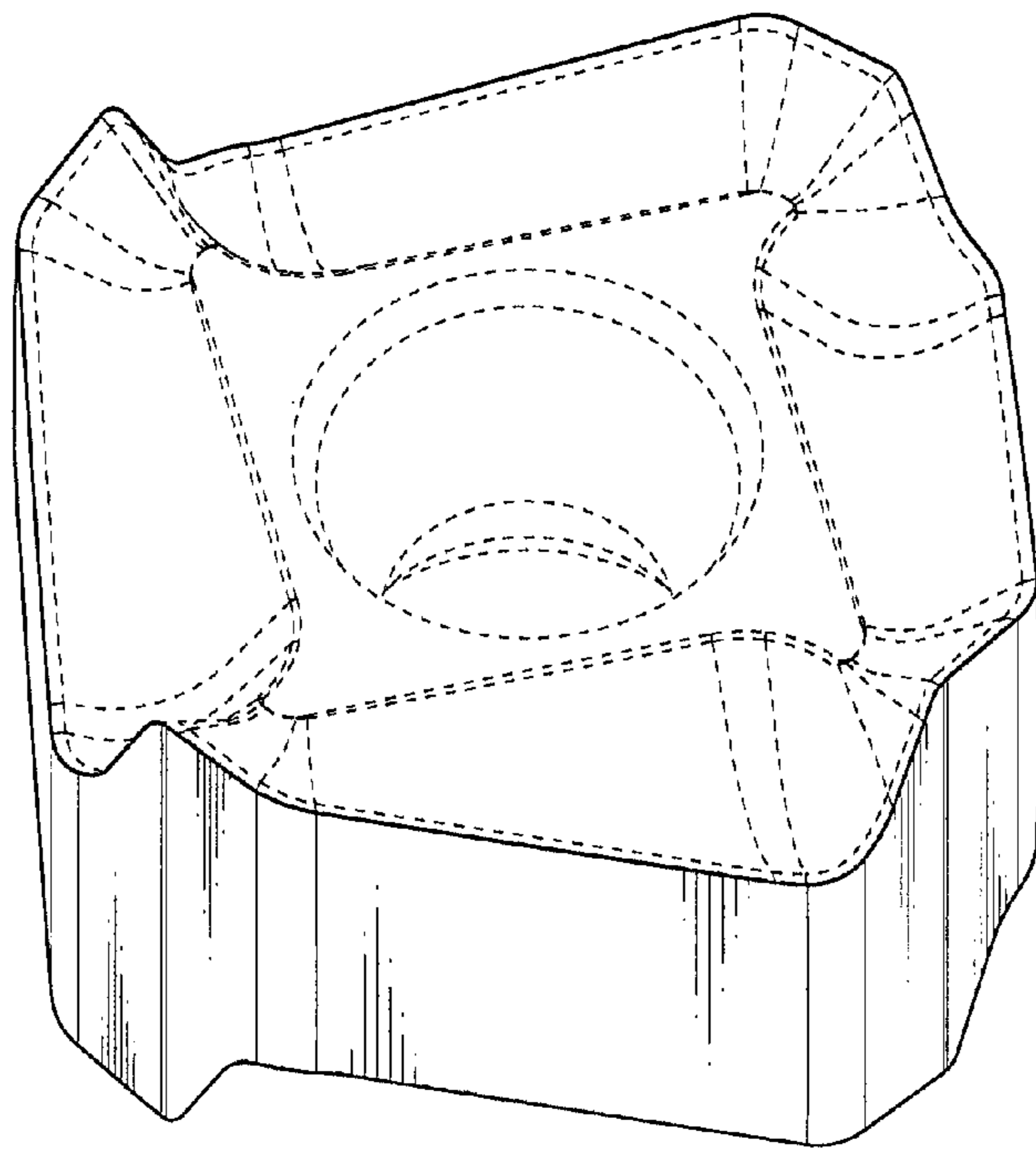


FIG. 9

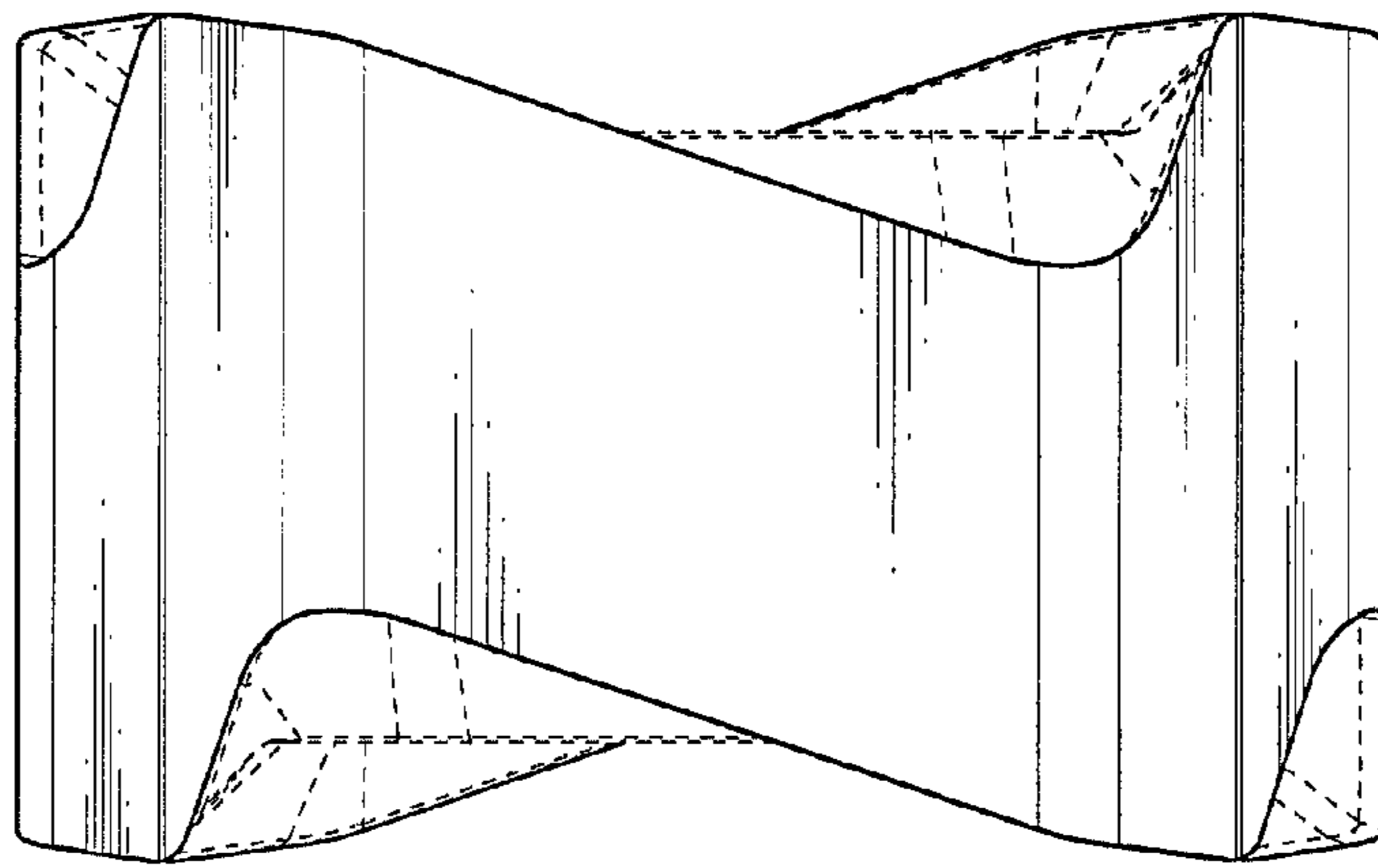


FIG. 10

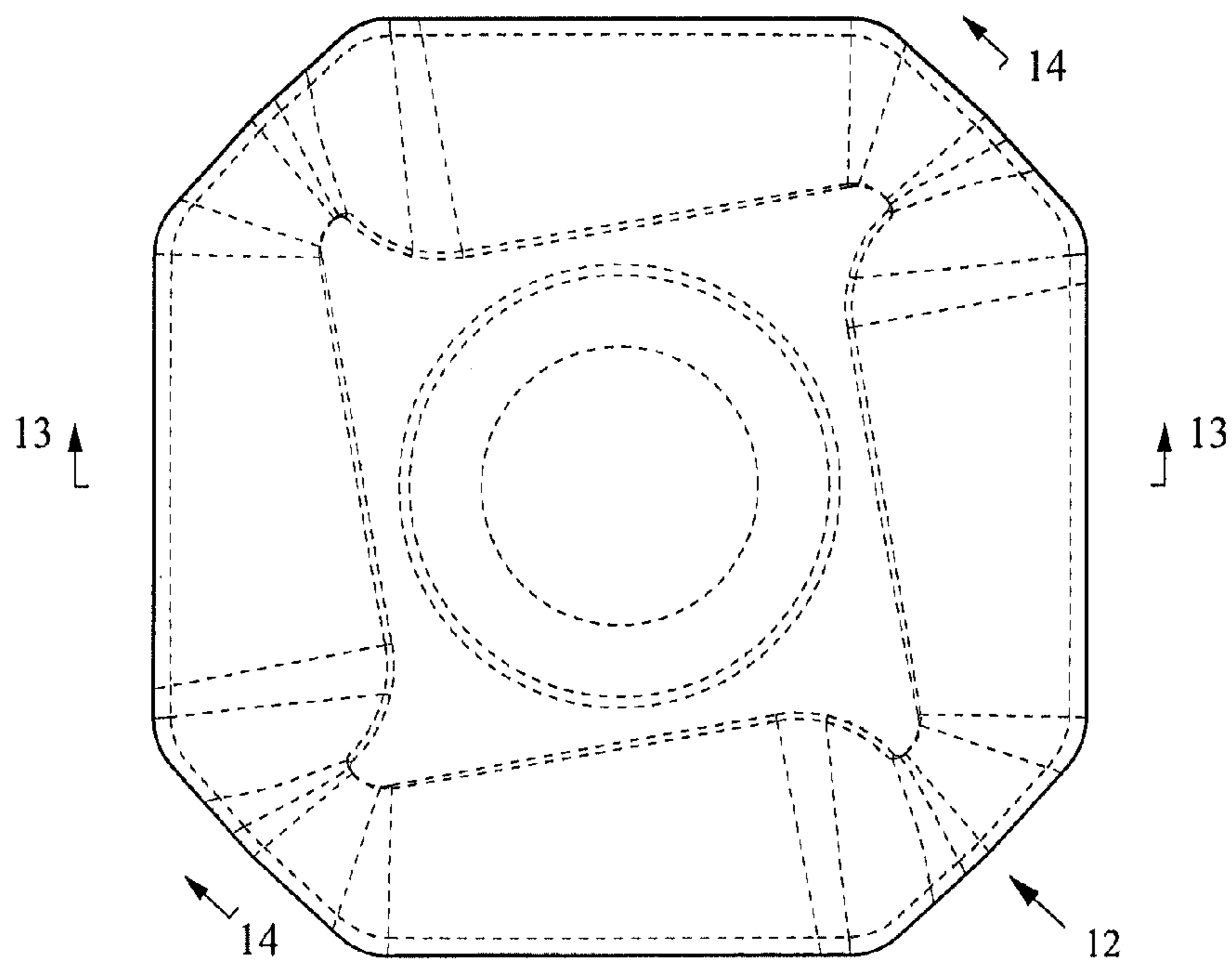


FIG. 11

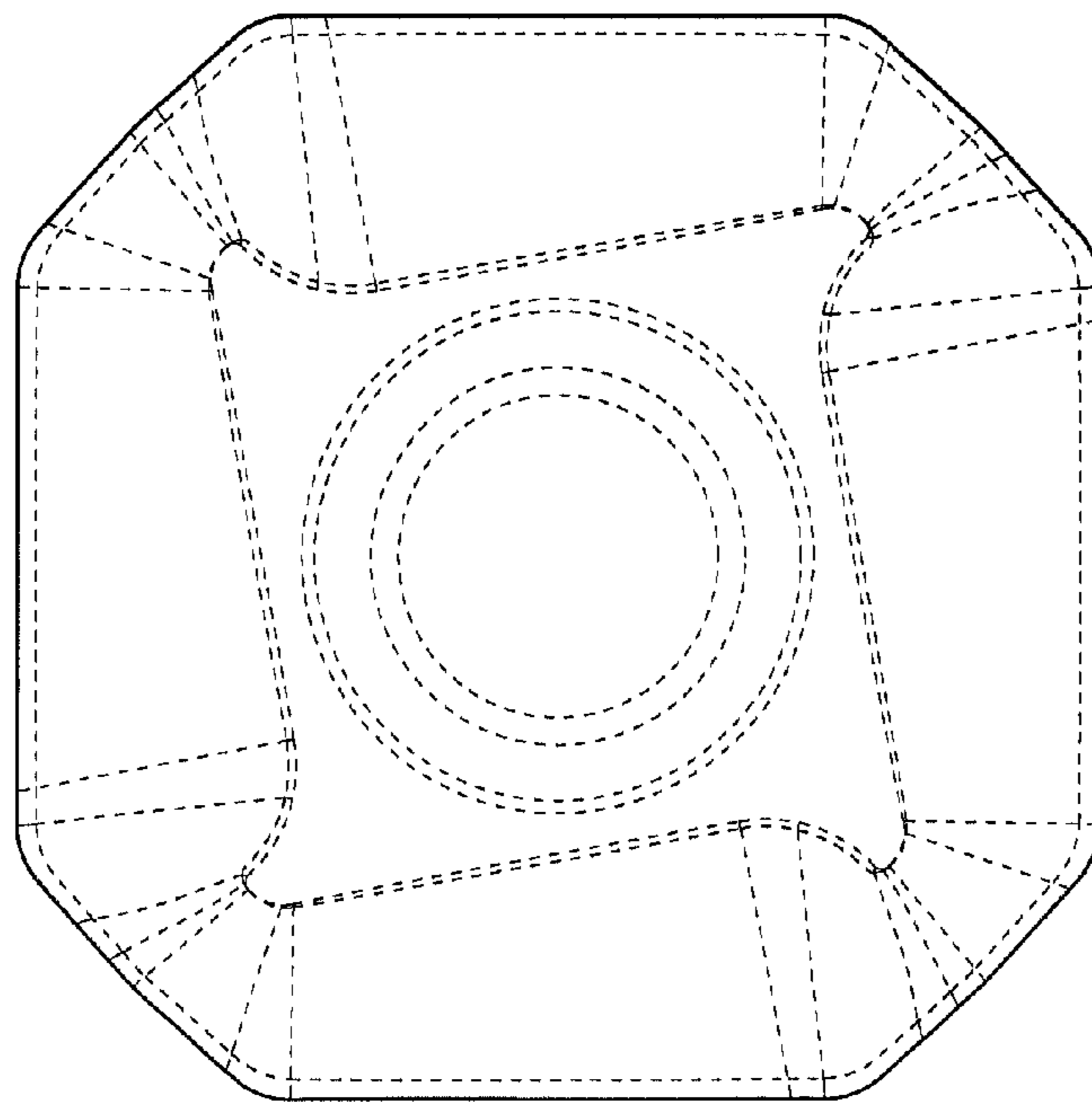


FIG. 12

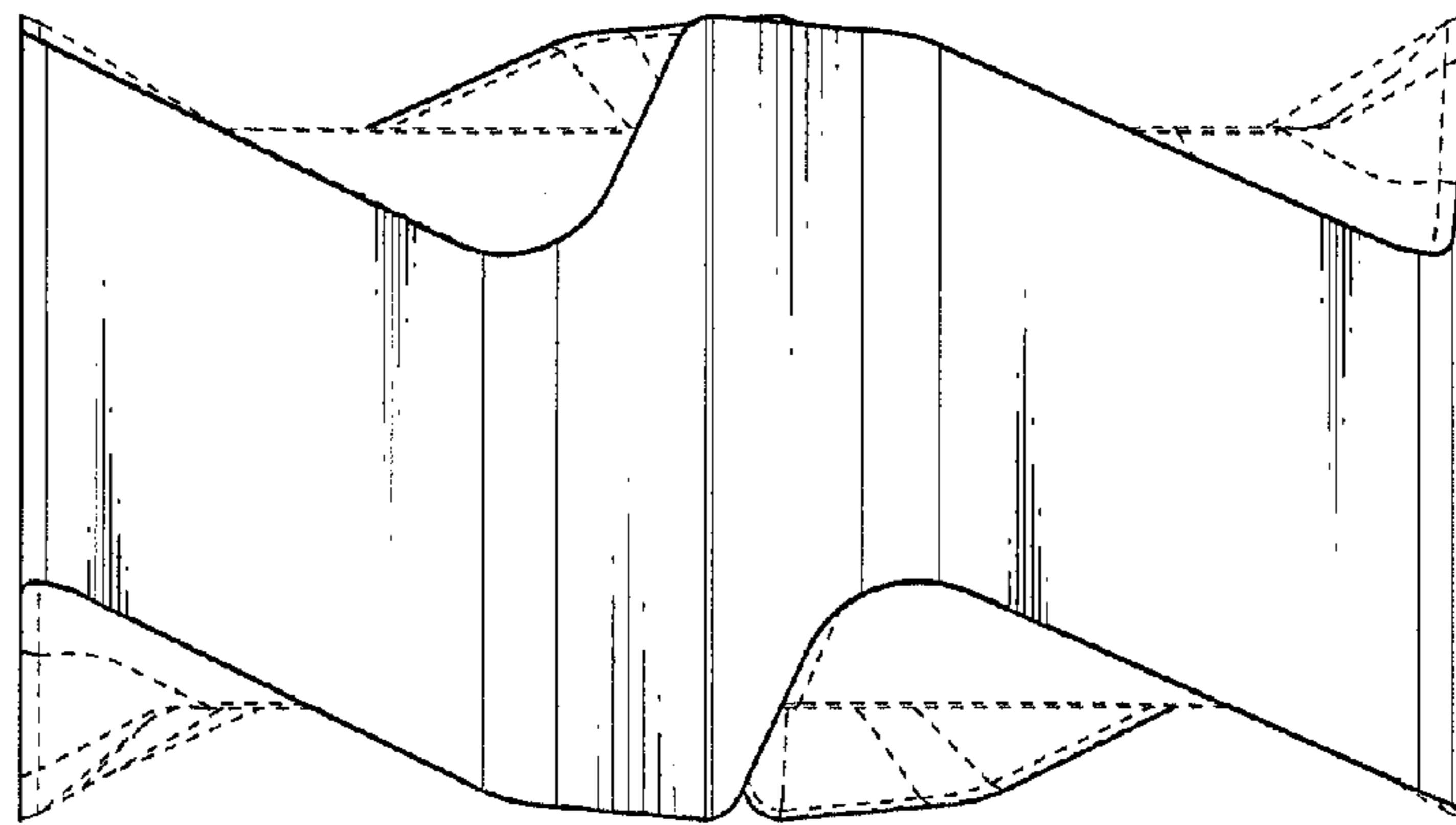


FIG. 13

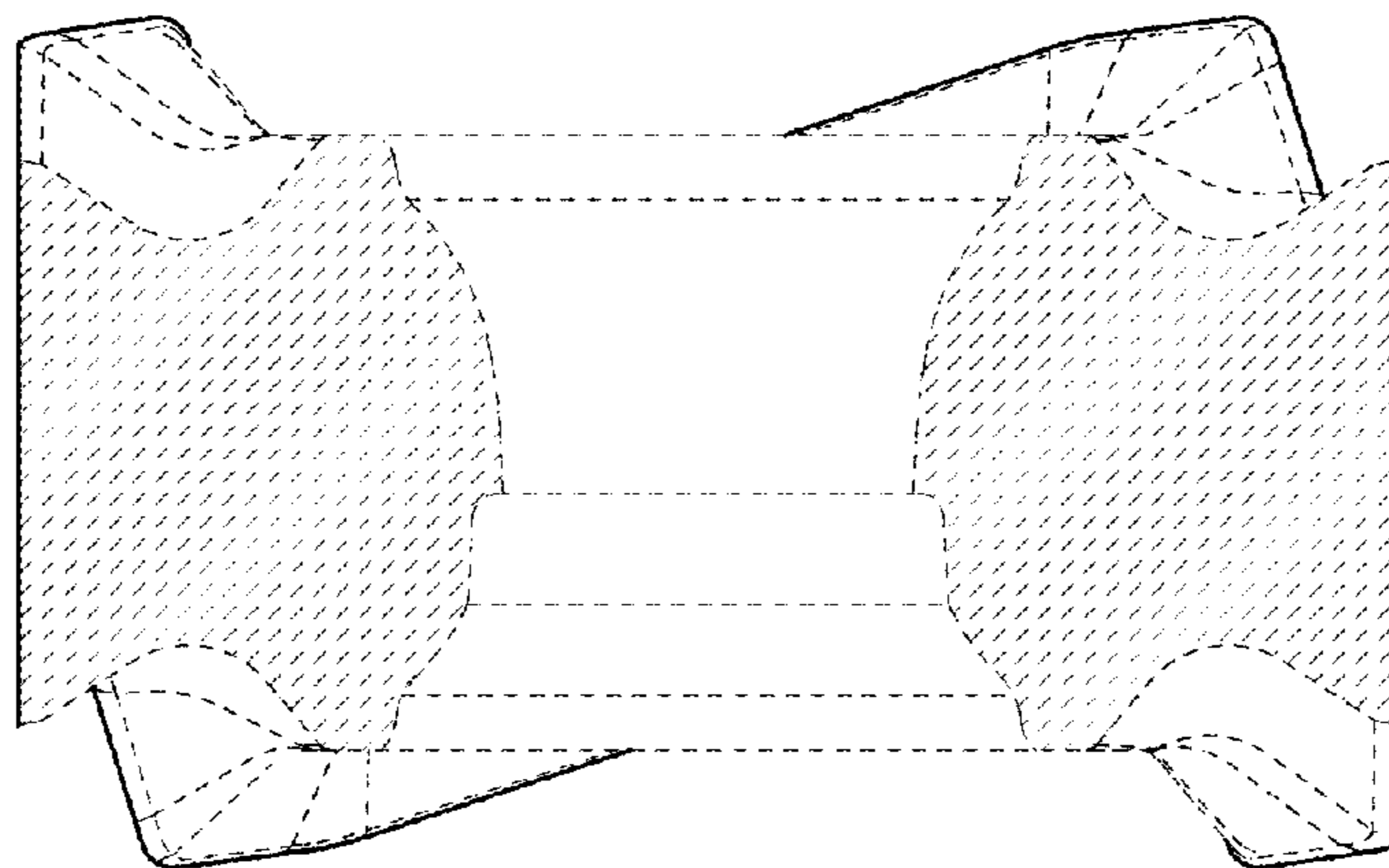


FIG. 14

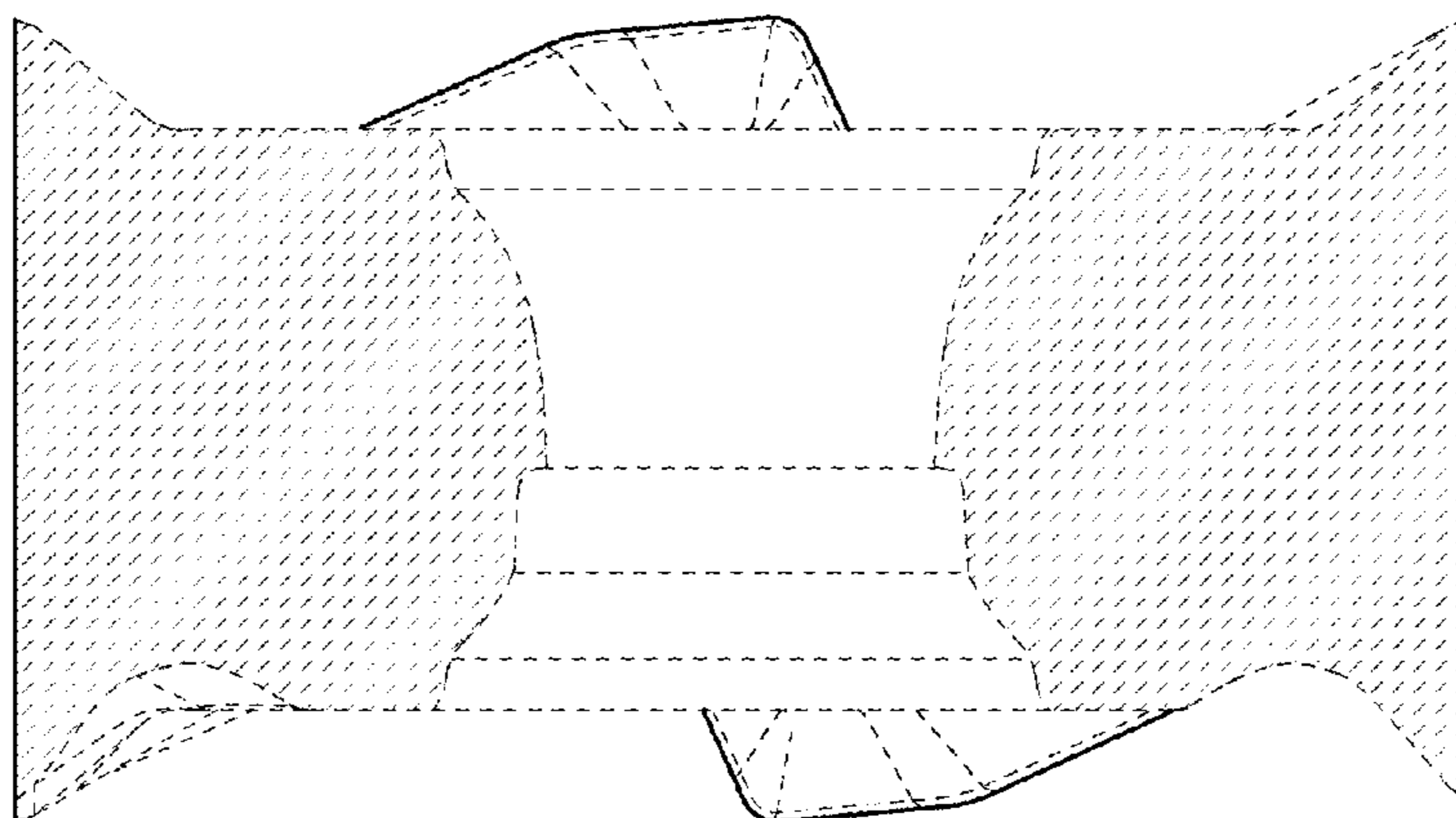


FIG. 15

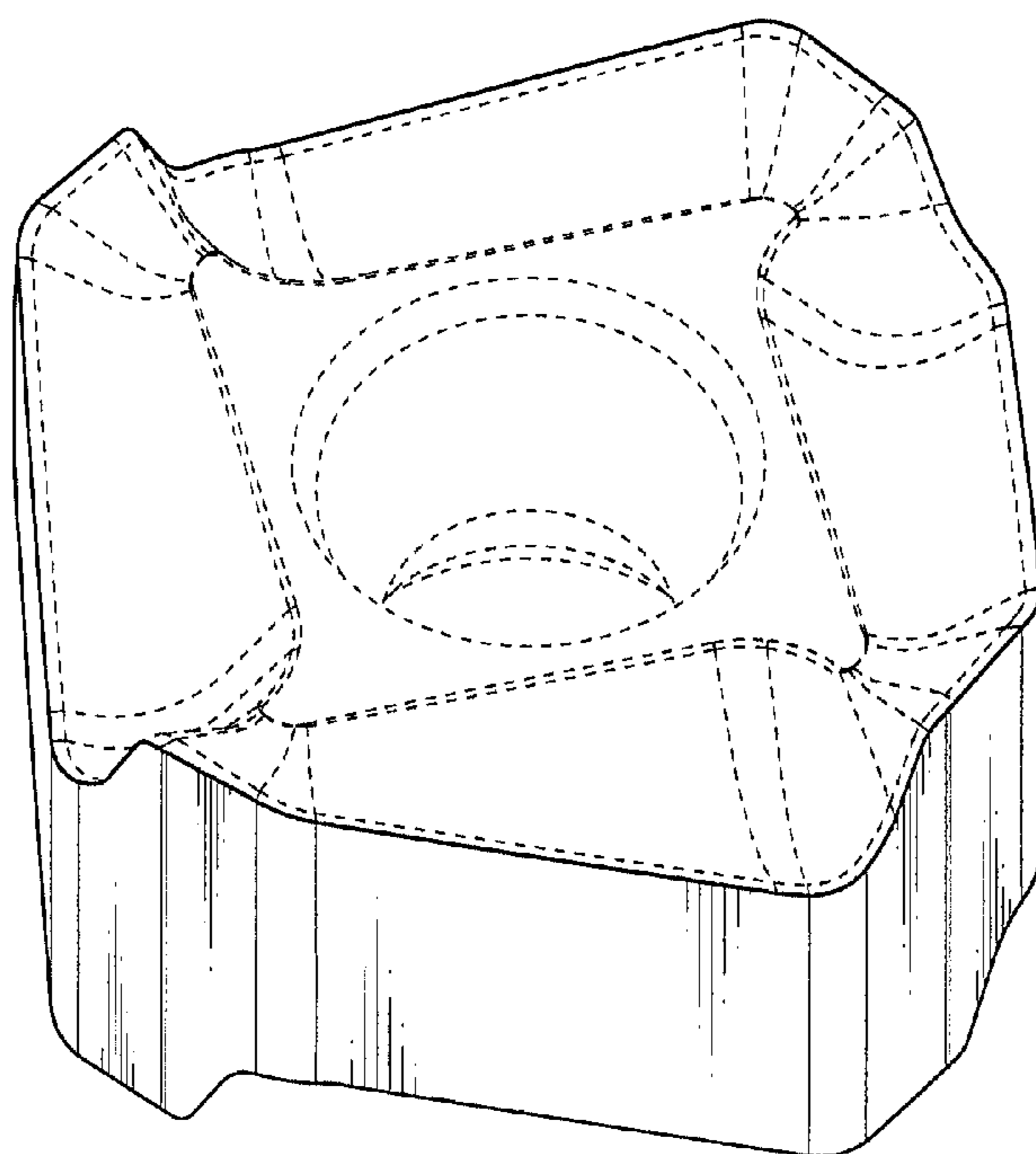


FIG. 16

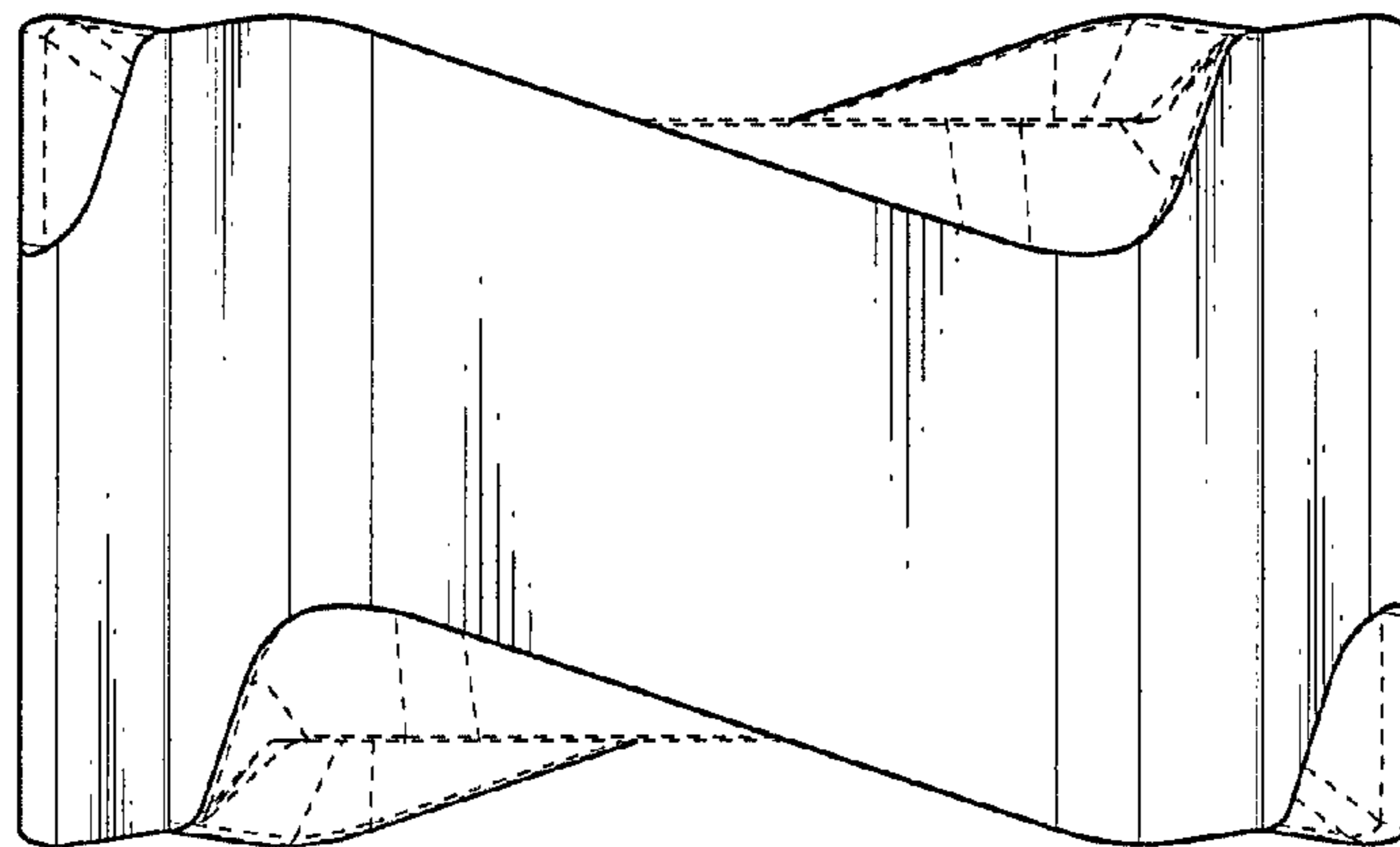


FIG. 17

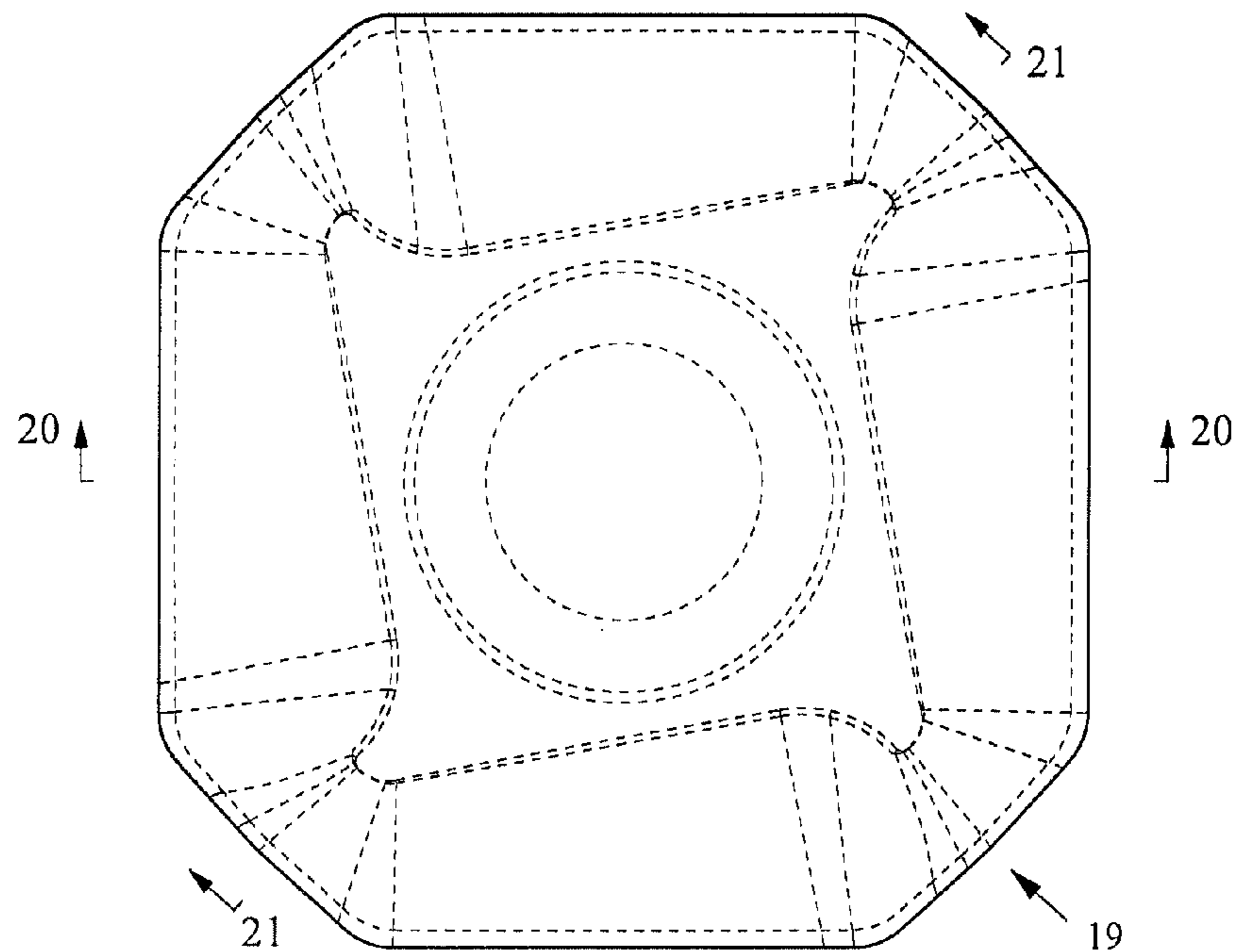


FIG. 18

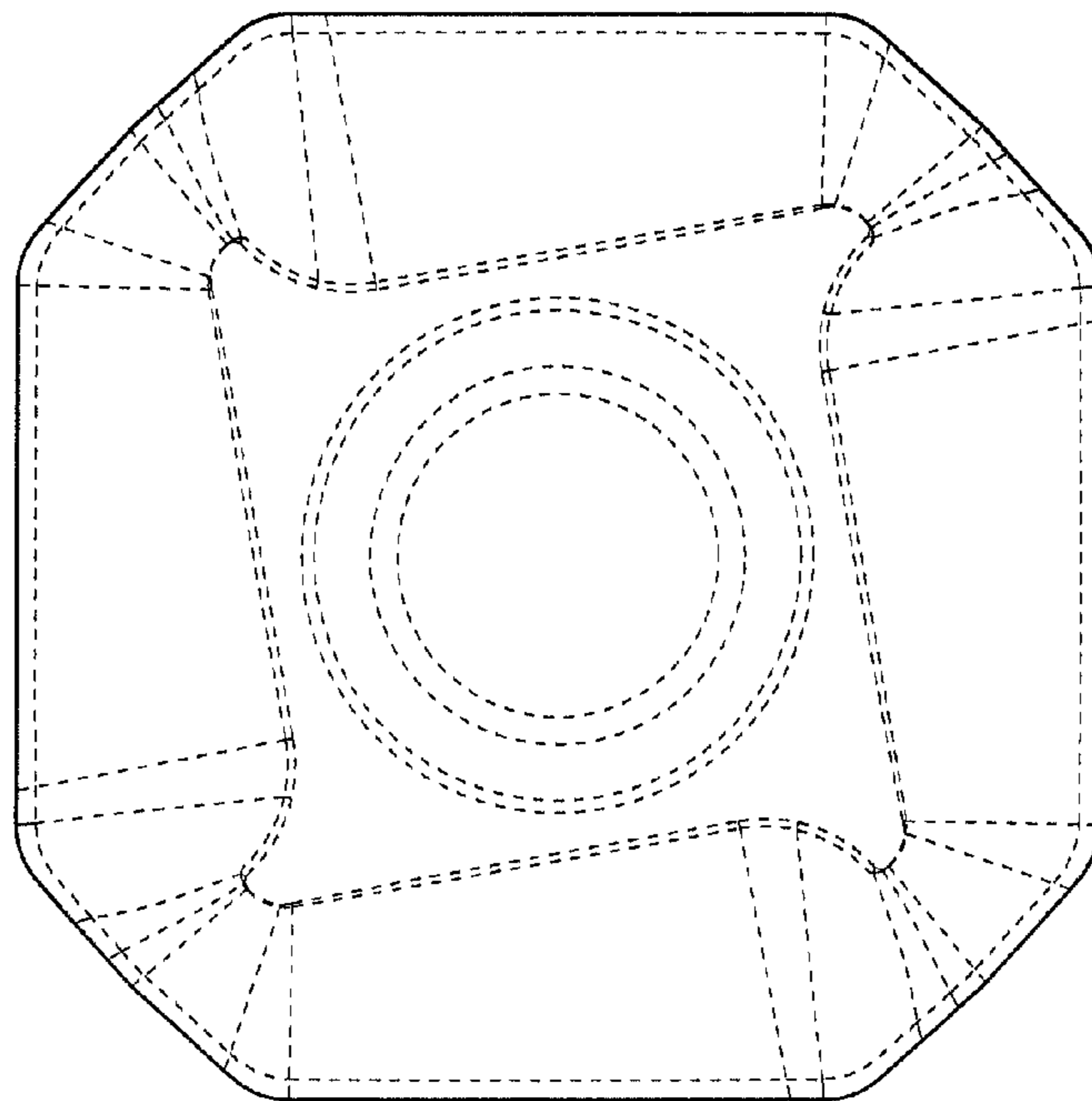


FIG. 19

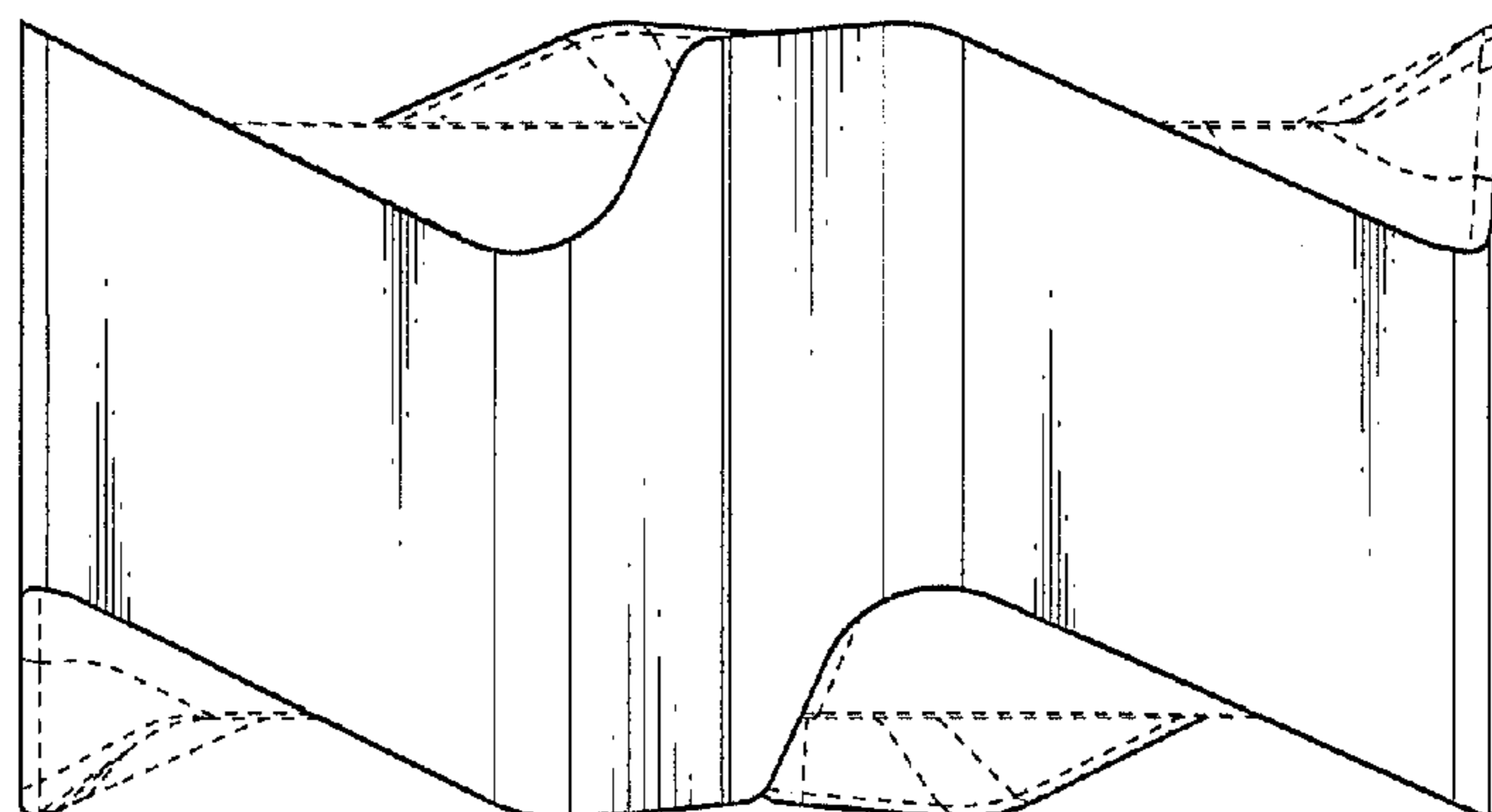


FIG. 20

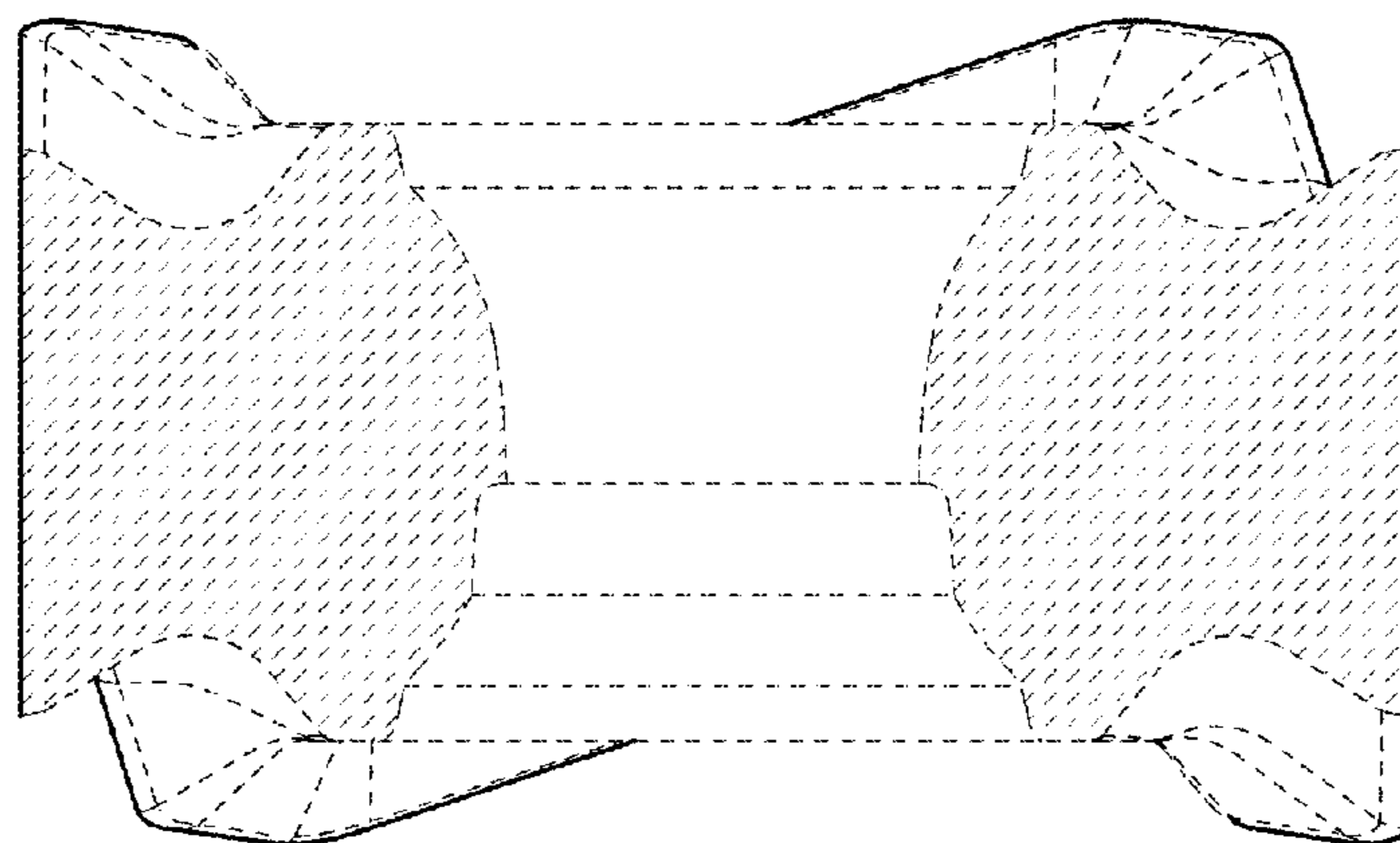


FIG. 21

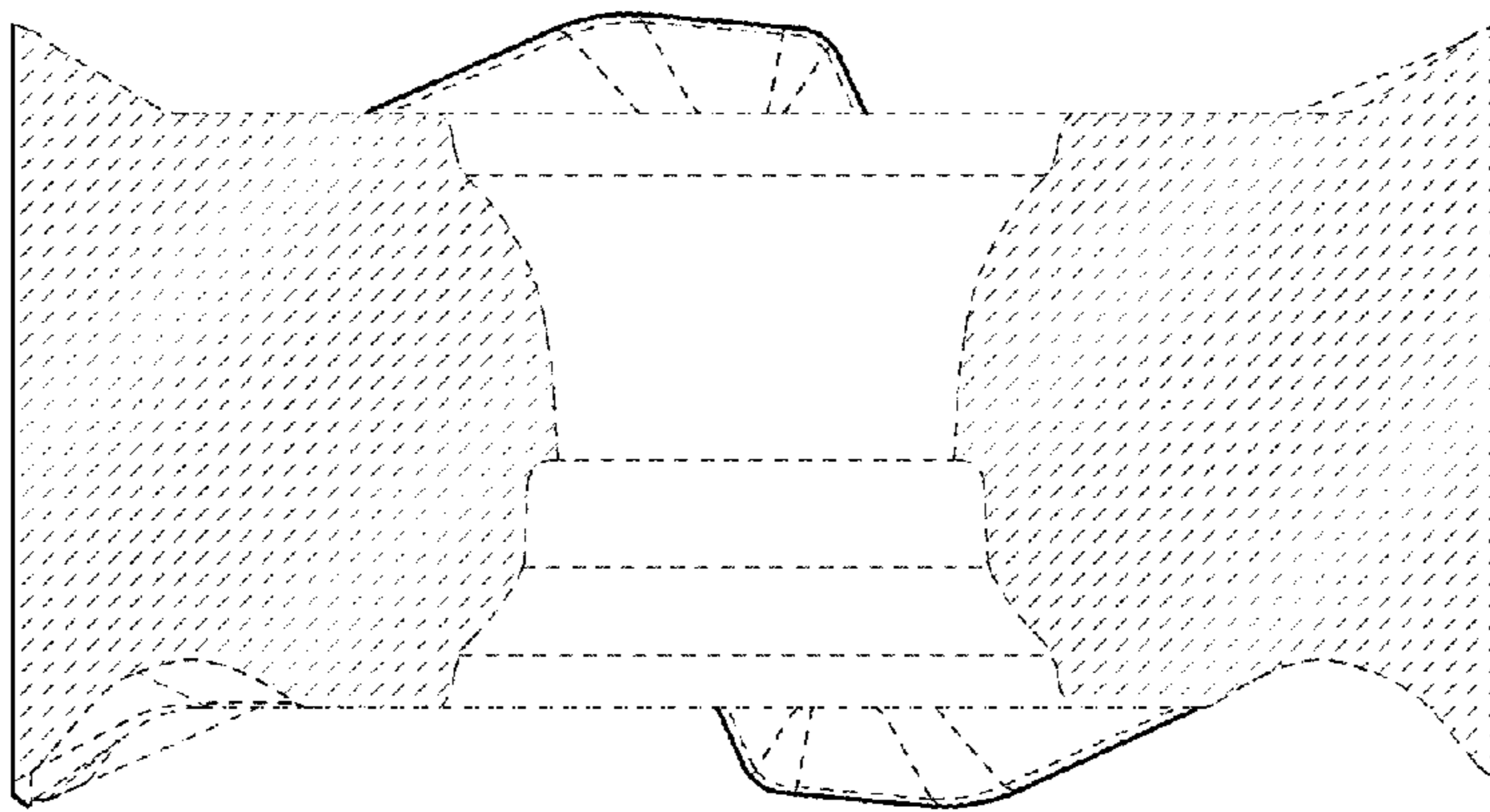


FIG. 22

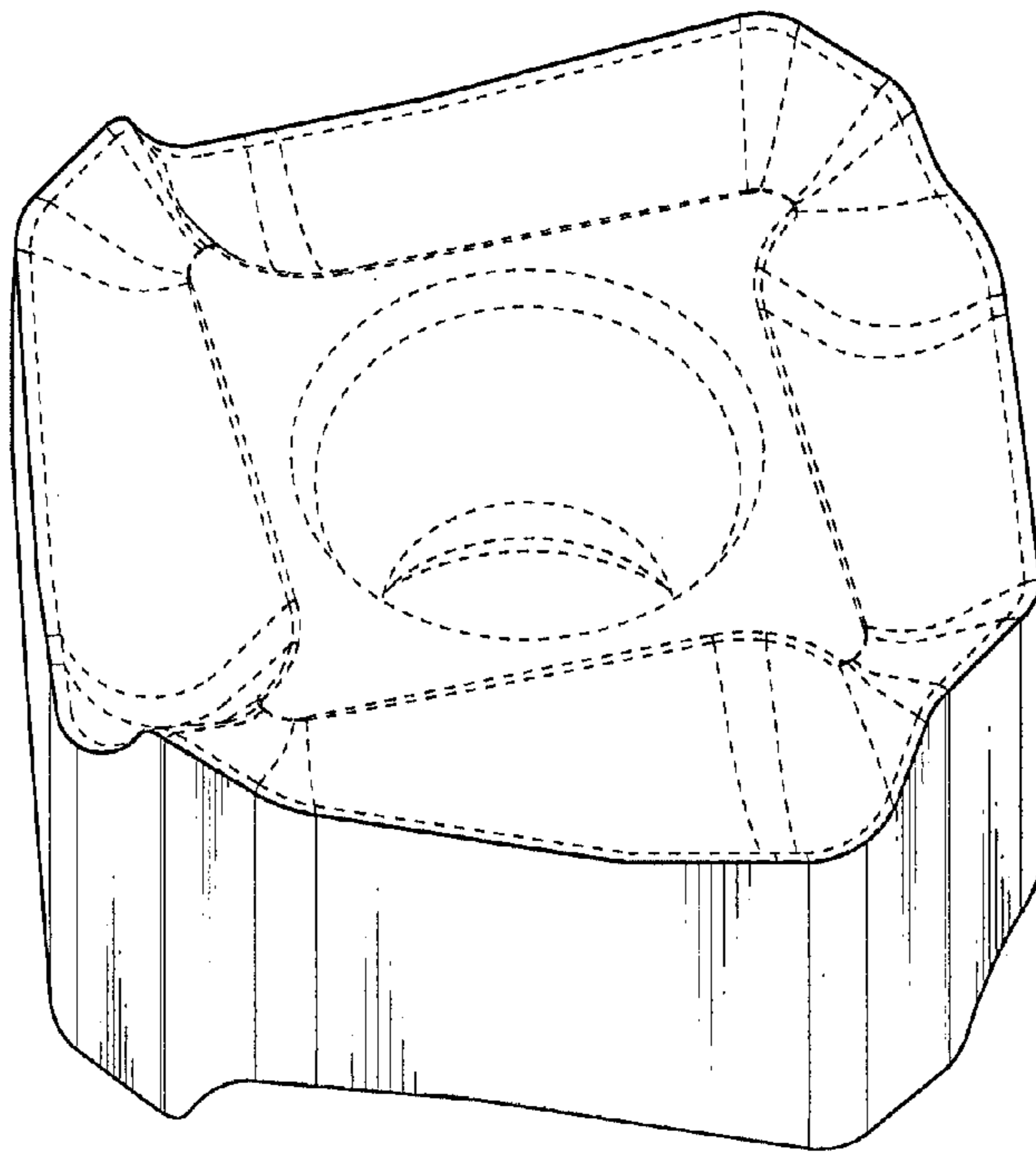


FIG. 23

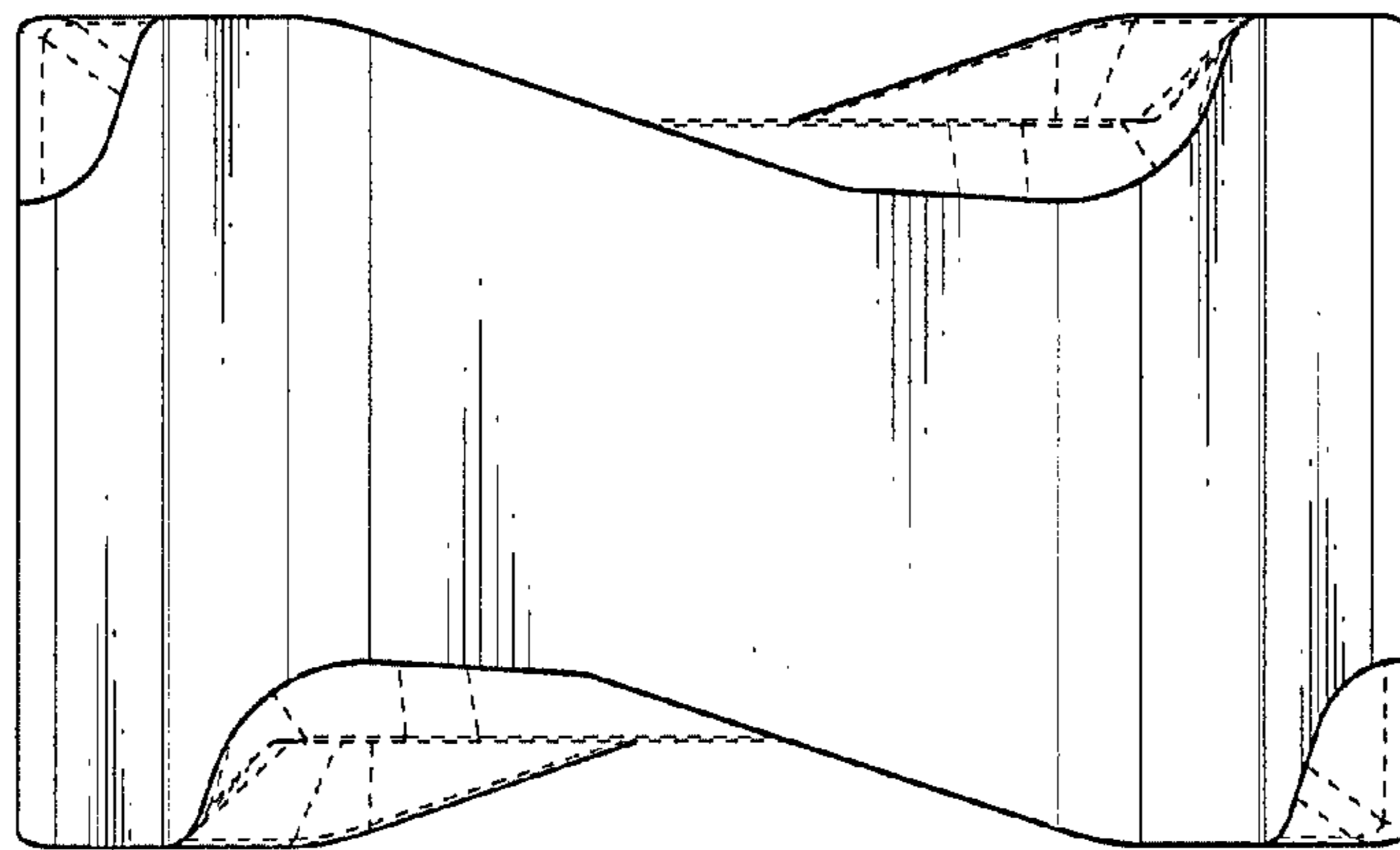


FIG. 24

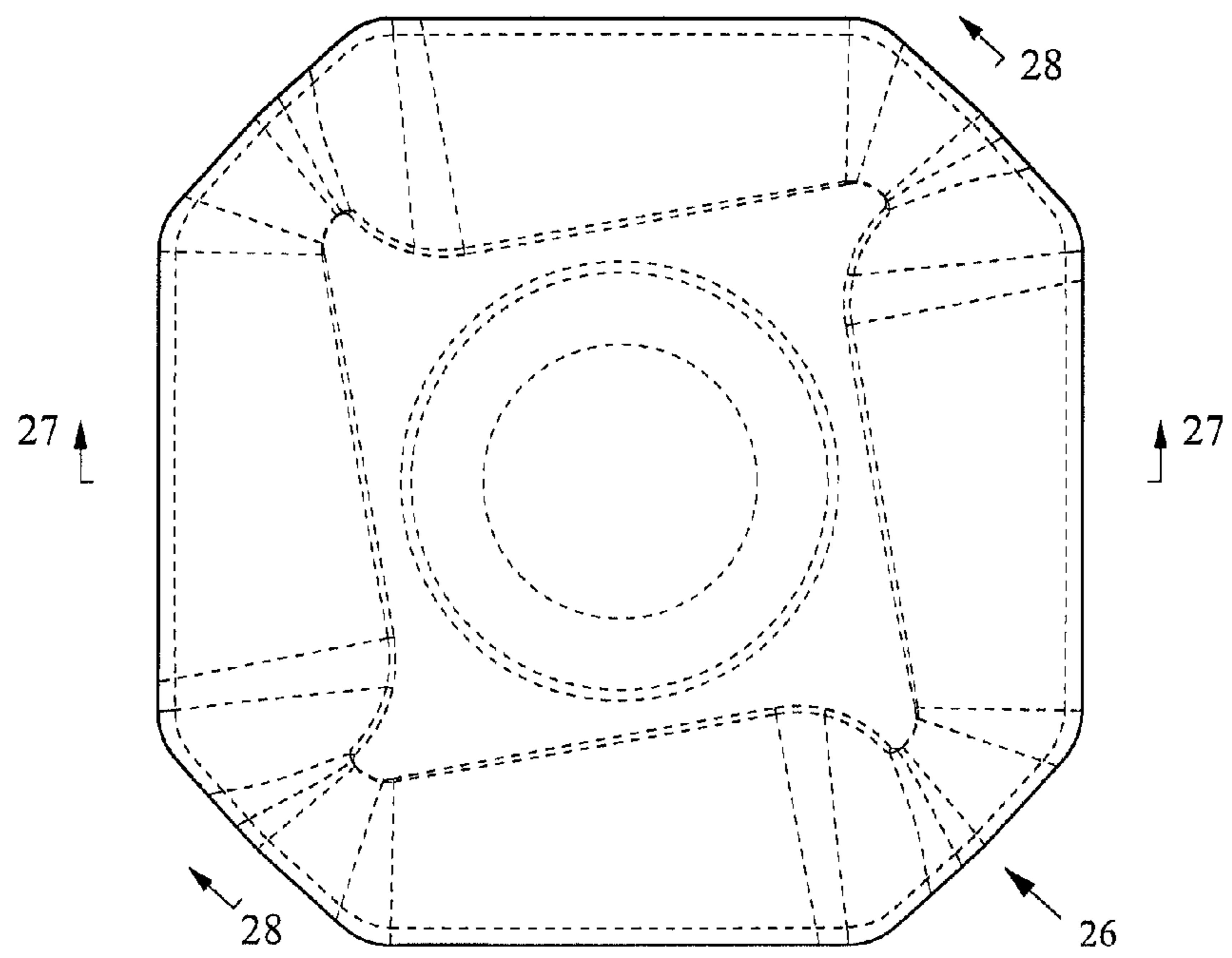


FIG. 25

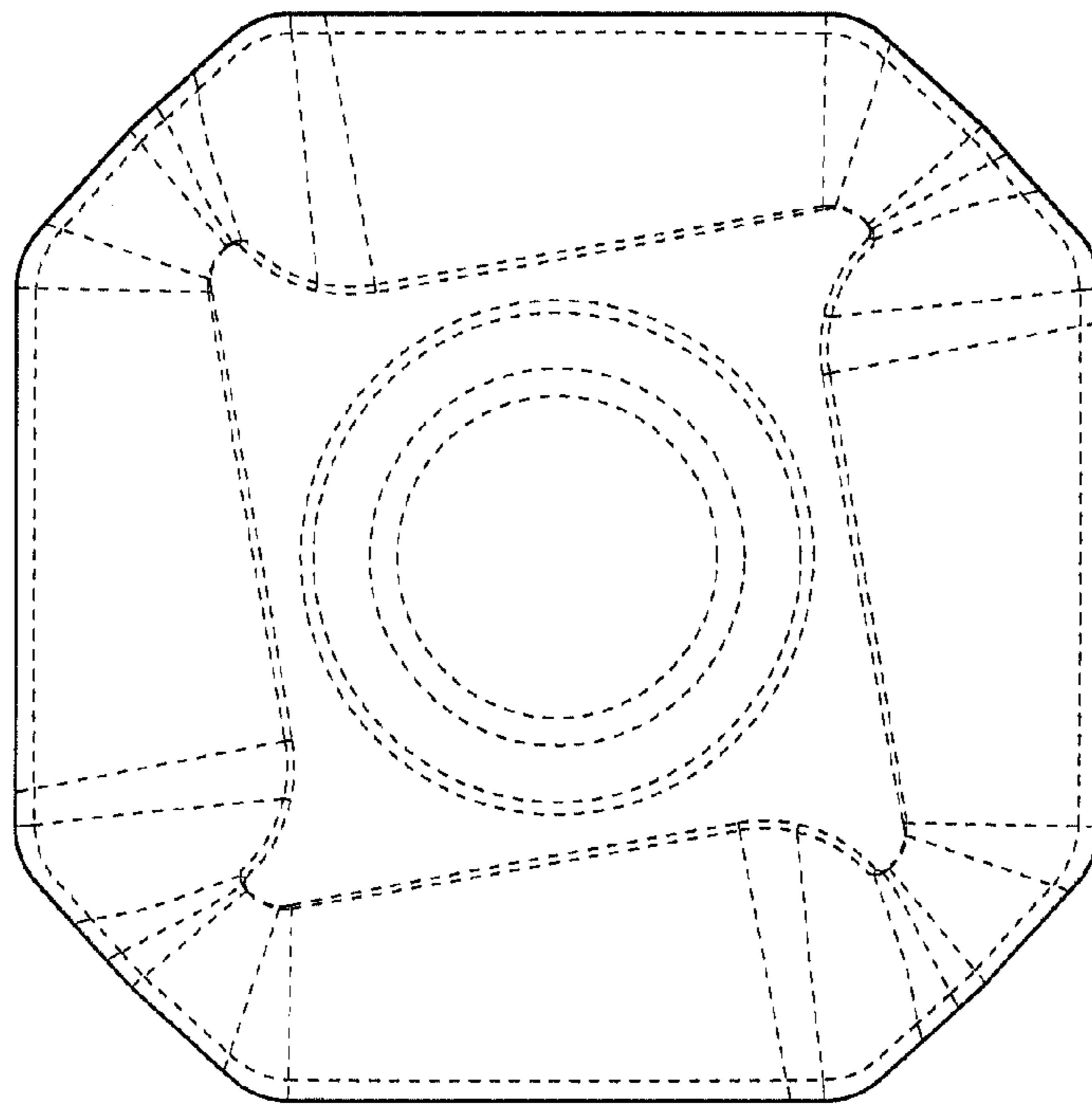


FIG. 26

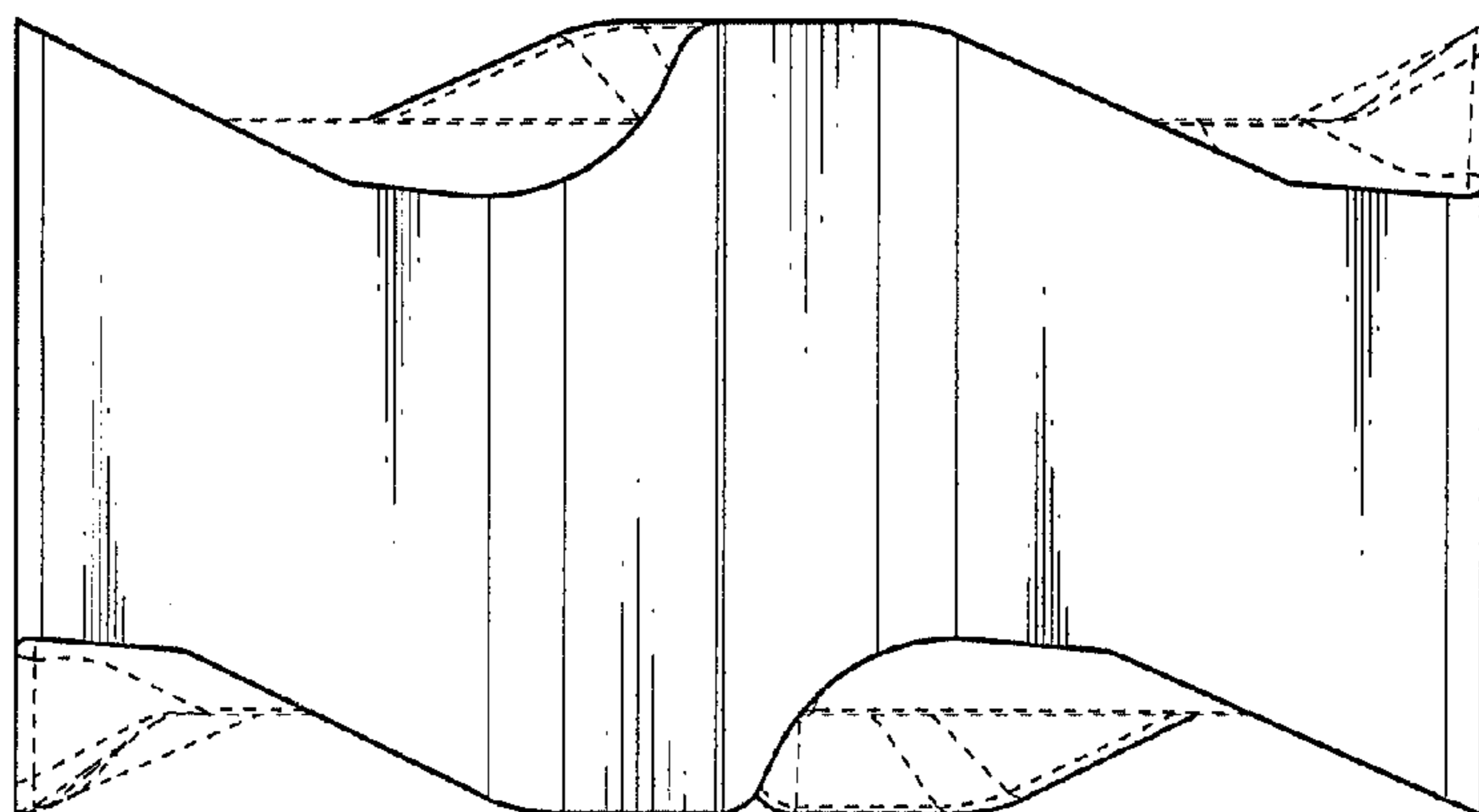


FIG. 27

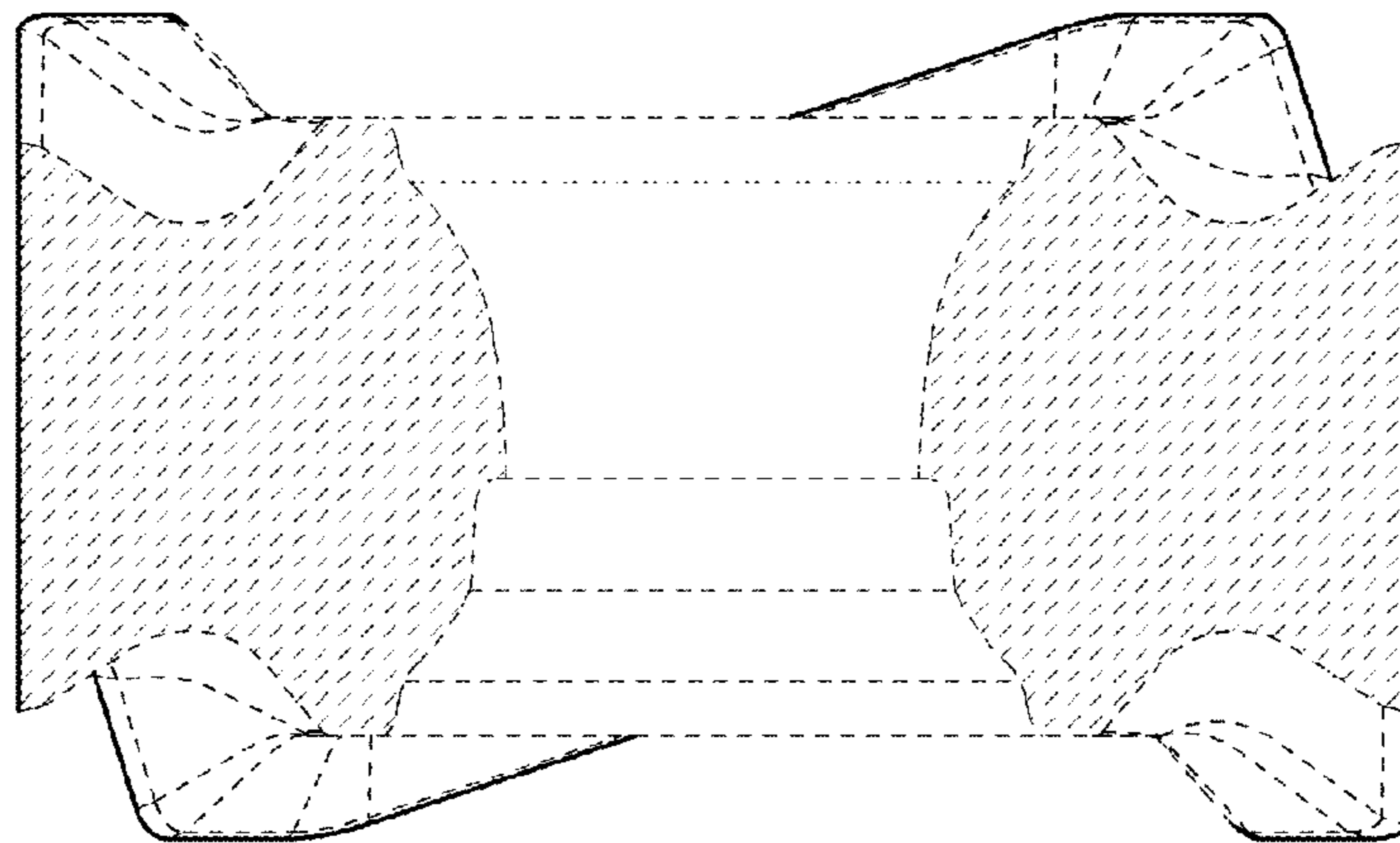


FIG. 28

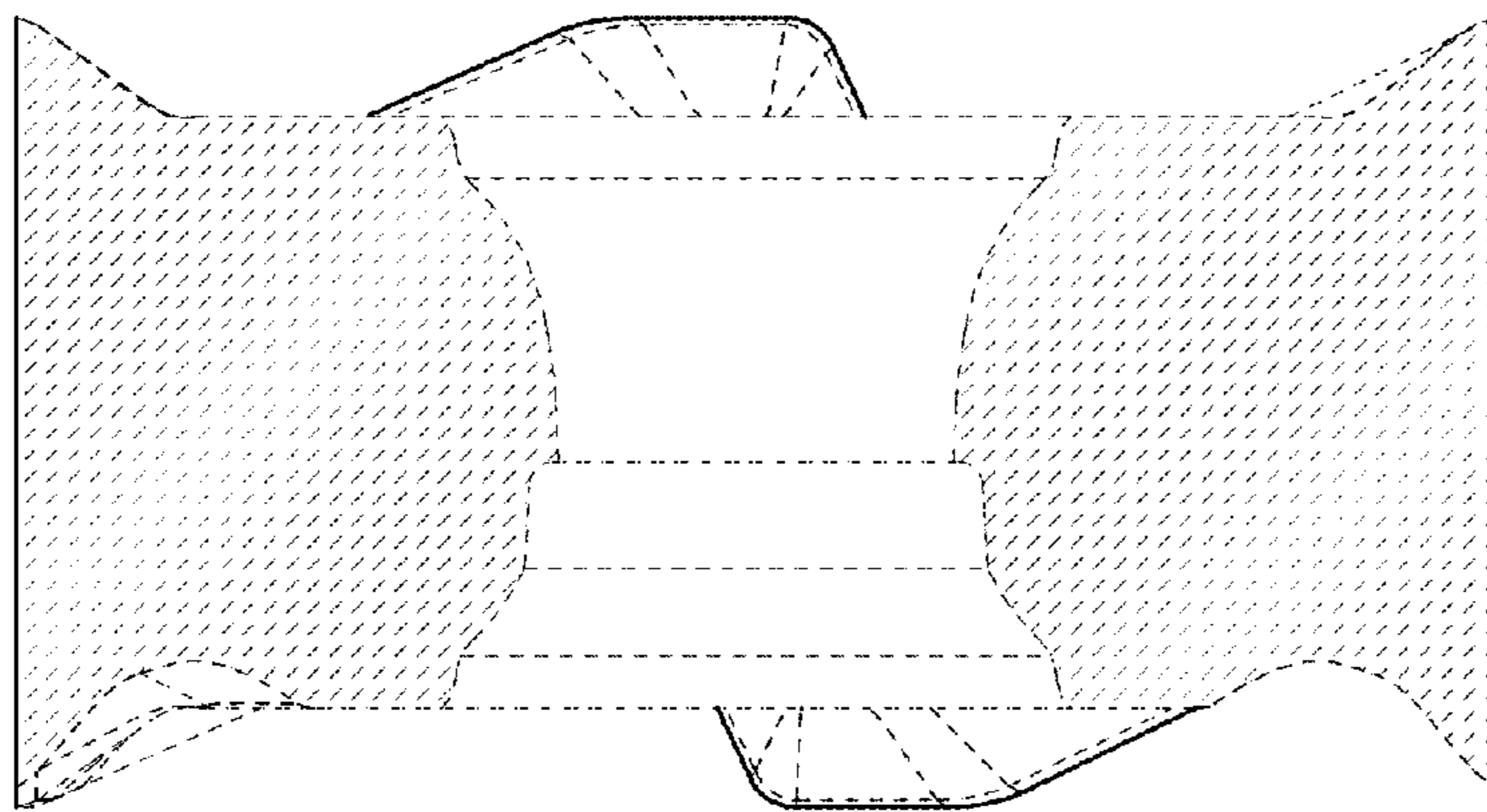


FIG. 29

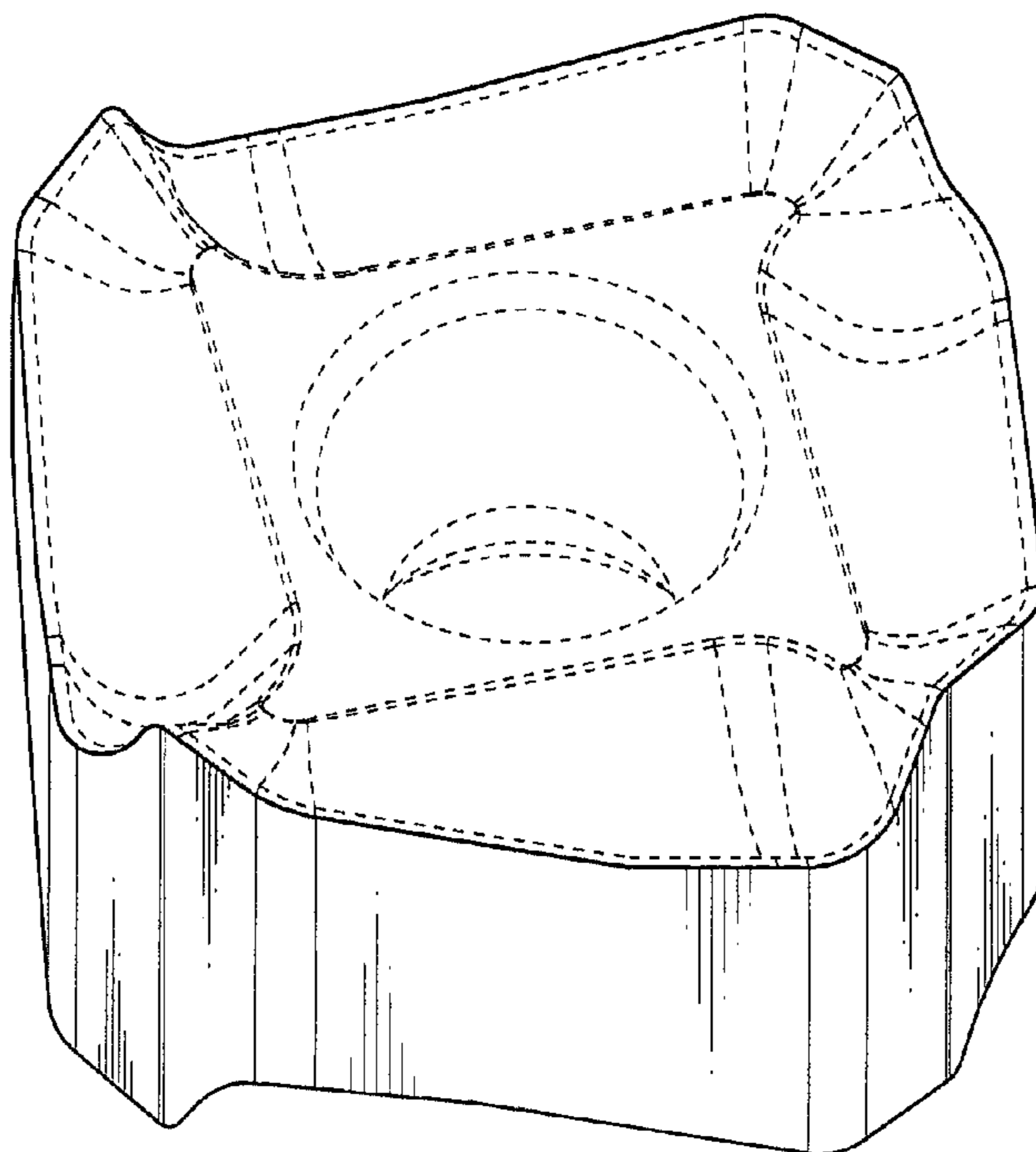


FIG. 30

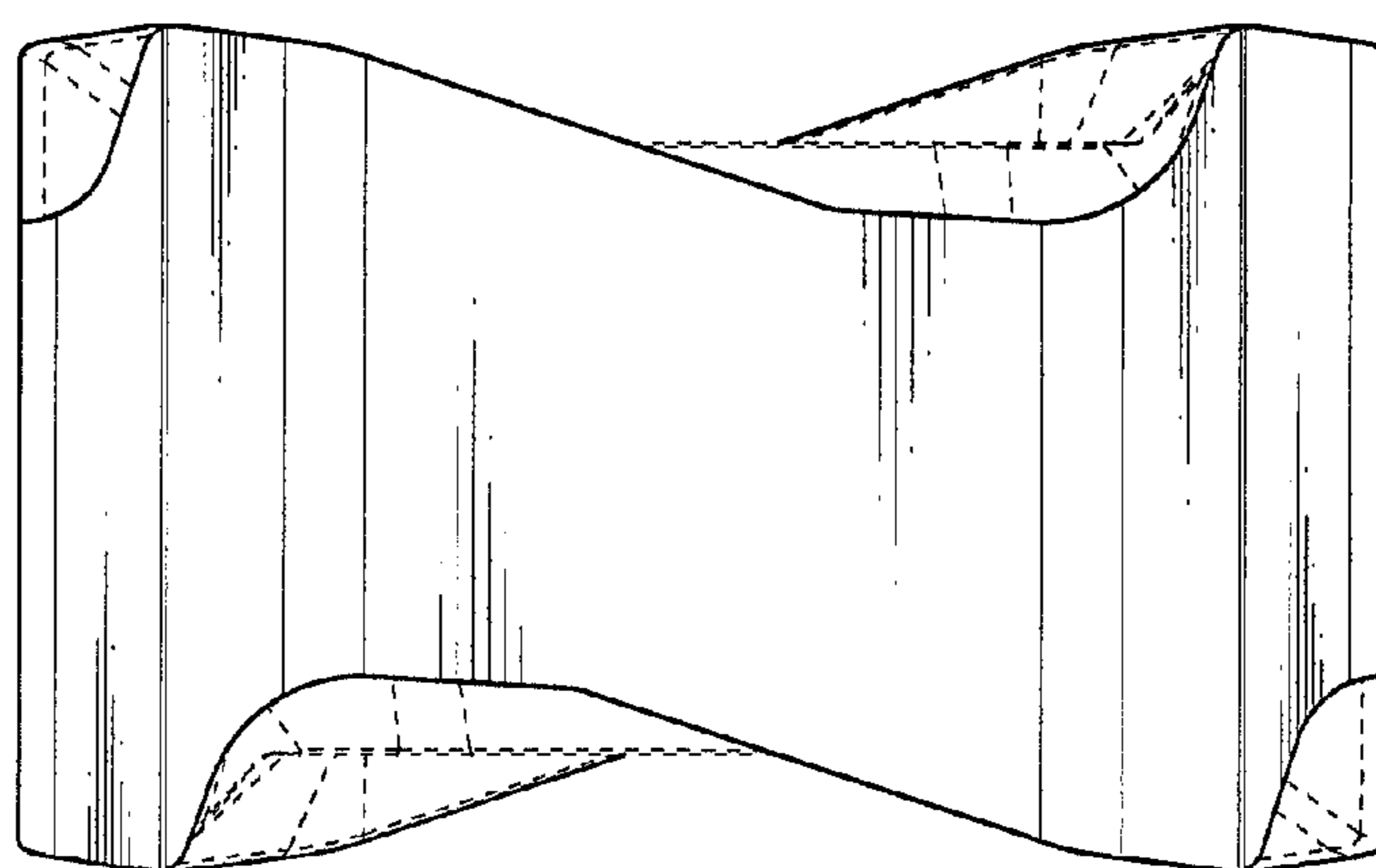


FIG. 31

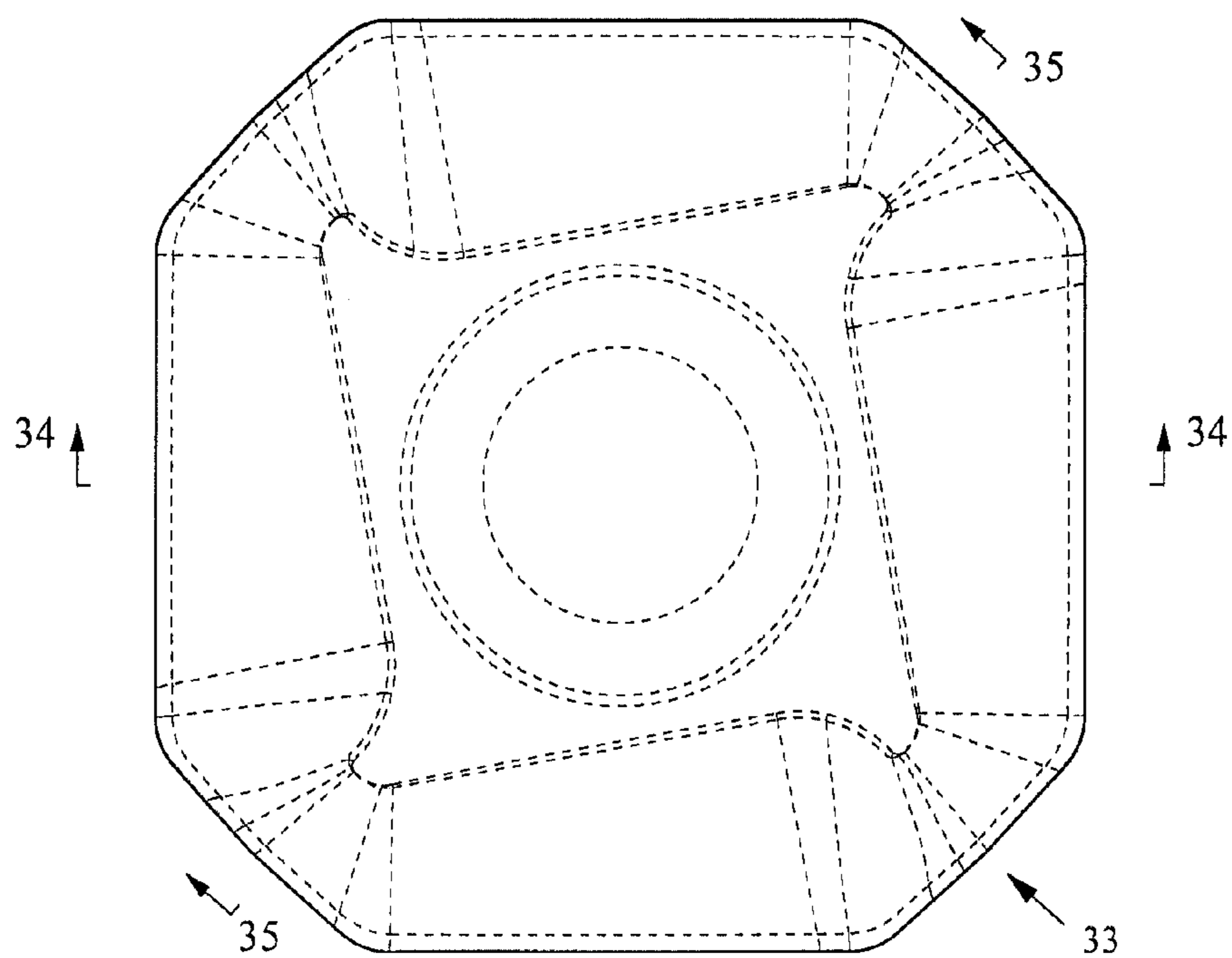


FIG. 32

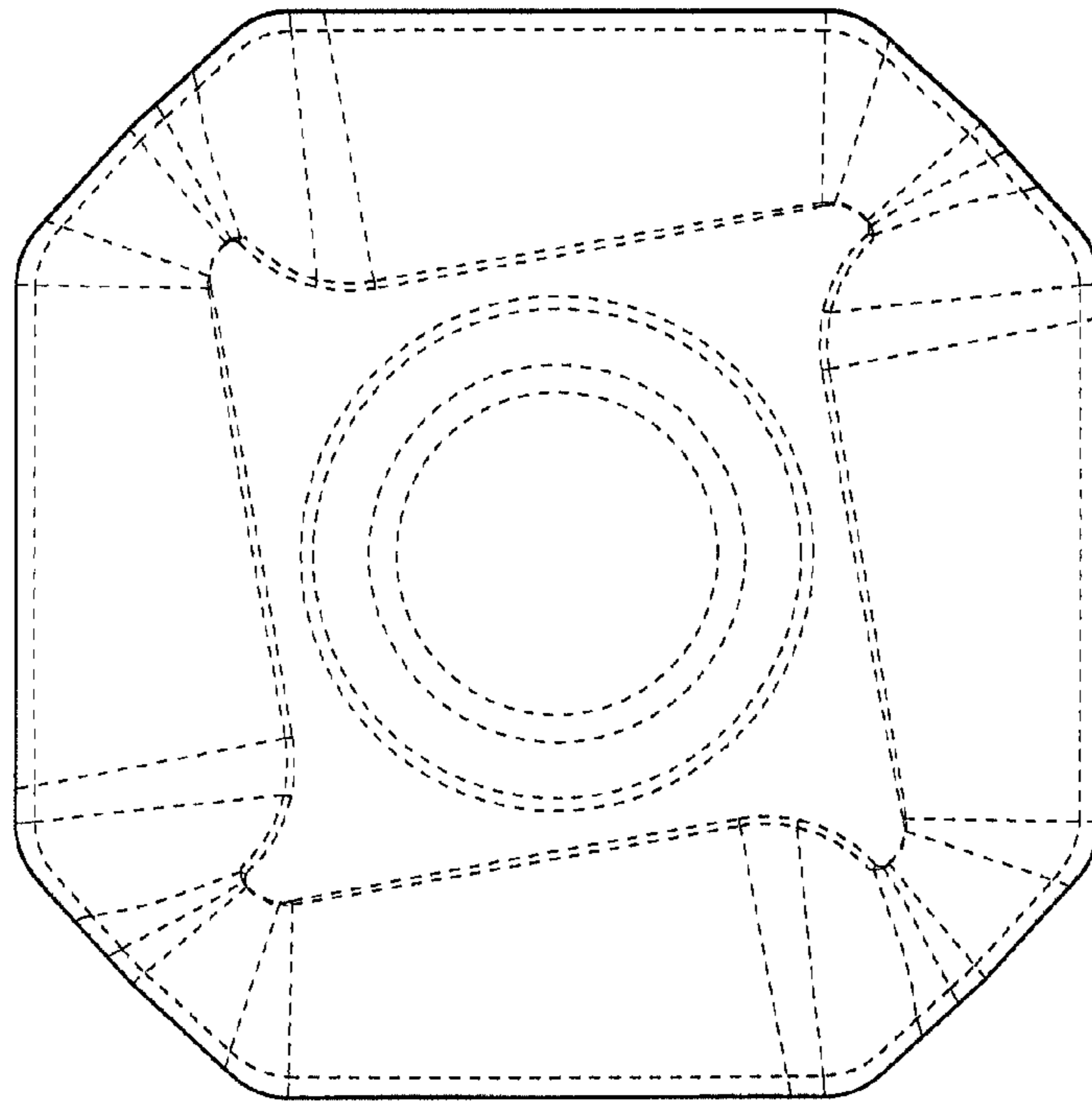


FIG. 33

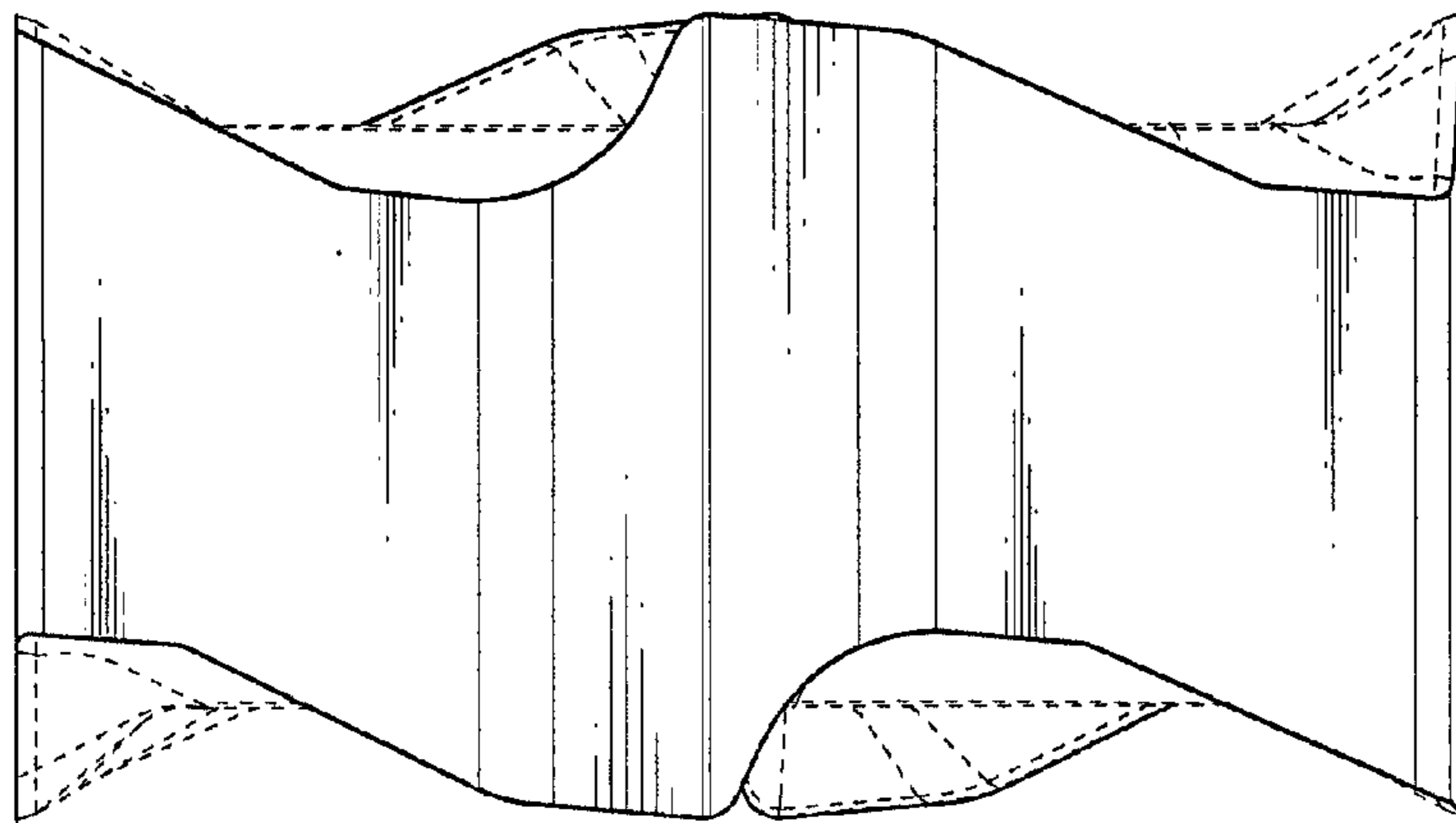


FIG. 34

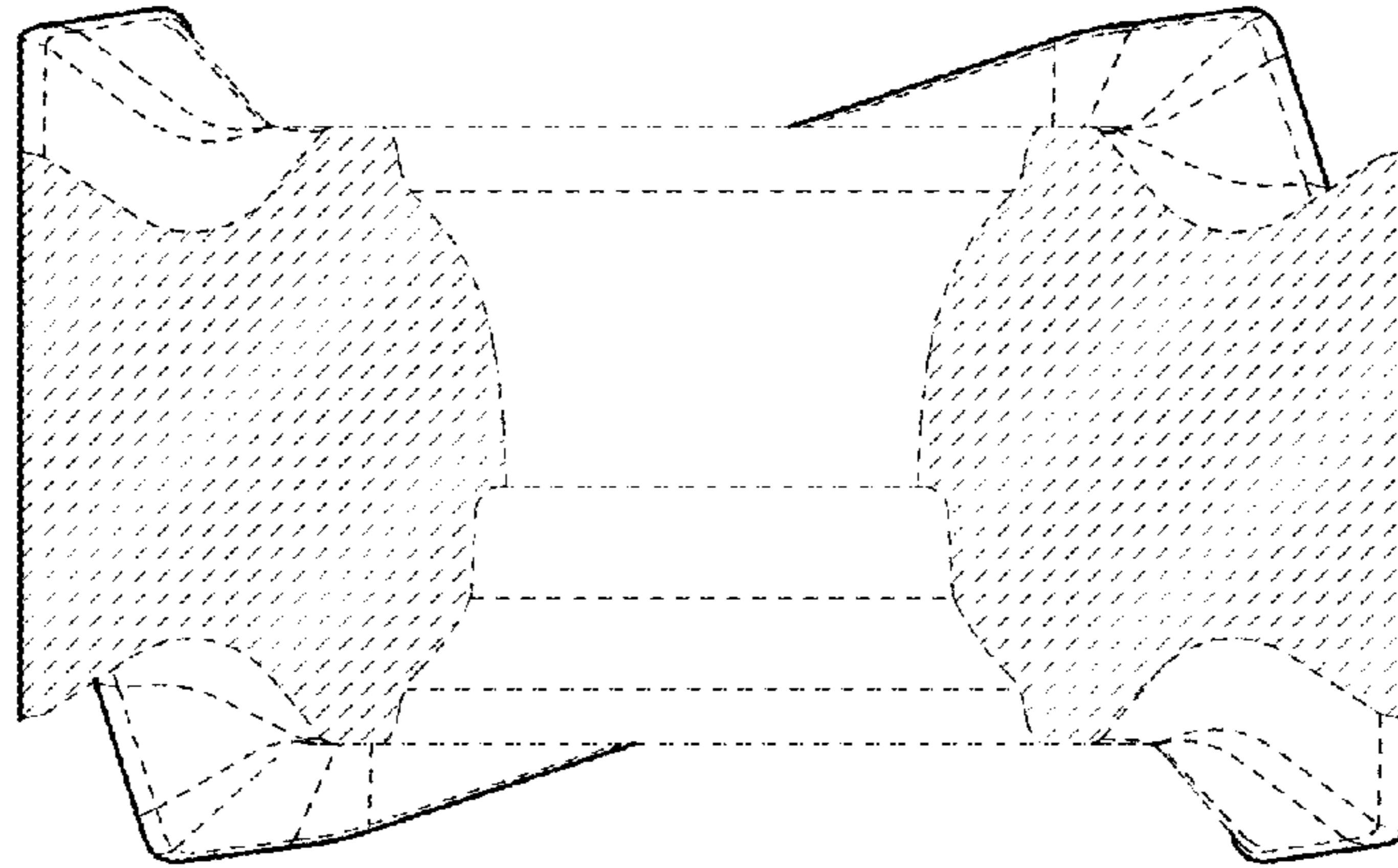


FIG. 35

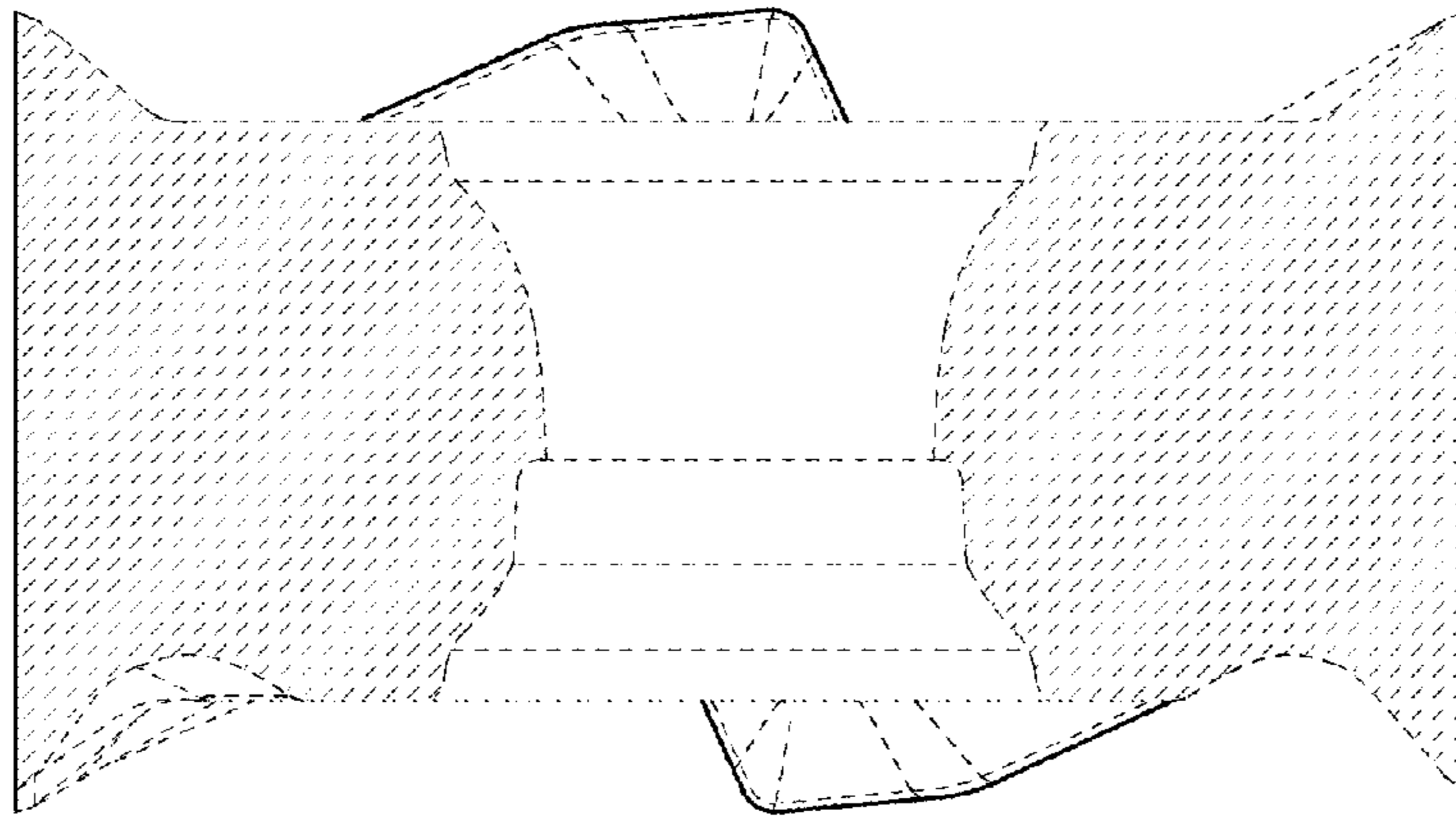


FIG. 36

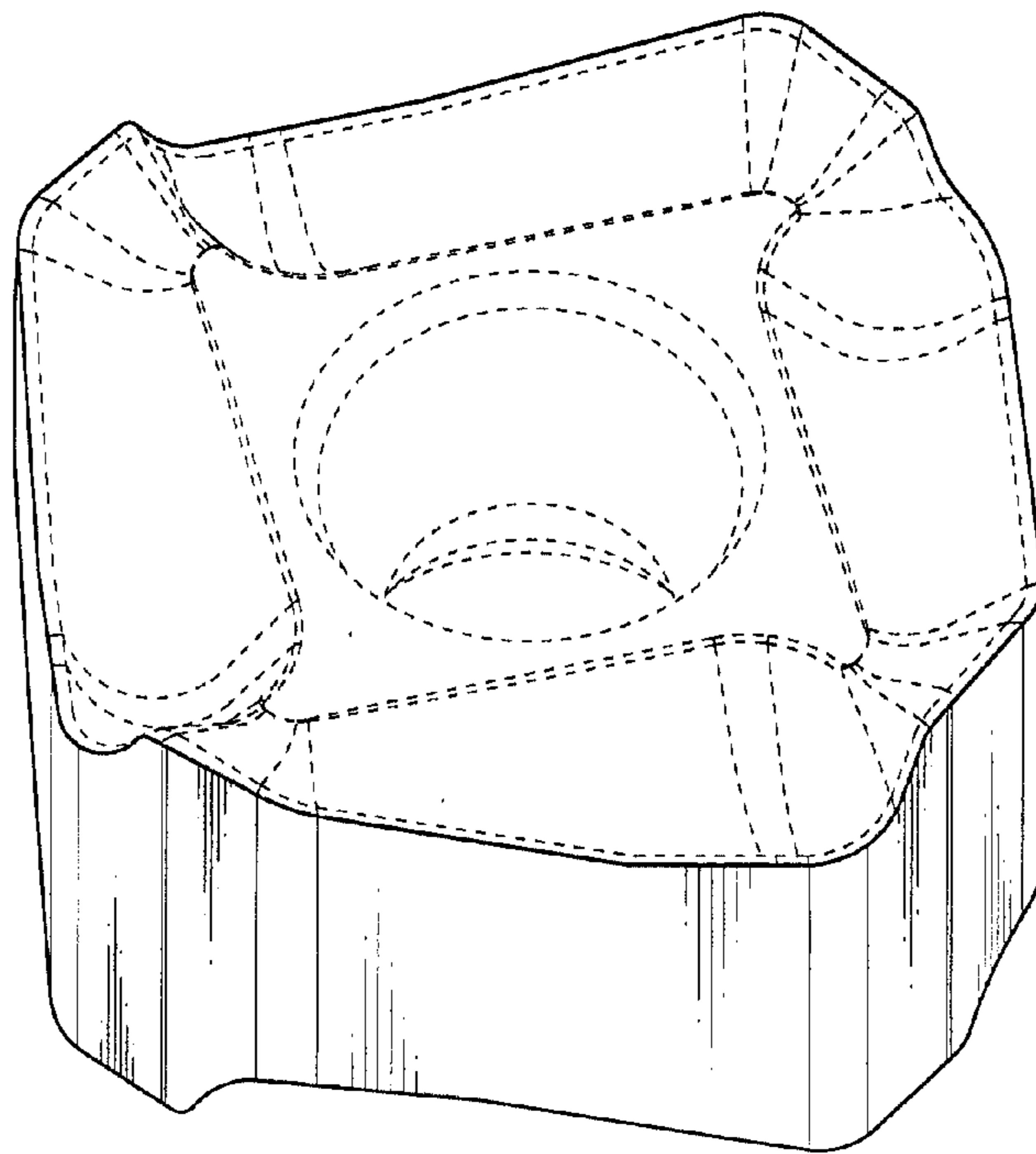


FIG. 37

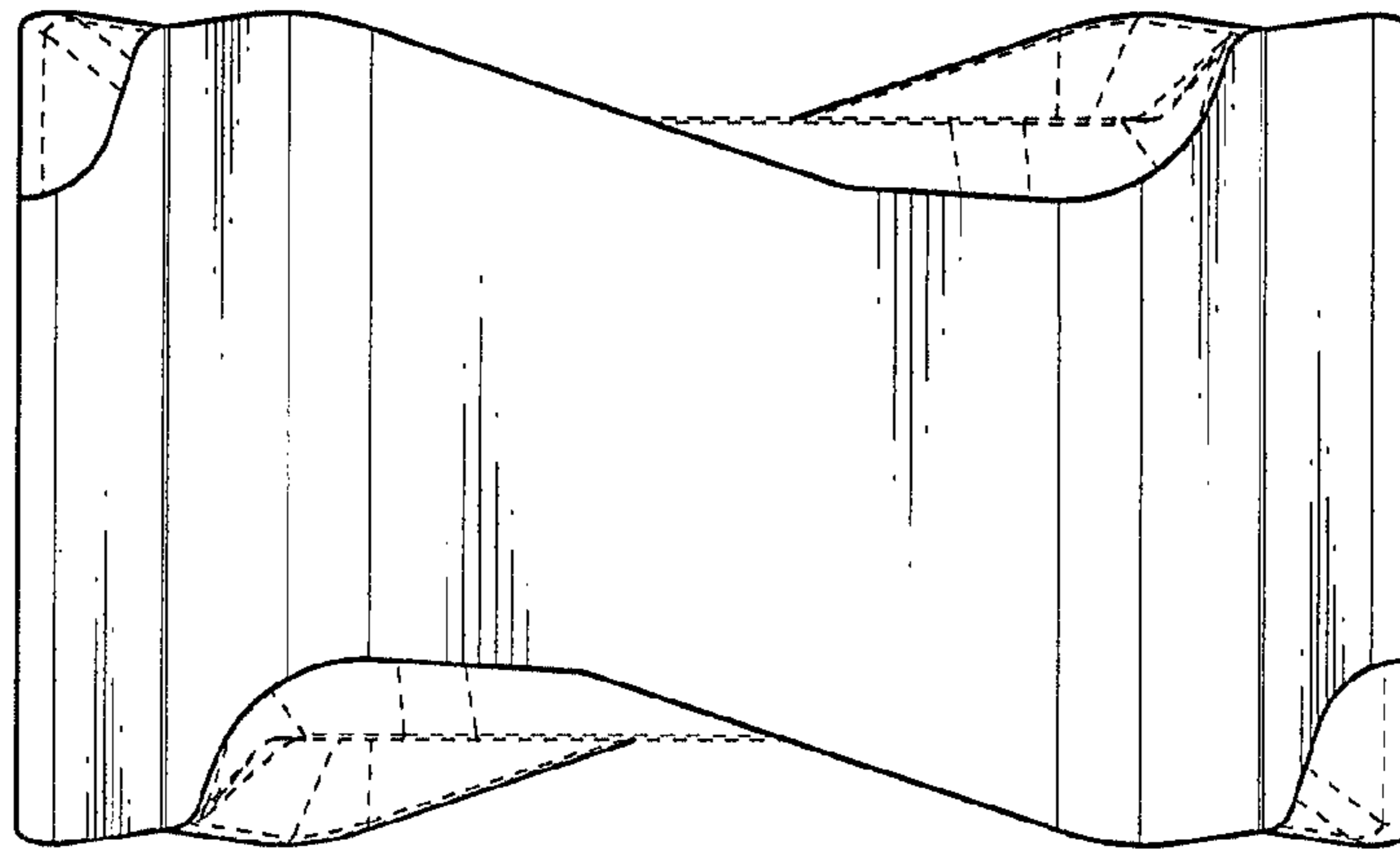


FIG. 38

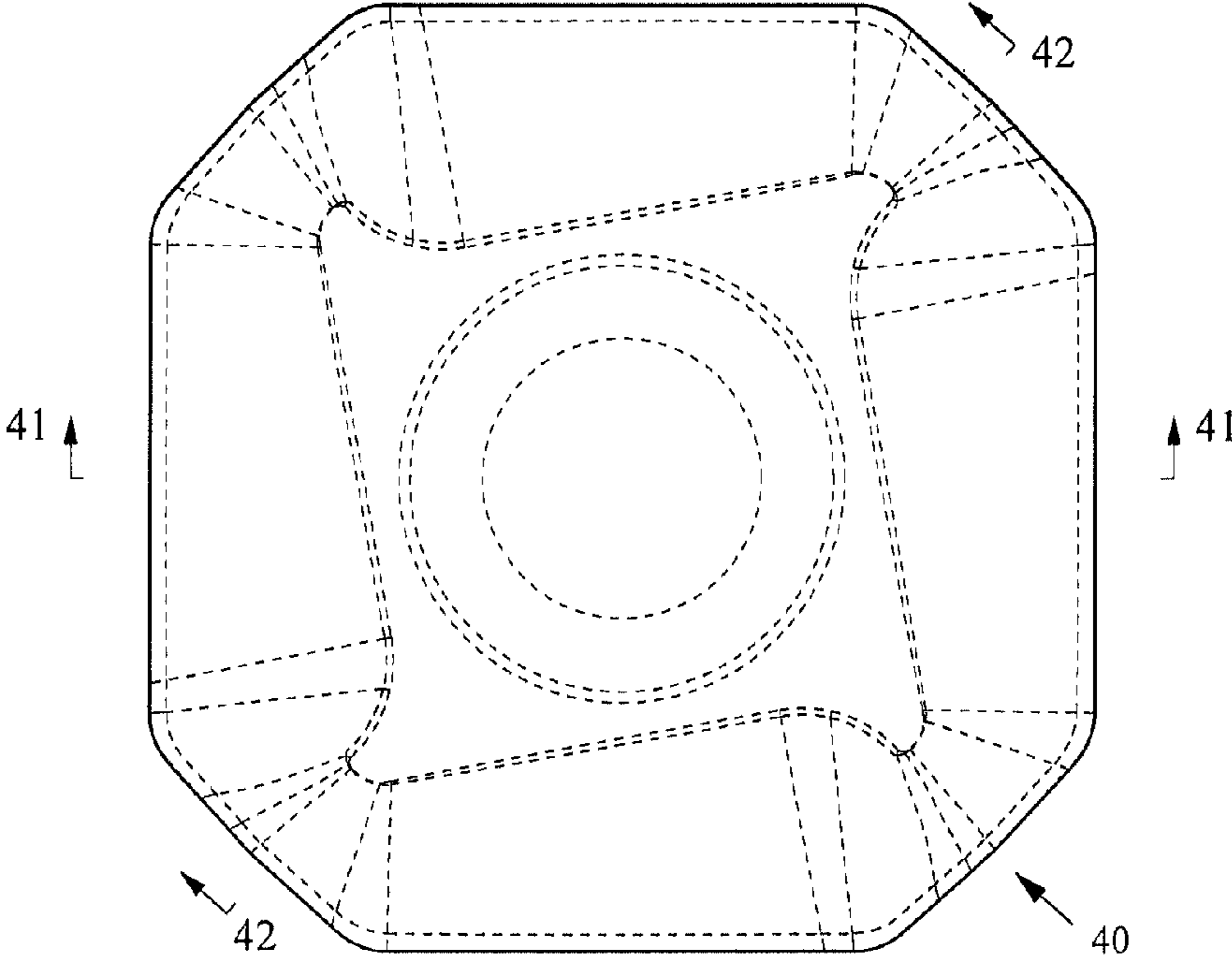


FIG. 39

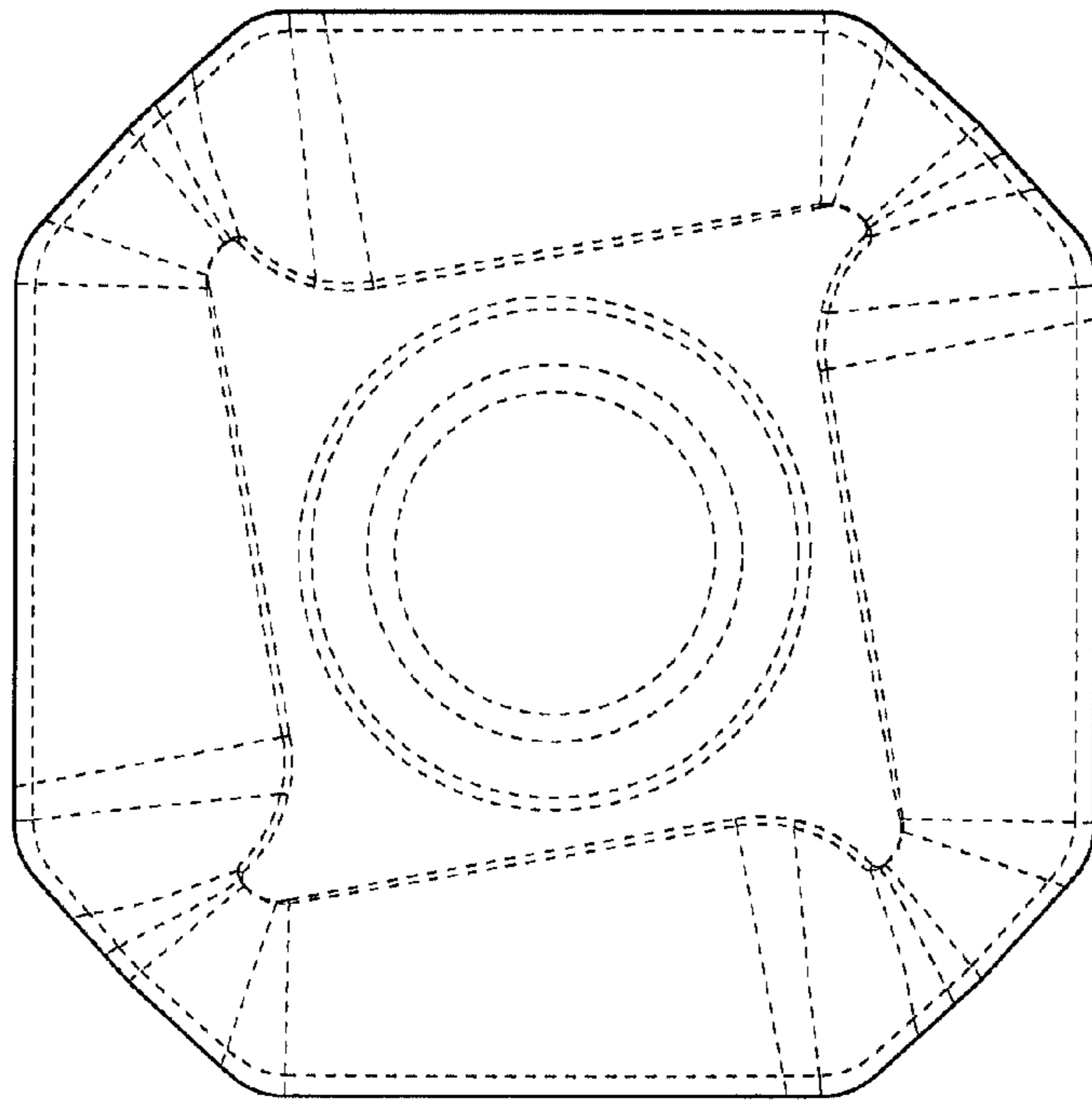


FIG. 40

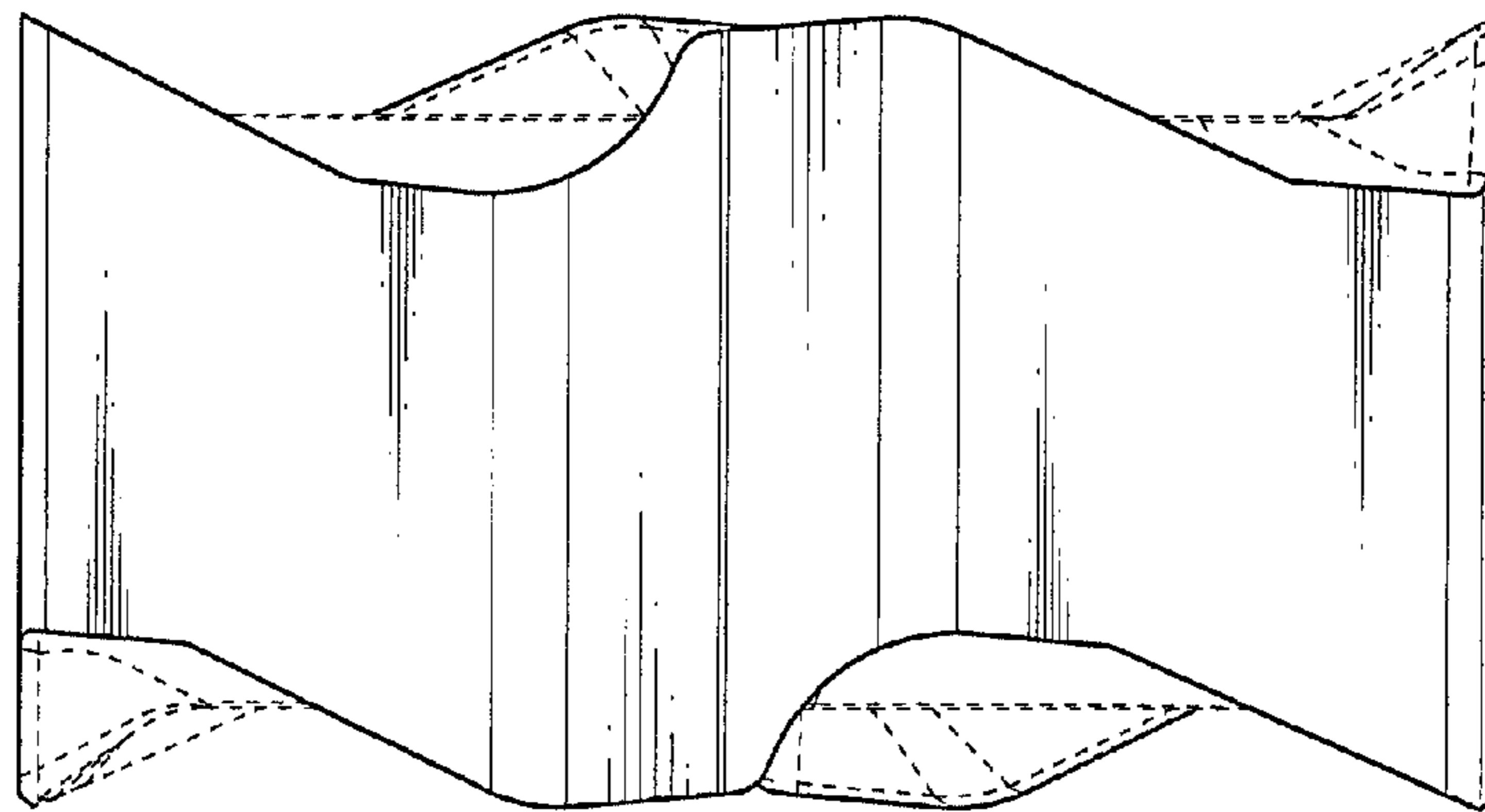


FIG. 41

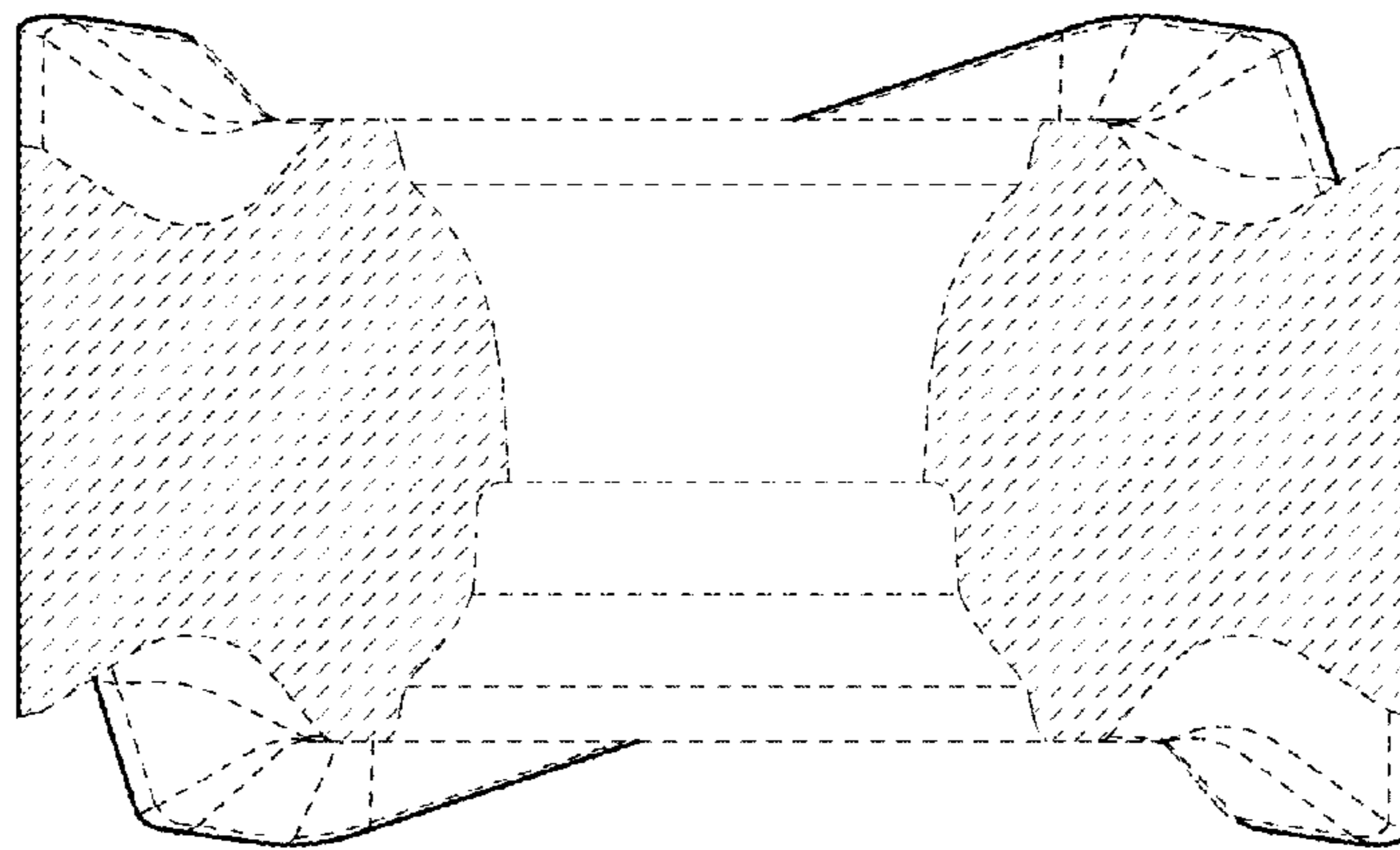


FIG. 42

