



US00D705827S

(12) **United States Design Patent**
Hammargren et al.

(10) **Patent No.:** **US D705,827 S**
(45) **Date of Patent:** **** May 27, 2014**

(54) **DRILL BIT FOR PERCUSSIVE DRILLING**

FOREIGN PATENT DOCUMENTS

(75) Inventors: **John Hammargren**, Jadrass (SE);
Andreas Rindeskar, Hofors (SE)

DE	27 17 717	10/1978
DE	196 30 639	2/1998
EP	2 592 216	5/2013
WO	WO 92/11436	7/1992
WO	WO 03/031763	4/2003

(73) Assignee: **Sandvik Intellectual Property AB**,
Sandviken (SE)

OTHER PUBLICATIONS

(**) Term: **14 Years**

EPO Communication—European Search Report for European Patent Application No. 11 18 8761—Issued on Apr. 5, 2012.

(21) Appl. No.: **29/431,473**

* cited by examiner

(22) Filed: **Sep. 7, 2012**

Primary Examiner — Patricia Palasik

(51) **LOC (10) Cl.** **15-09**

(74) *Attorney, Agent, or Firm* — Morgan, Lewis & Bockius LLP

(52) **U.S. Cl.**

USPC **D15/139**

(58) **Field of Classification Search**

USPC D8/70, 86; D15/21, 131, 132, 138, 139,
D15/140; 81/119, 121.1, 124.3, 212.4,
81/124.6, 125, 177.1, 177.2, 177.6,
81/177.85, 436; 175/420.2, 414–418, 425,
175/426, 432–434

(57) **CLAIM**

We claim the ornamental design for a drill bit for percussive drilling, as shown and described.

See application file for complete search history.

DESCRIPTION

(56) **References Cited**

U.S. PATENT DOCUMENTS

4,151,889	A	5/1979	Lister	
6,658,968	B2 *	12/2003	Linden et al.	76/108.2
D496,948	S *	10/2004	Charland et al.	D15/139
7,296,641	B2 *	11/2007	Hadin et al.	175/418
7,392,863	B2 *	7/2008	Bjork	175/414
D574,403	S *	8/2008	Brady	D15/139
D611,512	S *	3/2010	Sundin	D15/139
D611,970	S *	3/2010	Sundin	D15/139
2002/0153174	A1 *	10/2002	Linden et al.	175/426
2004/0040752	A1 *	3/2004	Brandenberg et al.	175/420.1
2005/0011680	A1 *	1/2005	Egerstrom	175/296
2006/0060389	A1 *	3/2006	Hadin et al.	175/415
2006/0162965	A1 *	7/2006	Hadin	175/296
2007/0137900	A1 *	6/2007	Bjork	175/414

FIG. 1 shows a front end view of a drill bit for percussive drilling showing angled front buttons that are raised above the gauge.

FIG. 2 shows a side view from a first side of the drill bit for percussive drilling in FIG. 1.

FIG. 3 shows a side view from a second side of the drill bit for percussive drilling in FIG. 1.

FIG. 4 shows a side view from a third side of the drill bit for percussive drilling in FIG. 1.

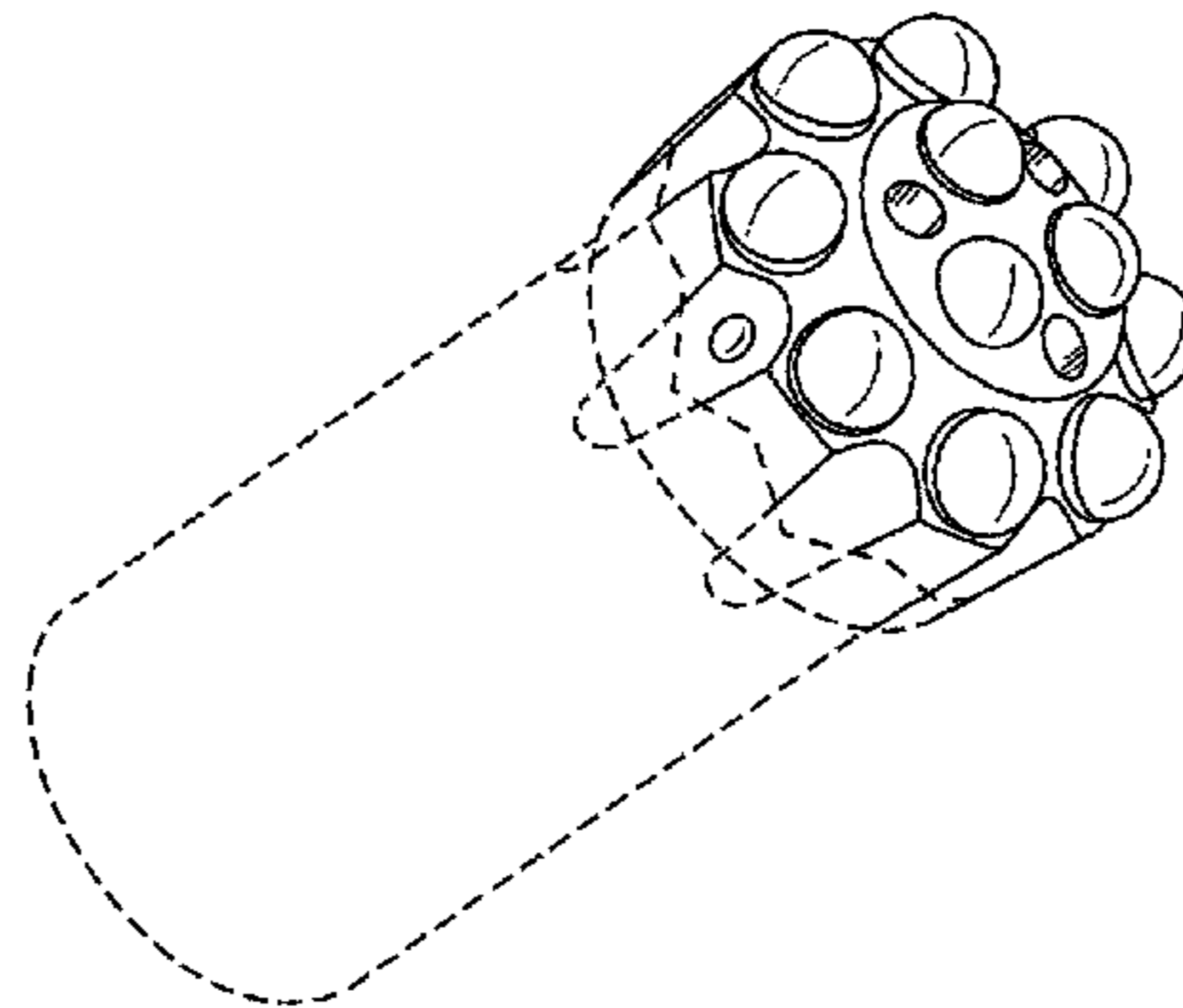
FIG. 5 shows a side view from a fourth side of the drill bit for percussive drilling in FIG. 1.

FIG. 6 shows a perspective view from the front and side of the drill bit for percussive drilling in FIG. 1; and,

FIG. 7 shows a back end view of the drill bit for percussive drilling in FIG. 1.

The broken lines in the drawings depict the boundaries of the claimed design and form no part thereof.

1 Claim, 2 Drawing Sheets



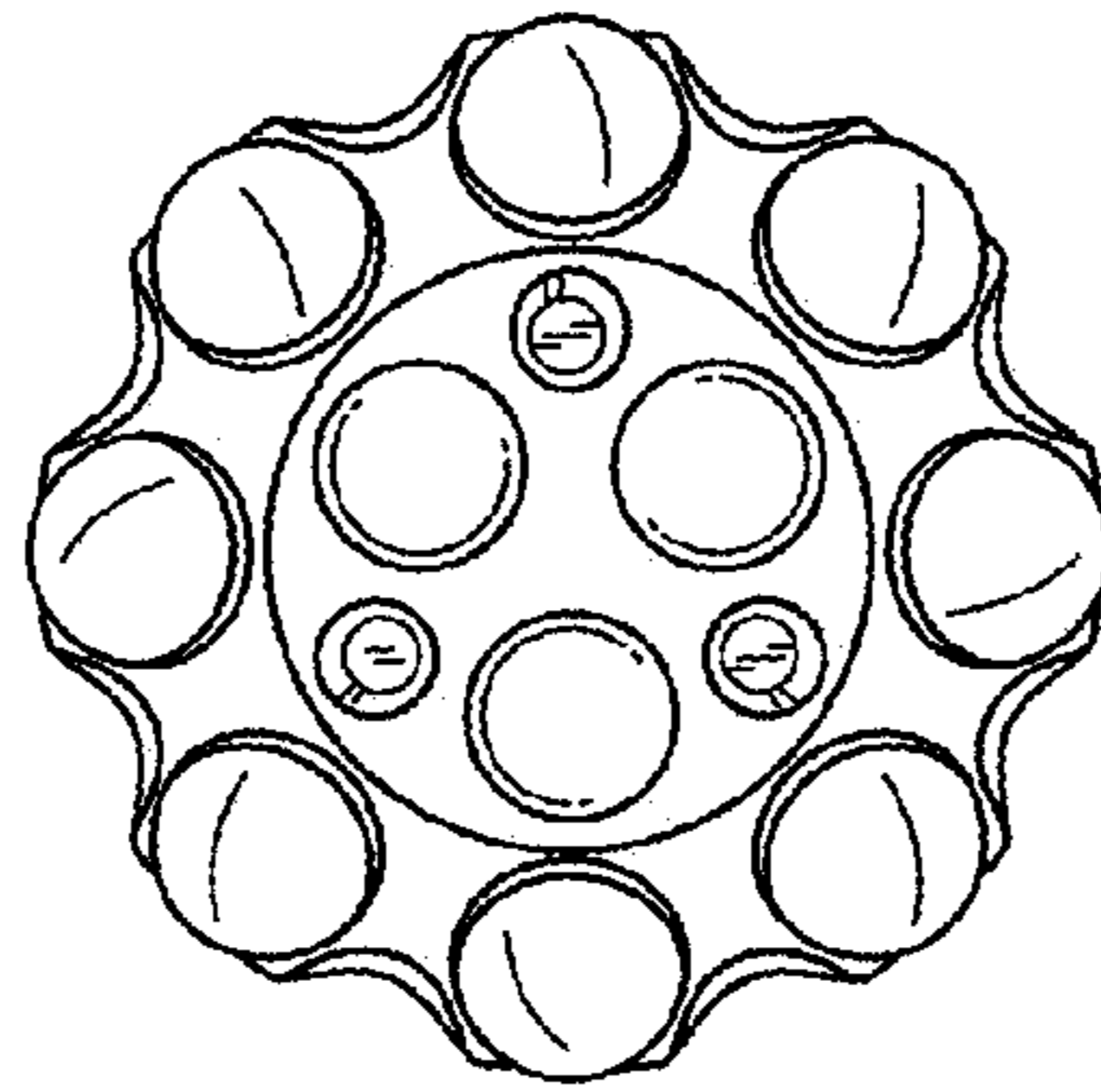


FIG. 1

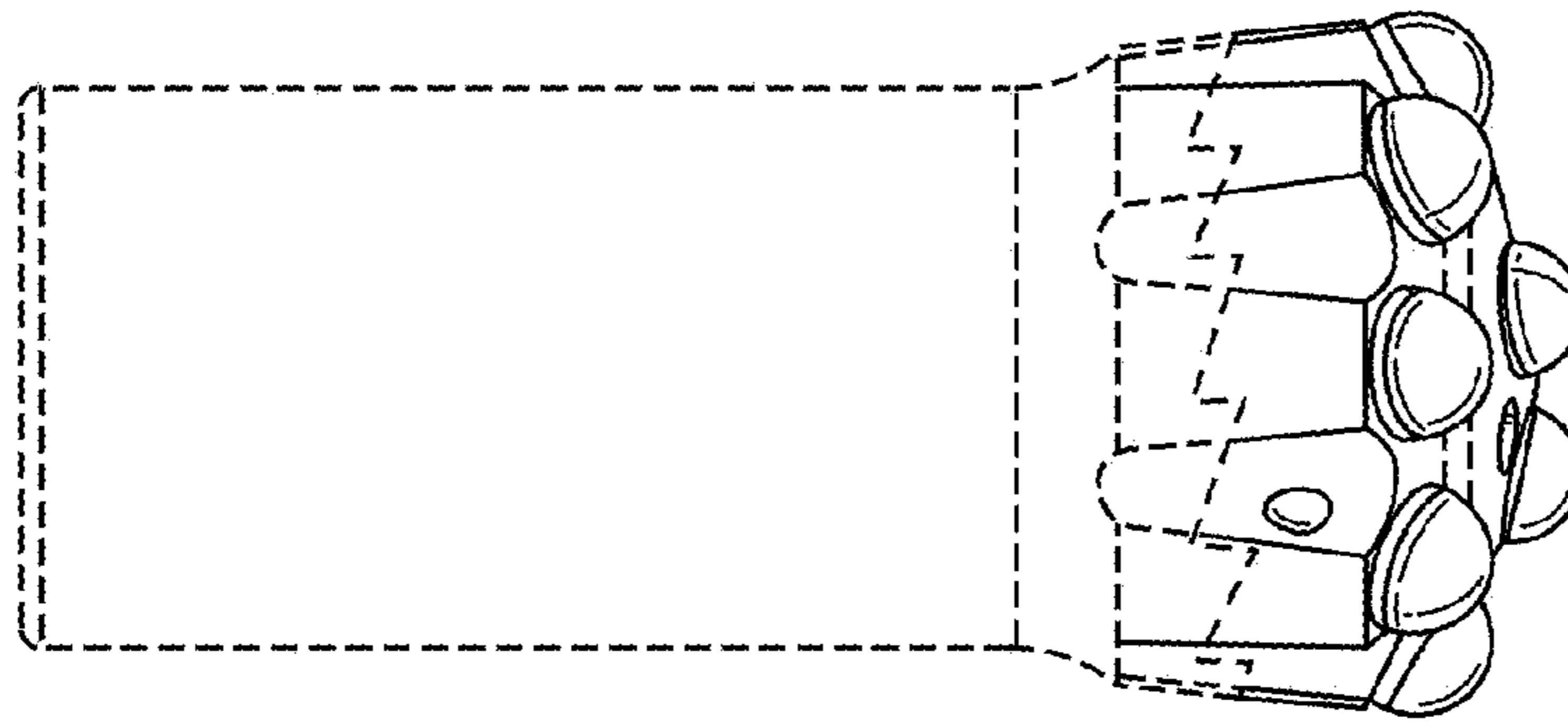


FIG. 2

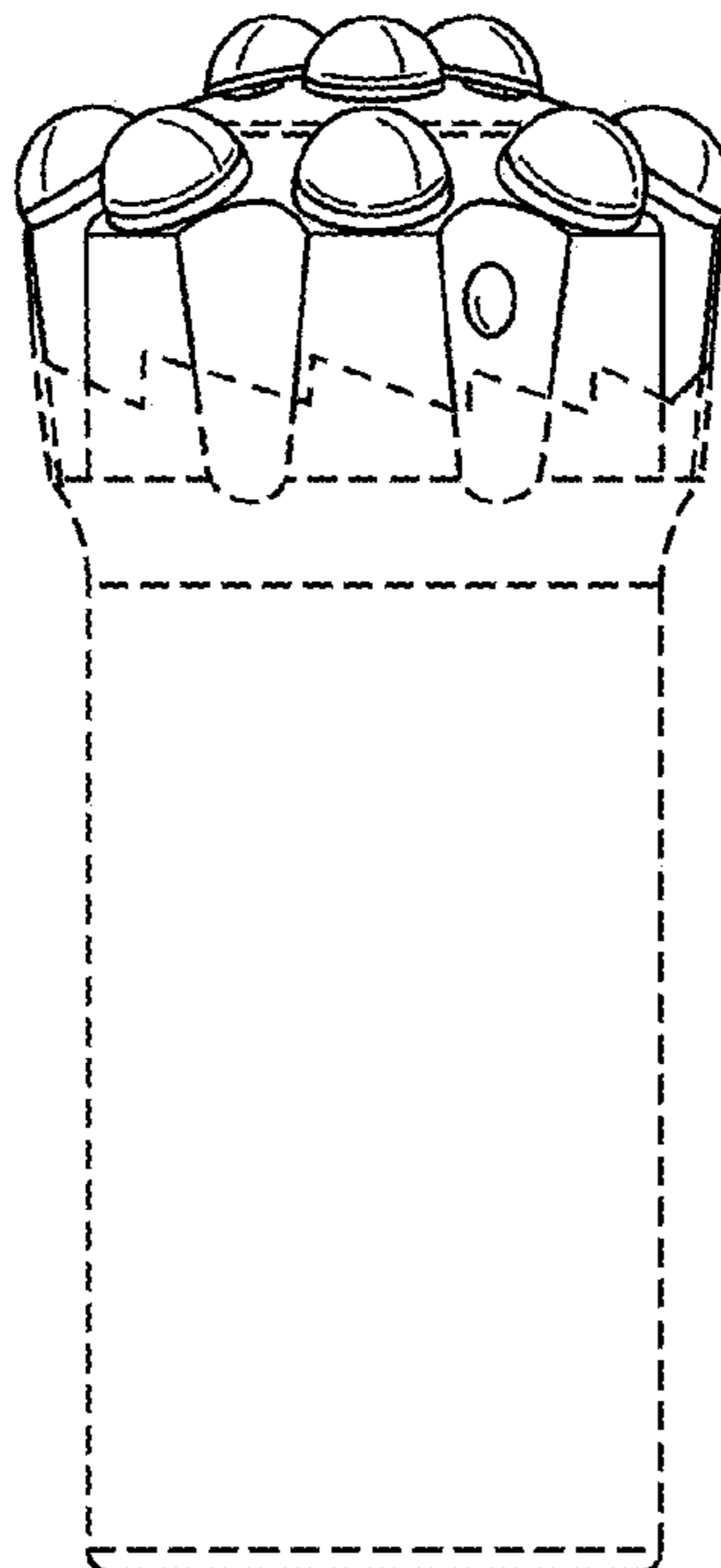


FIG. 3

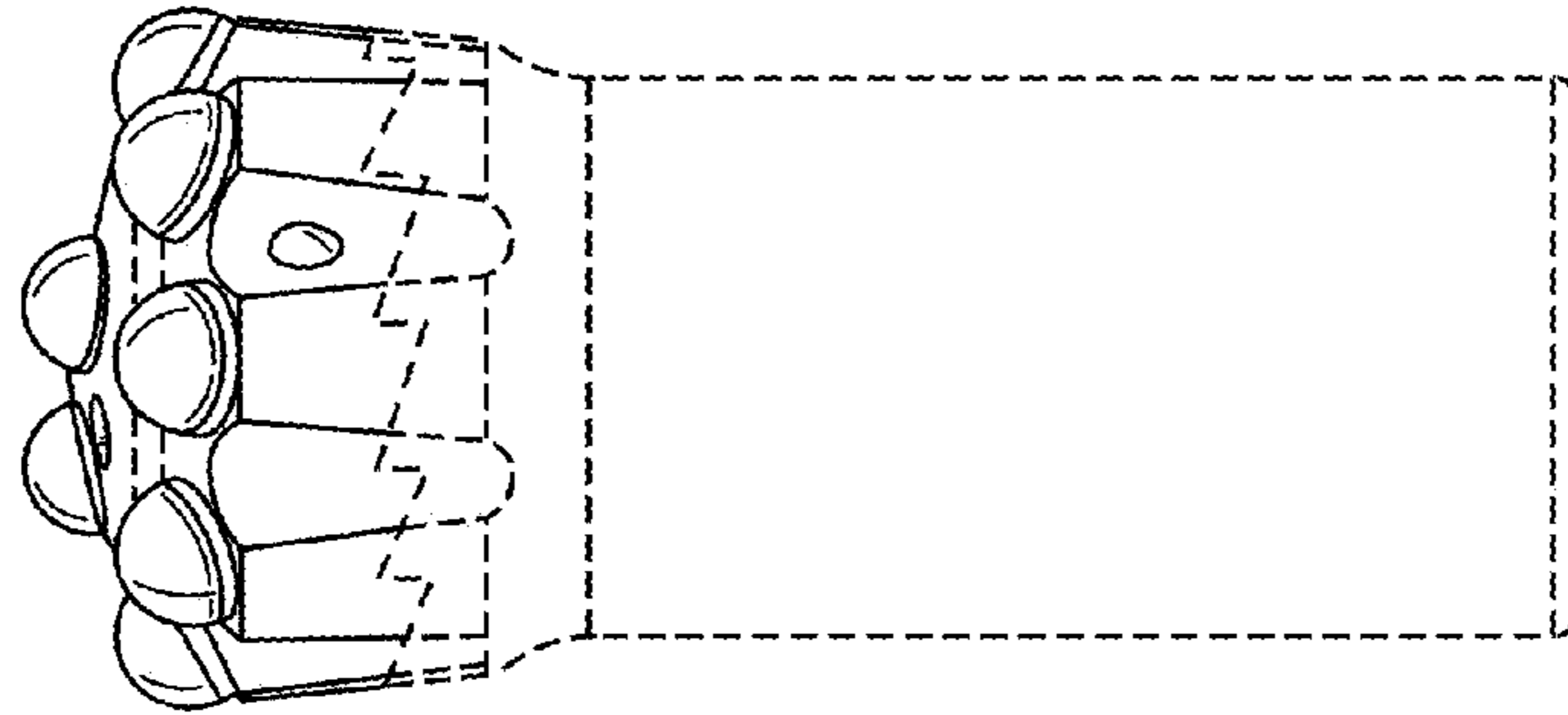


FIG. 4

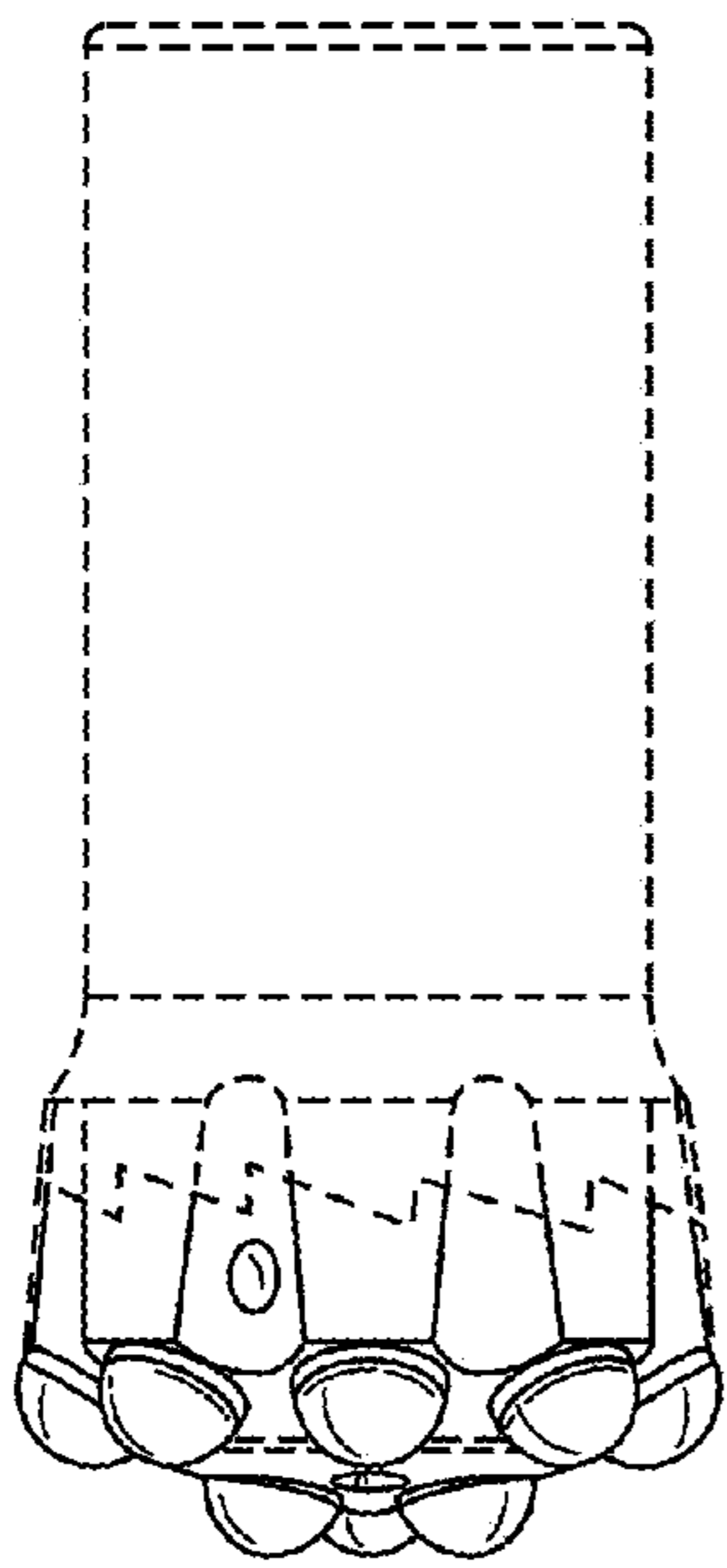


FIG. 5

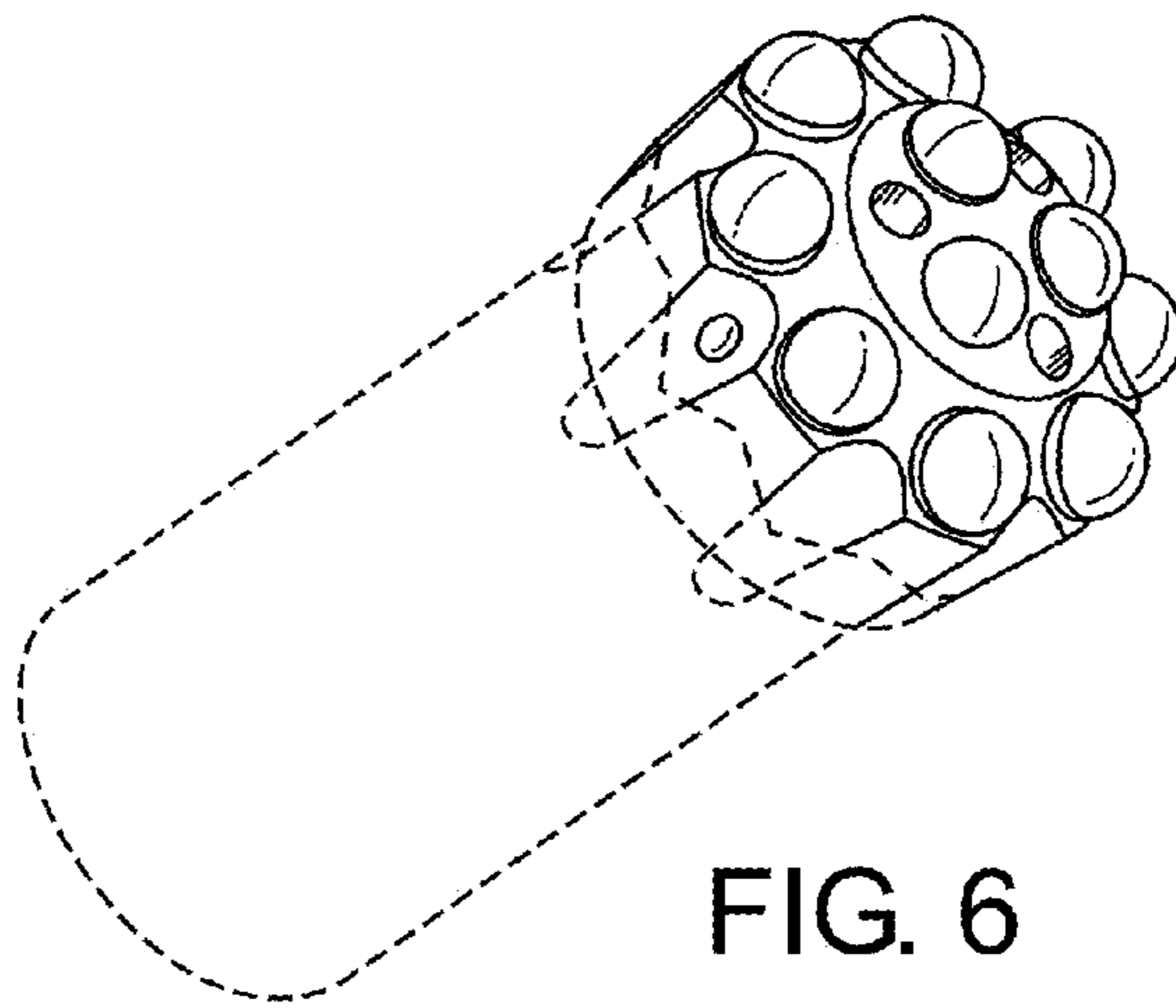


FIG. 6

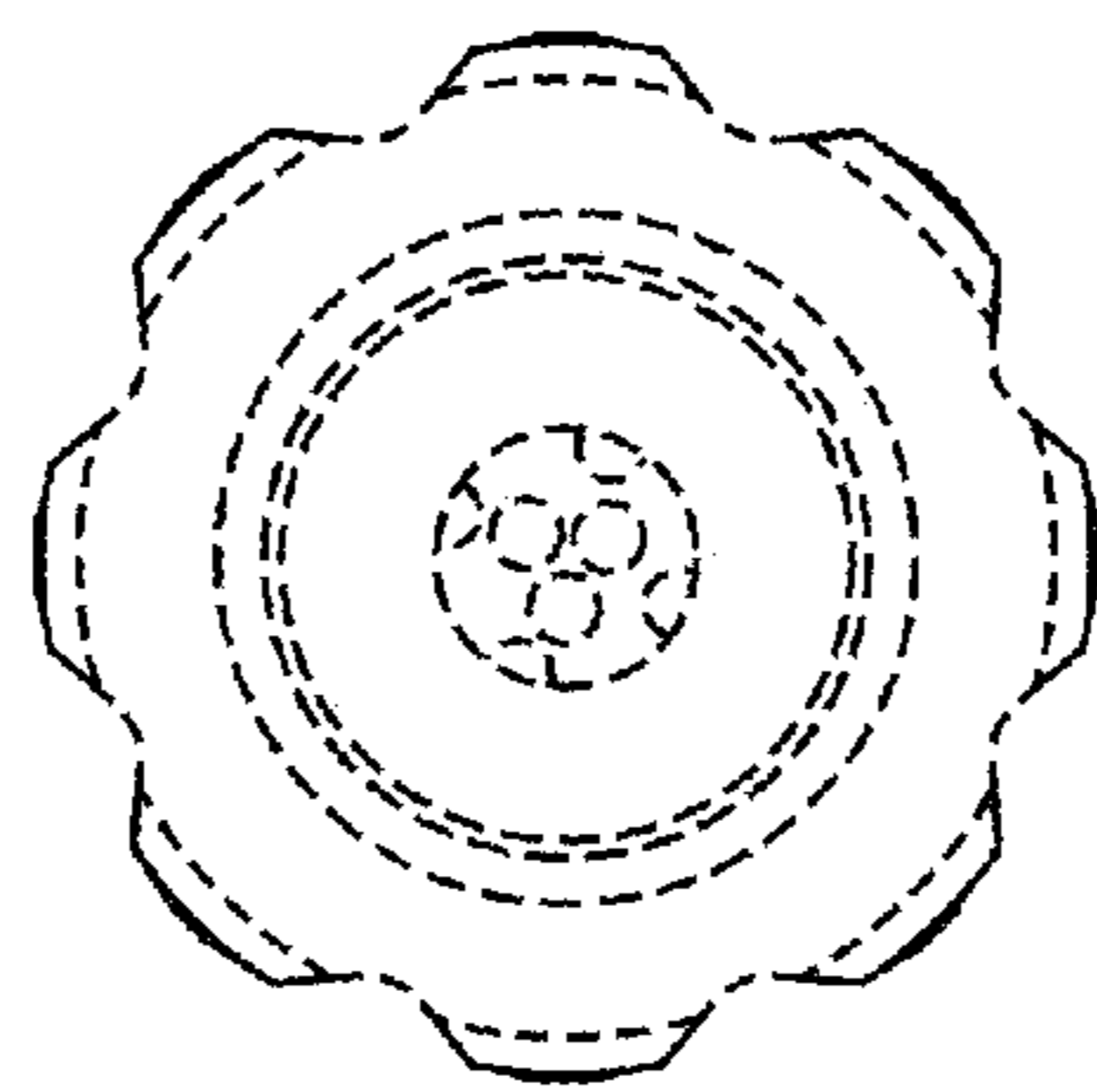


FIG. 7