



US00D705823S

(12) **United States Design Patent**  
**Haslett et al.**

(10) **Patent No.:** **US D705,823 S**

(45) **Date of Patent:** **\*\* May 27, 2014**

(54) **EXCAVATOR WEAR MEMBER**

(71) Applicant: **CQMS Pty Ltd**, Murarrie (AU)

(72) Inventors: **David Haslett**, Murarrie (AU); **Douglas Wallis**, Murarrie (AU); **Benjamin Charles Plant**, Goodna (AU); **Luke Wilkie**, Goodna (AU)

(73) Assignee: **CQMS Pty Ltd**, Murarrie (AU)

(\*\*) Term: **14 Years**

(21) Appl. No.: **29/464,037**

(22) Filed: **Aug. 12, 2013**

(30) **Foreign Application Priority Data**

Feb. 12, 2013 (AU) ..... 10717/2013

(51) **LOC (10) Cl.** ..... **15-03**

(52) **U.S. Cl.**  
USPC ..... **D15/28**; D15/29

(58) **Field of Classification Search**  
USPC ..... D15/11, 21, 32, 28, 29, 25; 403/378,  
403/379.5, 379; 37/466, 444, 448,  
37/450-459, 446, 447, 449, 195;  
172/701.3, 772, 772.5, 753, 713  
See application file for complete search history.

(56) **References Cited**

**U.S. PATENT DOCUMENTS**

1,330,143 A	2/1920	Seal
1,485,434 A	3/1924	Seal
3,496,658 A	2/1970	Eyolfson
3,623,247 A	11/1971	Stepe
3,675,350 A	7/1972	Mulcahy et al.
3,740,876 A	6/1973	Solokhin et al.
4,136,469 A	1/1979	Zepf
4,233,761 A	11/1980	Ryerson

5,016,365 A	5/1991	Robinson
5,144,762 A	9/1992	Robinson
5,423,138 A	6/1995	Livesay et al.
D365,577 S *	12/1995	Ruvang ..... D15/29

(Continued)

**FOREIGN PATENT DOCUMENTS**

AU	2007202390	6/2007
AU	2007241122	11/2007

(Continued)

**OTHER PUBLICATIONS**

U.S. Appl. No. 29/464,039, filed Aug. 12, 2013, all materials from USPTO prosecution history.

*Primary Examiner* — Mark Goodwin

(74) *Attorney, Agent, or Firm* — Leydig, Voit & Mayer, Ltd.

(57) **CLAIM**

The ornamental design for an excavator wear member, as shown and described.

**DESCRIPTION**

FIG. 1 is a perspective view of an excavator wear member showing our new design.

FIG. 2 is rear perspective view of the excavator wear member of FIG. 1.

FIG. 3 is an upper rear perspective view of the excavator wear member of FIG. 1.

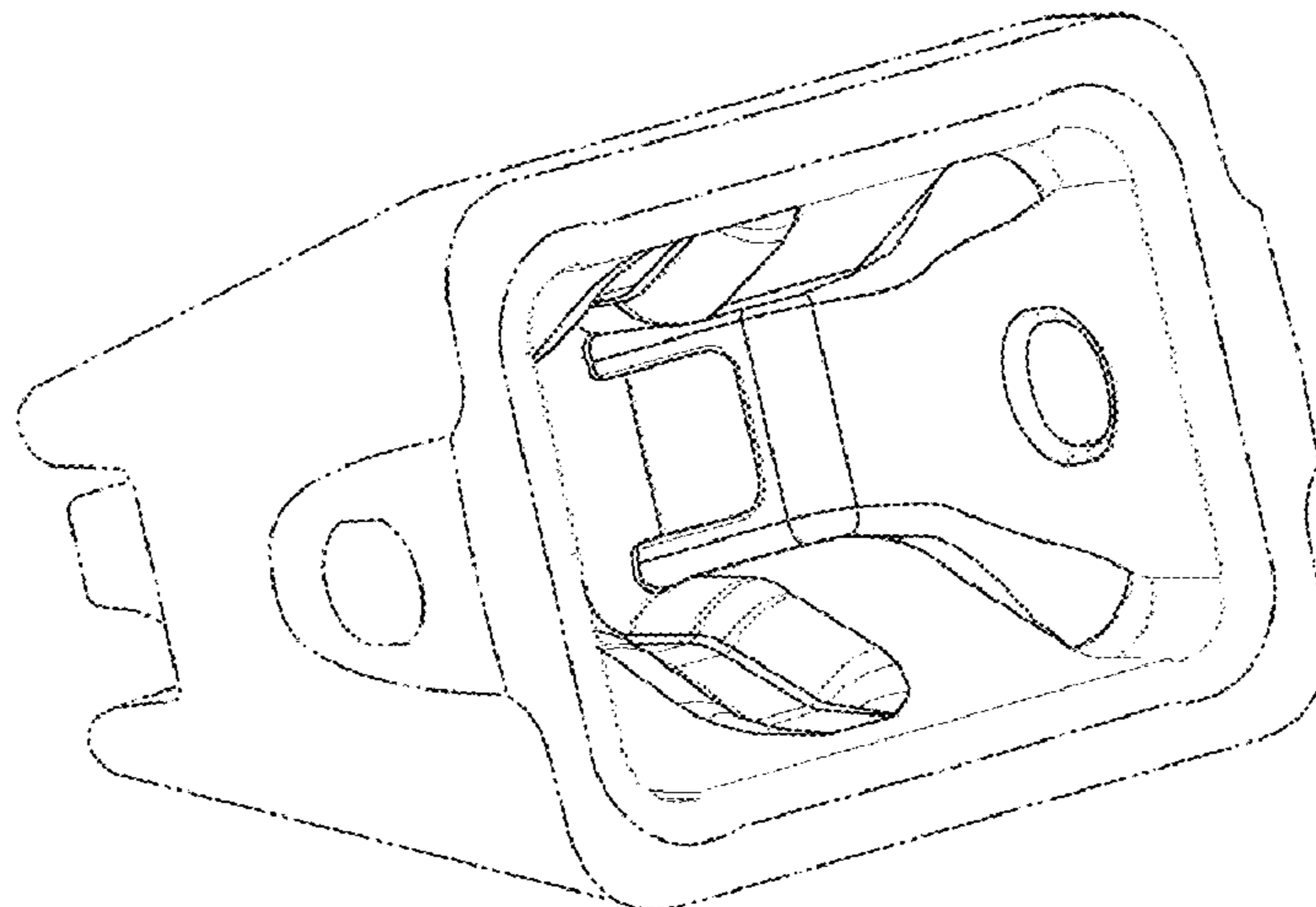
FIG. 4 is a lower rear perspective view of the excavator wear member of FIG. 1.

FIG. 5 is a side elevational view of the excavator wear member of FIG. 1; and,

FIG. 6 is a sectional perspective view of the excavator wear member of FIG. 1 taken along line 6-6 of FIG. 5.

The broken lines in the views depict environmental structure that is shown for illustrative purposes only and that does not form any part of the claimed design.

**1 Claim, 3 Drawing Sheets**



(56)

References Cited

U.S. PATENT DOCUMENTS

5,718,070 A 2/1998 Ruvang  
 5,918,391 A 7/1999 Viñas Peya  
 5,937,550 A 8/1999 Emrich  
 5,956,874 A 9/1999 Ianello et al.  
 D420,014 S \* 2/2000 Karlsson ..... D15/29  
 D435,567 S \* 12/2000 Clendenning ..... D15/29  
 D436,116 S \* 1/2001 Clendenning ..... D15/29  
 D446,224 S \* 8/2001 Clendenning ..... D15/29  
 D447,154 S \* 8/2001 Clendenning ..... D15/29  
 D458,614 S \* 6/2002 Esterhuyse et al. .... D15/29  
 D460,464 S \* 7/2002 Ketting et al. .... D15/29  
 D460,764 S \* 7/2002 Ketting et al. .... D15/29  
 D461,198 S \* 8/2002 Ketting et al. .... D15/29  
 6,430,851 B1 8/2002 Clendenning  
 6,751,897 B2 6/2004 Bierwith  
 7,032,334 B2 4/2006 Pippins  
 7,121,023 B2 10/2006 Robinson et al.  
 D541,311 S \* 4/2007 Oh ..... D15/29  
 D602,505 S \* 10/2009 Ruvang ..... D15/29  
 D614,206 S \* 4/2010 Ruvang ..... D15/29  
 D614,207 S \* 4/2010 Ruvang ..... D15/29  
 7,926,207 B2 4/2011 Lopez Almendros et al.  
 7,980,011 B2 7/2011 Ruvang  
 8,122,621 B2 2/2012 Caprenter et al.  
 8,127,475 B2 3/2012 Harder et al.  
 2003/0070330 A1 4/2003 Olds et al.  
 2004/0118021 A1 6/2004 Renski  
 2007/0051022 A1 3/2007 Meyers et al.  
 2007/0084094 A1 4/2007 Bentley

2008/0000113 A1 1/2008 Robinson  
 2008/0028644 A1 2/2008 Lopez Almendros et al.  
 2012/0017474 A1 1/2012 Rol Corredor et al.

FOREIGN PATENT DOCUMENTS

AU 2011226948 10/2011  
 AU 2011203147 1/2012  
 AU 2012200752 3/2012  
 AU 2012203050 12/2012  
 AU 2013200095 1/2013  
 AU 2013200107 1/2013  
 AU 2013202351 5/2013  
 AU 2013202355 5/2013  
 AU 2013202772 5/2013  
 AU 2013204602 5/2013  
 AU 2013205263 5/2013  
 AU 2013205320 5/2013  
 DE 3720855 2/1988  
 GB 1272955 5/1972  
 WO WO 2007/016719 2/2007  
 WO WO 2008/116942 10/2008  
 WO WO 2009/082317 2/2009  
 WO WO 2010/111015 9/2010  
 WO WO 2011/088506 7/2011  
 WO WO 2011/088507 7/2011  
 WO WO 2011/088511 7/2011  
 WO WO 2011/097689 8/2011  
 WO WO 2011/134014 11/2011  
 WO WO 2012/012828 2/2012

\* cited by examiner

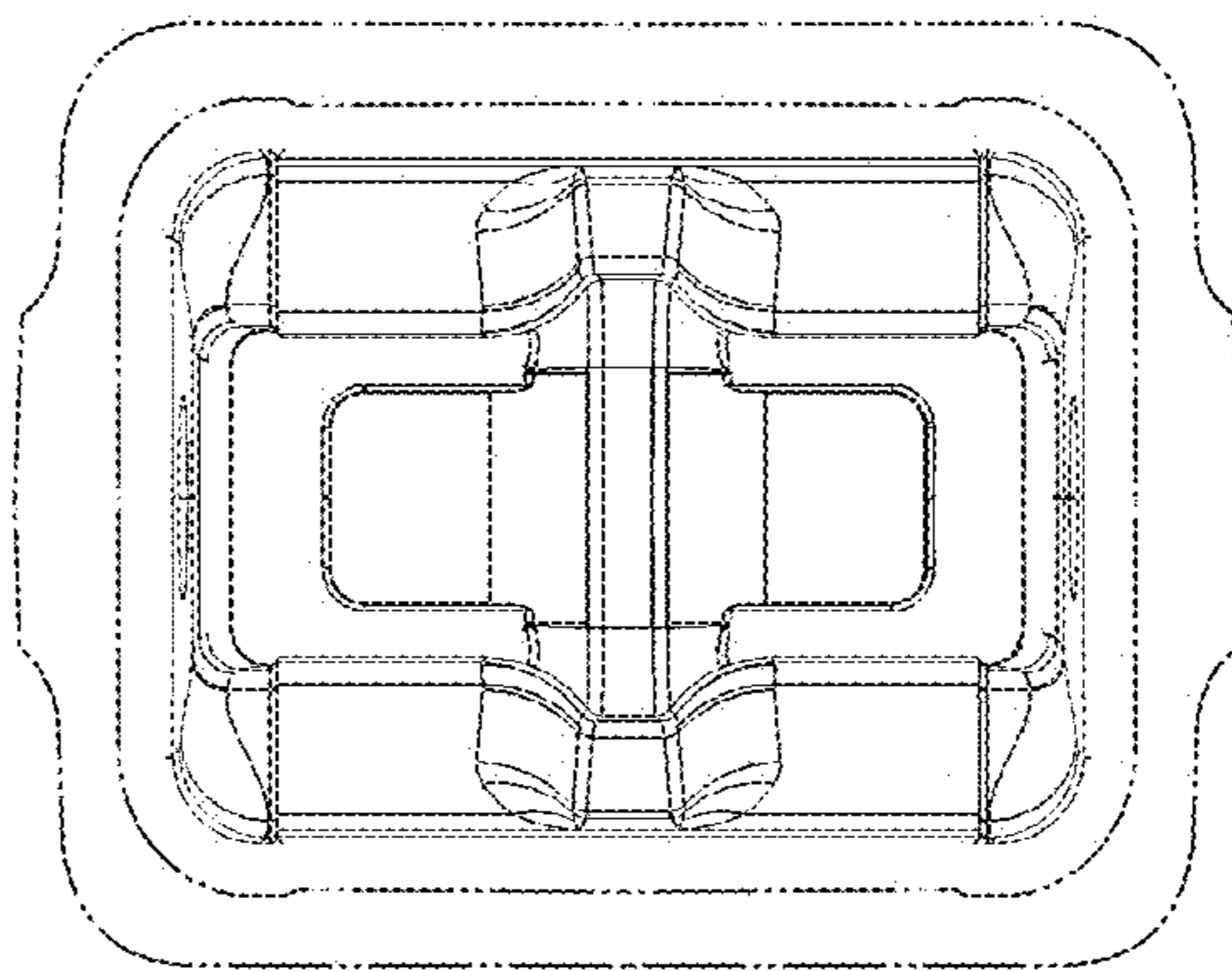


FIG. 1

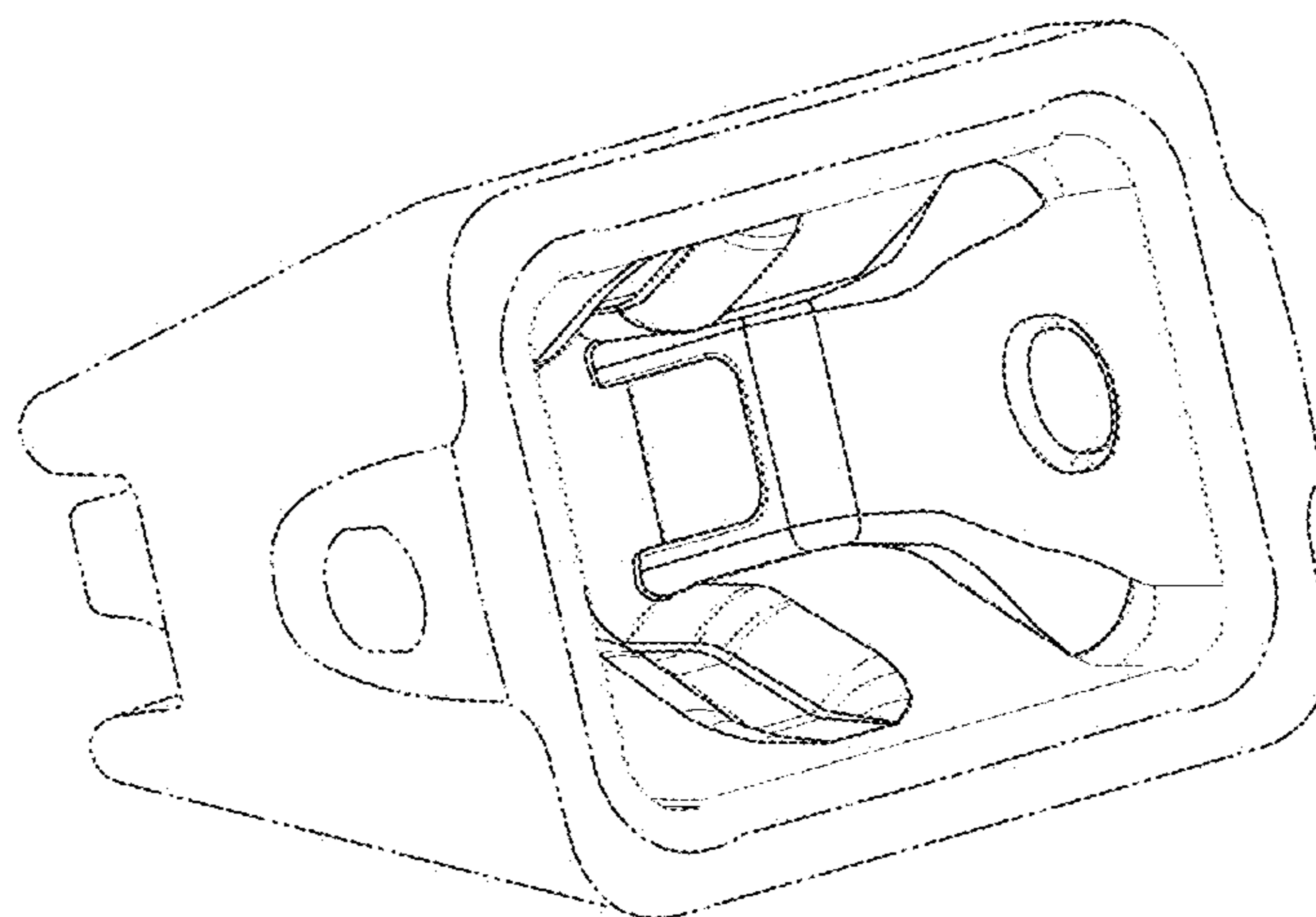


FIG. 2

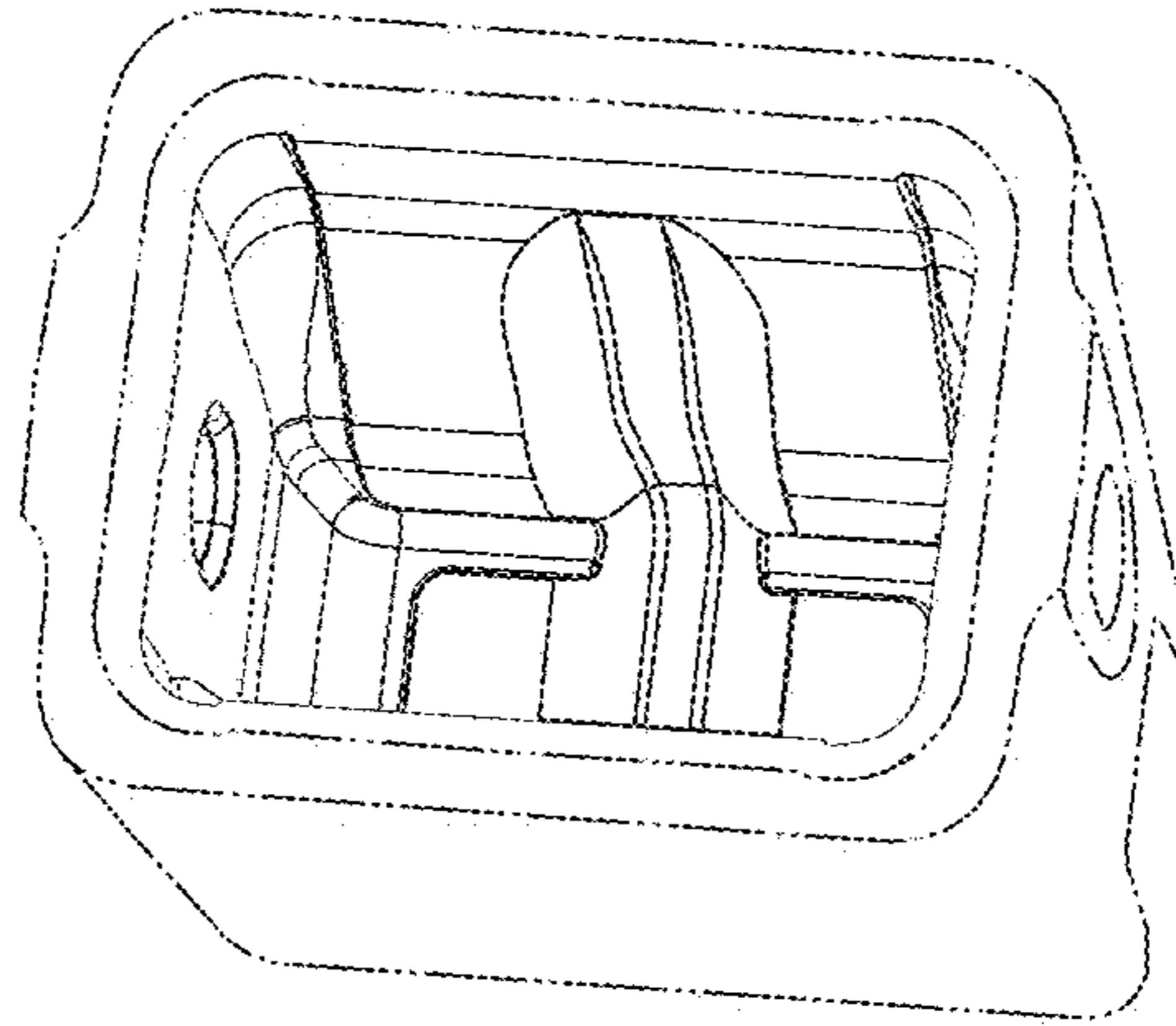


FIG. 3

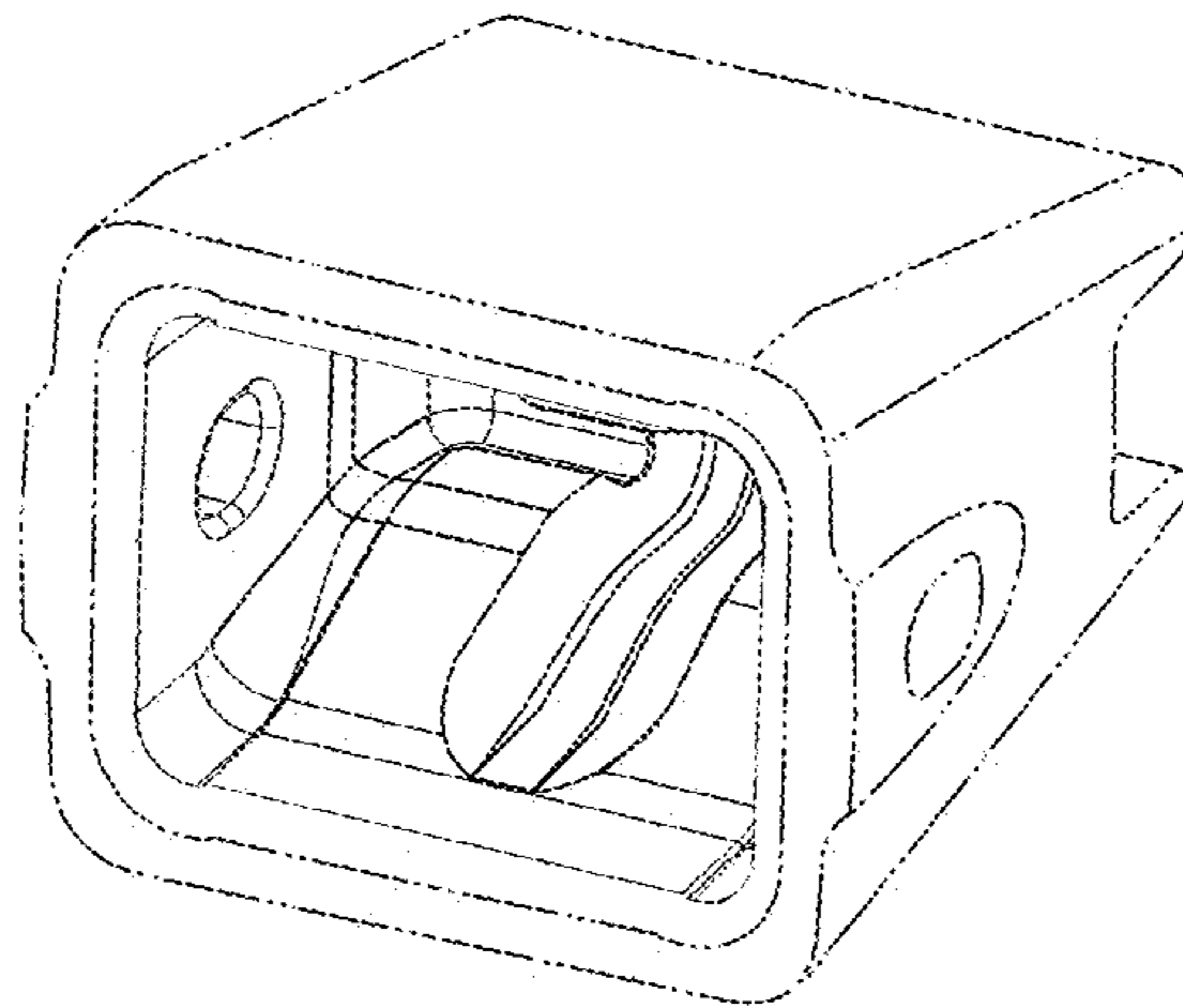


FIG. 4



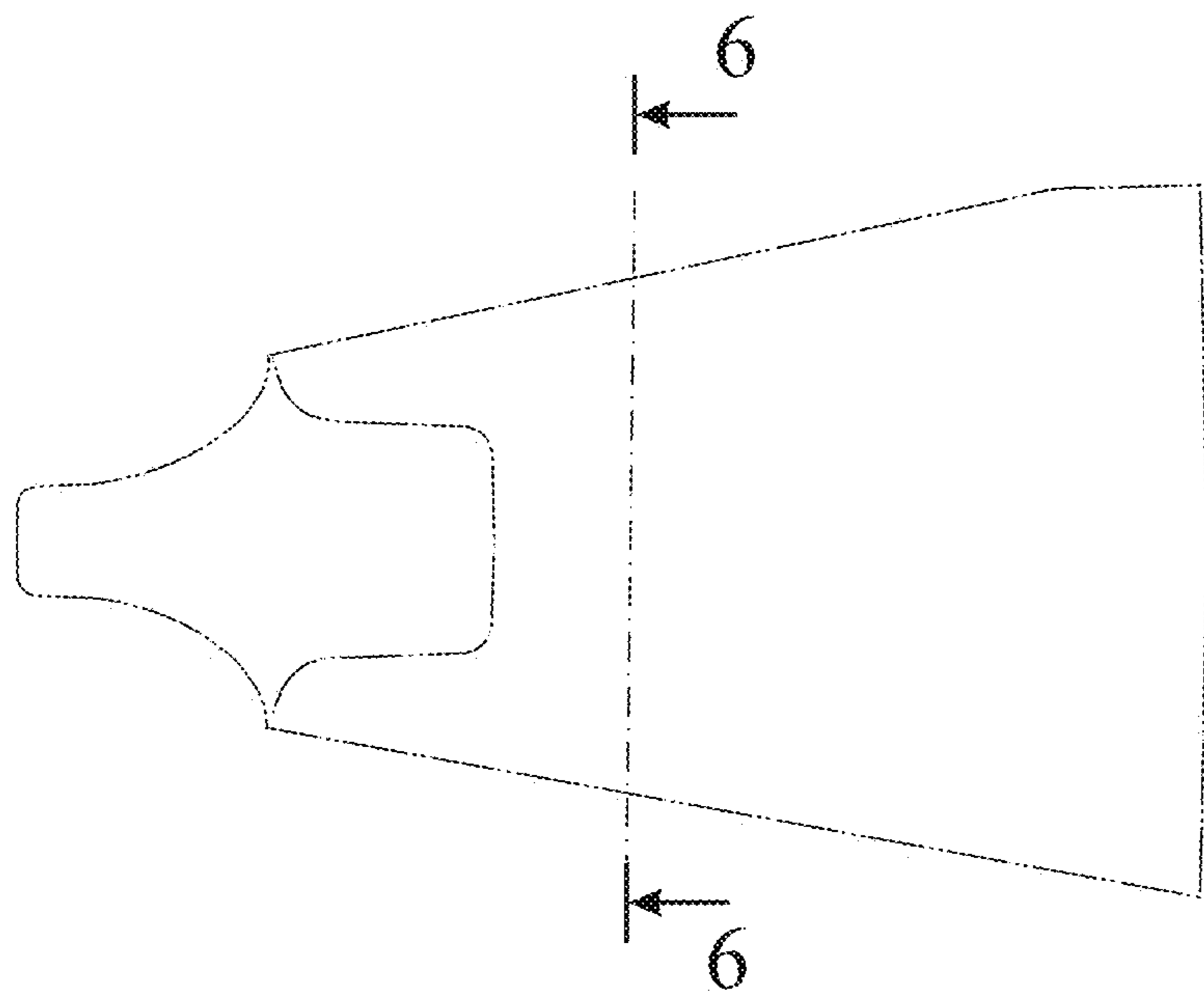


FIG. 5

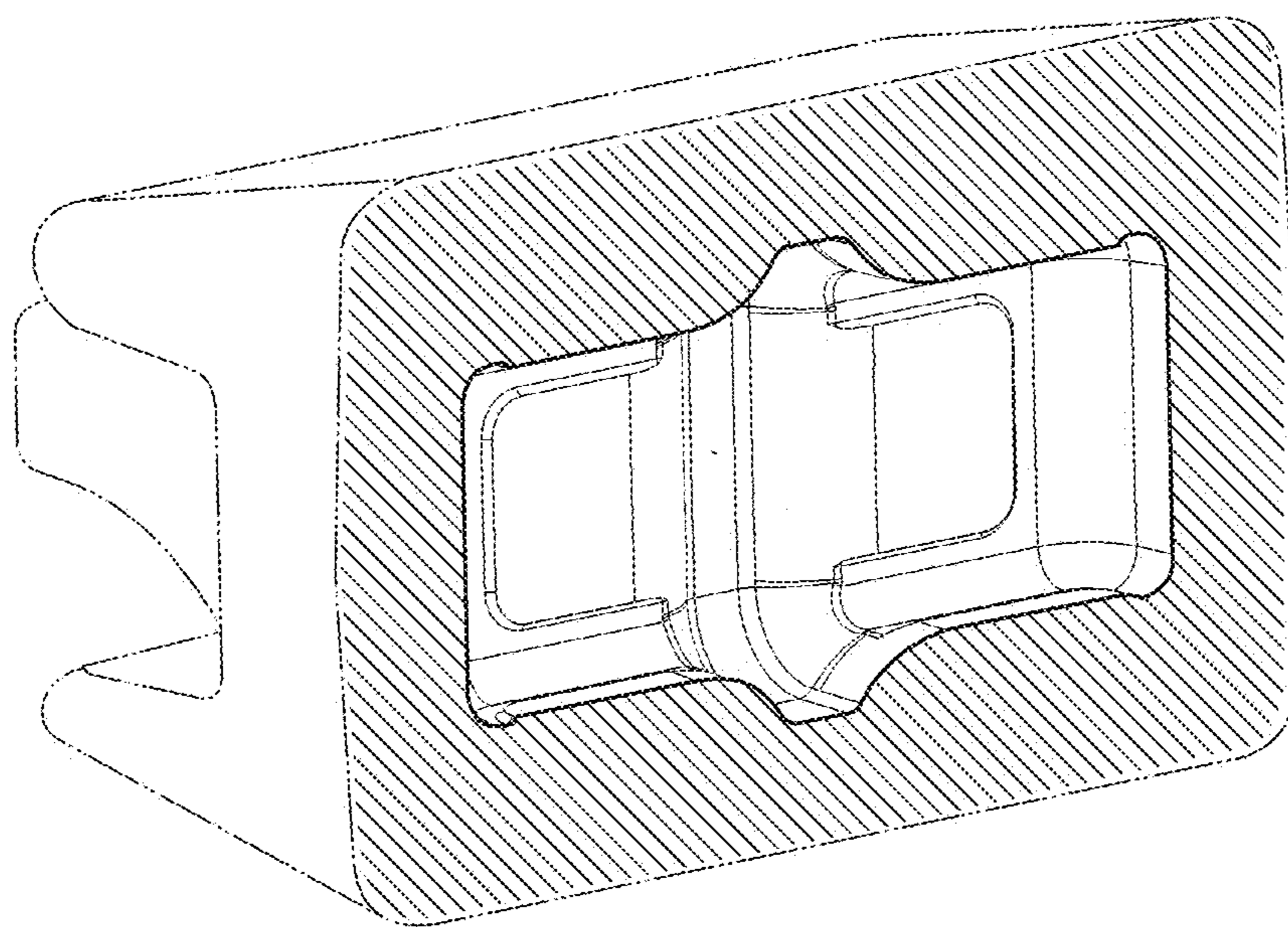


FIG. 6