



US00D705821S

(12) United States Design Patent
Frazier**(10) Patent No.: US D705,821 S****(45) Date of Patent: ** May 27, 2014****(54) CONFIGURABLE INSERT FOR A
DOWNHOLE PLUG****(71) Applicant: W. Lynn Frazier, Corpus Christi, TX
(US)****(72) Inventor: W. Lynn Frazier, Corpus Christi, TX
(US)****(**) Term: 14 Years****(21) Appl. No.: 29/445,834****(22) Filed: Feb. 18, 2013****Related U.S. Application Data****(63) Continuation of application No. 29/398,384, filed on
Jul. 29, 2011, now Pat. No. Des. 694,280.****(51) LOC (10) Cl. 15-03****(52) U.S. Cl.
USPC D15/21****(58) Field of Classification Search**
USPC D15/21, 28, 138, 139, 140; D8/70, 71;
417/448, 453, 456, 459, 460; 166/123,
166/124, 135, 138, 193, 118, 133, 134, 170,
166/173, 206, 244.1, 316, 318, 332.1, 336,
166/373, 375, 376, 381, 386, 387; 175/317;
294/86.3; 340/854.4, 853.1

See application file for complete search history.

(56) References Cited**U.S. PATENT DOCUMENTS**1,736,486 A * 11/1929 Carnahan 417/569
D194,437 S * 1/1963 Salter D15/21
3,507,327 A * 4/1970 Chenoweth 166/134
5,392,856 A * 2/1995 Broussard et al. 166/285
D408,830 S * 4/1999 Nathenson et al. D15/21
D413,126 S * 8/1999 Warren et al. D15/21
5,988,277 A * 11/1999 Vick et al. 166/123D420,013 S * 2/2000 Warren et al. D15/21
6,082,451 A * 7/2000 Giroux et al. 166/72
6,196,323 B1 * 3/2001 Møksvold 166/368
6,685,451 B1 * 2/2004 Ivey 417/555.2
6,708,768 B2 * 3/2004 Slup et al. 166/382
6,755,628 B1 * 6/2004 Howell 417/448
7,163,066 B2 * 1/2007 Lehr 166/386
7,237,615 B2 * 7/2007 Dallas et al. 166/379
7,278,490 B2 * 10/2007 McGuire et al. 166/379
D585,916 S * 2/2009 Greenleaf D15/128
D597,571 S * 8/2009 Darr D15/139
7,775,291 B2 * 8/2010 Jacob 166/386
8,061,381 B2 * 11/2011 Ford 137/515.7
8,128,383 B2 * 3/2012 Pulliam 417/448
D672,794 S * 12/2012 Frazier D15/139
8,459,346 B2 * 6/2013 Frazier 166/124
2007/0151722 A1 * 7/2007 Lehr et al. 166/123
2007/0194946 A1 * 8/2007 Hall 340/853.1
2008/0271898 A1 * 11/2008 Turley et al. 166/382
2010/0263857 A1 * 10/2010 Frazier 166/127
2011/0067889 A1 * 3/2011 Marya et al. 166/386
2011/0277989 A1 * 11/2011 Frazier 166/193
2011/0290473 A1 * 12/2011 Frazier 166/135
2012/0006532 A1 * 1/2012 Frazier 166/196

* cited by examiner

Primary Examiner — Mark Goodwin*(74) Attorney, Agent, or Firm* — Edmonds & Nolte, P.C.**(57) CLAIM**

The ornamental design for configurable insert for a downhole plug, as shown and described.

DESCRIPTION

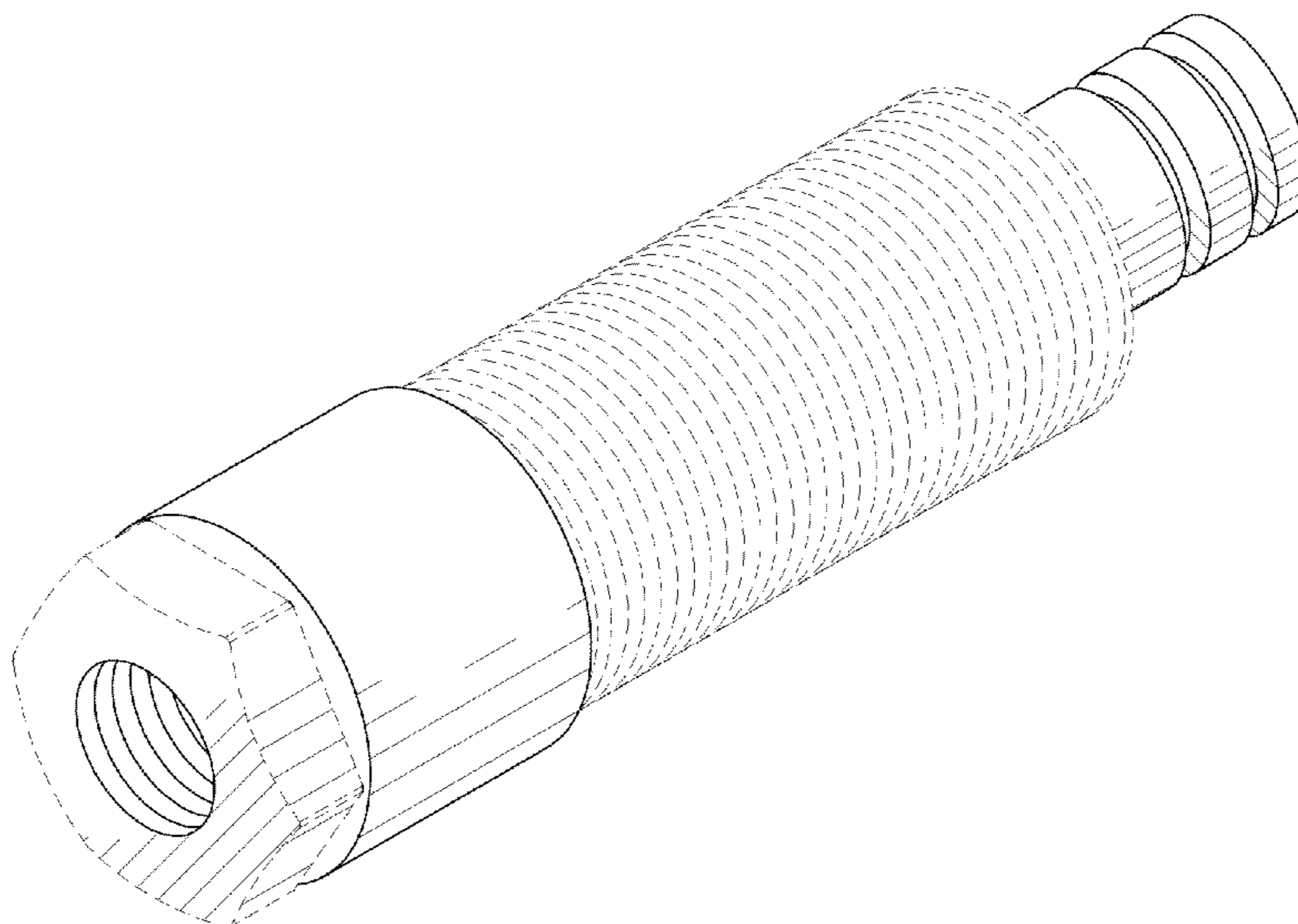
FIG. 1 is a perspective view of a configurable insert for a downhole plug;

FIG. 2 is a top plan view thereof;

FIG. 3 is a side plan view thereof; and,

FIG. 4 is a bottom plan view thereof.

The broken lines shown in the drawings are for illustrative purposes only and form no part of the claimed design.

1 Claim, 2 Drawing Sheets

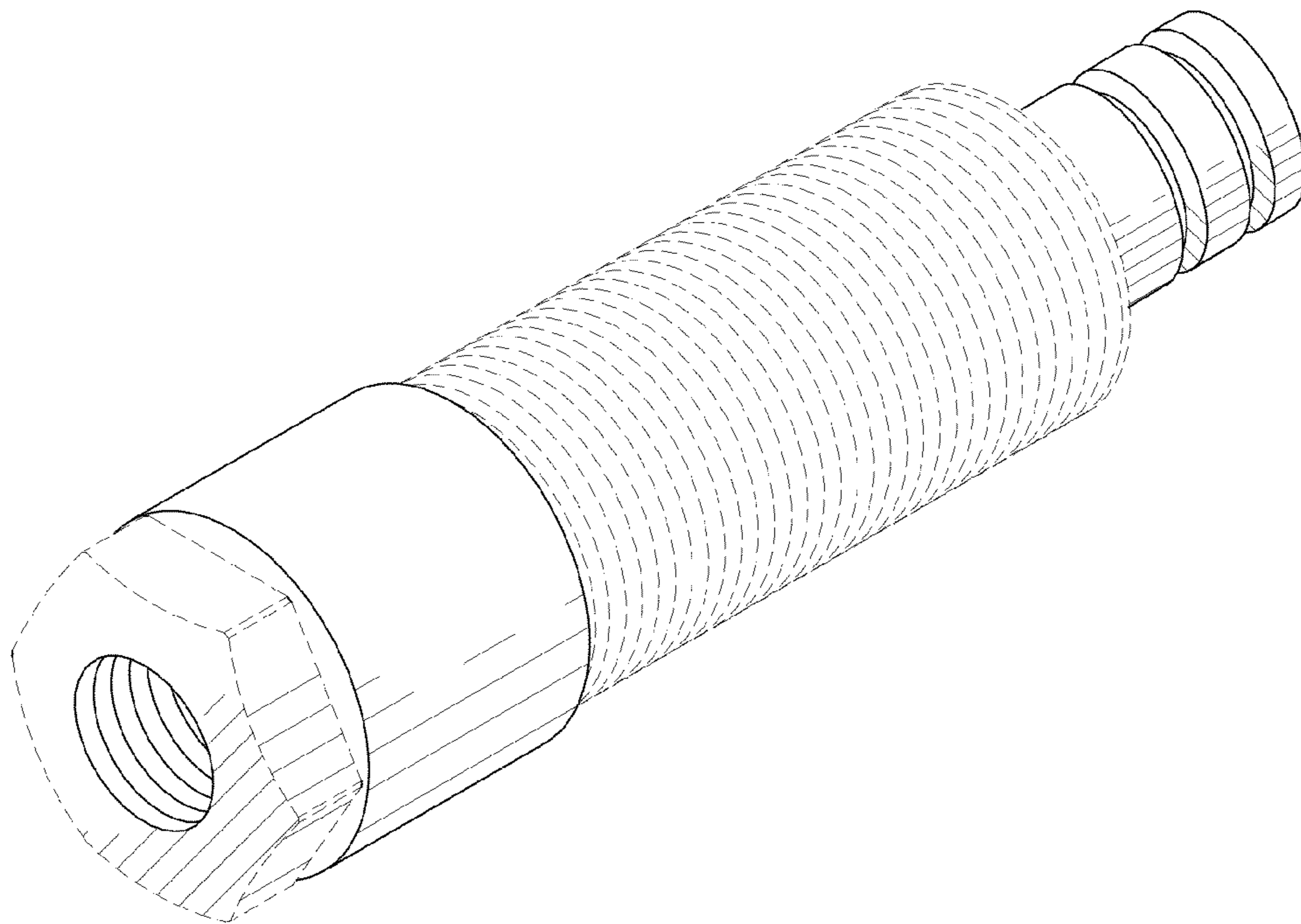


FIG. 1

FIG. 2

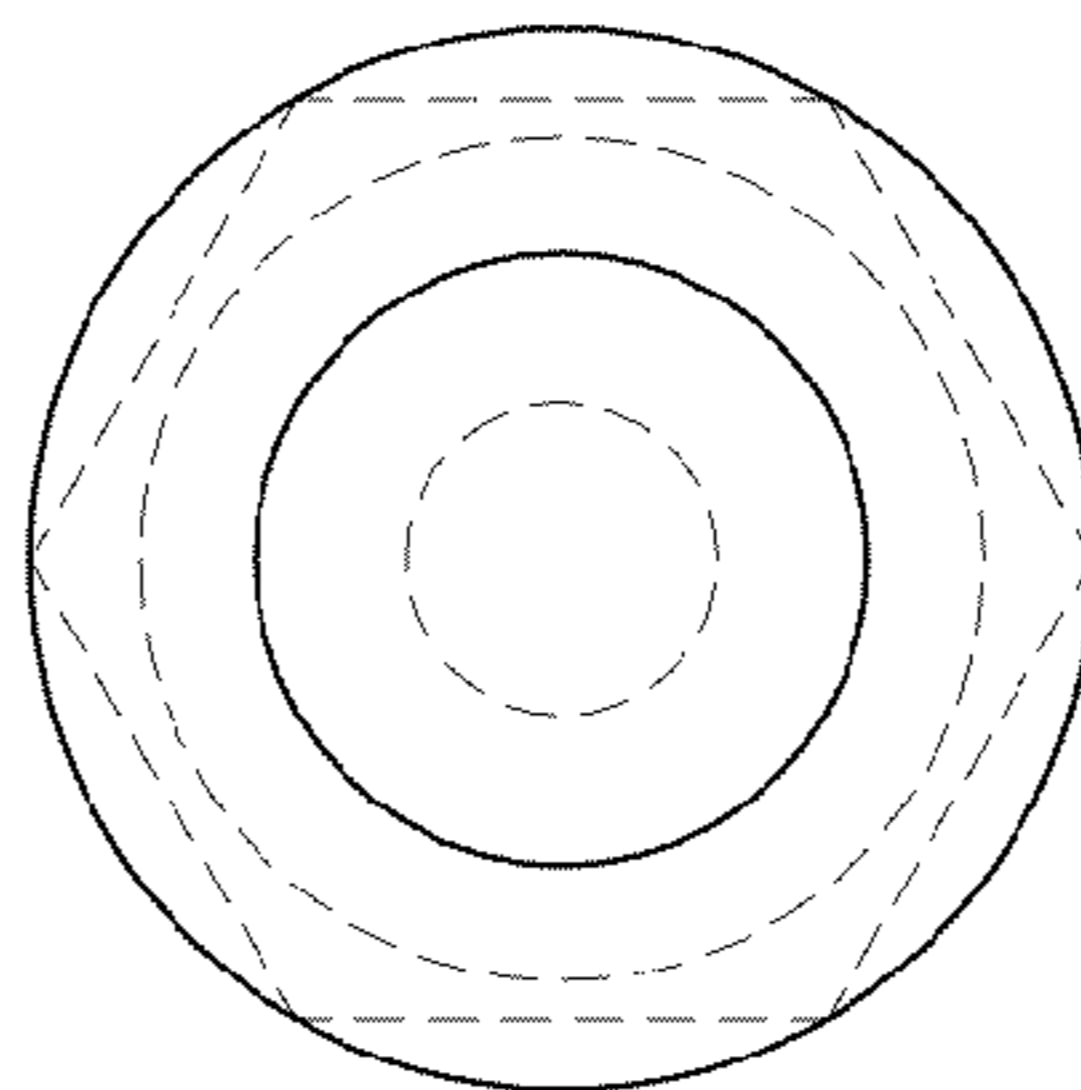


FIG. 3

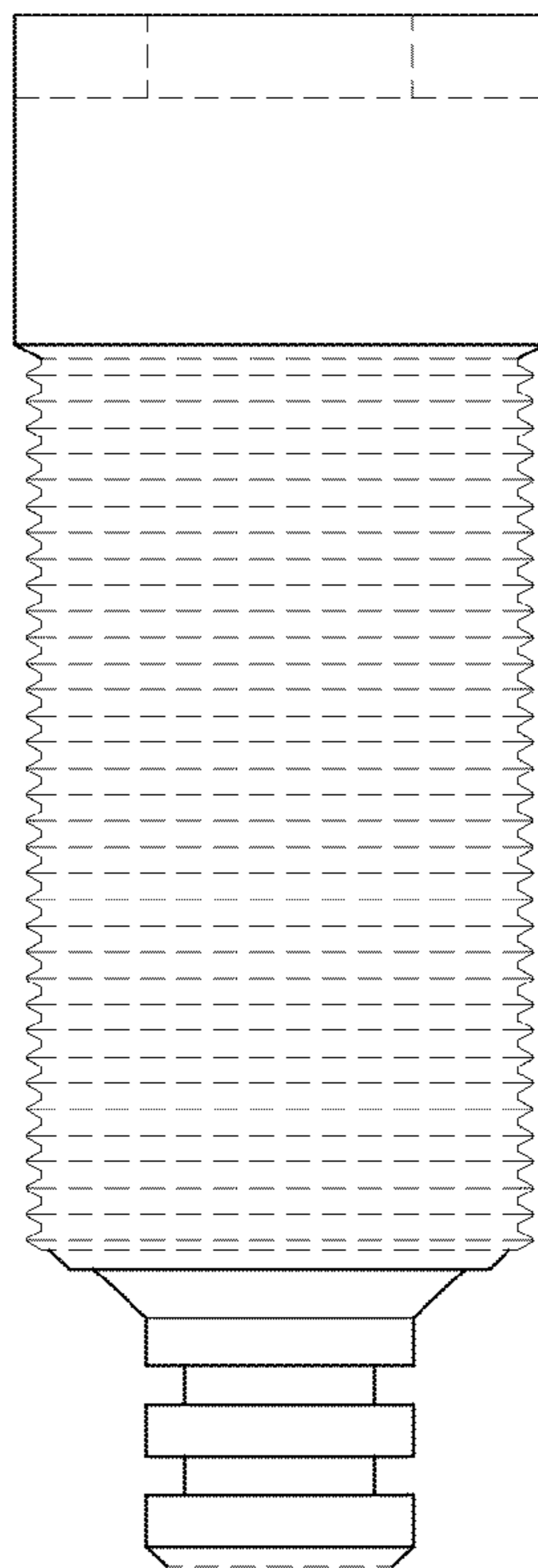


FIG. 4

