



US00D705813S

(12) **United States Design Patent**
Deguchi

(10) **Patent No.:** **US D705,813 S**

(45) **Date of Patent:** **** May 27, 2014**

(54) **DISC RECORDER**

(71) Applicant: **Sony Corporation**, Tokyo (JP)

(72) Inventor: **Michio Deguchi**, Tokyo (JP)

(73) Assignee: **Sony Corporation**, Tokyo (JP)

(**) Term: **14 Years**

(21) Appl. No.: **29/444,431**

(22) Filed: **Jan. 30, 2013**

(51) **LOC (10) Cl.** **14-03**

(52) **U.S. Cl.**
USPC **D14/498**

(58) **Field of Classification Search**
USPC D9/430, 431, 435; D13/103, 108;
D14/135, 155, 157, 160-162, 167, 168,
D14/188-198, 250, 257, 258, 265, 348, 356,
D14/363, 365, 367, 368, 496, 498-505,
D14/511; D16/219, 221; 360/99.02, 99.07;
369/75.11, 75.21, 77.11, 77.21;
720/601, 612, 619, 649, 655

See application file for complete search history.

(56) **References Cited**

U.S. PATENT DOCUMENTS

D261,613 S *	11/1981	Forbes, Jr.	D9/418
D313,596 S *	1/1991	Tsuboi	D14/163
D376,367 S *	12/1996	Mailandt	D14/230
D579,952 S	11/2008	Yamada	
D591,740 S *	5/2009	Luke et al.	D14/341
D607,427 S *	1/2010	Ho et al.	D14/138 AD
D645,341 S *	9/2011	Bhattacharya	D9/430
D661,680 S *	6/2012	Wei et al.	D14/155
2006/0072203 A1 *	4/2006	Lee	359/625

FOREIGN PATENT DOCUMENTS

JP	D1095170 S	12/2000
JP	D1119585 S	8/2001
JP	D1310781 S	9/2007

OTHER PUBLICATIONS

Sunoptics Double Hip Skylight, announced Mar. 2012, [online], [site visited Dec. 9, 2013]. Available from Internet, <URL: http:www.sunoptics.com>.*

* cited by examiner

Primary Examiner — Prabhakar Deshmukh

Assistant Examiner — Janice Lim

(74) *Attorney, Agent, or Firm* — Rader, Fishman & Grauer PLLC

(57) **CLAIM**

The ornamental design for a disc recorder, as shown and described.

DESCRIPTION

FIG. 1 is a perspective view of a disc recorder showing my new design;

FIG. 2 is a front elevational view thereof;

FIG. 3 is a rear elevational view thereof;

FIG. 4 is a left side elevational view thereof;

FIG. 5 is a right side elevational view thereof; and,

FIG. 6 is a top plan view thereof.

Portions in broken lines show unclaimed subject matter only and form no part of the claimed design.

1 Claim, 4 Drawing Sheets

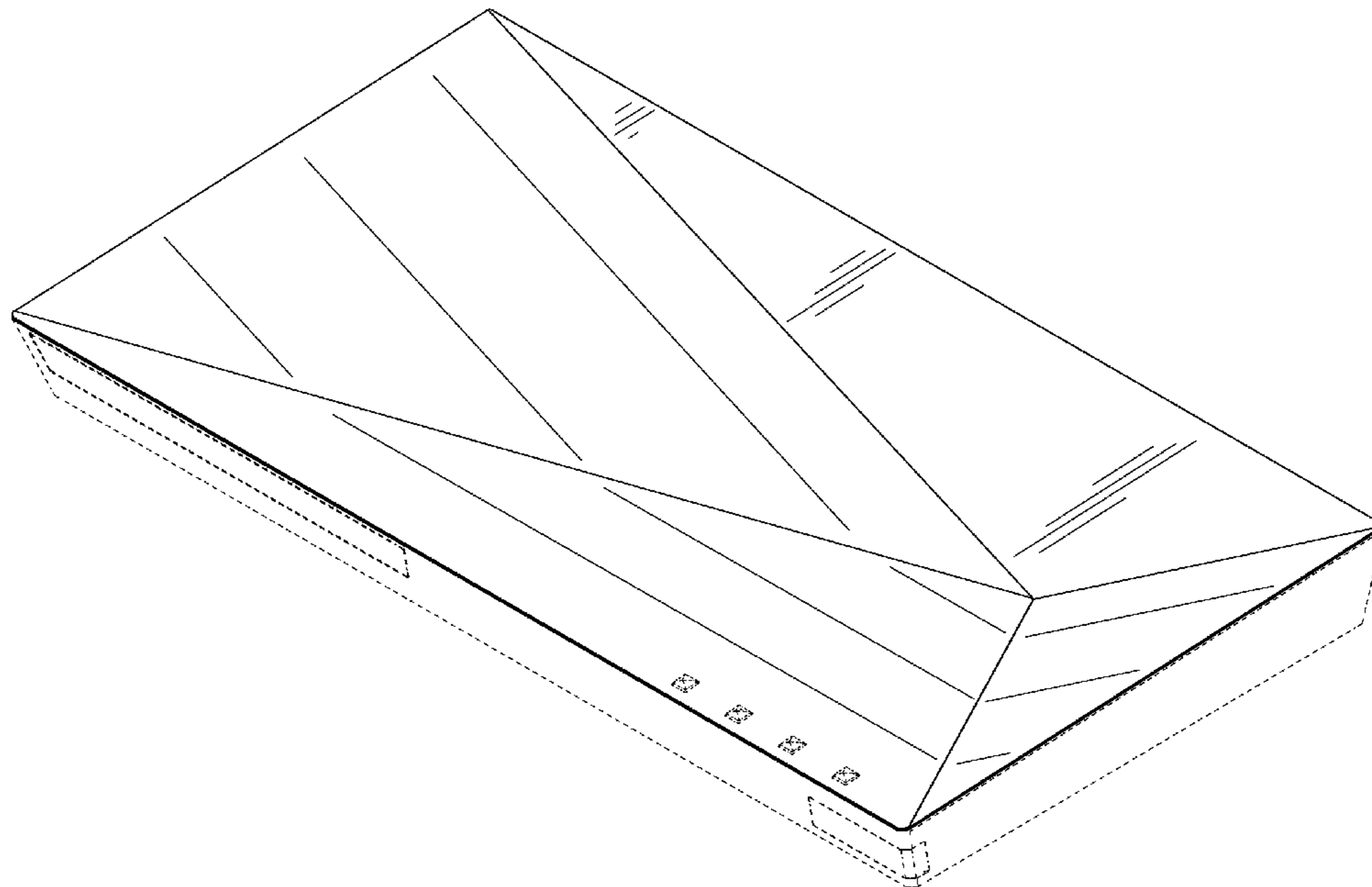


FIG.1

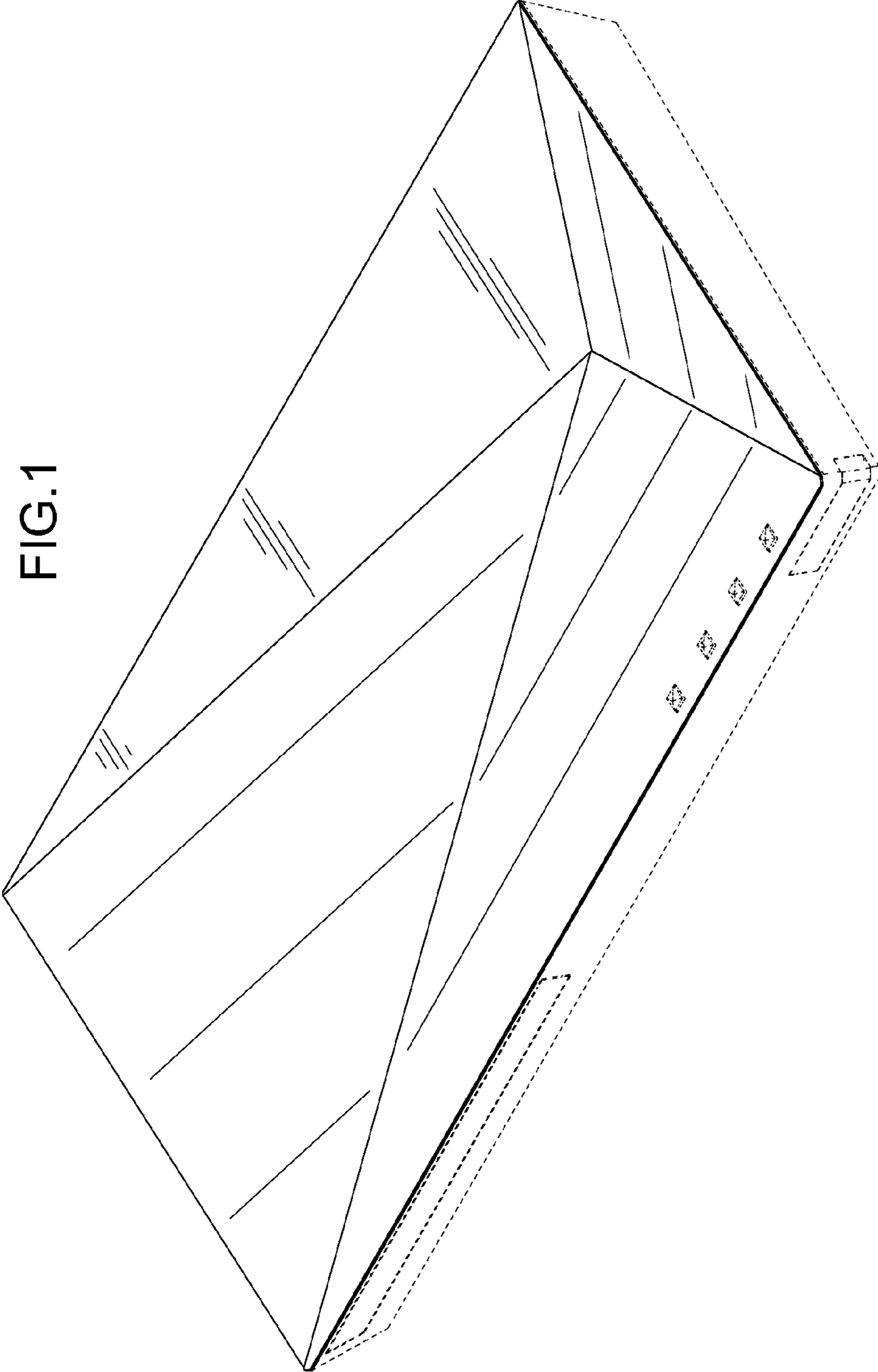


FIG.2

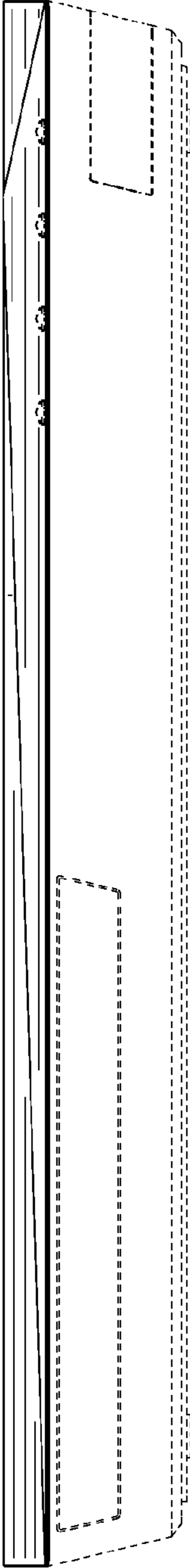


FIG.3

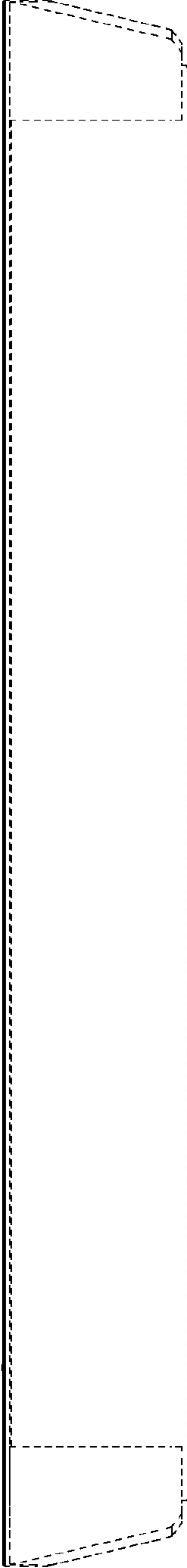


FIG.4

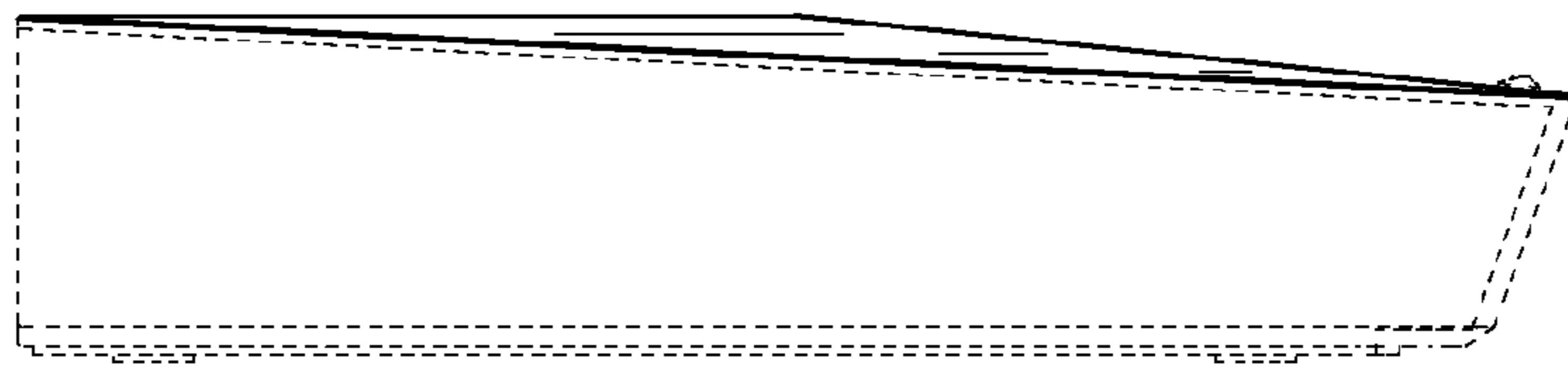


FIG.5

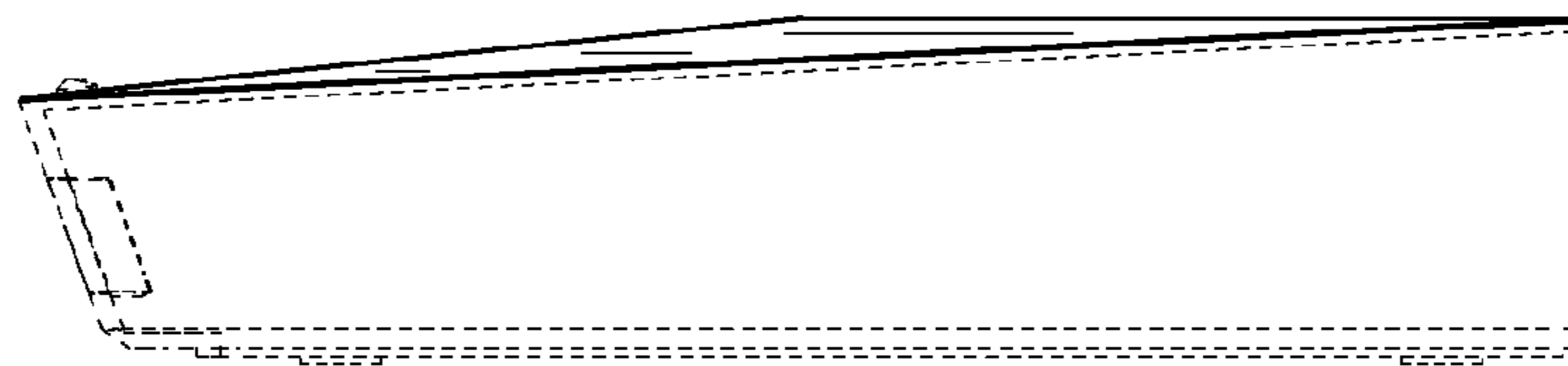


FIG.6

