



US00D705785S

(12) **United States Design Patent**
Wang

(10) **Patent No.:** **US D705,785 S**
(45) **Date of Patent:** **** May 27, 2014**

- (54) **ADJUSTABLE STAND FOR PORTABLE ELECTRONIC DEVICE**
- (71) Applicant: **Deflecto LLC**, Indianapolis, IN (US)
- (72) Inventor: **Robin Wang**, Foshan (CN)
- (73) Assignee: **Deflecto, LLC**, Indianapolis, IN (US)
- (**) Term: **14 Years**
- (21) Appl. No.: **29/454,075**
- (22) Filed: **May 6, 2013**
- (51) **LOC (10) Cl.** **08-07**
- (52) **U.S. Cl.**
USPC **D14/447**
- (58) **Field of Classification Search**
USPC D14/447, 432, 434, 439, 440, 451, 452,
D14/457, 460, 461, 238.1, 250, 251, 253;
D3/218; D6/406.3, 406.4, 406.5,
D6/406.6; 248/444, 441.1, 188.6,
248/917-924; 361/679.02, 679.03, 679.04,
361/679.09, 679.21, 679.26, 679.27, 679.3,
361/679.55, 679.56
See application file for complete search history.

(56) **References Cited**

U.S. PATENT DOCUMENTS

- D244,331 S * 5/1977 Woods D18/12
 - 6,435,466 B1 * 8/2002 Adams 248/455
- (Continued)

Primary Examiner — Angela J Lee

(74) *Attorney, Agent, or Firm* — Dentons US LLP; Brian R. McGinley

(57) **CLAIM**

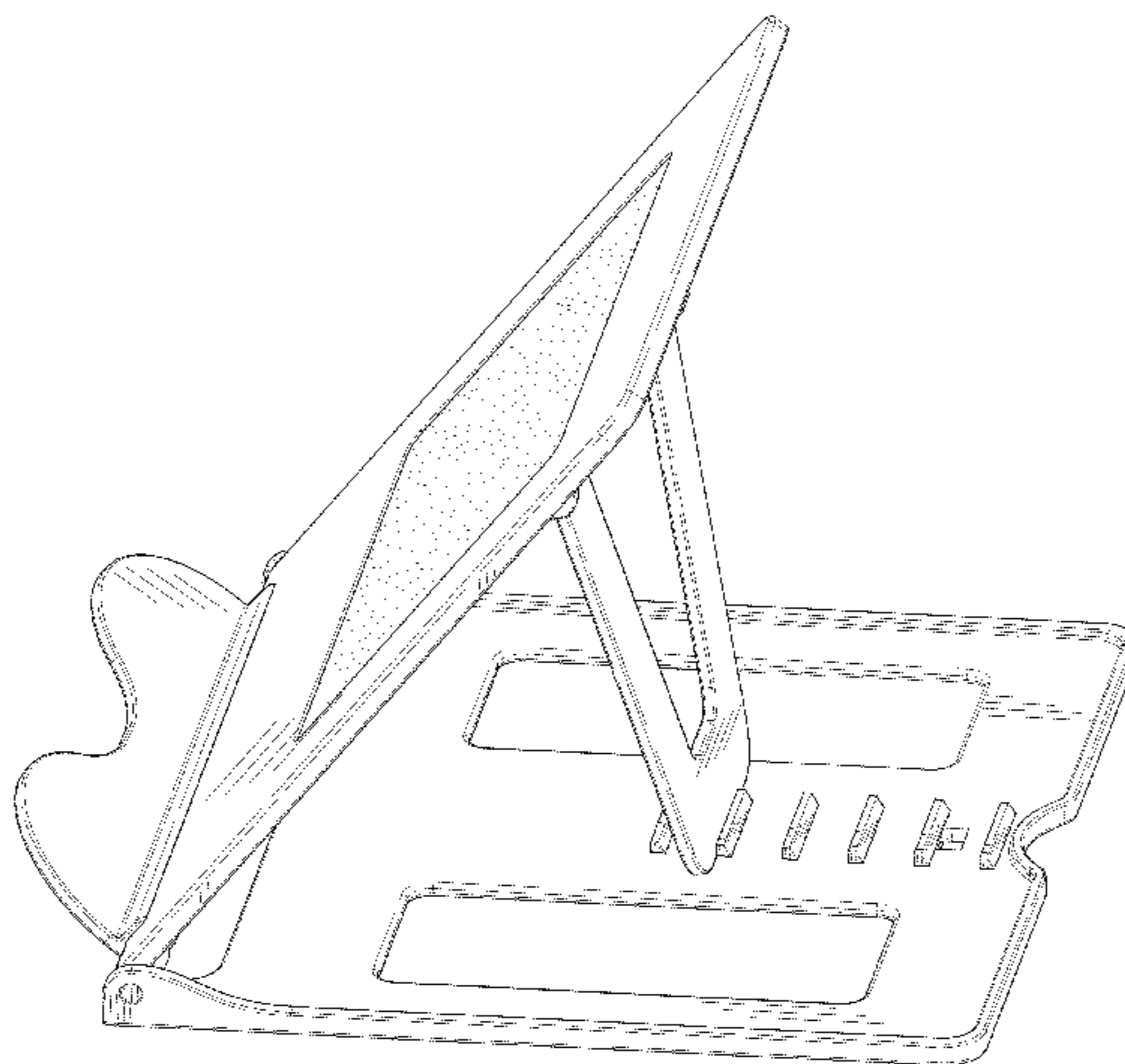
The ornamental design for a adjustable stand for portable electronic device, as shown and described.

DESCRIPTION

FIG. 1 is a front, right perspective view of the adjustable stand for portable electronic device illustrating the new design and showing the device in an open or expanded configuration;

FIG. 2 is a front elevational view of the adjustable stand for portable electronic device illustrated in FIG. 1;
 FIG. 3 is a rear elevational view of the adjustable stand for portable electronic device shown in FIG. 1;
 FIG. 4 is an left-side elevational view of the adjustable stand for portable electronic device shown in FIG. 1 (the right-side elevational view of the device is a mirror image of FIG. 4);
 FIG. 5 is a top view of the adjustable stand for portable electronic device shown in FIG. 1;
 FIG. 6 is a bottom view of the adjustable stand for portable electronic device shown in FIG. 1;
 FIG. 7 is a front, right perspective view of the adjustable stand for portable electronic device shown in FIG. 1 and showing the device in a closed or collapsed configuration;
 FIG. 8 is a front elevational view of the adjustable stand for portable electronic device shown in FIG. 7;
 FIG. 9 is a left side elevational view of the adjustable stand for portable electronic device shown in FIG. 7 (the right side elevational view of the device is a mirror image of FIG. 9);
 FIG. 10 is a front, right perspective view of a second embodiment of the adjustable stand for portable electronic device and showing the device in a open or expanded configuration;
 FIG. 11 is a front elevational view of the adjustable stand for portable electronic device shown in FIG. 10;
 FIG. 12 is a rear elevational view of the adjustable stand for portable electronic device shown in FIG. 10;
 FIG. 13 is a right side view of the adjustable stand for portable electronic device shown in FIG. 10 (the left side elevational view of the device is a mirror image of FIG. 13);
 FIG. 14 is a top view of the adjustable stand for portable electronic device shown in FIG. 10;
 FIG. 15 is a bottom view of the adjustable stand for portable electronic device shown in FIG. 10;
 FIG. 16 is a front, right perspective view of the adjustable stand for portable electronic device shown in FIG. 10 and showing the device in a closed or collapsed configuration;
 FIG. 17 is a front elevational view of the adjustable stand for portable electronic device shown in FIG. 16; and,
 FIG. 18 is a right side elevational view of the adjustable stand for portable electronic device shown in FIG. 16 (the left side elevational view of the device is a mirror image or FIG. 18).

1 Claim, 14 Drawing Sheets



(56)

References Cited

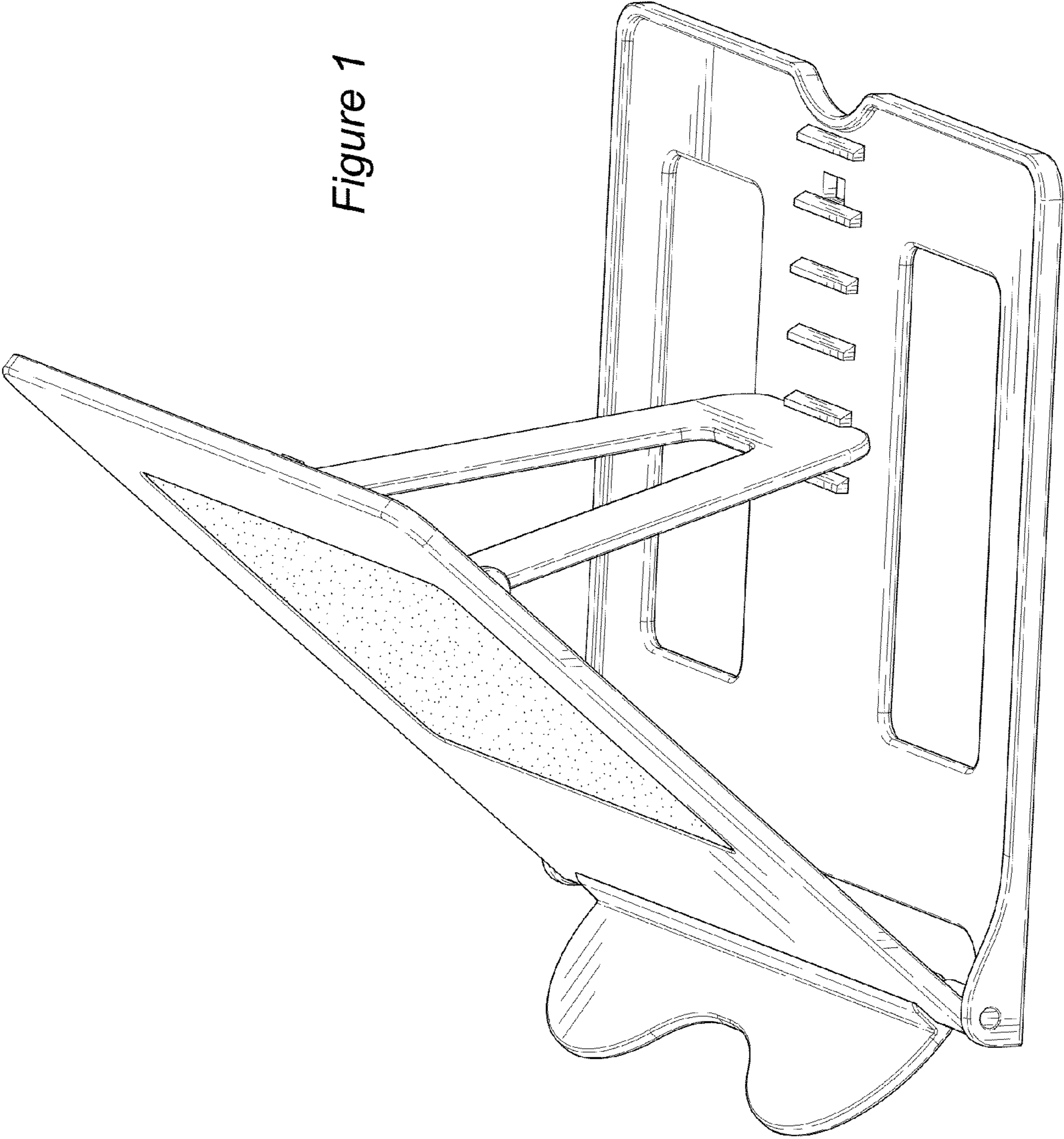
U.S. PATENT DOCUMENTS

D513,008 S * 12/2005 Takizawa et al. D14/447
D557,698 S * 12/2007 Lye D14/447
7,770,864 B2 * 8/2010 Phifer et al. 248/455
7,828,260 B2 * 11/2010 Hauser et al. 248/456

D639,816 S * 6/2011 Bau D14/447
D667,012 S * 9/2012 Chen et al. D14/447
D672,783 S * 12/2012 Robinson D14/447
D676,449 S * 2/2013 Probst et al. D14/440
D676,853 S * 2/2013 Gengler D14/447
8,424,465 B2 * 4/2013 Florendo, Jr. 108/9
D693,824 S * 11/2013 Erdfarb D14/447

* cited by examiner

Figure 1



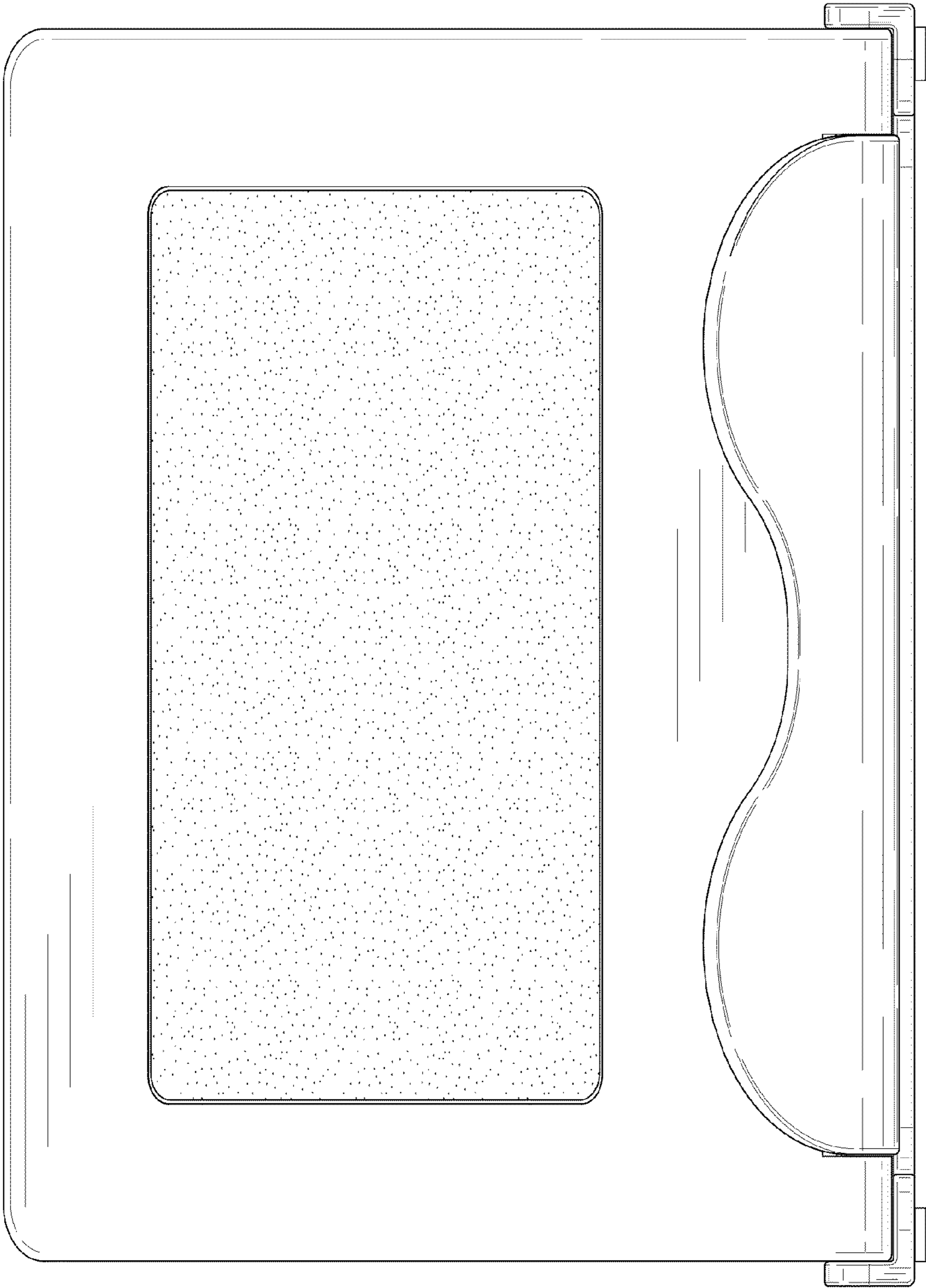


Figure 2

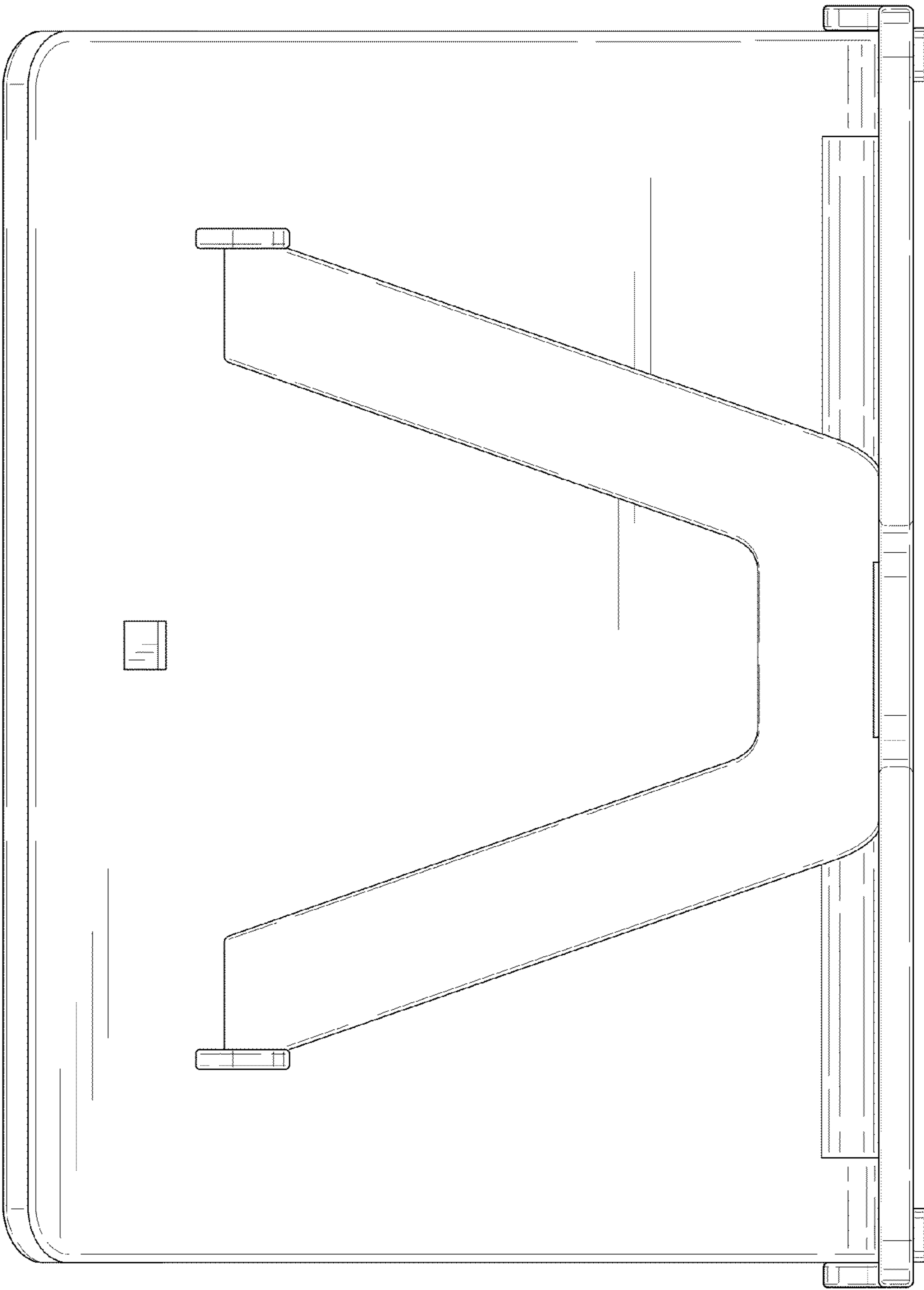


Figure 3

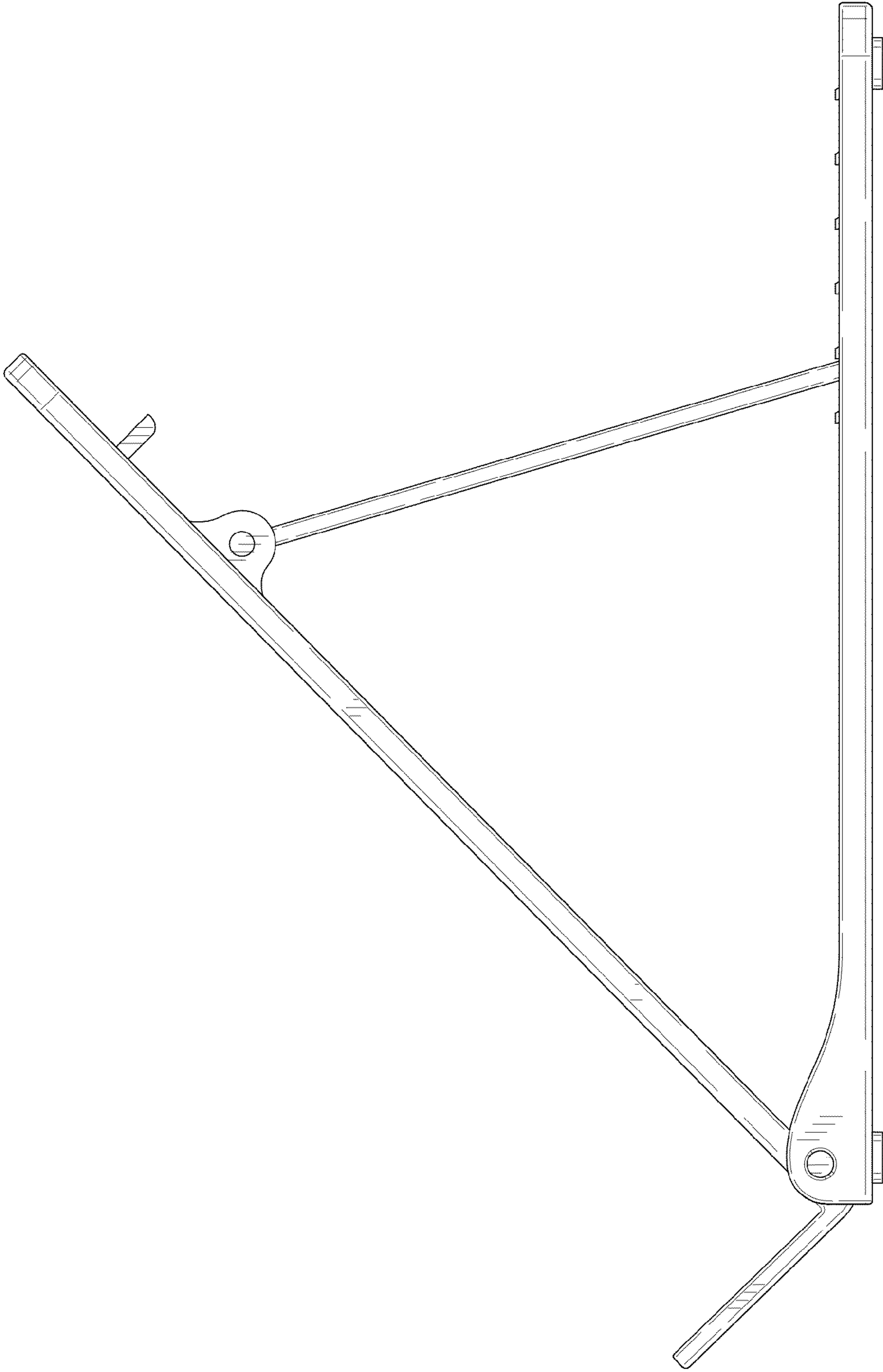


Figure 4

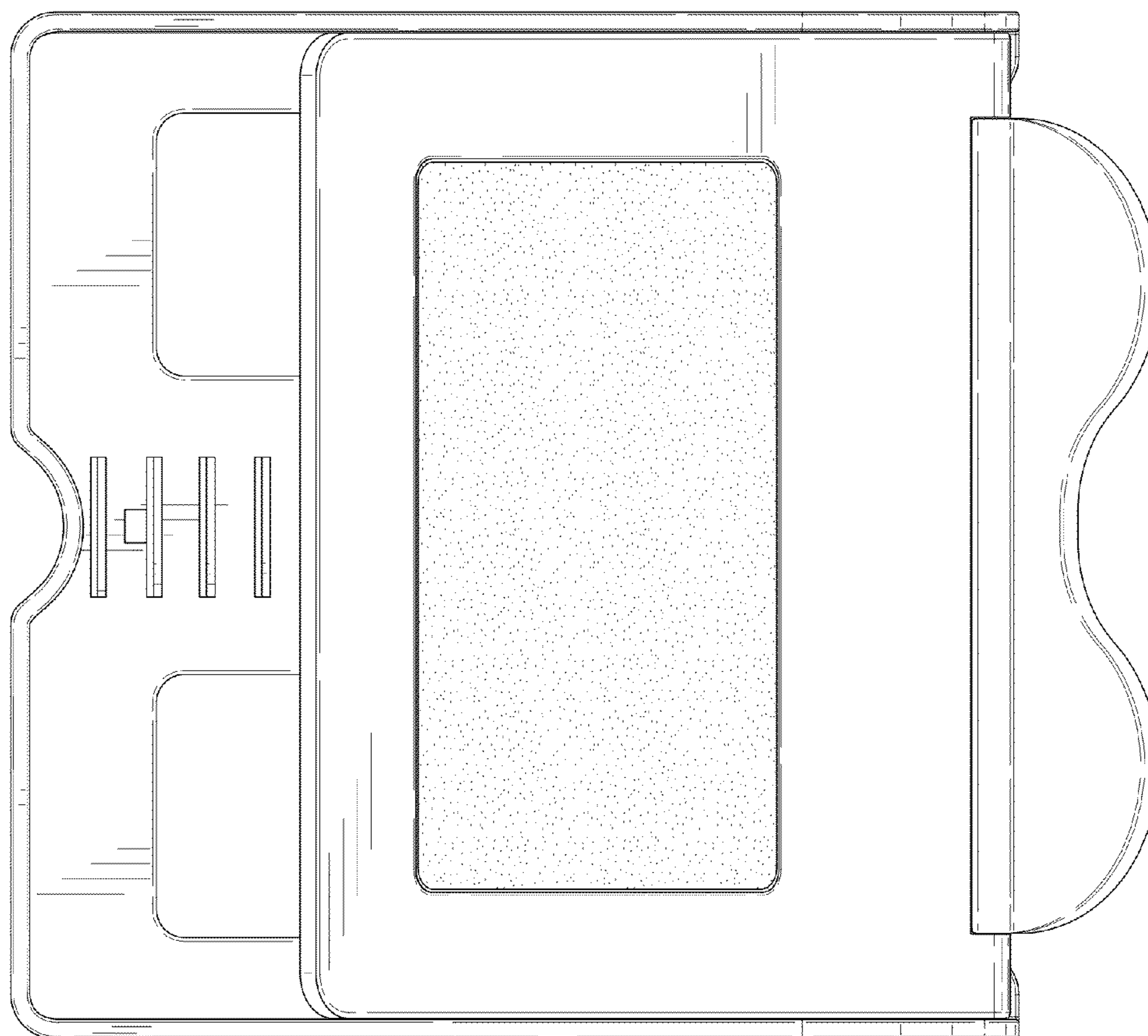


Figure 5

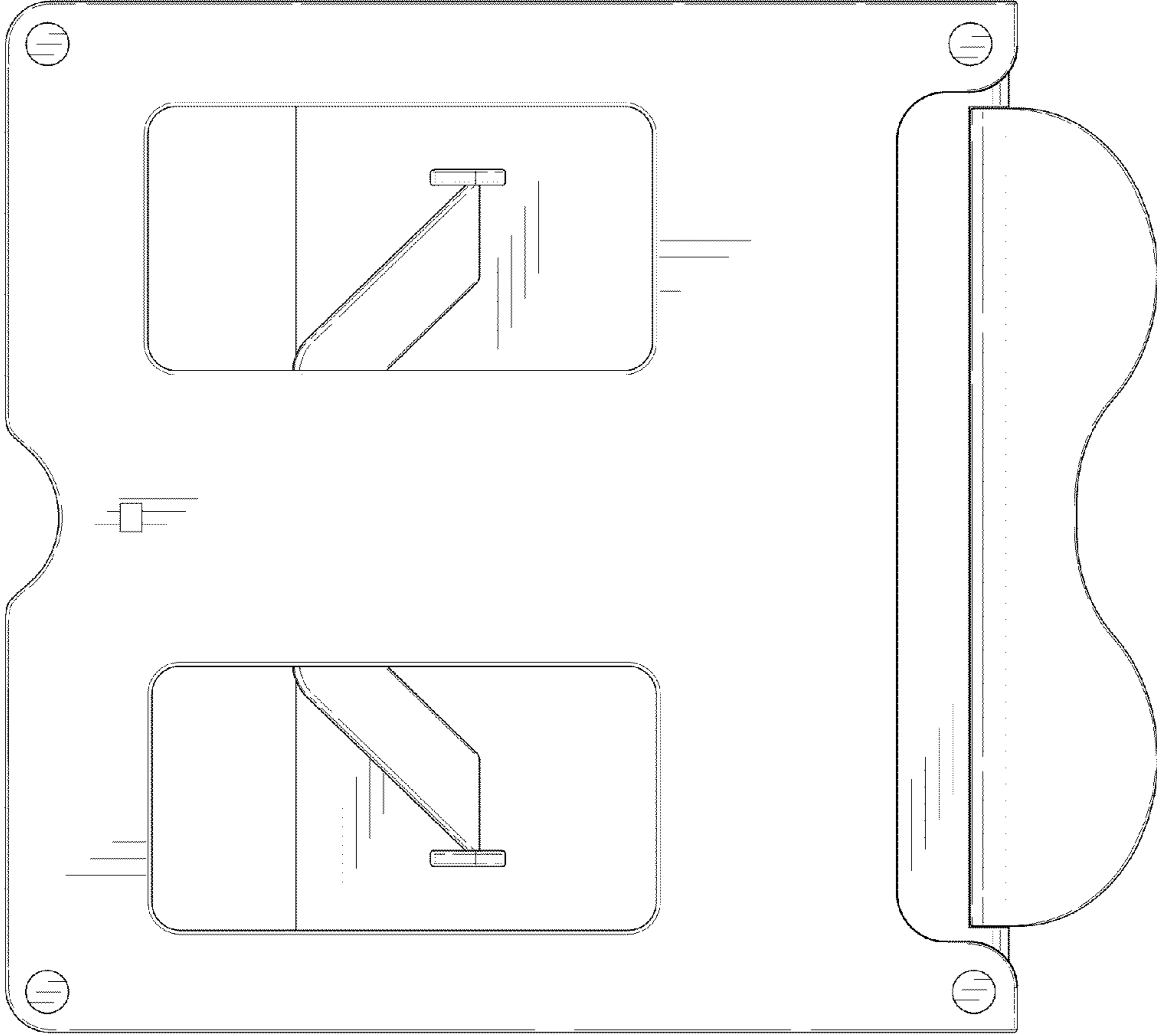


Figure 6

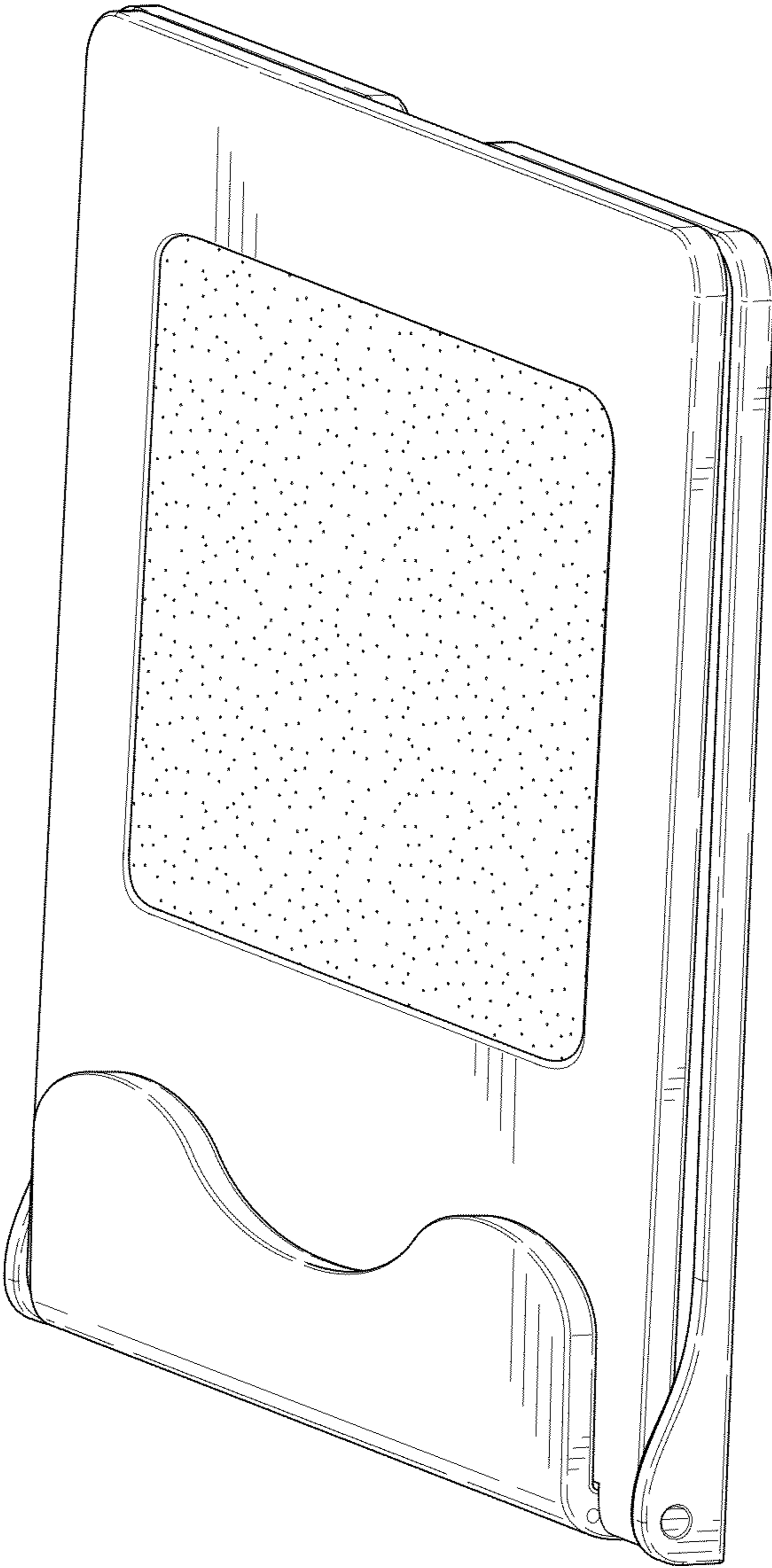


Figure 7

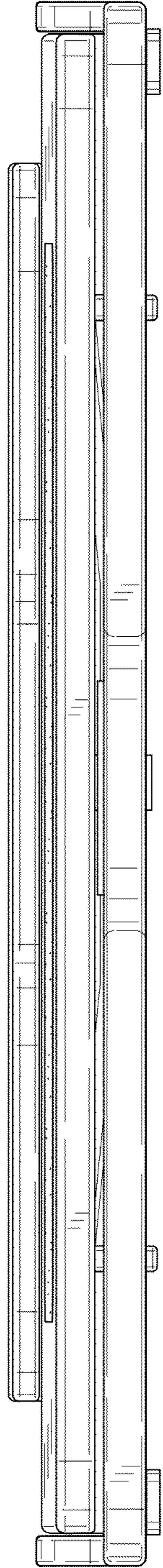


Figure 8

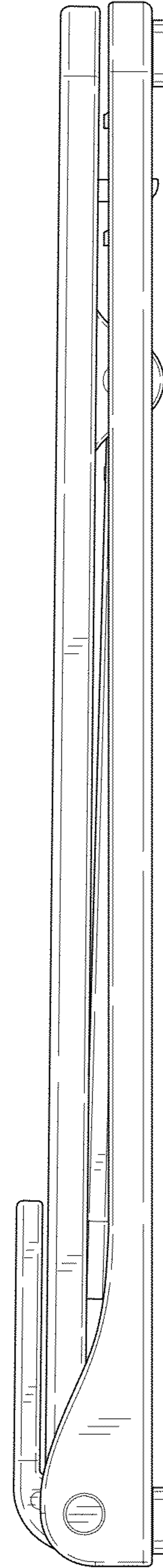


Figure 9

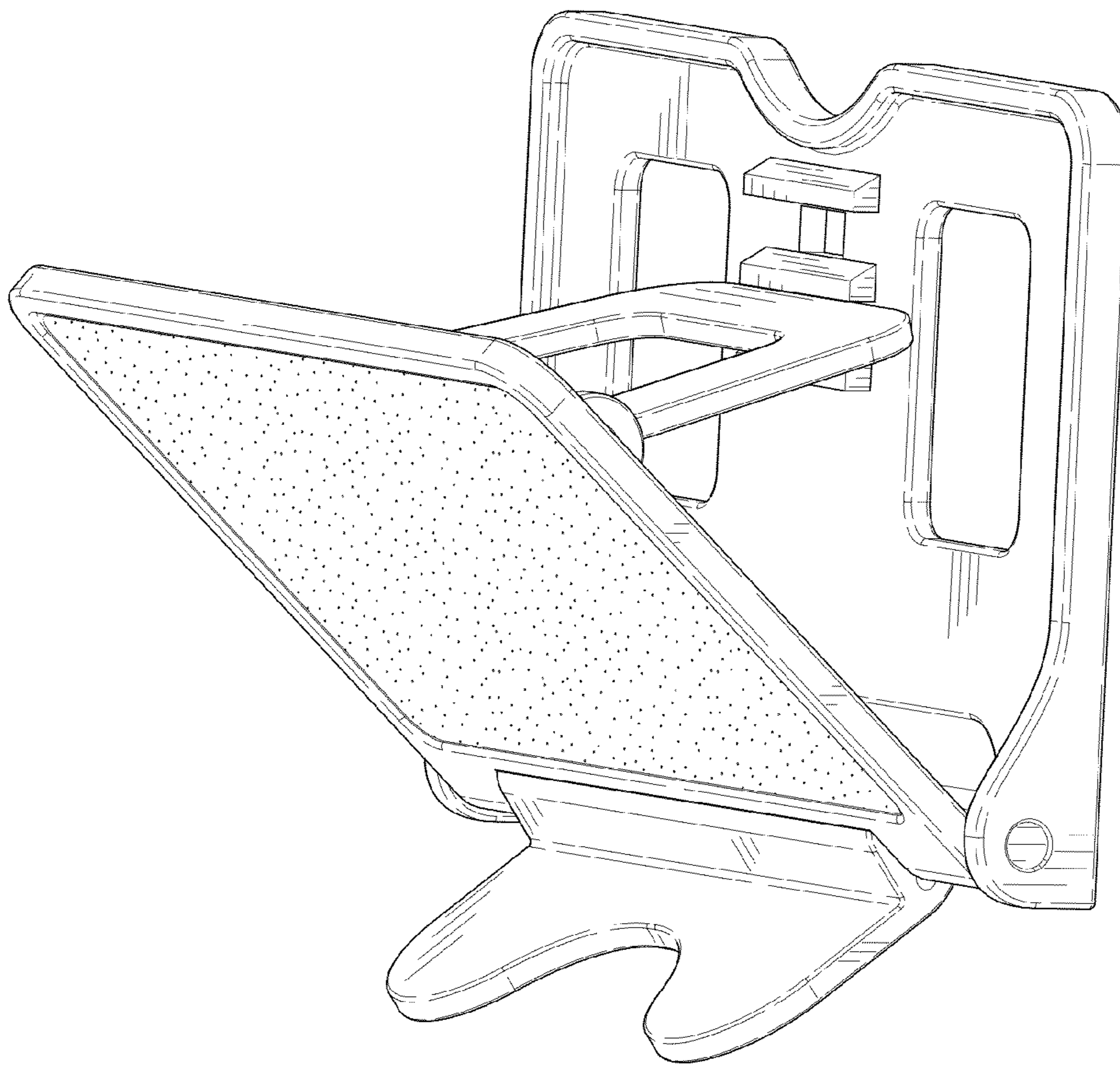


Figure 10

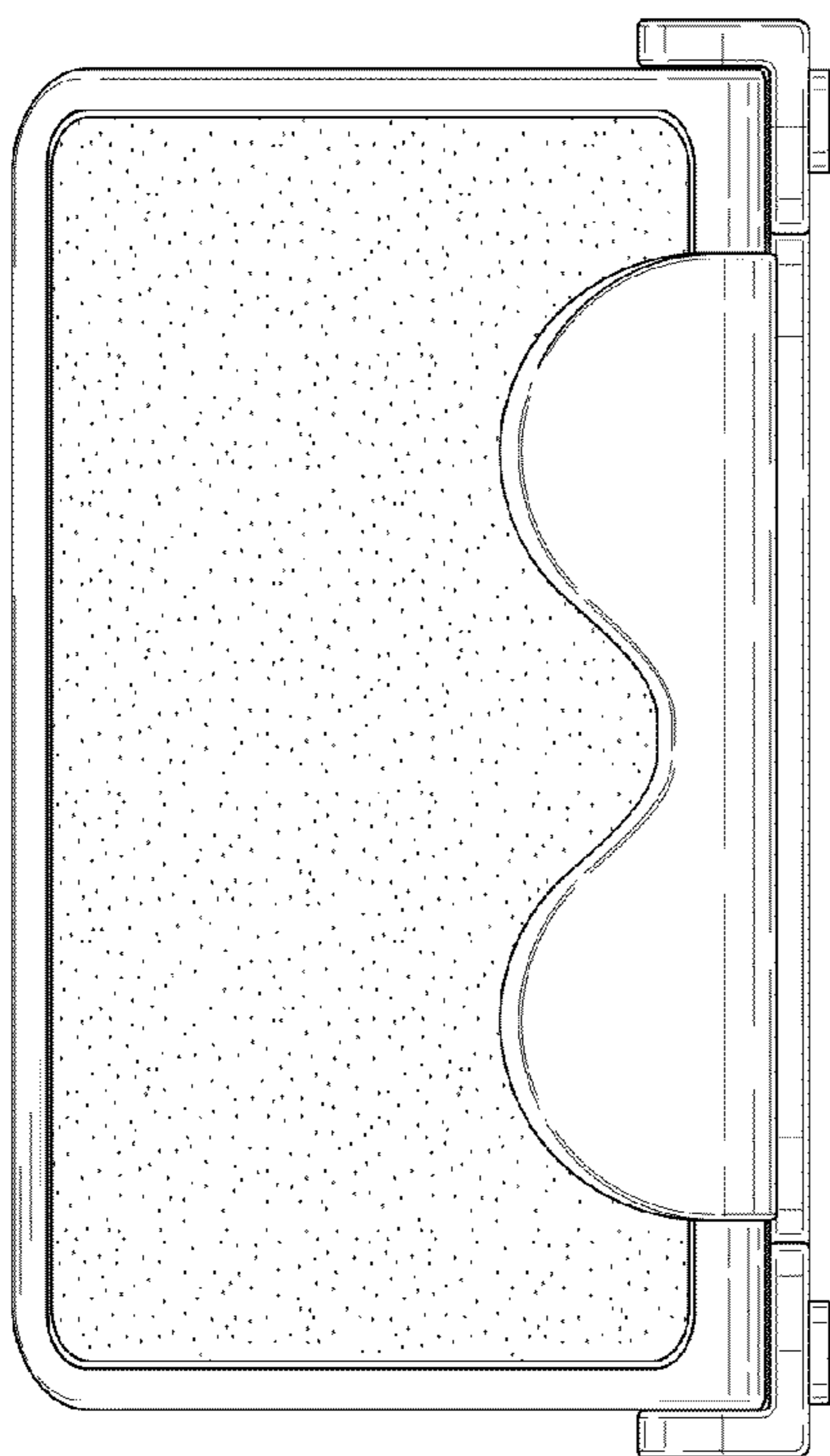


Figure 11

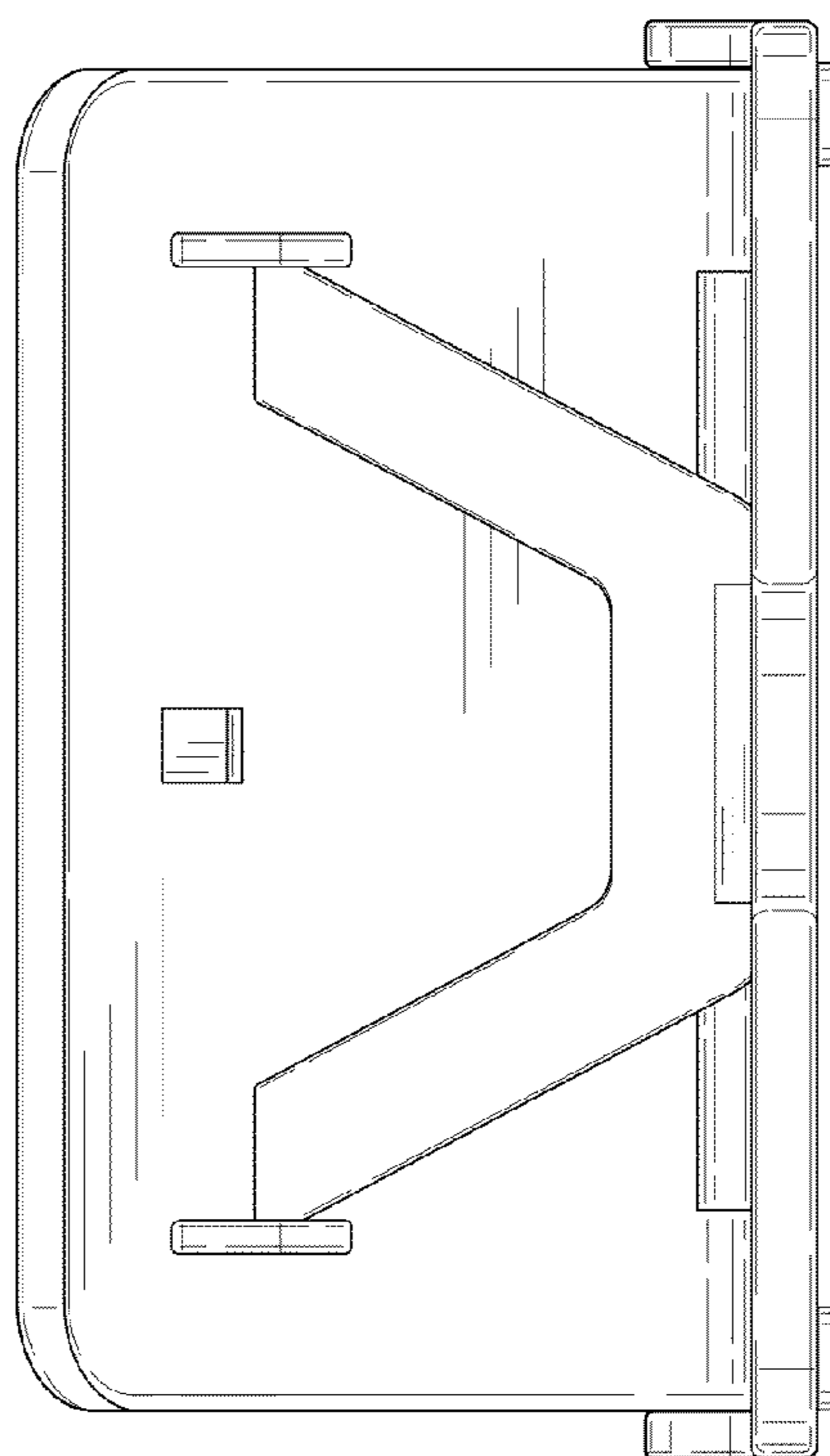


Figure 12

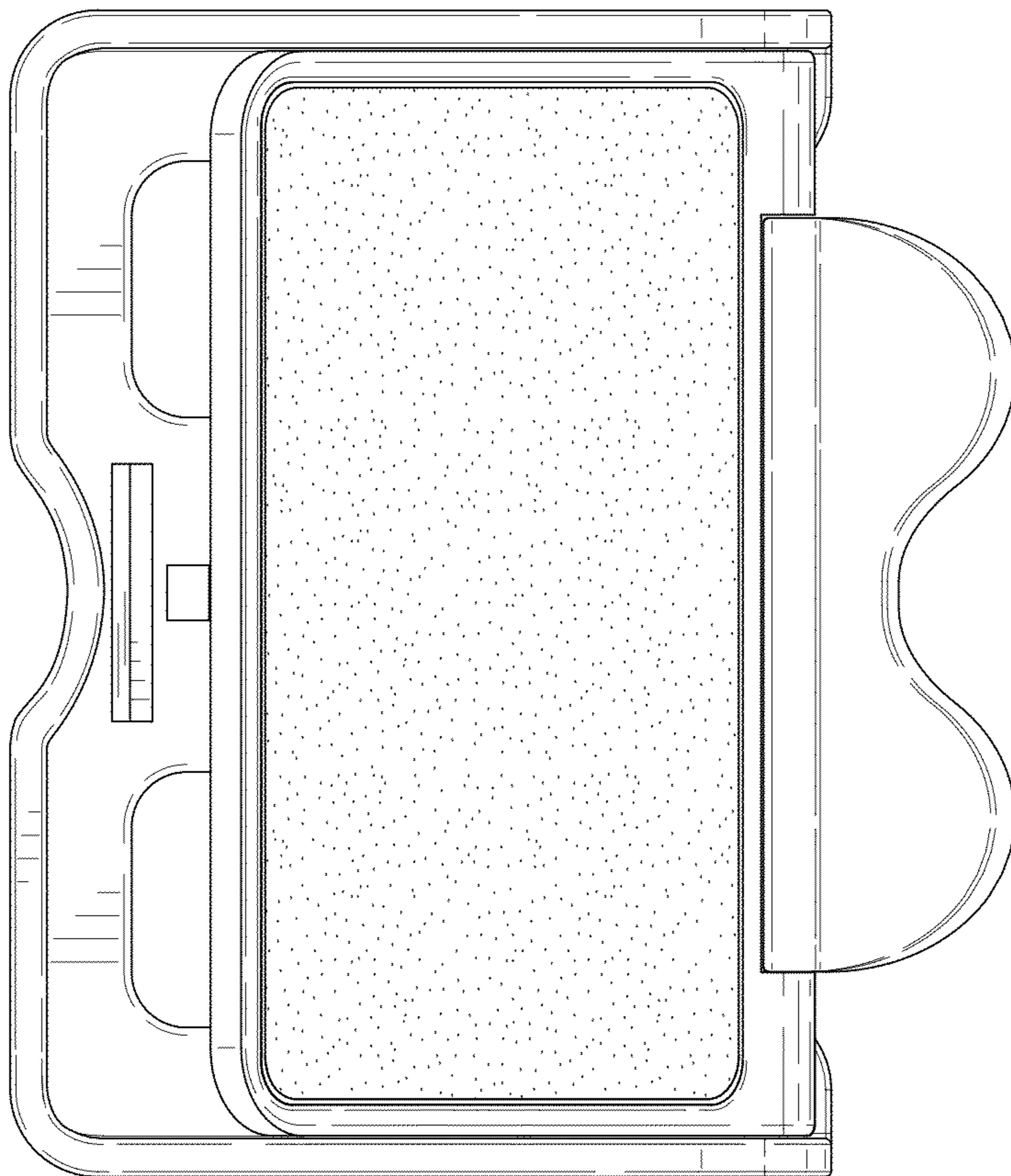


Figure 14

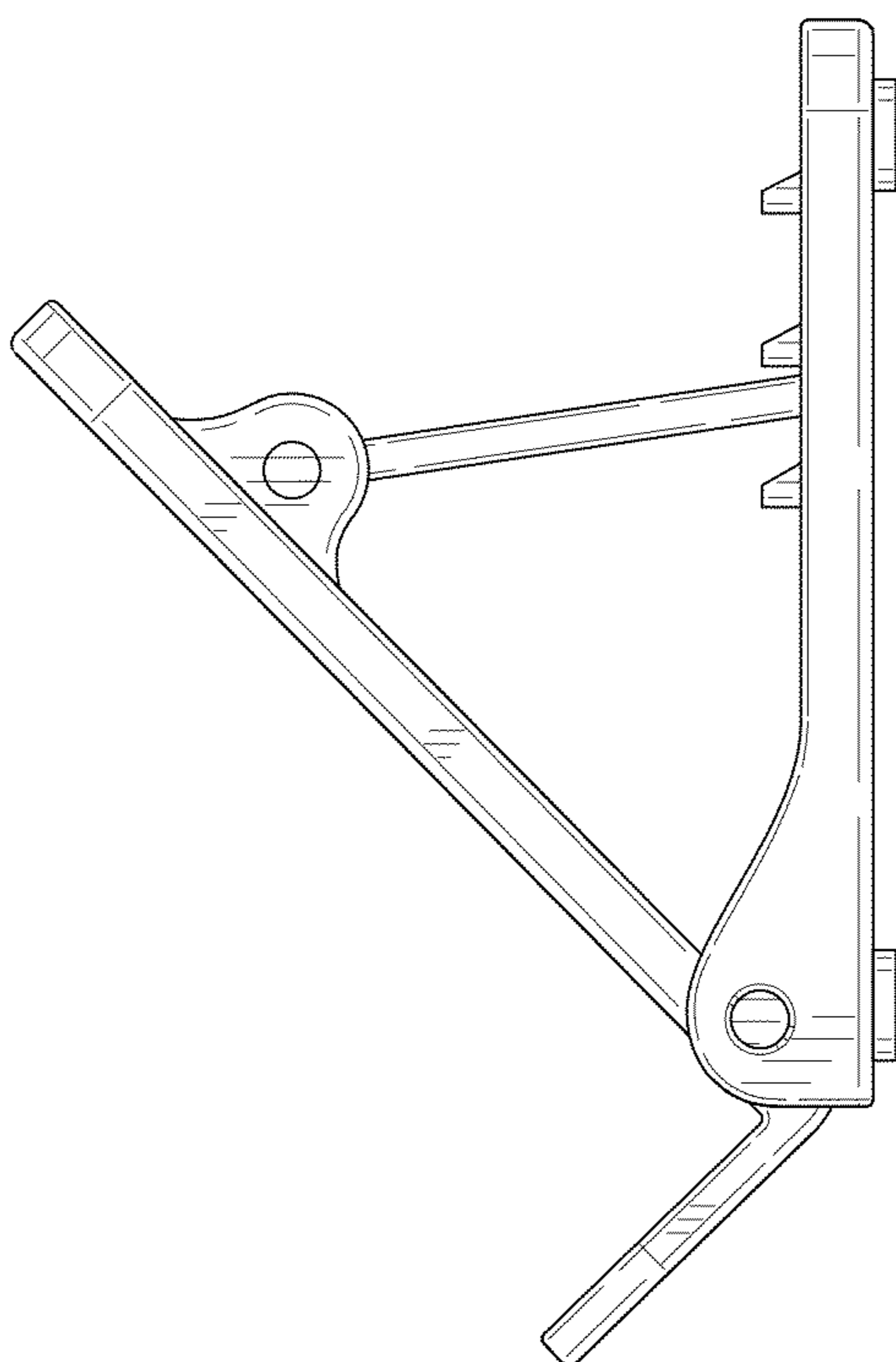


Figure 13

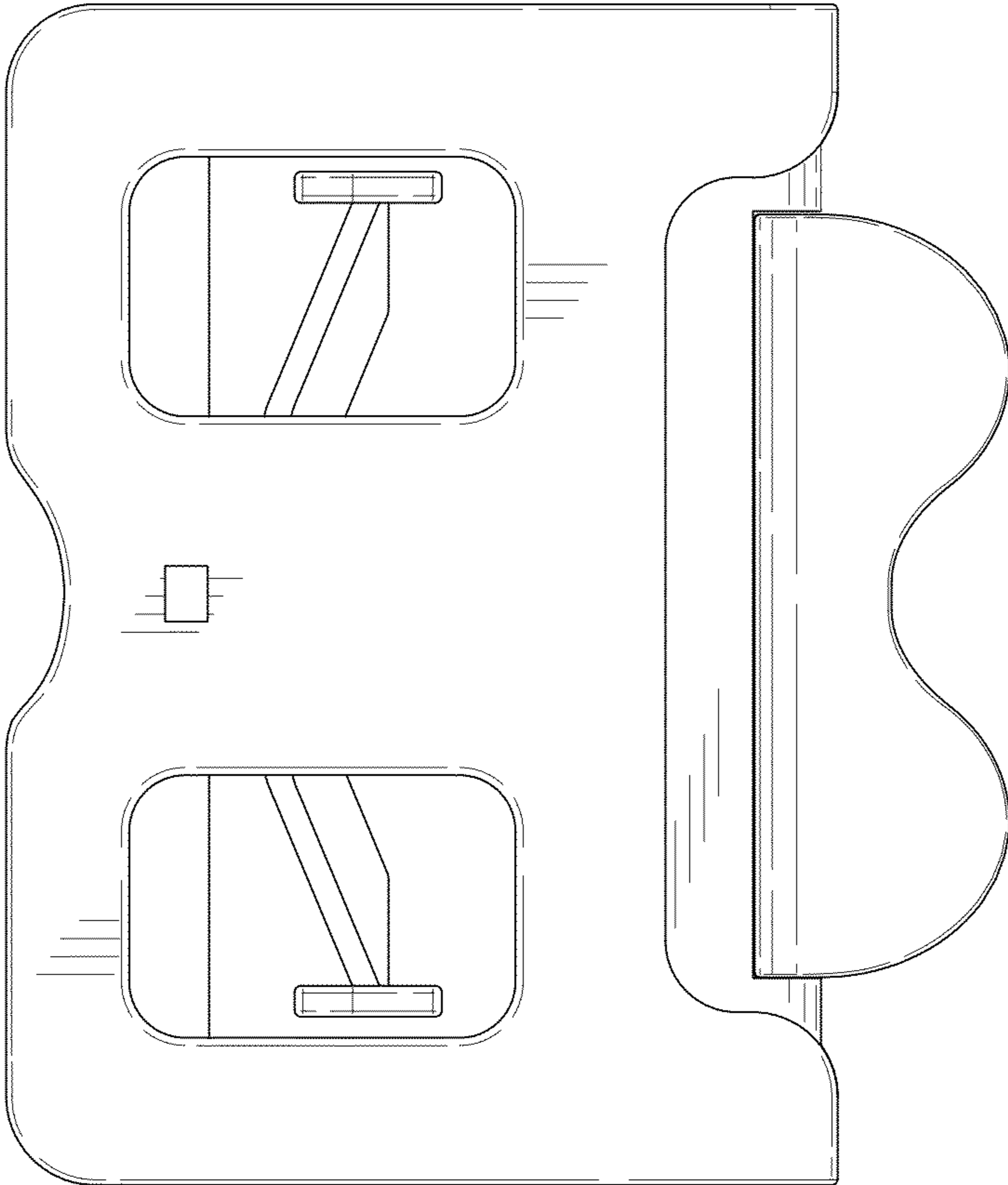


Figure 15

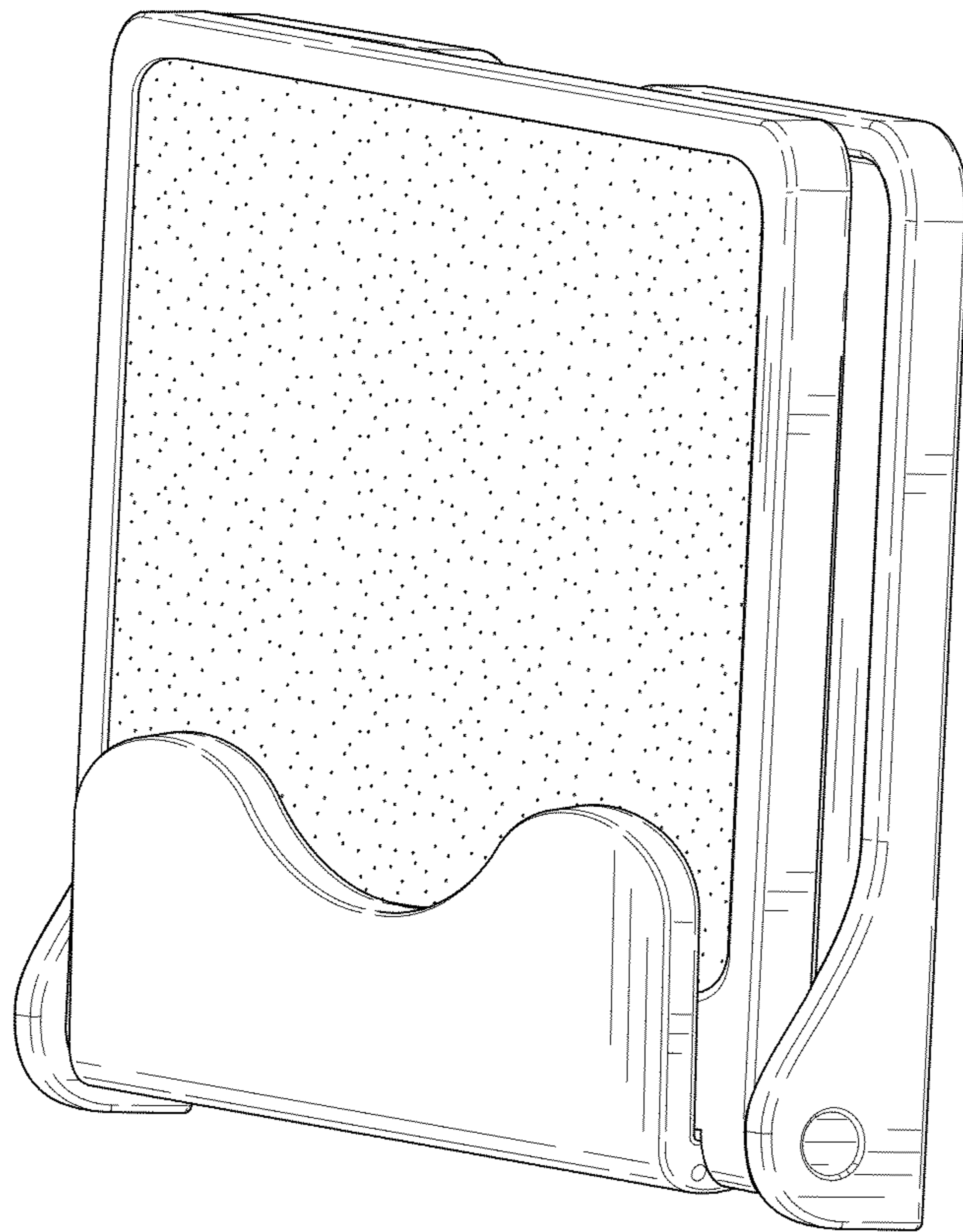


Figure 16

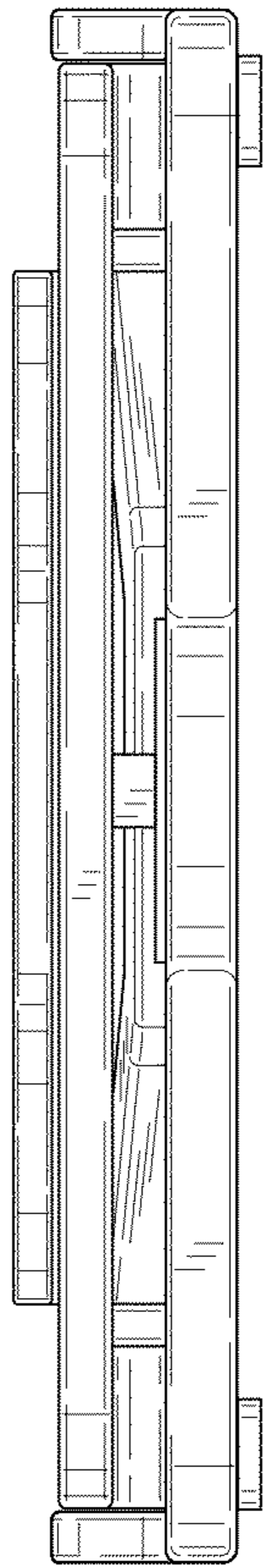


Figure 17

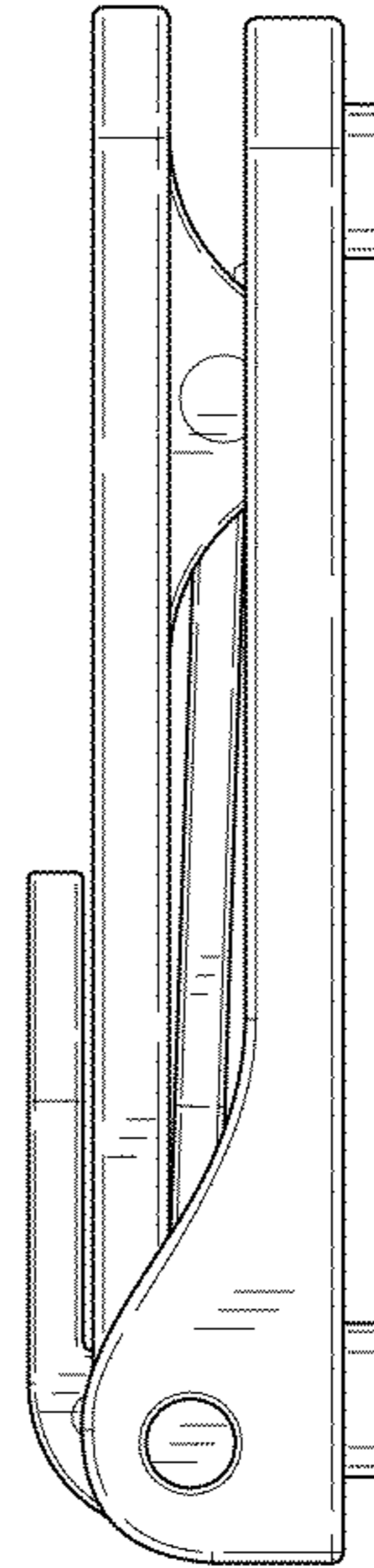


Figure 18