



US00D705781S

(12) **United States Design Patent**  
**Yin et al.**

(10) **Patent No.:** **US D705,781 S**  
(45) **Date of Patent:** **\*\* May 27, 2014**

(54) **IMAGING DEVICE**

(71) Applicant: **Hewlett-Packard Development Company, L.P.**, Houston, TX (US)

(72) Inventors: **Gang Yin**, Pudong (CN); **Yu Ri Kim**, Singapore (CN); **Chung Chiet Edwin Chin**, Singapore (CN); **Jing Zhang**, Shanghai (CN); **Christopher Khim Yam**, Singapore (CN); **Qin Li**, Shanghai (CN); **Su Nick**, Singapore (CN)

(73) Assignee: **Hewlett-Packard Development Company, L.P.**, Houston, TX (US)

(\*\*) Term: **14 Years**

(21) Appl. No.: **29/450,922**

(22) Filed: **Mar. 26, 2013**

(51) **LOC (10) Cl.** ..... **14-02**

(52) **U.S. Cl.**  
USPC ..... **D14/421**

(58) **Field of Classification Search**  
USPC ..... D14/421-425; D18/55, 49, 46, 40, D18/36-39, 41, 44, 45, 47, 48, 50-54, 56; 235/462, 455, 470, 462.43, 482, 483; 358/474, 486, 488, 496, 497, 498, 452, 358/449, 451, 453, 1.13; 318/685, 696; 355/81, 75; 399/405, 367, 379, 380; 382/217; 715/209, 222, 226, 274; 400/613, 613.1-613.4, 690.1-690.4, 400/691-694

See application file for complete search history.

(56) **References Cited**

**U.S. PATENT DOCUMENTS**

D350,765 S \* 9/1994 Hiroki et al. .... D18/36  
D501,019 S \* 1/2005 Yoshida et al. .... D18/39  
7,062,197 B2 \* 6/2006 Kunugi ..... 399/107

D528,155 S \* 9/2006 Katayama ..... D18/55  
D528,597 S \* 9/2006 King et al. .... D18/55  
D532,449 S \* 11/2006 Tjin Wong Joe et al. .... D18/55  
D532,450 S \* 11/2006 Smith et al. .... D18/55  
D533,218 S \* 12/2006 Gant et al. .... D18/55  
D534,175 S \* 12/2006 Orihashi et al. .... D14/463  
D534,947 S \* 1/2007 Gant et al.  
D536,372 S \* 2/2007 Lim et al. .... D18/53  
D550,279 S \* 9/2007 Tani ..... D18/50

(Continued)

**OTHER PUBLICATIONS**

One photograph of "HP Officejet 4580 All-in-One Printer Price List found at" <http://www.priceindia.in/computer/hp-officejet-4500-all-in-one-printer-price-list>. The HP Officejet printer was on sale in the U.S. more than one-year prior to the filing of the subject application, that is, at least as early as Mar. 1, 2012. One (1) page.

(Continued)

*Primary Examiner* — Susan Moon Lee

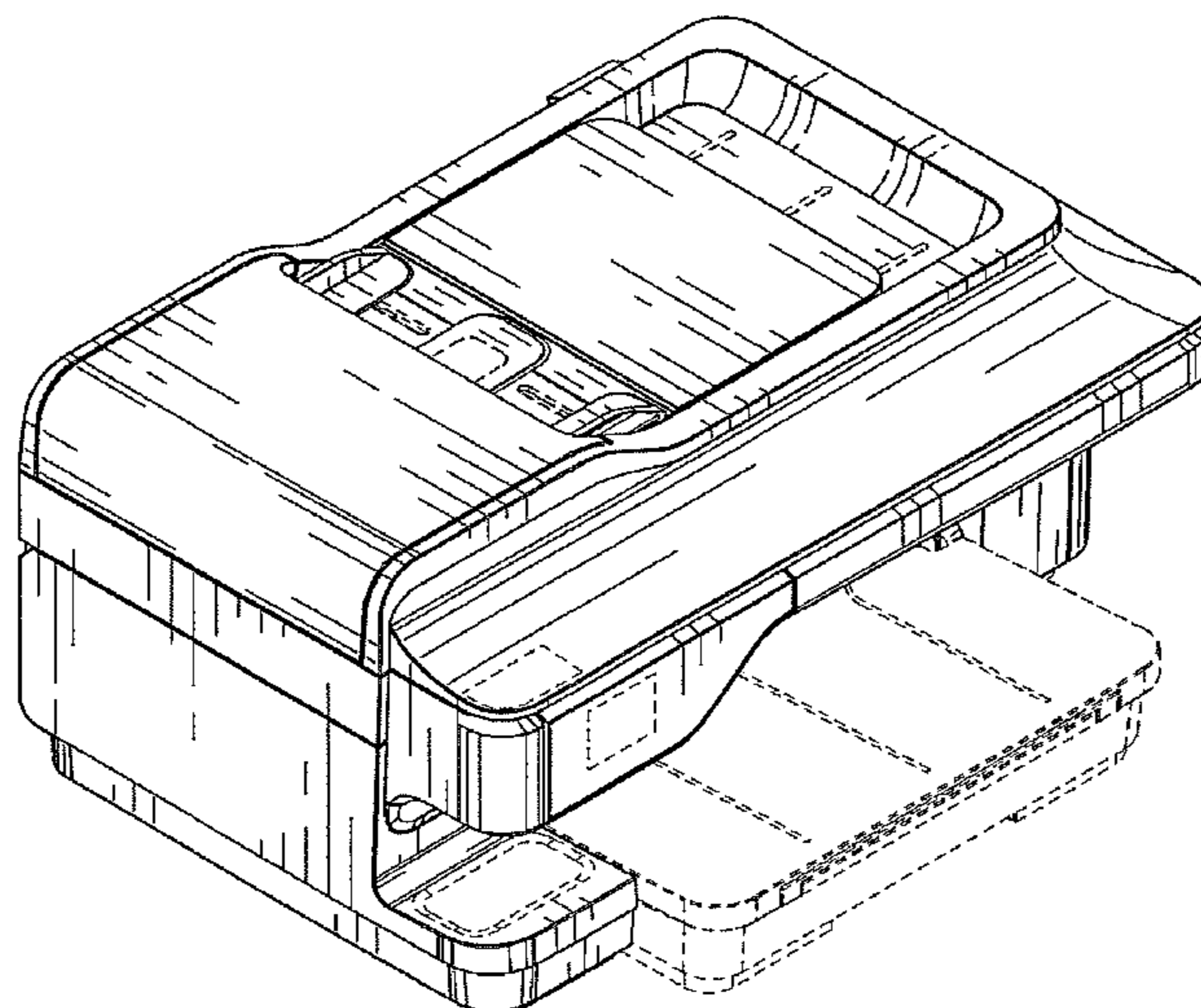
(57) **CLAIM**

The ornamental design for an imaging device, as shown and described.

**DESCRIPTION**

FIG. 1 is a left front perspective view of an imaging device; FIG. 2 is a right front perspective view thereof; FIG. 3 is a left rear perspective view thereof; FIG. 4 is a right rear perspective view thereof; FIG. 5 is a front elevation view thereof; FIG. 6 is a rear elevation view thereof; FIG. 7 is a left side elevation view thereof; FIG. 8 is a right side elevation view thereof; FIG. 9 is a top plan view thereof; and, FIG. 10 is a bottom plan view thereof. Those portions of the Figures shown in broken lines are included for environmental purposes only and form no part of the claimed design.

**1 Claim, 10 Drawing Sheets**



(56)

## References Cited

## U.S. PATENT DOCUMENTS

- |           |      |         |                      |       |         |
|-----------|------|---------|----------------------|-------|---------|
| D555,194  | S *  | 11/2007 | Smith et al.         | ..... | D18/55  |
| D558,824  | S *  | 1/2008  | Alfonso et al.       | ..... | D18/55  |
| D559,899  | S    | 1/2008  | Leong et al.         |       |         |
| D561,250  | S    | 2/2008  | Smith et al.         |       |         |
| D566,755  | S    | 4/2008  | Gant et al.          |       |         |
| D573,145  | S *  | 7/2008  | Laidlaw et al.       | ..... | D14/421 |
| D573,633  | S    | 7/2008  | Laidlaw et al.       |       |         |
| D574,886  | S *  | 8/2008  | Mase et al.          | ..... | D18/55  |
| D575,330  | S *  | 8/2008  | Egami et al.         | ..... | D18/55  |
| D576,203  | S *  | 9/2008  | Laidlaw et al.       | ..... | D18/55  |
| D584,766  | S *  | 1/2009  | Tani                 | ..... | D18/55  |
| D586,384  | S *  | 2/2009  | Yamaguchi et al.     | ..... | D18/55  |
| D591,302  | S *  | 4/2009  | Yagi et al.          | ..... | D14/421 |
| D594,508  | S    | 6/2009  | Joe et al.           |       |         |
| D595,347  | S *  | 6/2009  | Tjin Wong Joe et al. | ..... | D18/55  |
| D605,222  | S *  | 12/2009 | Yoshioka et al.      | ..... | D18/55  |
| D607,505  | S *  | 1/2010  | Sasaki et al.        | ..... | D18/55  |
| D609,270  | S *  | 2/2010  | Kato et al.          | ..... | D18/55  |
| D609,741  | S *  | 2/2010  | Tani                 | ..... | D18/55  |
| D611,091  | S *  | 3/2010  | Ishikawa et al.      | ..... | D18/55  |
| D613,791  | S *  | 4/2010  | Yoshioka et al.      | ..... | D18/55  |
| D613,792  | S *  | 4/2010  | Suzuki et al.        | ..... | D18/55  |
| D614,235  | S *  | 4/2010  | Nakata               | ..... | D18/55  |
| D614,693  | S *  | 4/2010  | Kato et al.          | ..... | D18/50  |
| D616,927  | S *  | 6/2010  | Suzuki et al.        | ..... | D18/55  |
| D633,556  | S *  | 3/2011  | Park et al.          | ..... | D18/55  |
| D641,778  | S *  | 7/2011  | Lee et al.           | ..... | D18/55  |
| D642,212  | S *  | 7/2011  | Terenzio et al.      | ..... | D18/55  |
| D643,464  | S *  | 8/2011  | Sato et al.          | ..... | D18/55  |
| 7,999,976 | B2 * | 8/2011  | Lee                  | ..... | 358/498 |
| D647,133  | S *  | 10/2011 | Sato et al.          | ..... | D18/55  |
| 8,164,806 | B2 * | 4/2012  | Yang et al.          | ..... | 358/498 |
| D660,351  | S *  | 5/2012  | Larson et al.        | ..... | D18/55  |
| D661,345  | S *  | 6/2012  | Asano et al.         | ..... | D18/50  |
| D662,974  | S *  | 7/2012  | Suzuki et al.        | ..... | D18/55  |
| D666,239  | S *  | 8/2012  | Larson et al.        | ..... | D18/55  |
| 8,237,995 | B2 * | 8/2012  | Yamazaki et al.      | ..... | 358/474 |
| D667,488  | S *  | 9/2012  | Inoue et al.         | ..... | D18/55  |
| D670,328  | S *  | 11/2012 | Suzuki et al.        | ..... | D18/55  |
| D673,603  | S *  | 1/2013  | Suzuki et al.        | ..... | D18/55  |
| D674,011  | S *  | 1/2013  | Sato                 | ..... | D18/55  |
| D674,435  | S *  | 1/2013  | Inoue et al.         | ..... | D18/55  |
| 8,368,976 | B2 * | 2/2013  | Hsu                  | ..... | 358/498 |
| 8,379,278 | B2 * | 2/2013  | Kawai                | ..... | 358/498 |
| D680,162  | S *  | 4/2013  | Goh et al.           | ..... | D18/55  |
| D680,163  | S *  | 4/2013  | Lim et al.           | ..... | D18/55  |
| D680,581  | S *  | 4/2013  | Nakata et al.        | ..... | D18/50  |
| D682,928  | S *  | 5/2013  | Kim et al.           | ..... | D18/55  |
| D686,277  | S *  | 7/2013  | Gilbert et al.       | ..... | D18/55  |
| D686,658  | S *  | 7/2013  | Matsuno et al.       | ..... | D18/50  |
| D686,659  | S *  | 7/2013  | Tanaka et al.        | ..... | D18/55  |
| D687,092  | S *  | 7/2013  | Suzuki et al.        | ..... | D18/49  |
| 8,503,049 | B2 * | 8/2013  | Kattou et al.        | ..... | 358/498 |
| 8,520,273 | B2 * | 8/2013  | Lee et al.           | ..... | 358/498 |
| 8,520,274 | B2 * | 8/2013  | Sahara               | ..... | 358/498 |
| D689,543  | S *  | 9/2013  | Seki et al.          | ..... | D18/50  |
| 8,526,081 | B2 * | 9/2013  | Asada et al.         | ..... | 358/498 |
| 8,531,741 | B2 * | 9/2013  | Takeuchi et al.      | ..... | 358/498 |
| 8,542,415 | B2 * | 9/2013  | Takeuchi et al.      | ..... | 358/498 |
| 8,542,416 | B2 * | 9/2013  | Takeuchi             | ..... | 358/498 |
| 8,542,417 | B2 * | 9/2013  | Nagami               | ..... | 358/498 |

## OTHER PUBLICATIONS

One photograph of "HP Officejet J4580 Printer" found at <http://www.pacificink.com/printer.php?Desc=hp-officejet-j4580-printer> The HP Officejet printer was on sale in the U.S. more than one-year prior to the filing of the subject application, that is, at least as early as Mar. 1, 2012. One (1) page.

\* cited by examiner

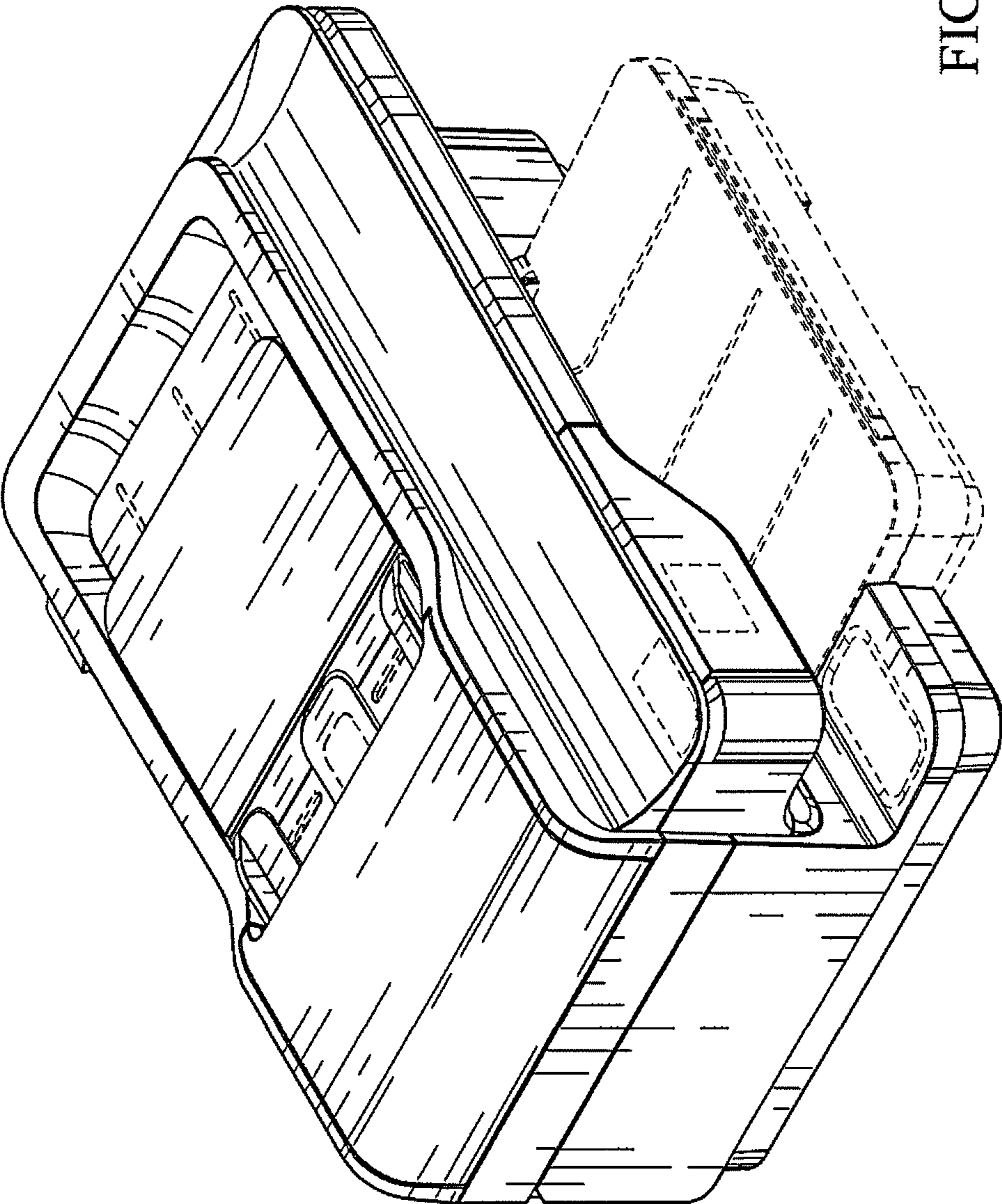


FIG. 1

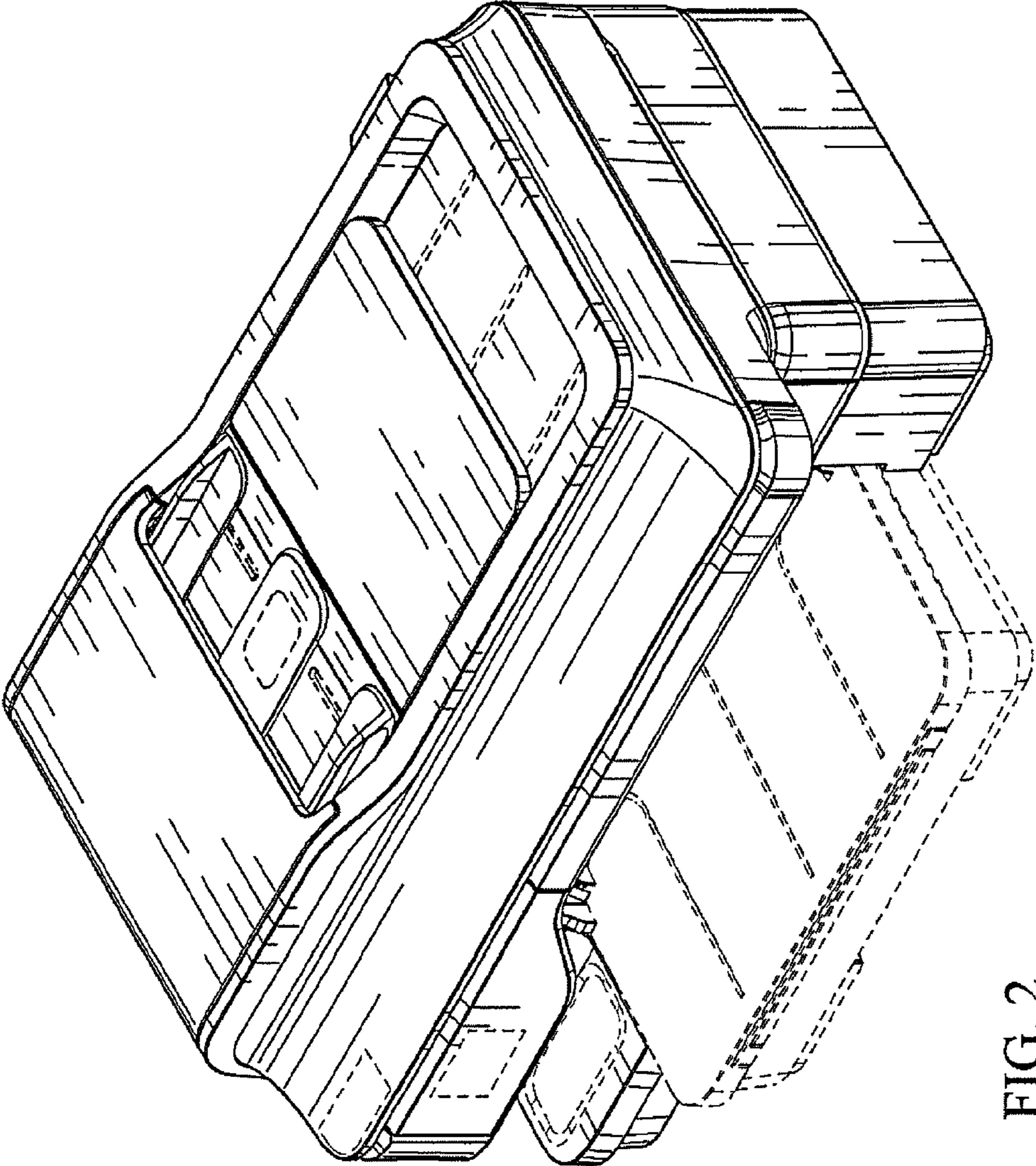


FIG. 2

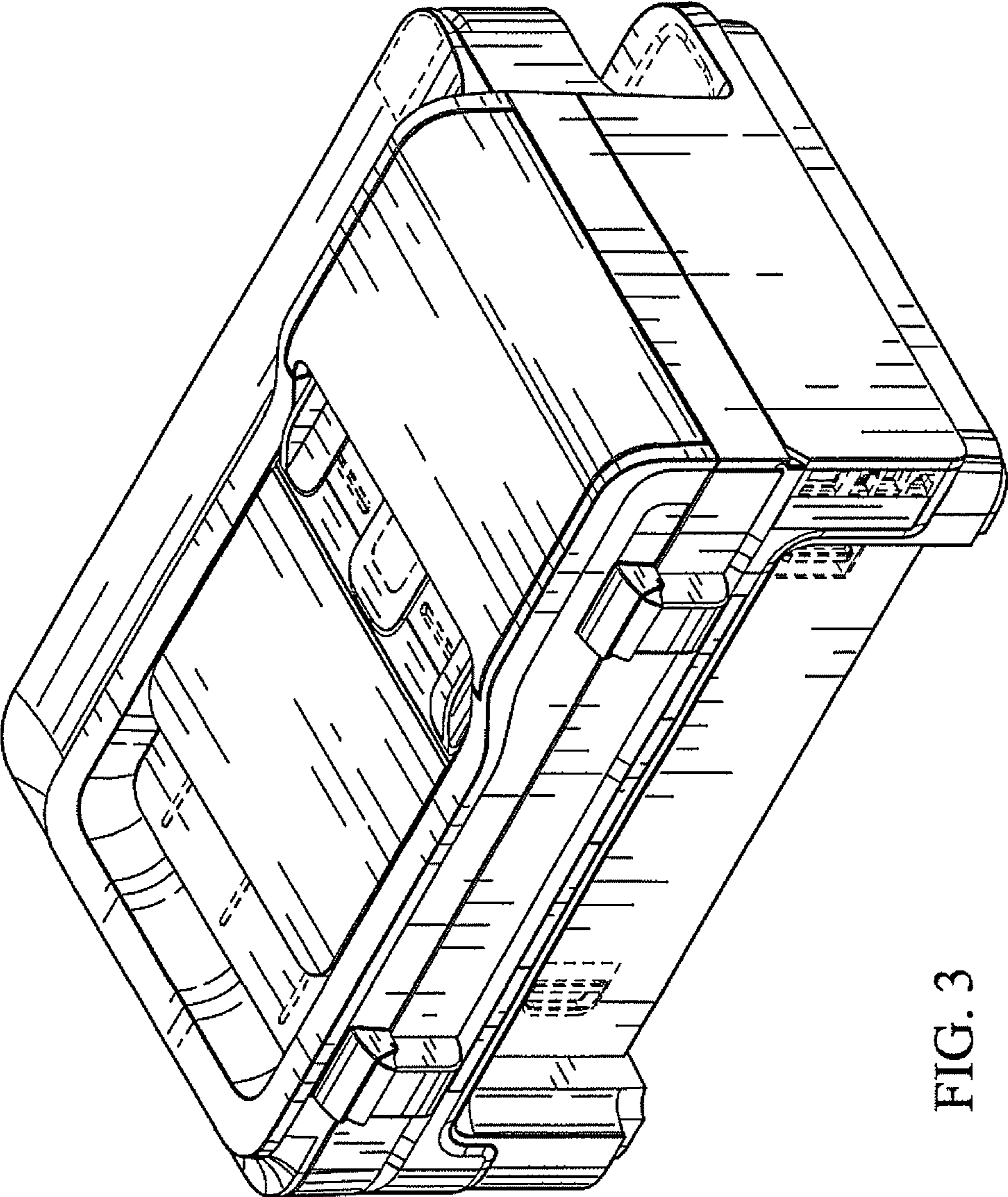


FIG. 3

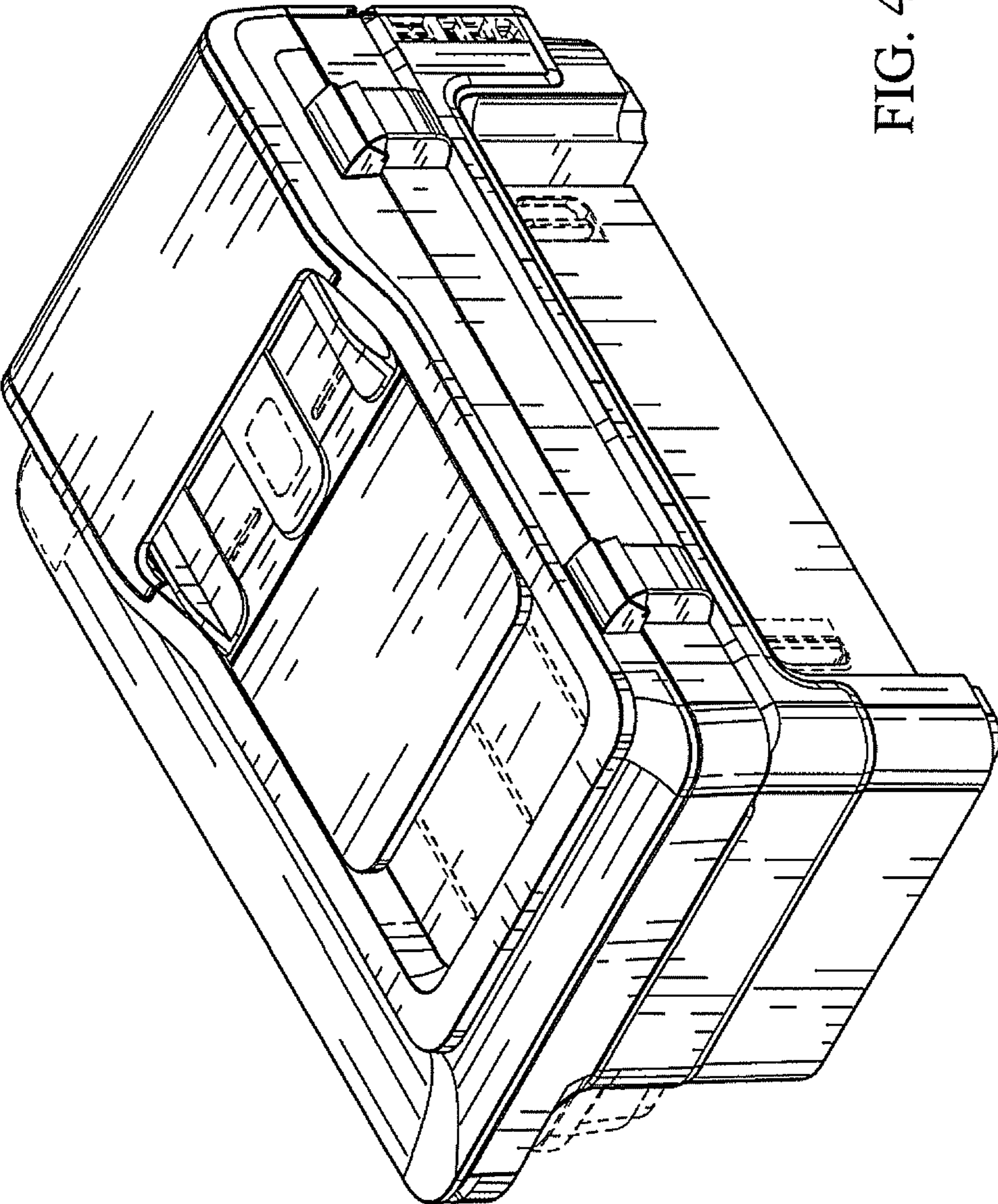


FIG. 4

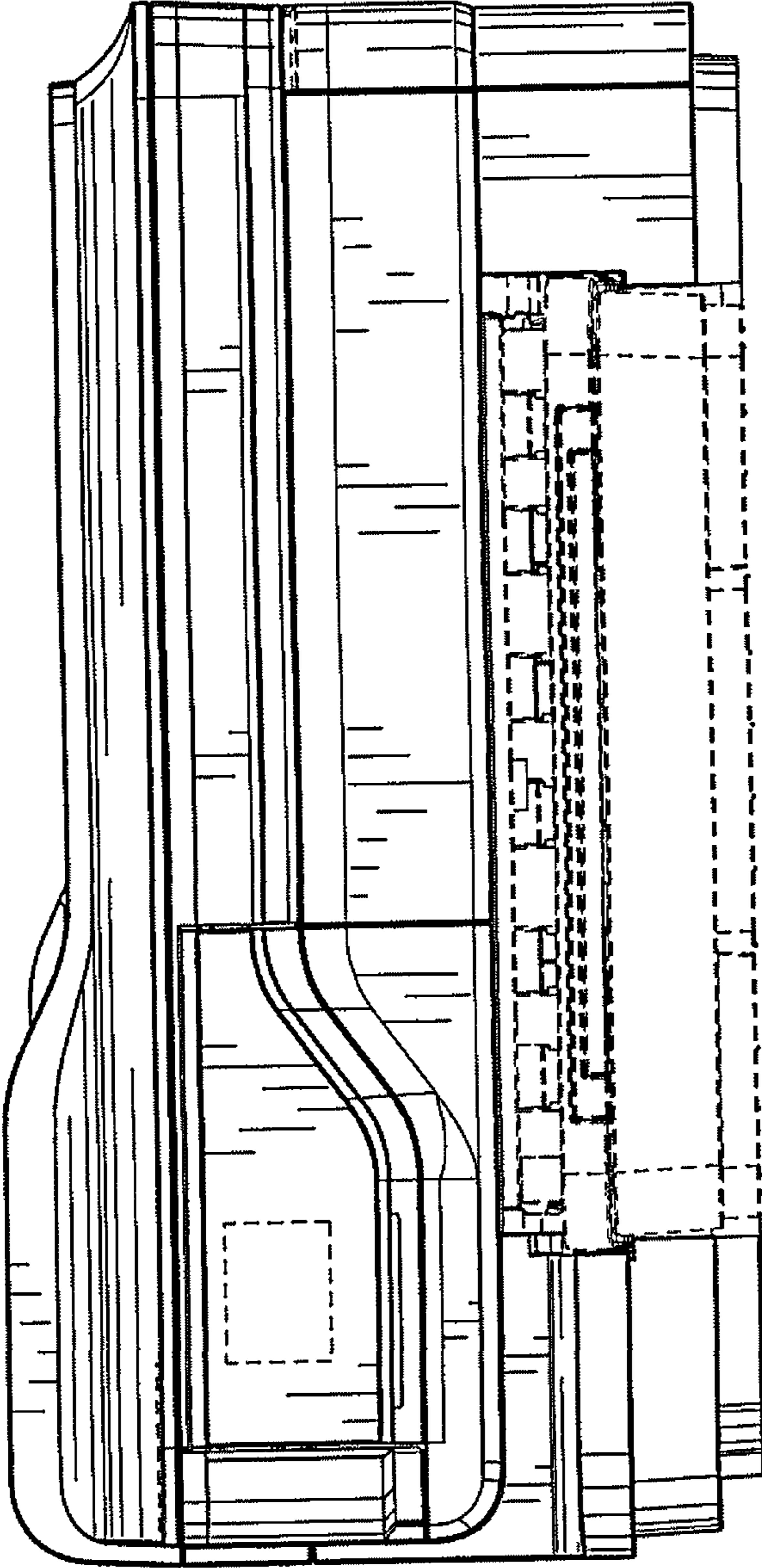


FIG. 5

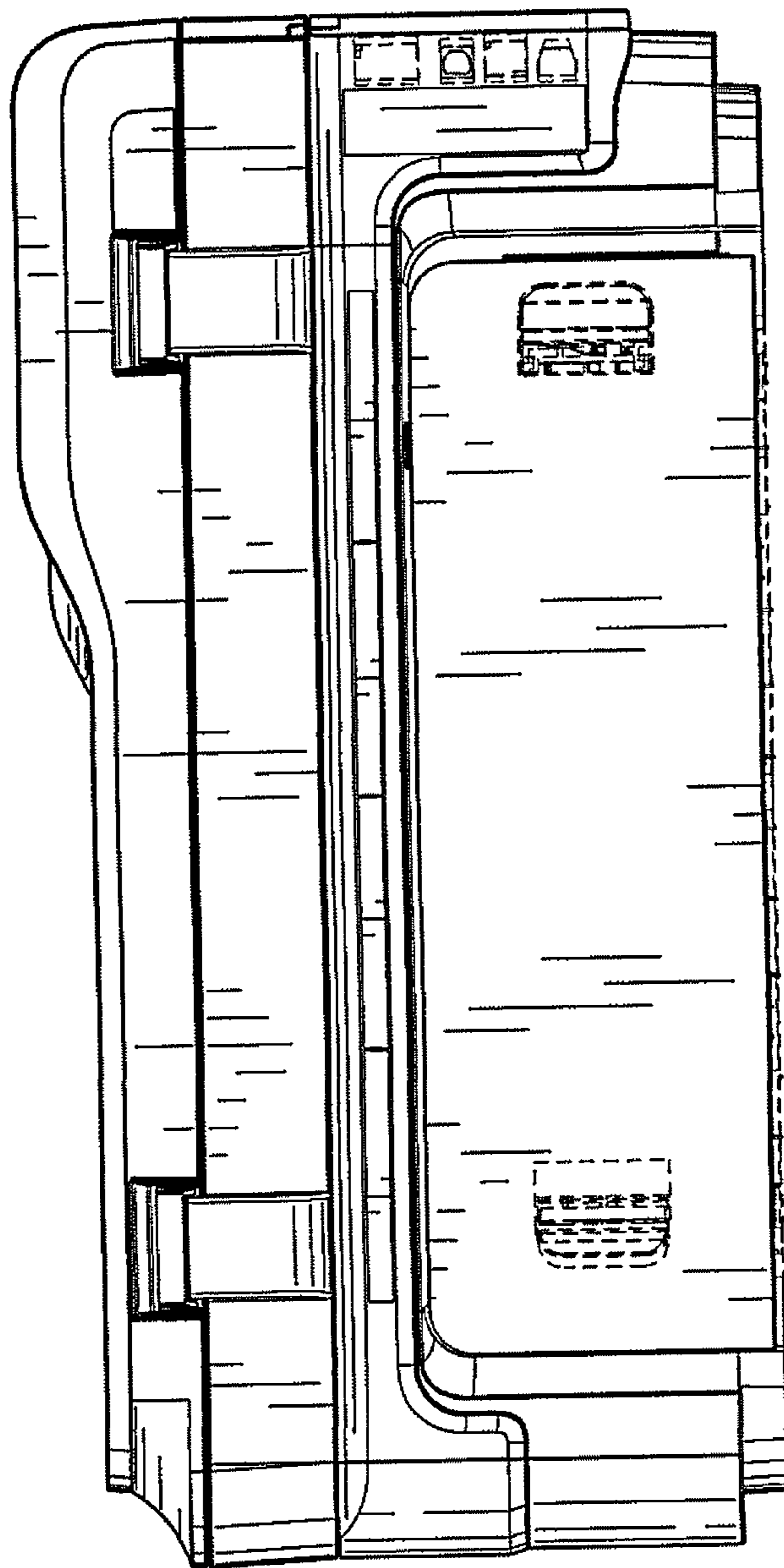


FIG. 6



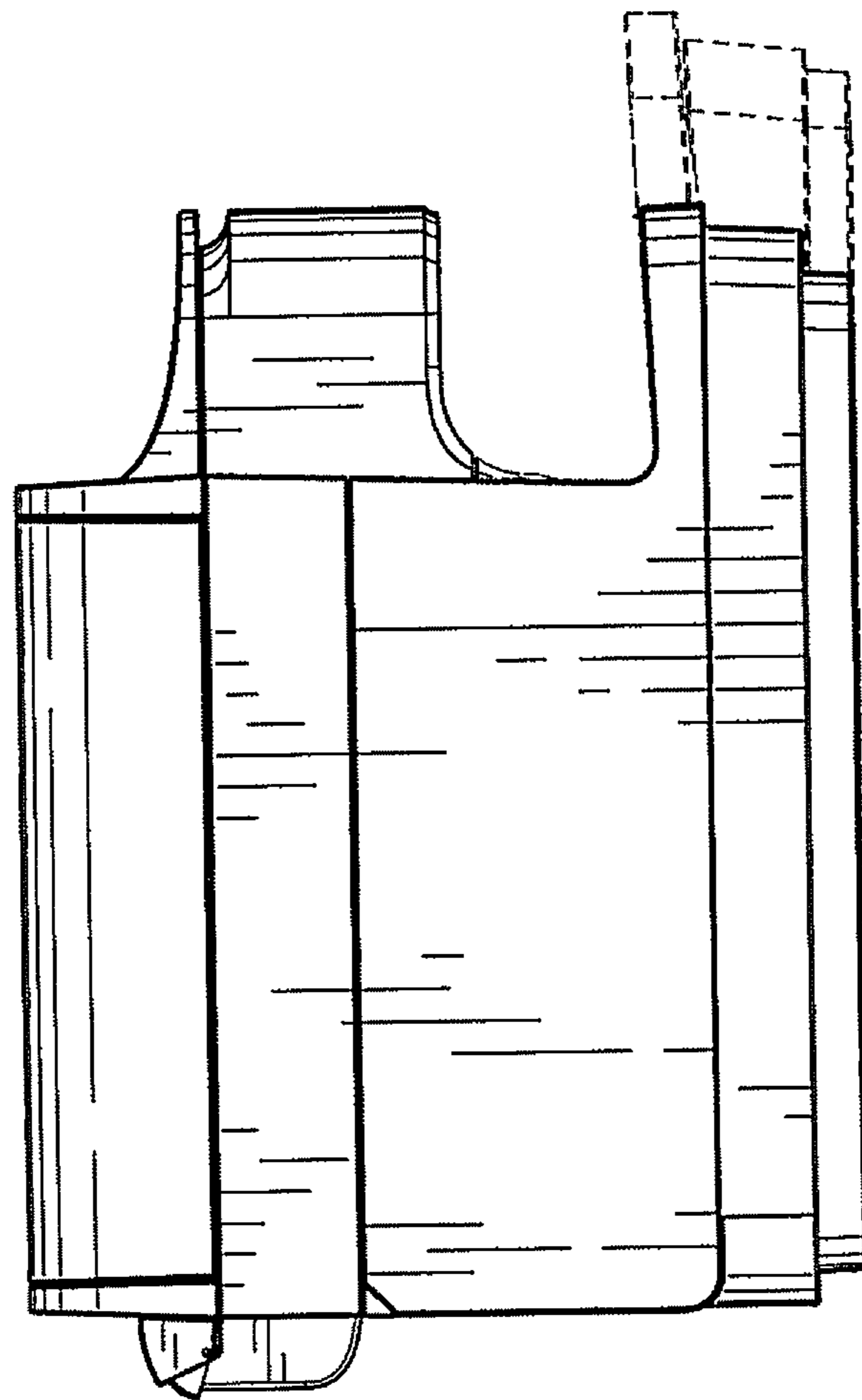


FIG. 7

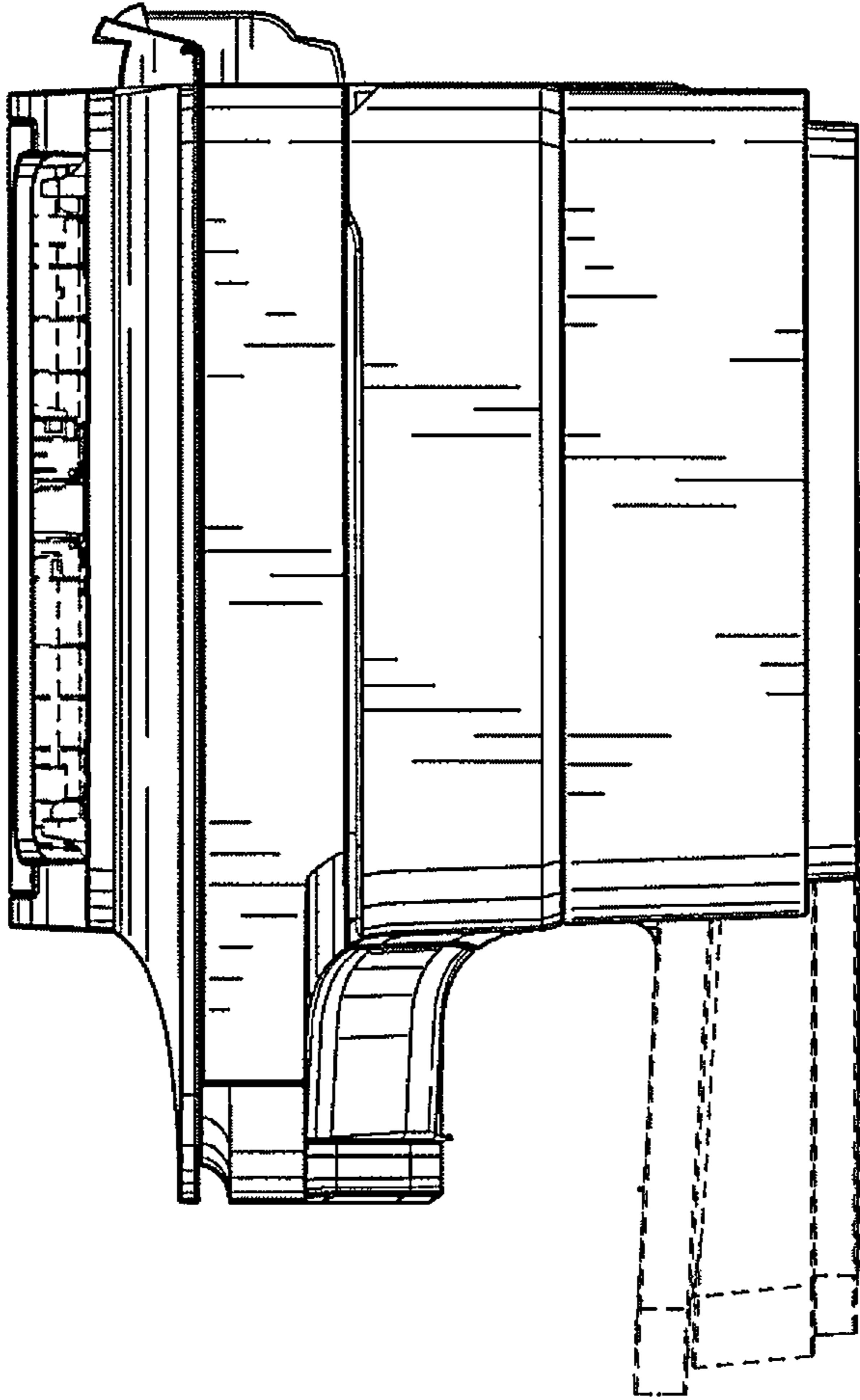


FIG. 8

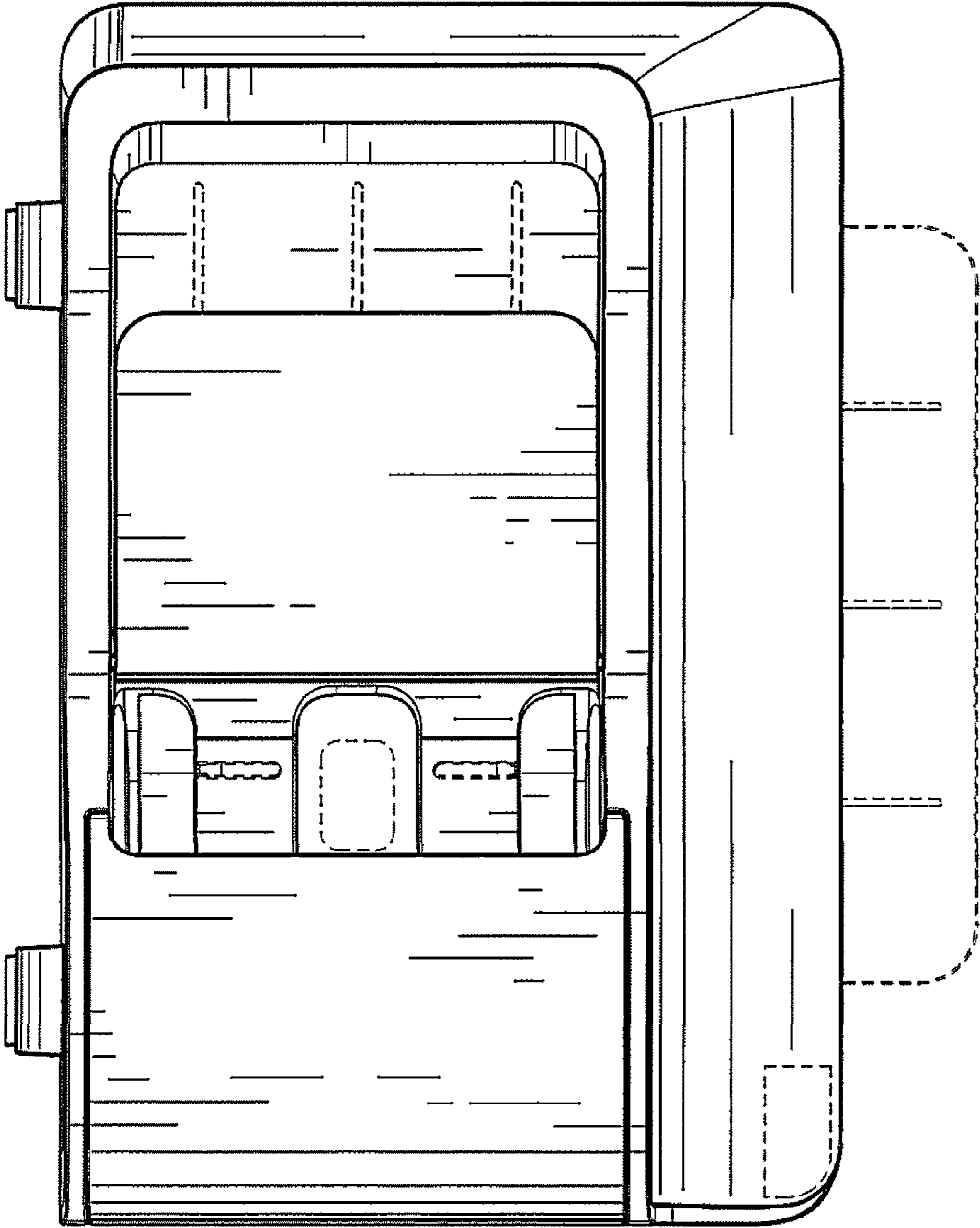


FIG. 9

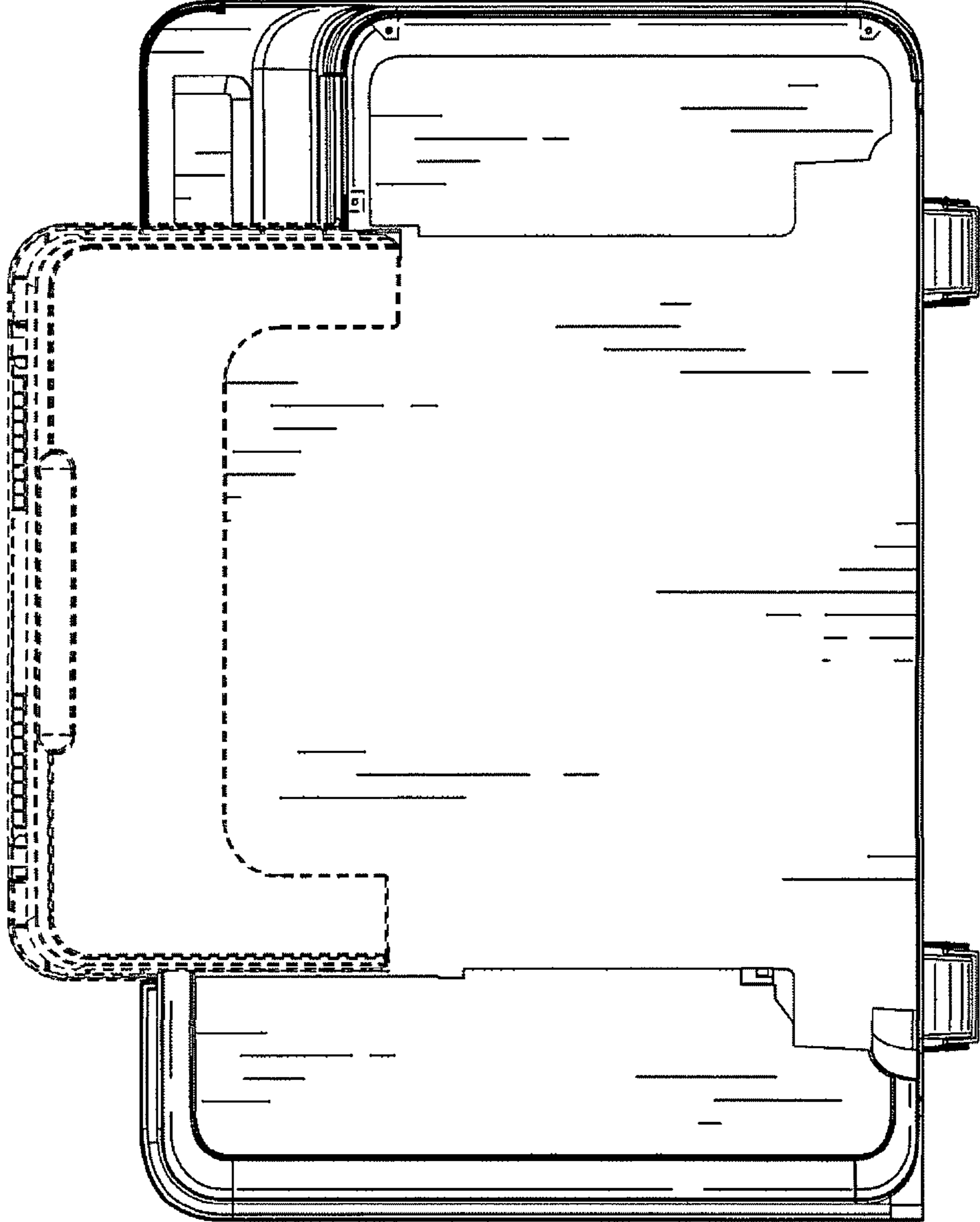


FIG. 10