



US00D705780S

(12) **United States Design Patent**  
**Nishizawa**

(10) **Patent No.:** **US D705,780 S**

(45) **Date of Patent:** **\*\* May 27, 2014**

(54) **ELECTRONIC PEN**

FOREIGN PATENT DOCUMENTS

- (71) Applicant: **Wacom Co., Ltd.**, Kazo (JP)
- (72) Inventor: **Naoya Nishizawa**, Tokyo (JP)
- (73) Assignee: **Wacom Co., Ltd.**, Kazo-shi (JP)
- (\*\*) Term: **14 Years**

JP	D1240322 S	4/2005
JP	D1287656 S	10/2006
JP	D1361086 S	4/2009
JP	D1372718 S	10/2009
JP	D1456248 S	10/2012
JP	D1470192 S	4/2013
JP	D1484973 S	10/2013

\* cited by examiner

- (21) Appl. No.: **29/469,809**
- (22) Filed: **Oct. 15, 2013**

*Primary Examiner* — Austin Murphy

(74) *Attorney, Agent, or Firm* — Christensen O'Connor Johnson Kindness PLLC

(30) **Foreign Application Priority Data**

(57) **CLAIM**

Apr. 23, 2013 (JP) ..... 2013-009079

The ornamental design for an electronic pen, as shown and described.

(51) **LOC (10) Cl.** ..... **14-02**

**DESCRIPTION**

(52) **U.S. Cl.**  
USPC ..... **D14/411**

(58) **Field of Classification Search**  
USPC ..... D8/61; D14/411; D19/35, 36, 41–51,  
D19/54–58; 401/55, 99, 100, 104–107, 196,  
401/197, 202, 208, 209, 213, 192, 195,  
401/243; 708/107; 345/179, 173;  
178/19.01; 700/94  
See application file for complete search history.

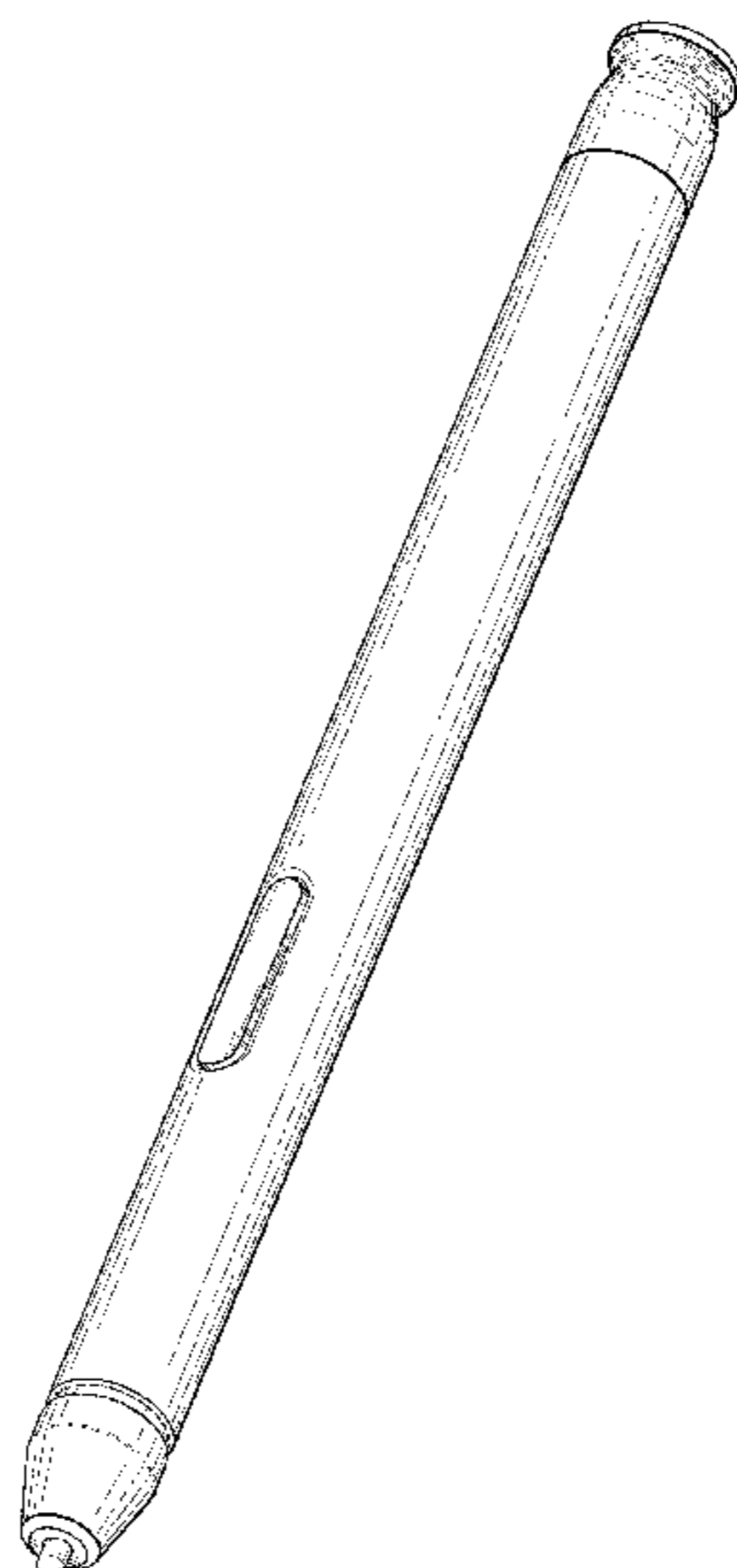
FIG. 1 is a bottom front right perspective view of an electronic pen showing my new design;  
 FIG. 2 is a front elevation view thereof;  
 FIG. 3 is a right side elevation view thereof, wherein the left side elevation view is a mirror image of the right side elevation view;  
 FIG. 4 is a rear elevation view thereof;  
 FIG. 5 is an enlarged top plan view thereof;  
 FIG. 6 is an enlarged bottom plan view thereof;  
 FIG. 7 is a bottom front right perspective view of an alternative embodiment of the electronic pen shown in FIG. 1;  
 FIG. 8 is a front elevation view thereof;  
 FIG. 9 is a right side elevation view thereof, wherein the left side elevation view is a mirror image of the right side elevation view;  
 FIG. 10 is a rear elevation view thereof;  
 FIG. 11 is an enlarged top plan view thereof; and,  
 FIG. 12 is an enlarged bottom plan view thereof.  
 The broken lines shown in FIGS. 7-10 illustrate environmental subject matter and form no part of the claimed design.

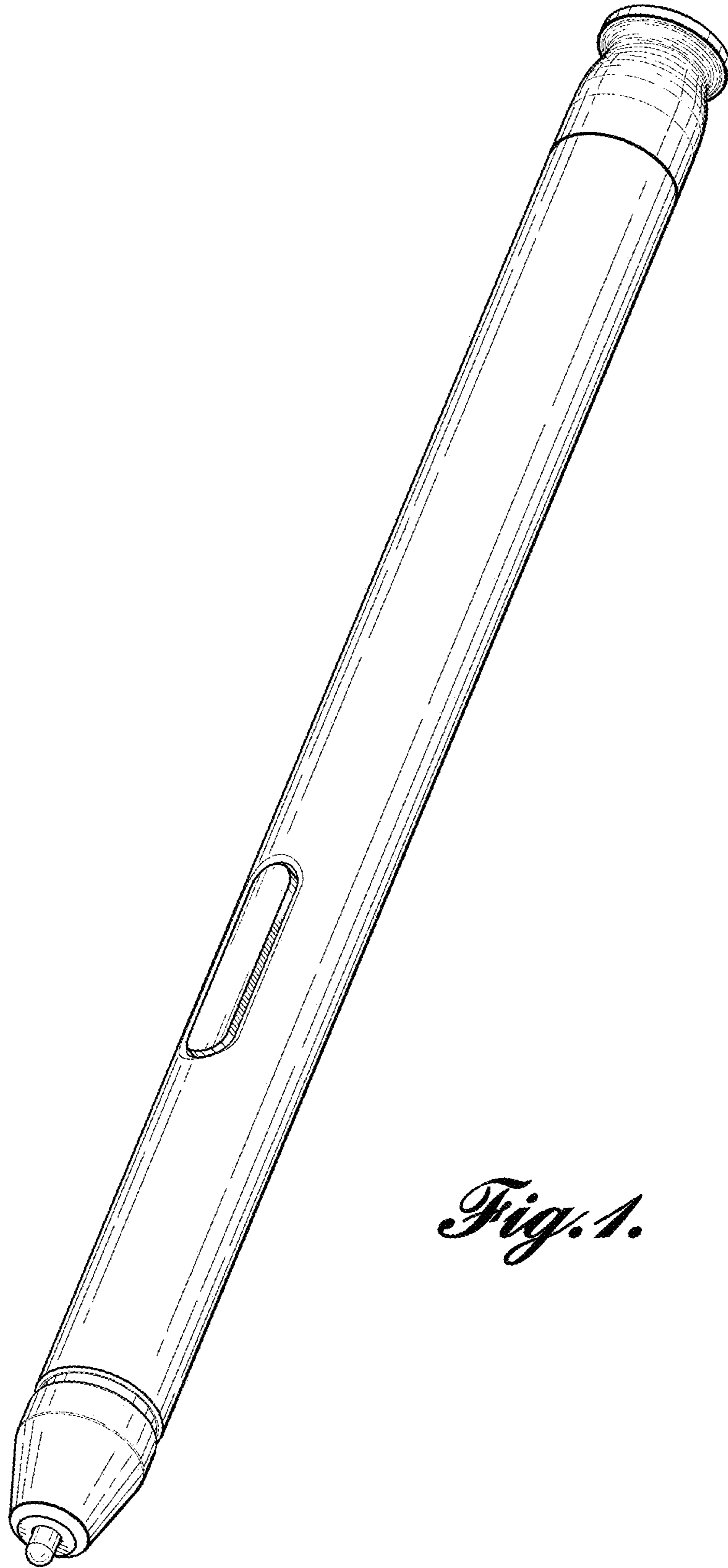
(56) **References Cited**

U.S. PATENT DOCUMENTS

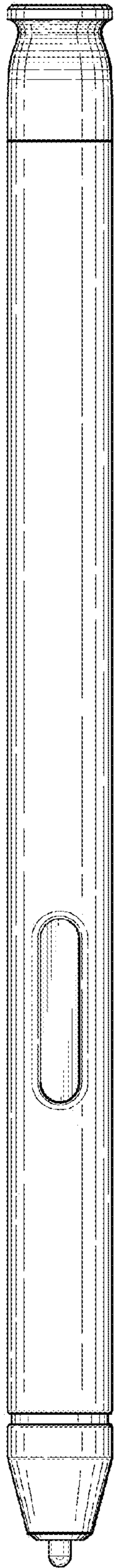
D588,638 S *	3/2009	Busri	.....	D19/36
D611,476 S *	3/2010	Busri	.....	D14/411
D614,623 S *	4/2010	Crisp et al.	.....	D14/411
D623,650 S *	9/2010	Ishibashi et al.	.....	D14/411
D624,081 S *	9/2010	Nousiainen	.....	D14/411
D630,220 S *	1/2011	Zenri et al.	.....	D14/411
D638,840 S *	5/2011	Kamata et al.	.....	D14/411
D660,296 S *	5/2012	Iwamura	.....	D14/411
D670,700 S *	11/2012	Halsinger et al.	.....	D14/411
D682,833 S *	5/2013	Paschke et al.	.....	D14/411
D686,620 S *	7/2013	Chung	.....	D14/411

**1 Claim, 6 Drawing Sheets**

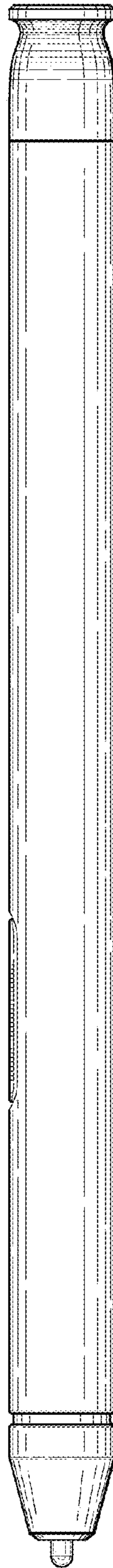




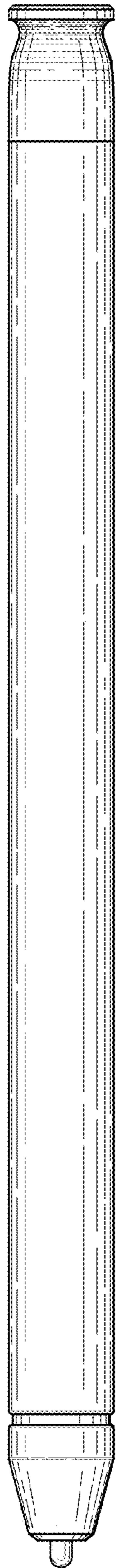
*Fig. 1.*



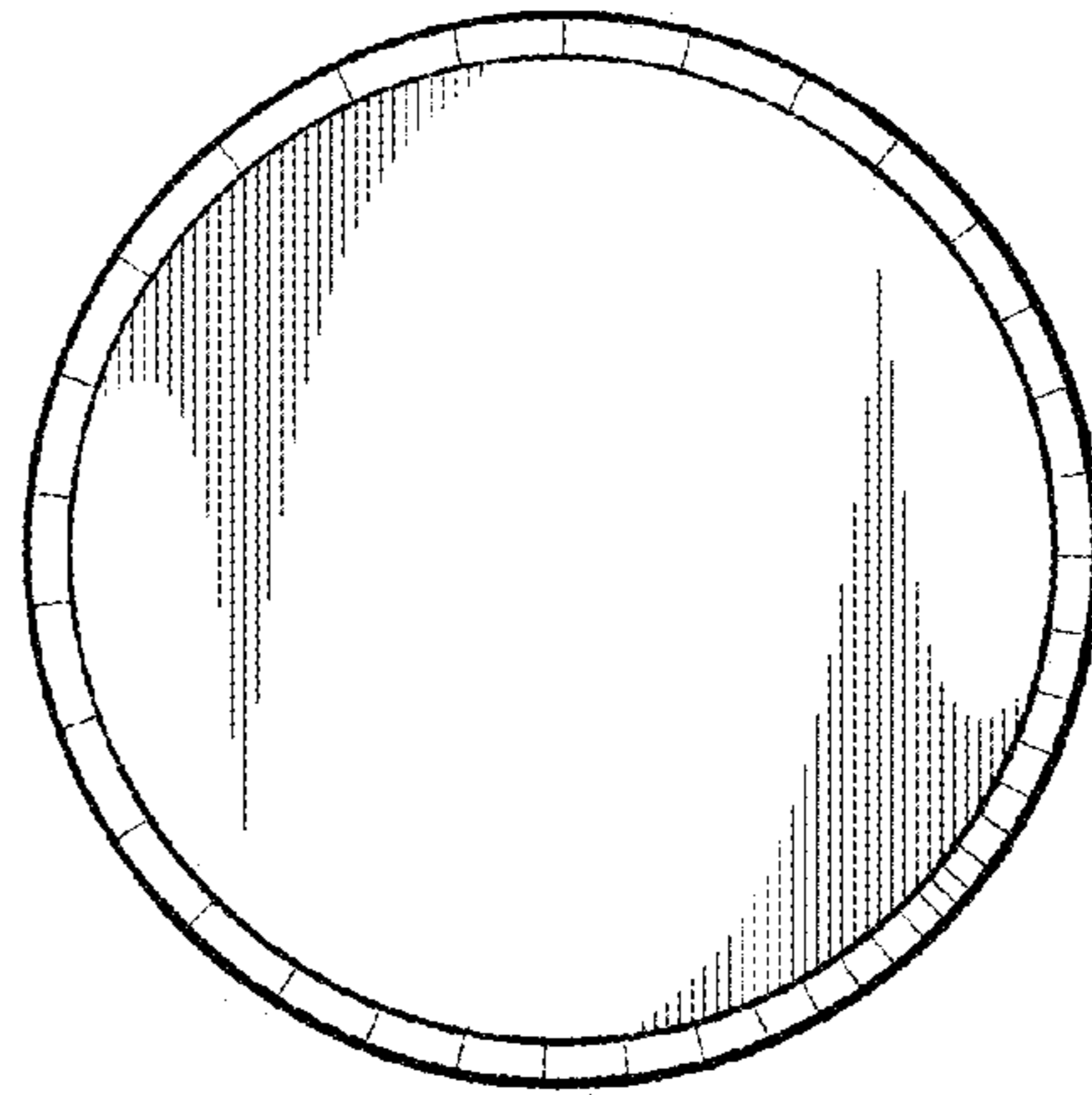
*Fig. 2.*



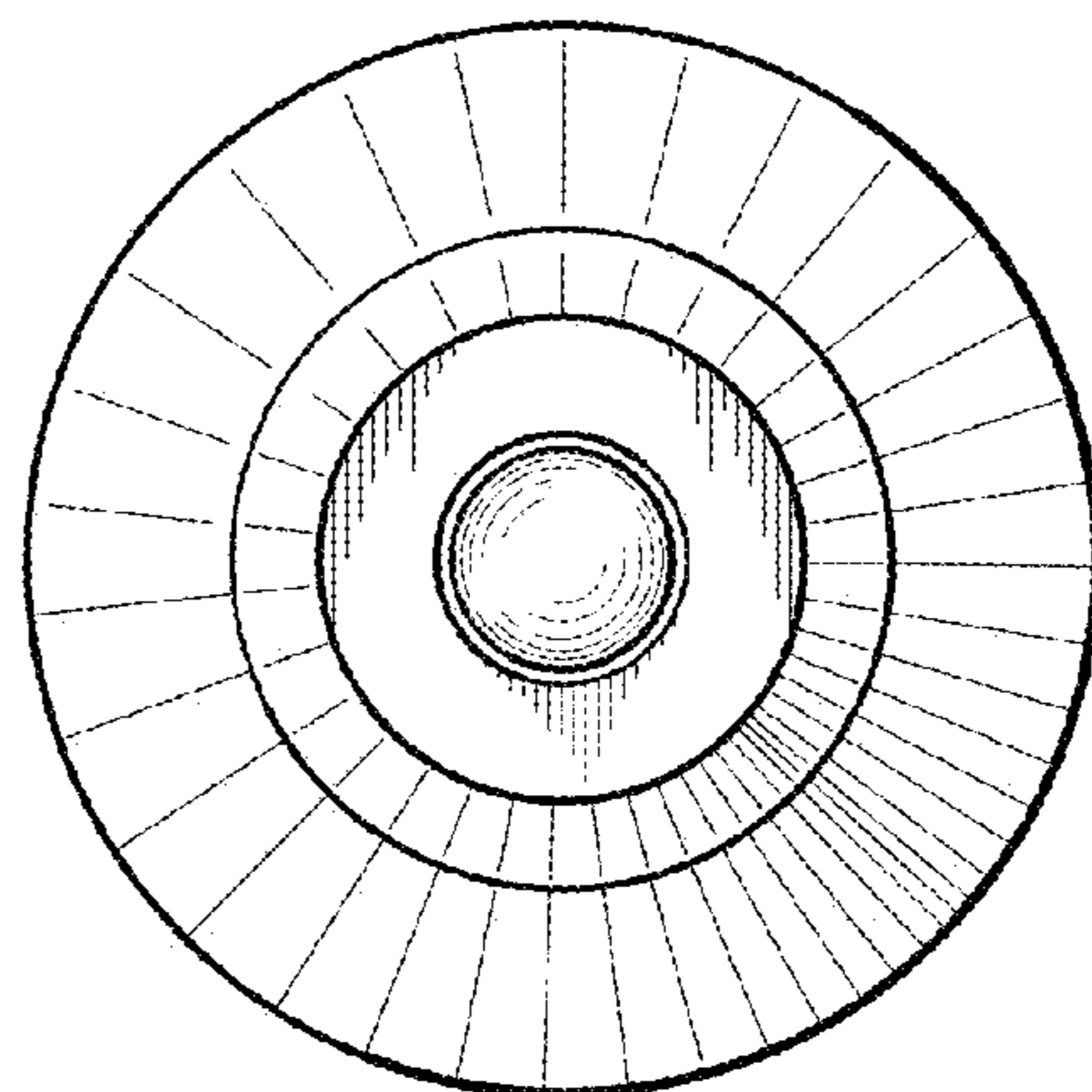
*Fig. 3.*



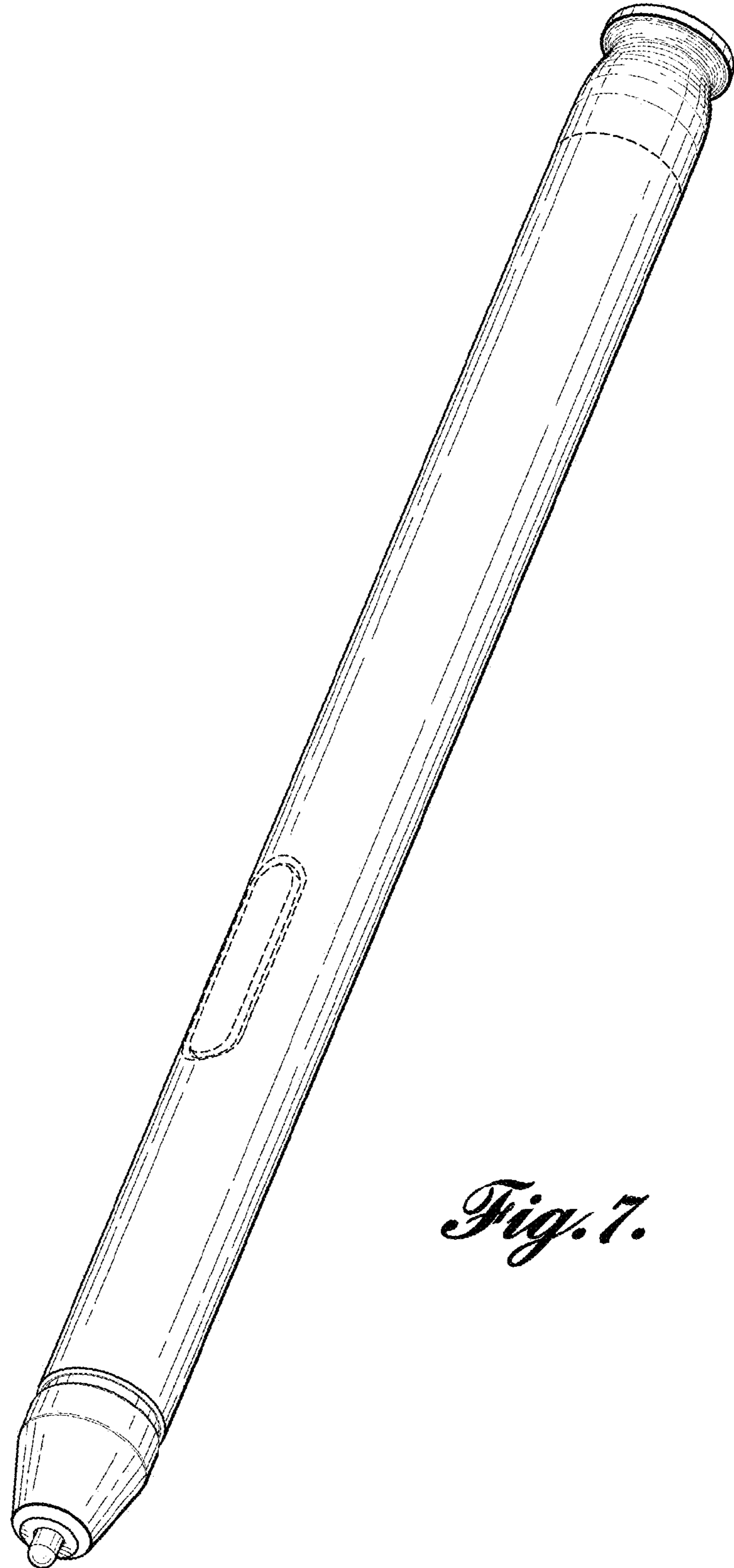
*Fig. 4.*



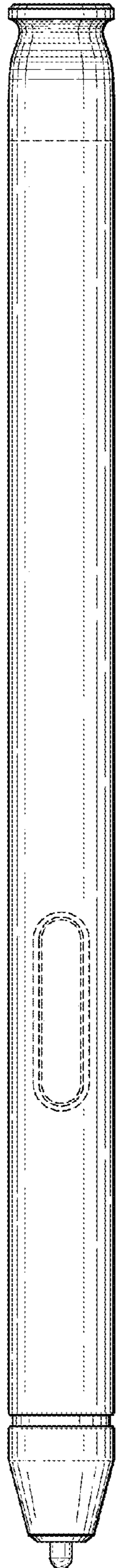
*Fig. 5.*



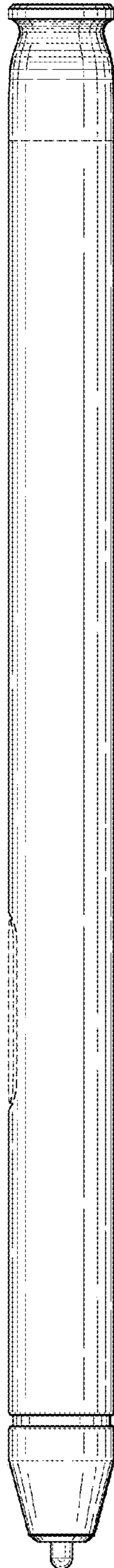
*Fig. 6.*



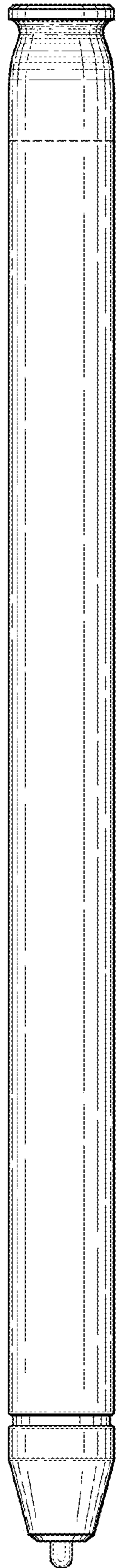
*Fig. 7.*



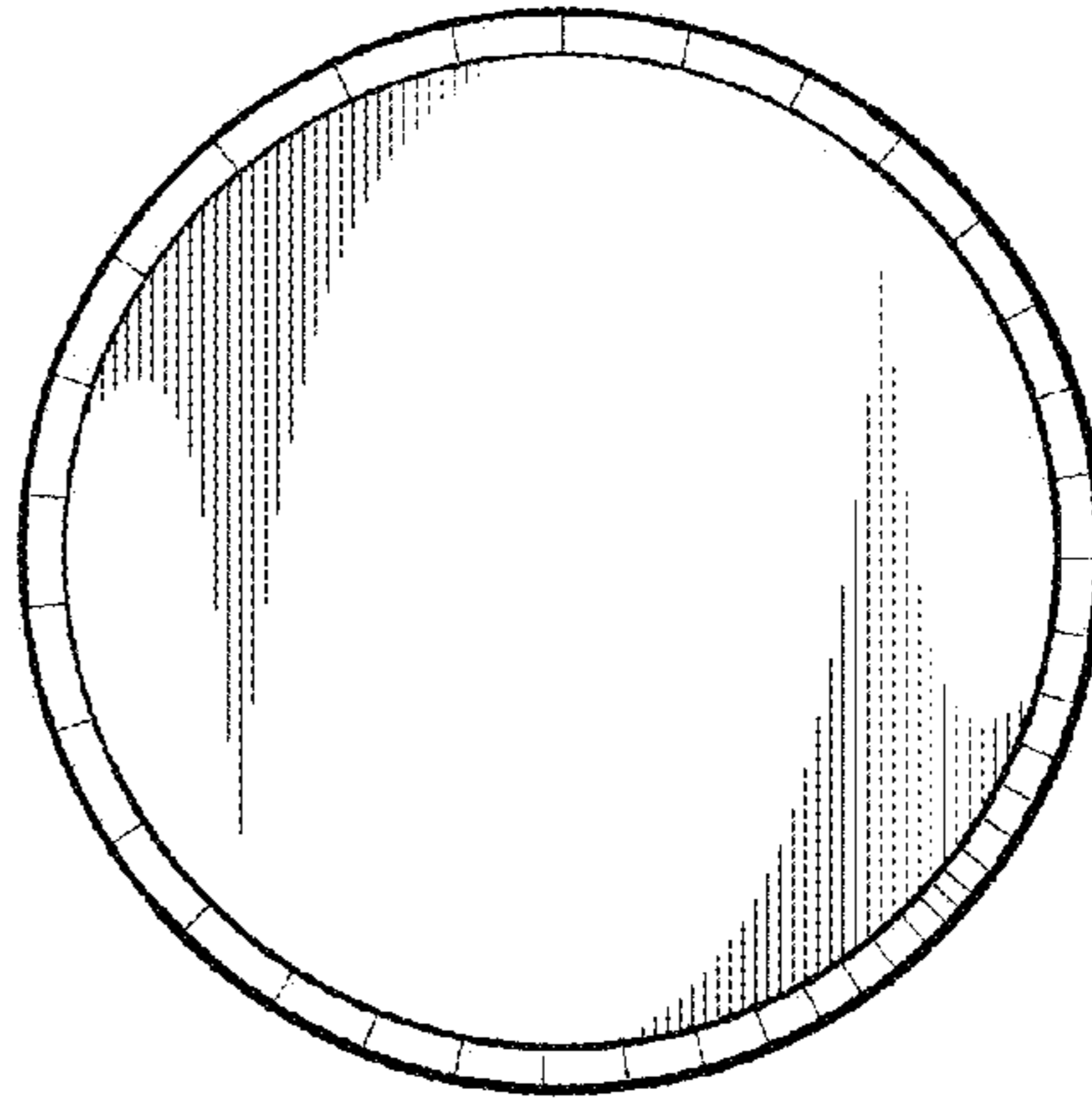
*Fig. 8.*



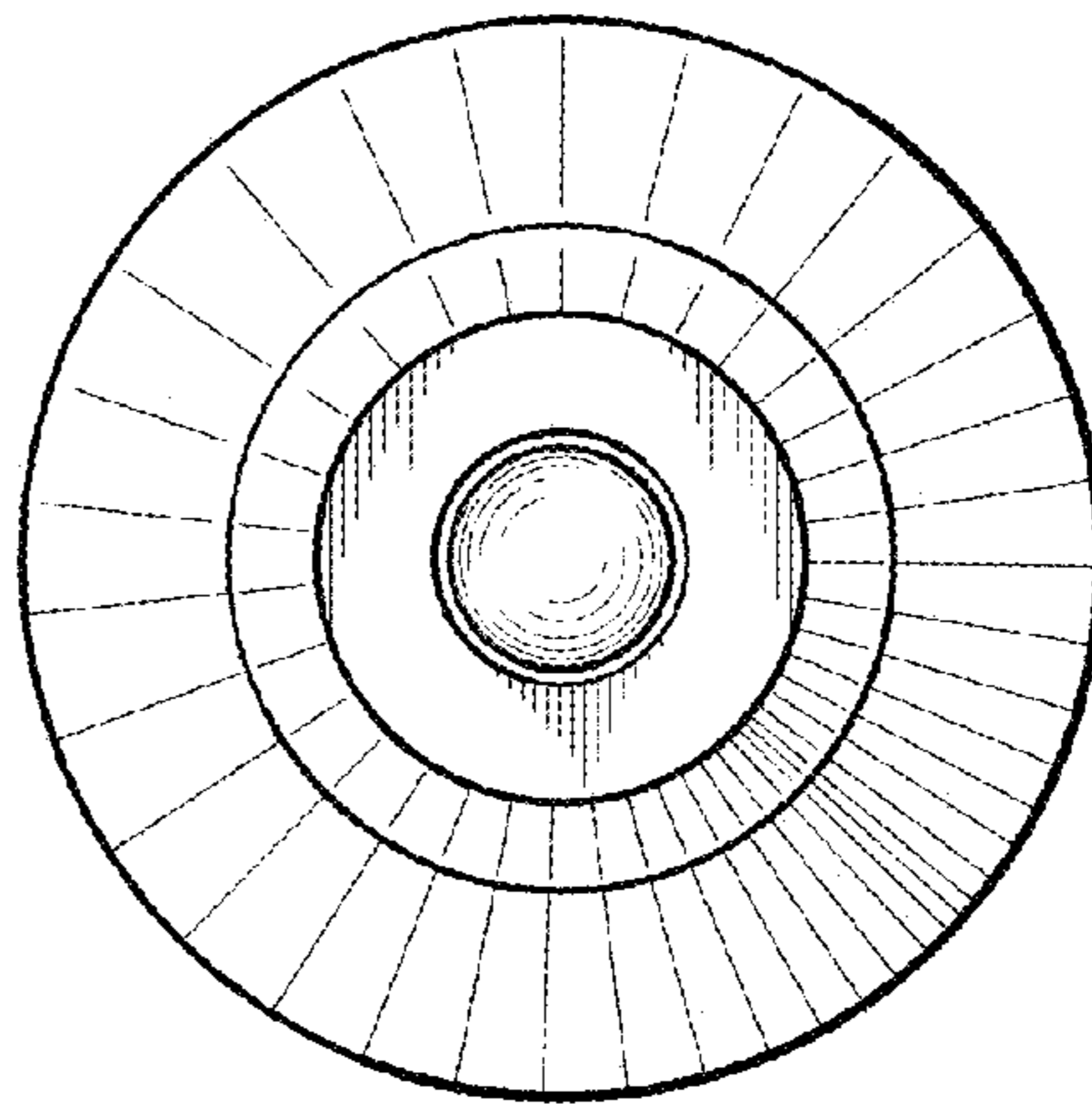
*Fig. 9.*



*Fig. 10.*



*Fig. 11.*



*Fig. 12.*