



US00D705778S

(12) **United States Design Patent**
Groene et al.

(10) **Patent No.:** **US D705,778 S**

(45) **Date of Patent:** **** *May 27, 2014**

(54) **ELECTRONIC TABLET**

(71) Applicant: **Microsoft Corporation**, Redmond, WA (US)

(72) Inventors: **Ralf Groene**, Kirkland, WA (US); **Hua Wang**, Sammamish, WA (US); **Anthony Reed**, Sammamish, WA (US); **Katherine Bailey**, Seattle, WA (US); **James Alec Ishihara**, Bellevue, WA (US); **Jan Raken**, Seattle, WA (US)

(73) Assignee: **Microsoft Corporation**, Redmond, WA (US)

(*) Notice: This patent is subject to a terminal disclaimer.

(**) Term: **14 Years**

(21) Appl. No.: **29/448,265**

(22) Filed: **Mar. 11, 2013**

Related U.S. Application Data

(63) Continuation of application No. 29/422,118, filed on May 16, 2012, now Pat. No. Des. 678,877.

(51) **LOC (10) Cl.** **14-02**

(52) **U.S. Cl.**
USPC **D14/341**

(58) **Field of Classification Search**
USPC D14/341-347, 336, 337, 371, 374, 138, D14/496; D10/65; 345/901, 104, 133, 156, 345/168, 173; 348/180, 184, 325, 739, 373, 348/376; 385/88; 710/62; 455/575.3, 575.1; D19/60; 361/679.27; 178/18.03; 434/317

See application file for complete search history.

(56) **References Cited**

U.S. PATENT DOCUMENTS

D284,084	S	*	6/1986	Ferrara, Jr.	D14/389
5,128,662	A	*	7/1992	Failla	345/1.3
D426,548	S		6/2000	Oross		
D492,684	S		7/2004	Ozolins		
6,882,524	B2		4/2005	Ulla		
D504,889	S		5/2005	Andre		
D520,989	S		5/2006	Miller		
D531,631	S		11/2006	Andre et al.		
D543,979	S		6/2007	Lee		
7,299,580	B2		11/2007	Wang		

(Continued)

FOREIGN PATENT DOCUMENTS

EM 001911983 2/2011

OTHER PUBLICATIONS

Microsoft Surface, posted Nov. 16, 2012 [online], [retrieved Dec. 12, 2012]. Retrieved from Internet, <http://reviews.cnet.co.uk>.

Primary Examiner — Barbara Fox

(74) *Attorney, Agent, or Firm* — Banner & Witcoff, Ltd.

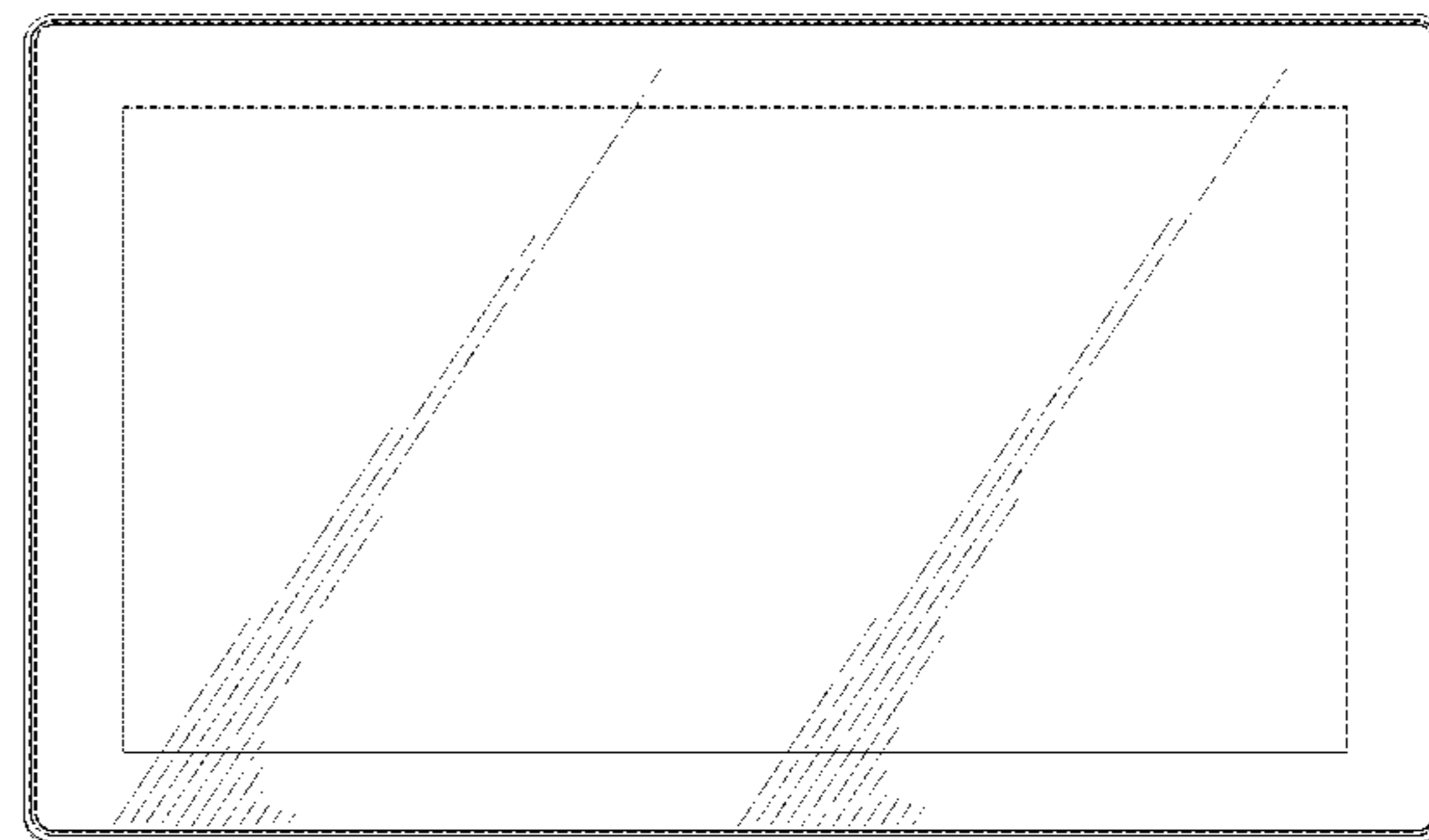
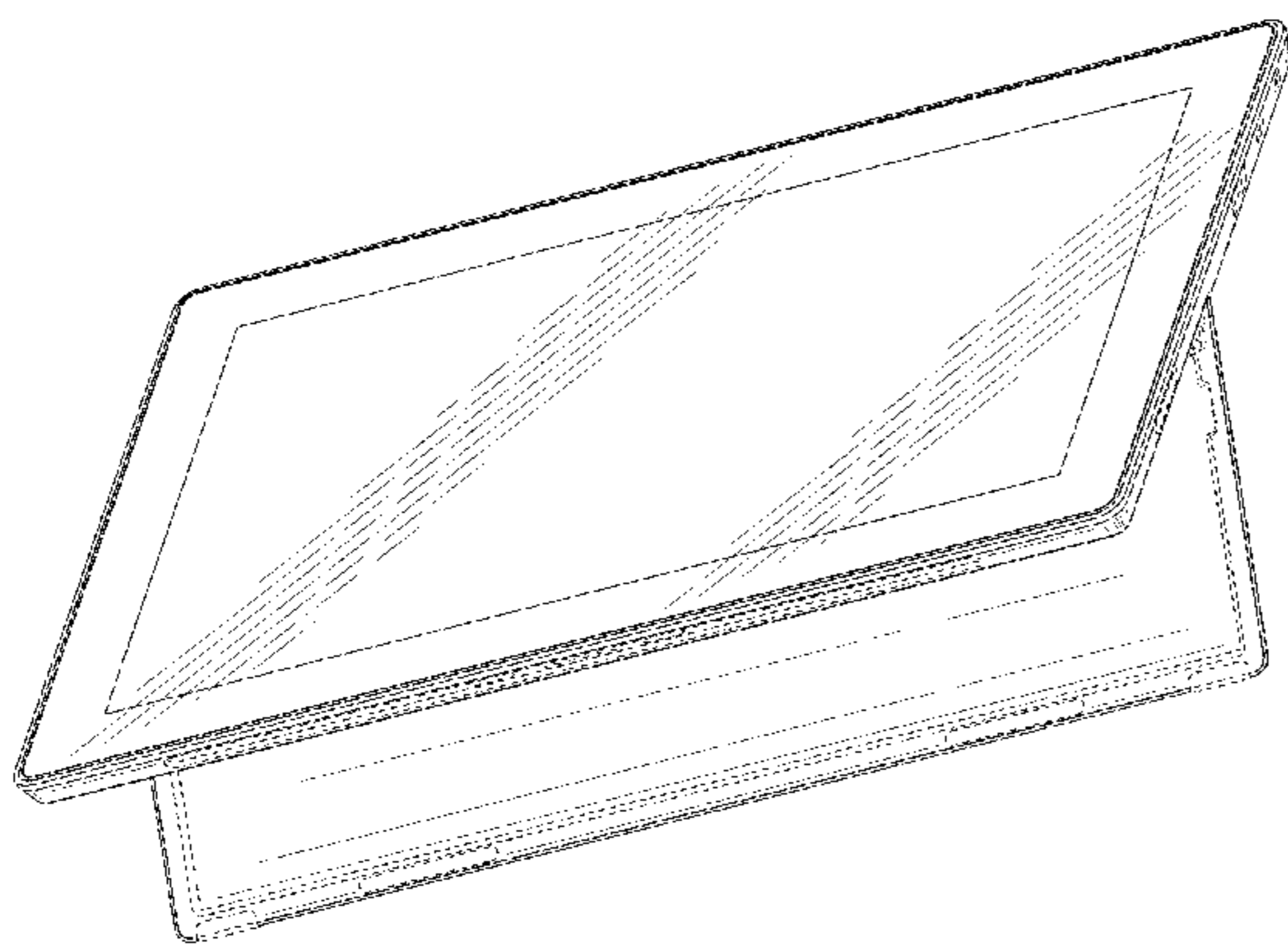
(57) **CLAIM**

The ornamental design for an electronic tablet, as shown and described.

DESCRIPTION

FIG. 1 is a front isometric view of an electronic tablet showing our new design;
FIG. 2 is a rear isometric view thereof;
FIG. 3 is a front view thereof;
FIG. 4 is a rear view thereof;
FIG. 5 is a top view thereof;
FIG. 6 is a left side view thereof; and,
FIG. 7 is a right side view thereof.
The broken line showing of various features on the electronic tablet represents portions of the electronic tablet which form no part of the claimed design.

1 Claim, 6 Drawing Sheets



(56)

References Cited

U.S. PATENT DOCUMENTS

D558,460 S	1/2008	Yu		D639,296 S	6/2011	Tseng et al.	
7,342,776 B1	3/2008	Chan		D641,016 S	7/2011	Takahashi	
D579,939 S	11/2008	Skillman		D641,017 S	7/2011	Meng	
D584,304 S *	1/2009	Lin	D14/346	D645,465 S	9/2011	Lin	
D585,399 S *	1/2009	Hwang	D14/130	D649,190 S	11/2011	Goodall	
D603,398 S	11/2009	Watson		D650,380 S	12/2011	Ballout	
D613,286 S	4/2010	Lee		D651,812 S	1/2012	Lee et al.	
D615,527 S	5/2010	Hwang		D654,497 S	2/2012	Lee	
D616,448 S	5/2010	Skillman		D656,136 S	3/2012	Lee	
D627,343 S	11/2010	Andre		D656,137 S	3/2012	Chung	
D627,777 S	11/2010	Akana et al.		D659,139 S	5/2012	Gengler	
D627,779 S	11/2010	Liao		D664,954 S	8/2012	Kim	
D629,771 S	12/2010	Haspil et al.		D669,069 S	10/2012	Akana et al.	
D629,800 S	12/2010	Seong		D669,468 S	10/2012	Akana et al.	
D630,207 S	1/2011	Seong		D670,286 S	11/2012	Akana et al.	
D631,469 S	1/2011	Demskie		D671,114 S	11/2012	Akana et al.	
D631,474 S	1/2011	Green		8,312,991 B2	11/2012	Diebel et al.	
D632,687 S	2/2011	Seong		D671,886 S	12/2012	Schacht	
D632,688 S	2/2011	Seong		D671,938 S *	12/2012	Hsu et al.	D14/341
D636,768 S	4/2011	Chan		D675,203 S *	1/2013	Yang	D14/341
D636,770 S	4/2011	Li		D677,660 S *	3/2013	Groene et al.	D14/341
D637,596 S *	5/2011	Akana et al.	D14/341	D678,271 S *	3/2013	Chiu	D14/341
D637,597 S	5/2011	Seong		D678,272 S *	3/2013	Groene et al.	D14/345
D638,419 S	5/2011	Ishiharada		D678,877 S *	3/2013	Groene et al.	D14/341
D638,833 S	5/2011	Chuang		D678,885 S *	3/2013	Gengler	D14/447
D638,836 S	5/2011	Daniel		8,400,767 B2 *	3/2013	Yeom et al.	361/679.59
D639,267 S	6/2011	DeLorenzo et al.		D685,778 S *	7/2013	Fahrendorff et al.	D14/250
D639,268 S	6/2011	DeLorenzo et al.		2004/0201871 A1	10/2004	Risheq	
				2005/0052831 A1	3/2005	Chen	
				2012/0140396 A1	6/2012	Zeliff	
				2012/0194448 A1	8/2012	Rothkopf	

* cited by examiner

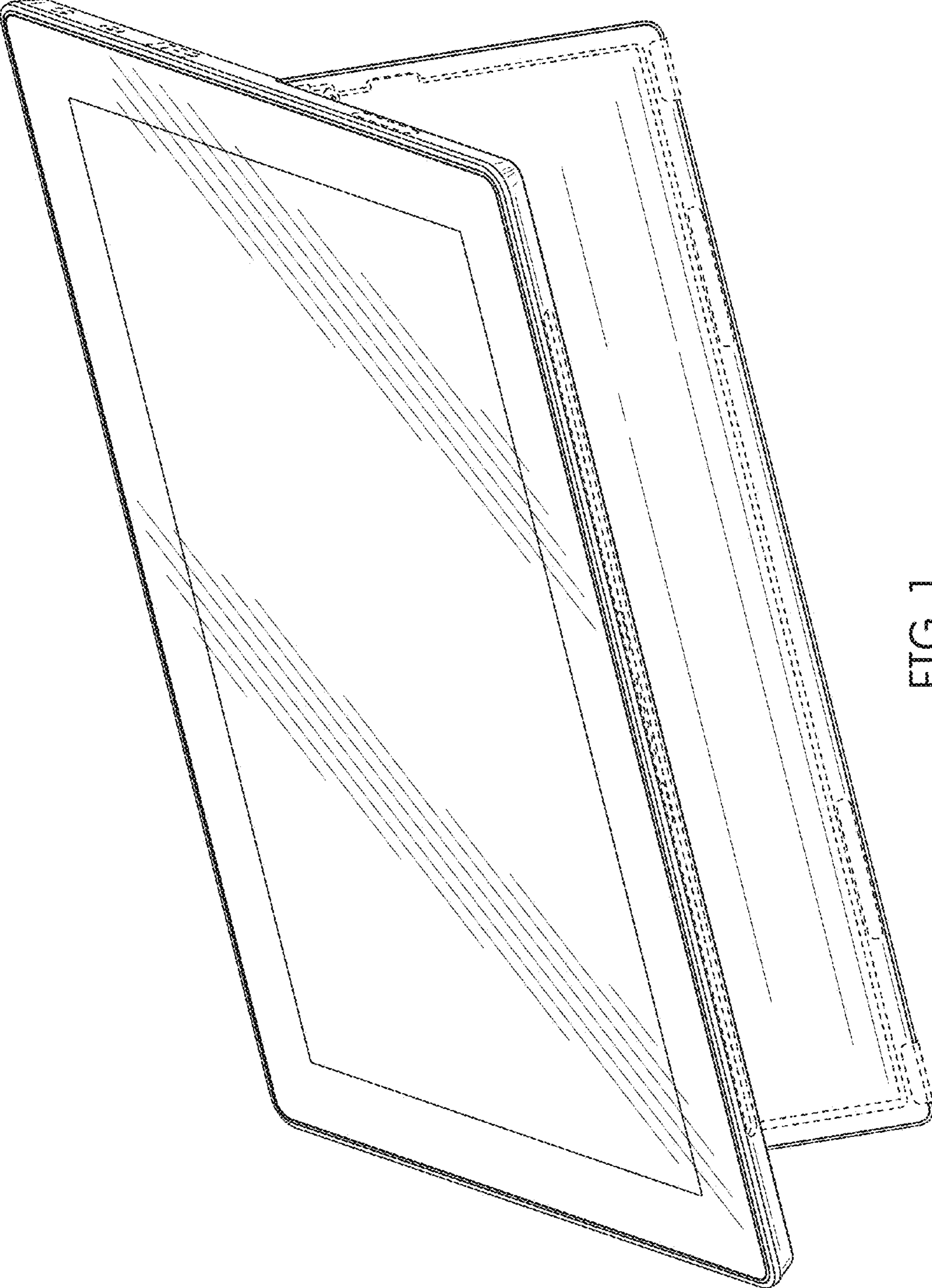


FIG. 1

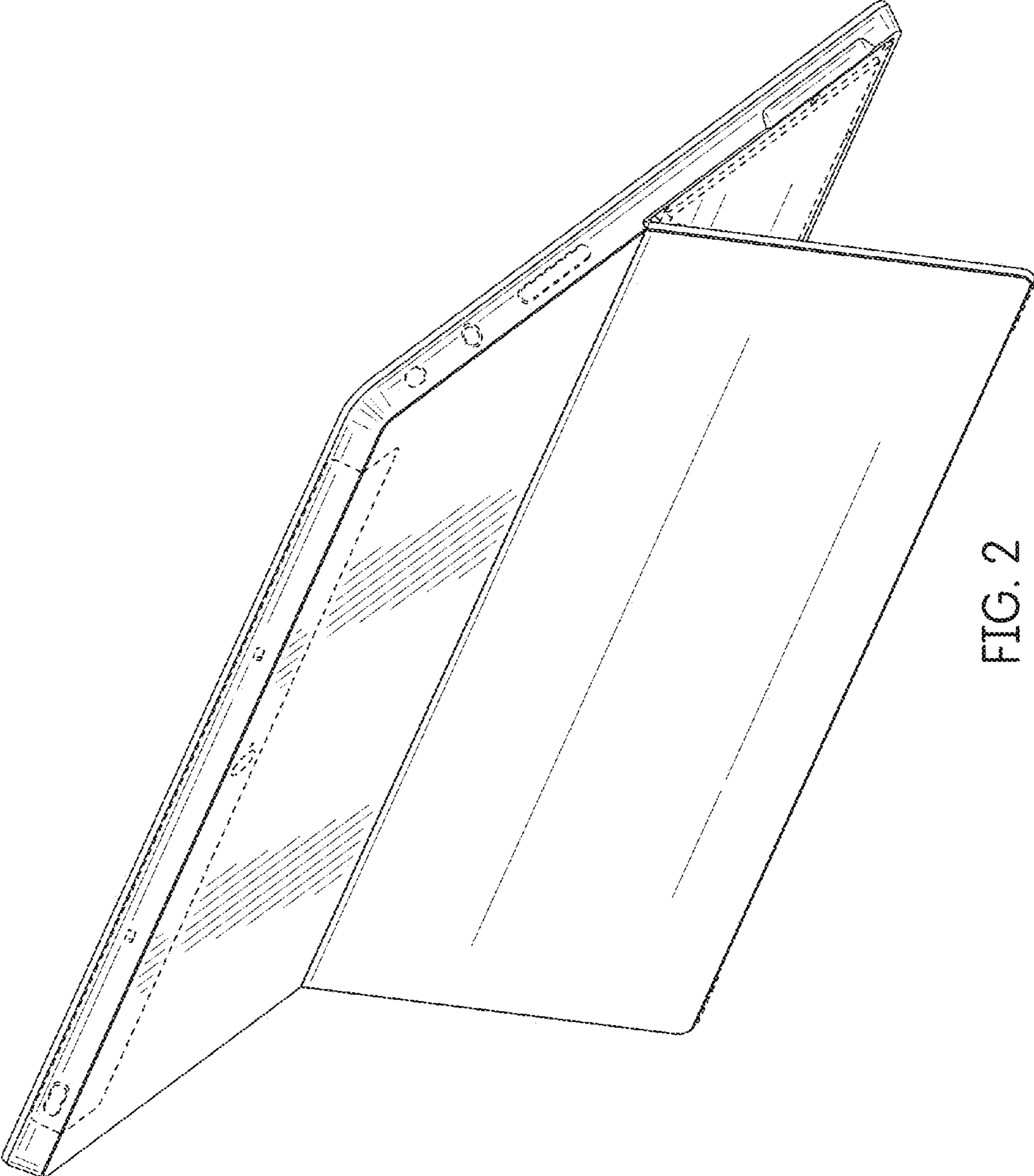


FIG. 2

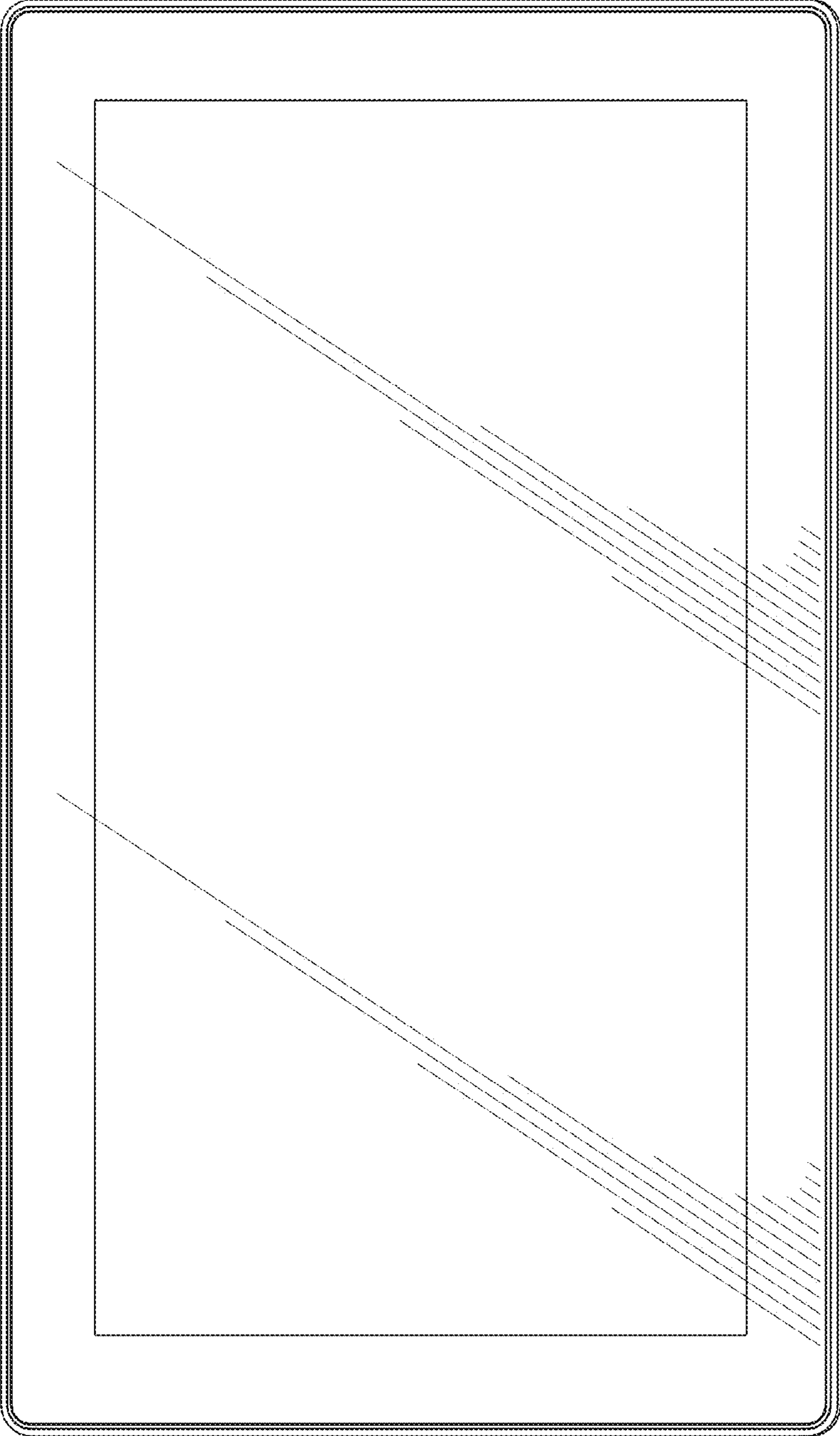


FIG. 3

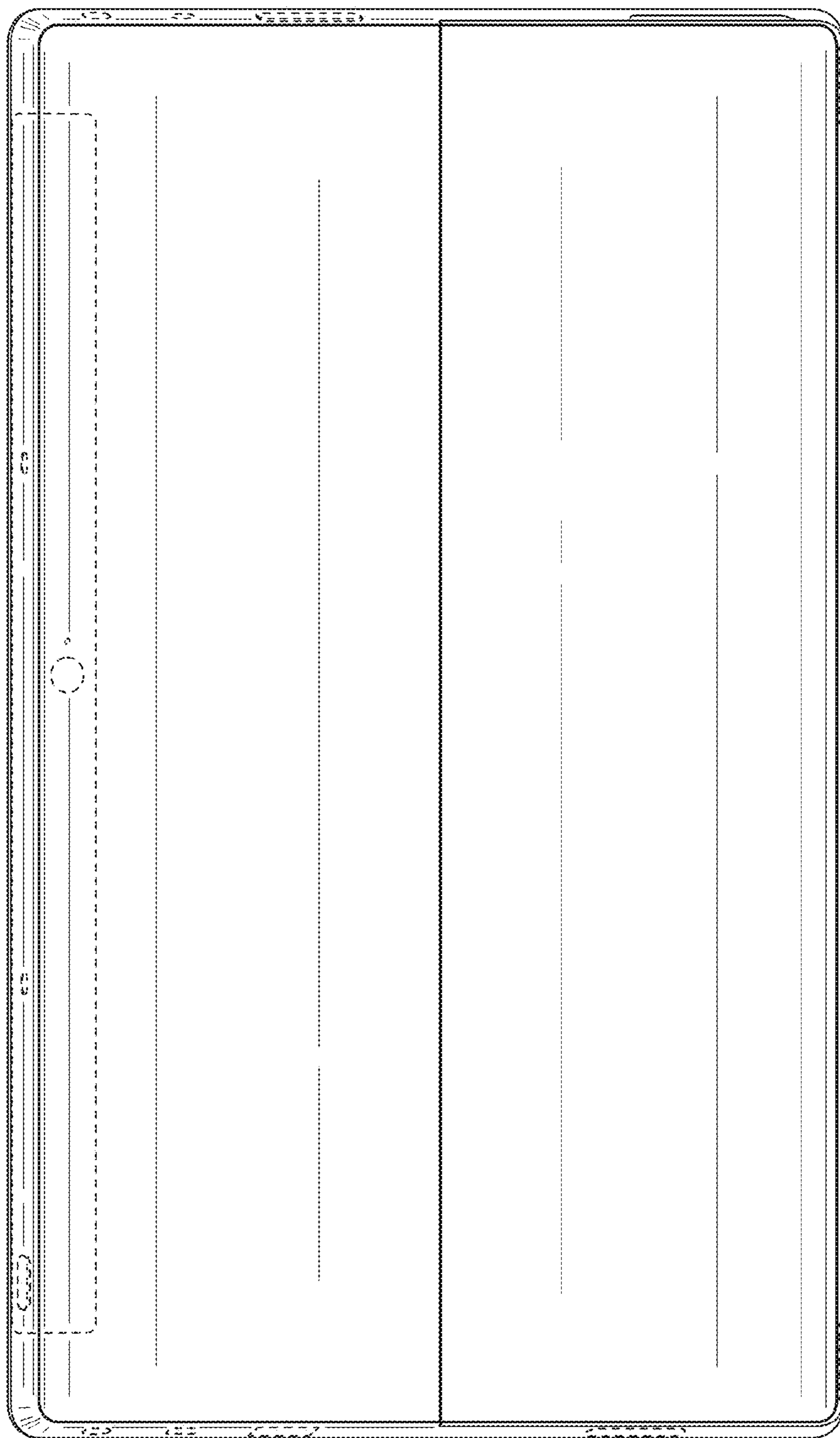


FIG. 4

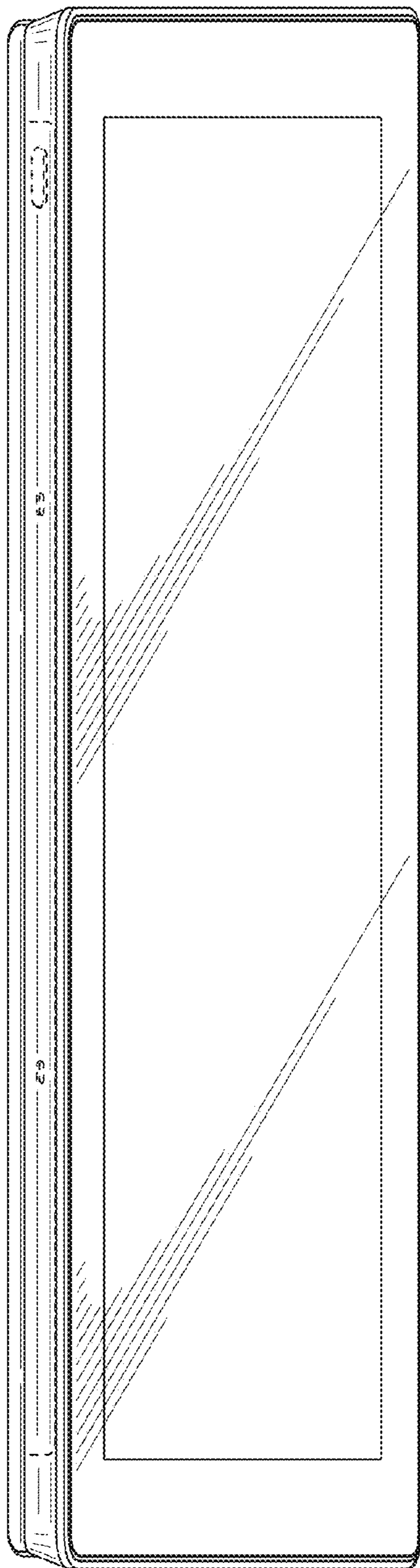


FIG. 5

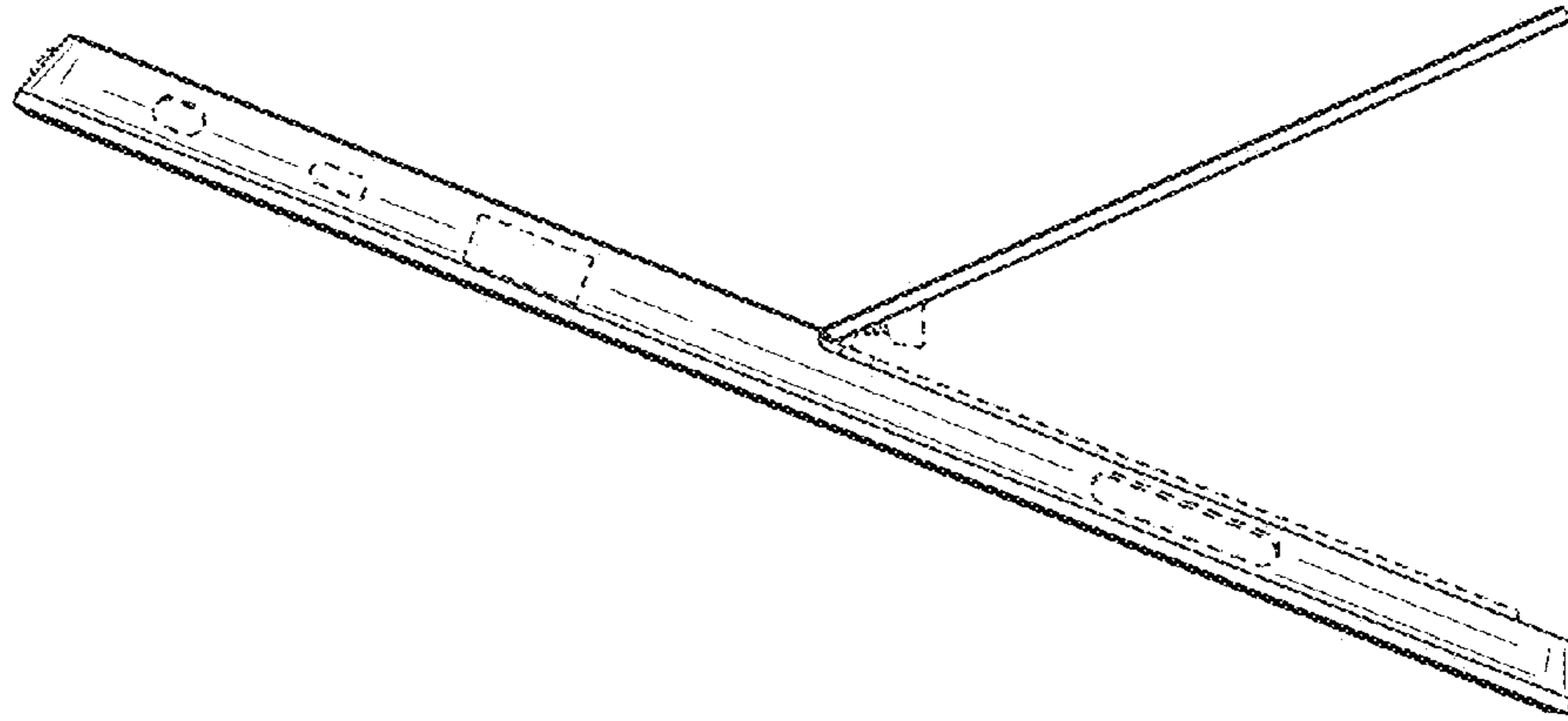


FIG. 7

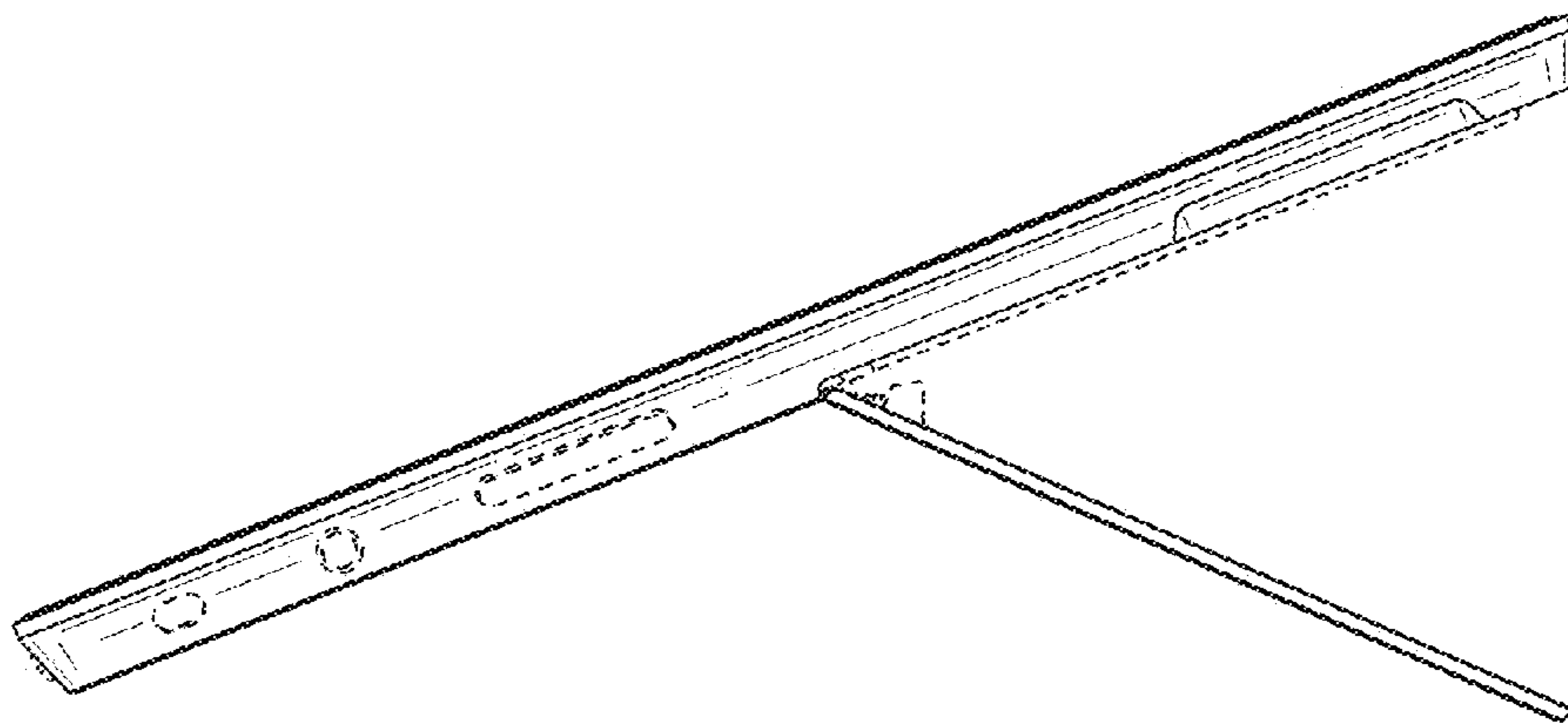


FIG. 6