



US00D705777S

(12) **United States Design Patent**  
**Groene et al.**

(10) **Patent No.:** **US D705,777 S**

(45) **Date of Patent:** **\*\* \*May 27, 2014**

(54) **ELECTRONIC TABLET**

(71) Applicant: **Microsoft Corporation**, Redmond, WA (US)

(72) Inventors: **Ralf Groene**, Kirkland, WA (US); **Hua Wang**, Sammamish, WA (US); **Anthony Reed**, Sammamish, WA (US); **Katherine Bailey**, Seattle, WA (US); **James Alec Ishihara**, Bellevue, WA (US); **Jan Raken**, Seattle, WA (US)

(73) Assignee: **Microsoft Corporation**, Redmond, WA (US)

(\*) Notice: This patent is subject to a terminal disclaimer.

(\*\*) Term: **14 Years**

(21) Appl. No.: **29/448,262**

(22) Filed: **Mar. 11, 2013**

**Related U.S. Application Data**

(63) Continuation of application No. 29/422,117, filed on May 16, 2012, now Pat. No. Des. 677,660.

(51) **LOC (10) Cl.** ..... **14-02**

(52) **U.S. Cl.**  
USPC ..... **D14/341**

(58) **Field of Classification Search**  
USPC ..... D14/341-347, 336, 337, 371, 374, 138, D14/496; D10/65; 345/901, 104, 133, 156, 345/168, 173; 348/180, 184, 325, 739, 373, 348/376; 385/88; 710/62; 455/575.3, 575.1; D19/60; 361/679.27; 178/18.03; 434/317

See application file for complete search history.

(56) **References Cited**

U.S. PATENT DOCUMENTS

D284,084	S	*	6/1986	Ferrara, Jr.	.....	D14/389
5,128,662	A	*	7/1992	Failla	.....	345/1.3
D333,574	S		3/1993	Ackeret		
D426,548	S		6/2000	Oross		
D492,684	S		7/2004	Ozolins		
D500,037	S		12/2004	Ozolins et al.		
6,882,524	B2		4/2005	Ulla		
D504,889	S		5/2005	Andre		

(Continued)

FOREIGN PATENT DOCUMENTS

EM	001050264-0002	3/2008
EM	001911983	2/2011
EM	001888454-0002	7/2011

OTHER PUBLICATIONS

Microsoft Surface, posted Nov. 16, 2012 [online], [retrieved Dec. 12, 2012]. Retrieved from Internet, <http://reviews.cnet.co.uk>.

*Primary Examiner* — Barbara Fox

(74) *Attorney, Agent, or Firm* — Banner & Witcoff, Ltd.

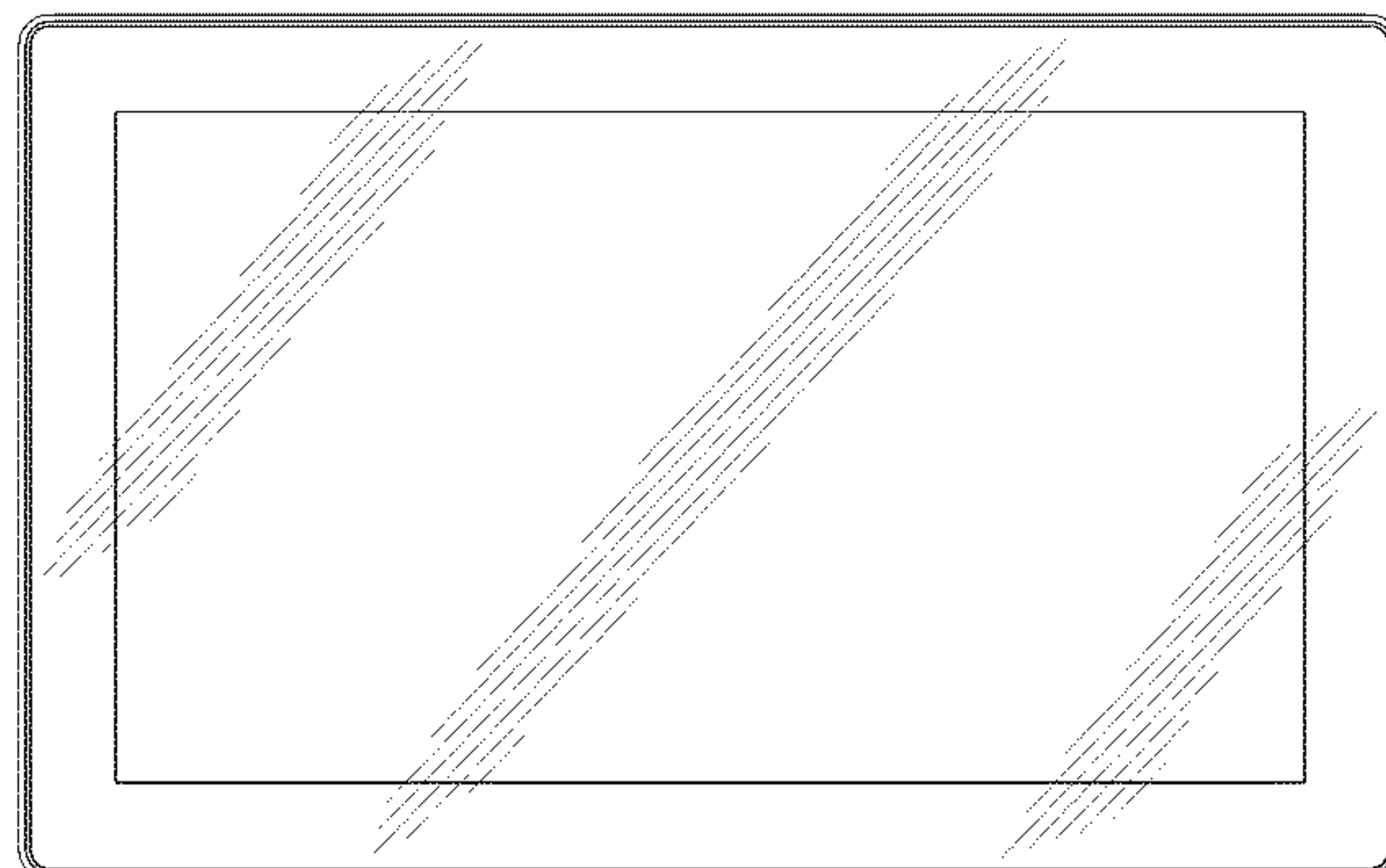
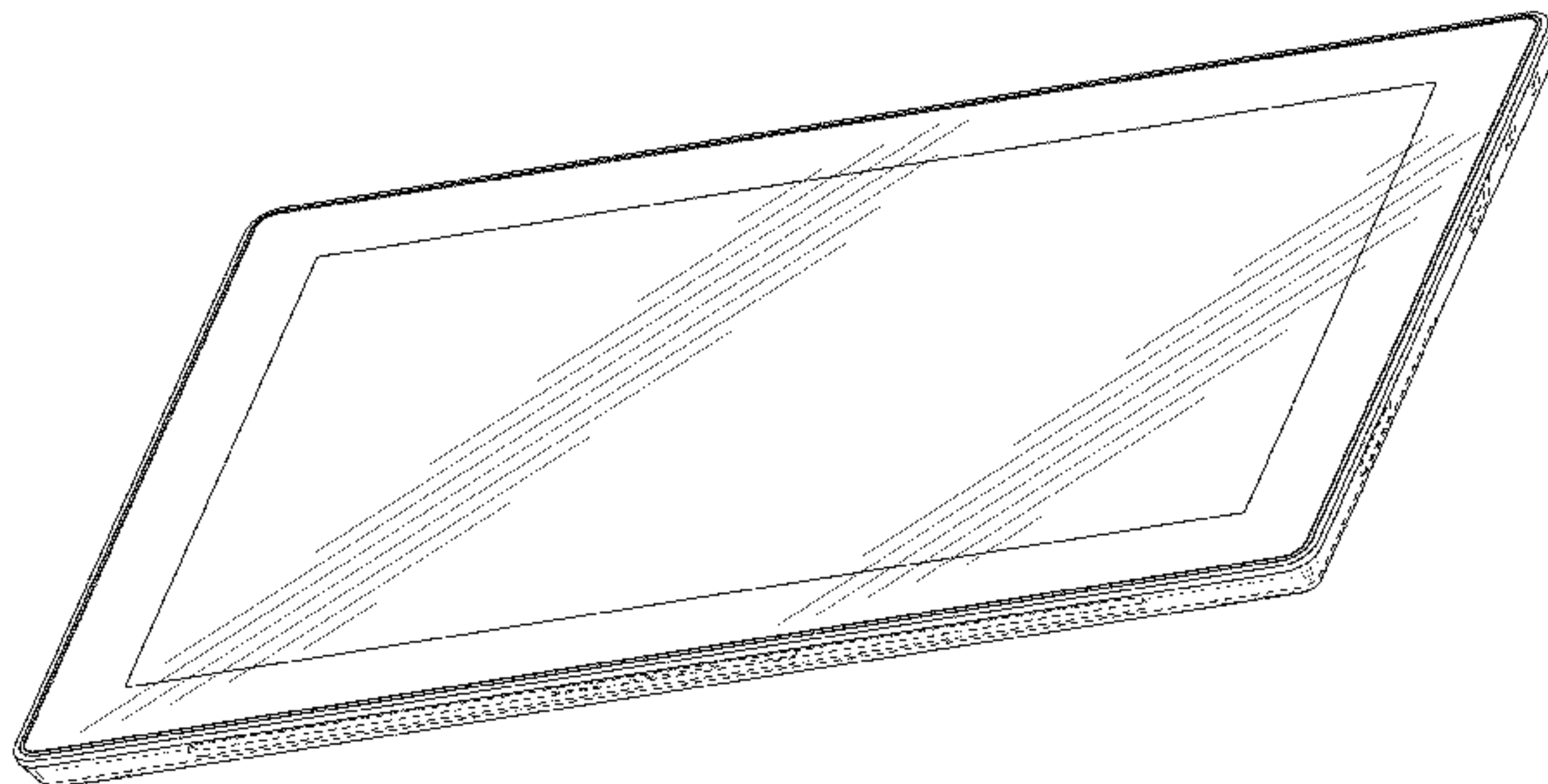
(57) **CLAIM**

The ornamental design for an electronic tablet, as shown and described.

**DESCRIPTION**

FIG. 1 is a front isometric view of an electronic tablet showing our new design;  
FIG. 2 is a rear isometric view thereof;  
FIG. 3 is a front view thereof;  
FIG. 4 is a top view thereof;  
FIG. 5 is a bottom view thereof;  
FIG. 6 is a left side view thereof;  
FIG. 7 is a right side view thereof; and,  
FIG. 8 is a rear view thereof.  
The broken line showing of various features on the electronic tablet is for environmental purposes only and forms no part of the claimed design.

**1 Claim, 5 Drawing Sheets**



(56)

References Cited

U.S. PATENT DOCUMENTS

D543,979 S	6/2007	Lee		D641,018 S	7/2011	Lee et al.	
7,299,580 B2	11/2007	Wang		D642,563 S	8/2011	Akana et al.	
D557,259 S	12/2007	Hirsch		D645,465 S	9/2011	Lin	
D558,460 S	1/2008	Yu		D646,902 S	10/2011	Woo et al.	
7,342,776 B1	3/2008	Chan		D649,190 S	11/2011	Goodall	
D579,939 S	11/2008	Skillman		D650,380 S	12/2011	Ballout	
D584,304 S *	1/2009	Lin	..... D14/346	D652,418 S	1/2012	Rashid et al.	
D585,399 S *	1/2009	Hwang	..... D14/130	D654,074 S	2/2012	Wood et al.	
D601,353 S	10/2009	Sadler et al.		D654,497 S	2/2012	Lee	
D603,398 S	11/2009	Watson		D656,136 S	3/2012	Lee	
D609,705 S	2/2010	Andre et al.		D656,137 S	3/2012	Chung	
D613,286 S	4/2010	Lee		D659,139 S	5/2012	Gengler	
D615,527 S	5/2010	Hwang		D663,281 S	7/2012	Hwang	
D616,448 S	5/2010	Skillman		D664,954 S	8/2012	Kim	
D617,793 S	6/2010	Chiang et al.		D665,370 S	8/2012	Chung	
D622,240 S	8/2010	Liu et al.		D667,397 S	9/2012	Koh	
D627,343 S	11/2010	Andre		D667,398 S	9/2012	Koh	
D627,777 S	11/2010	Akana et al.		D667,399 S	9/2012	Koh	
D627,779 S	11/2010	Liao		D668,650 S	10/2012	Han	
D629,216 S	12/2010	Stoddard		D668,651 S	10/2012	Kim et al.	
D629,800 S	12/2010	Seong		D669,069 S	10/2012	Akana et al.	
D630,207 S	1/2011	Seong		D669,468 S	10/2012	Akana et al.	
D631,469 S	1/2011	Demskie		D670,286 S	11/2012	Akana et al.	
D631,474 S	1/2011	Green		D671,514 S	11/2012	Kim et al.	
D632,687 S	2/2011	Seong		D671,938 S *	12/2012	Hsu et al. ....	D14/341
D632,688 S	2/2011	Seong		D671,940 S	12/2012	Kim	
D633,090 S	2/2011	Andre et al.		D675,203 S *	1/2013	Yang	..... D14/341
D633,091 S	2/2011	Andre et al.		D677,660 S *	3/2013	Groene et al. ....	D14/341
D636,768 S	4/2011	Chan		D678,271 S *	3/2013	Chiu	..... D14/341
D636,770 S	4/2011	Li		D678,272 S *	3/2013	Groene et al. ....	D14/345
D637,596 S *	5/2011	Akana et al. ....	D14/341	D678,877 S *	3/2013	Groene et al. ....	D14/341
D637,597 S	5/2011	Seong		D678,885 S *	3/2013	Gengler	..... D14/447
D638,419 S	5/2011	Ishiharada		8,400,767 B2 *	3/2013	Yeom et al. ....	361/679.59
D638,833 S	5/2011	Chuang		D685,778 S *	7/2013	Fahrendorff et al. ....	D14/250
D638,836 S	5/2011	Daniel		2005/0052831 A1	3/2005	Chen	
D641,016 S	7/2011	Takahashi		2006/0237599 A1	10/2006	Ternus et al.	
D641,017 S	7/2011	Meng		2012/0140396 A1	6/2012	Zeliff	
				2012/0194448 A1	8/2012	Rothkopf	

\* cited by examiner



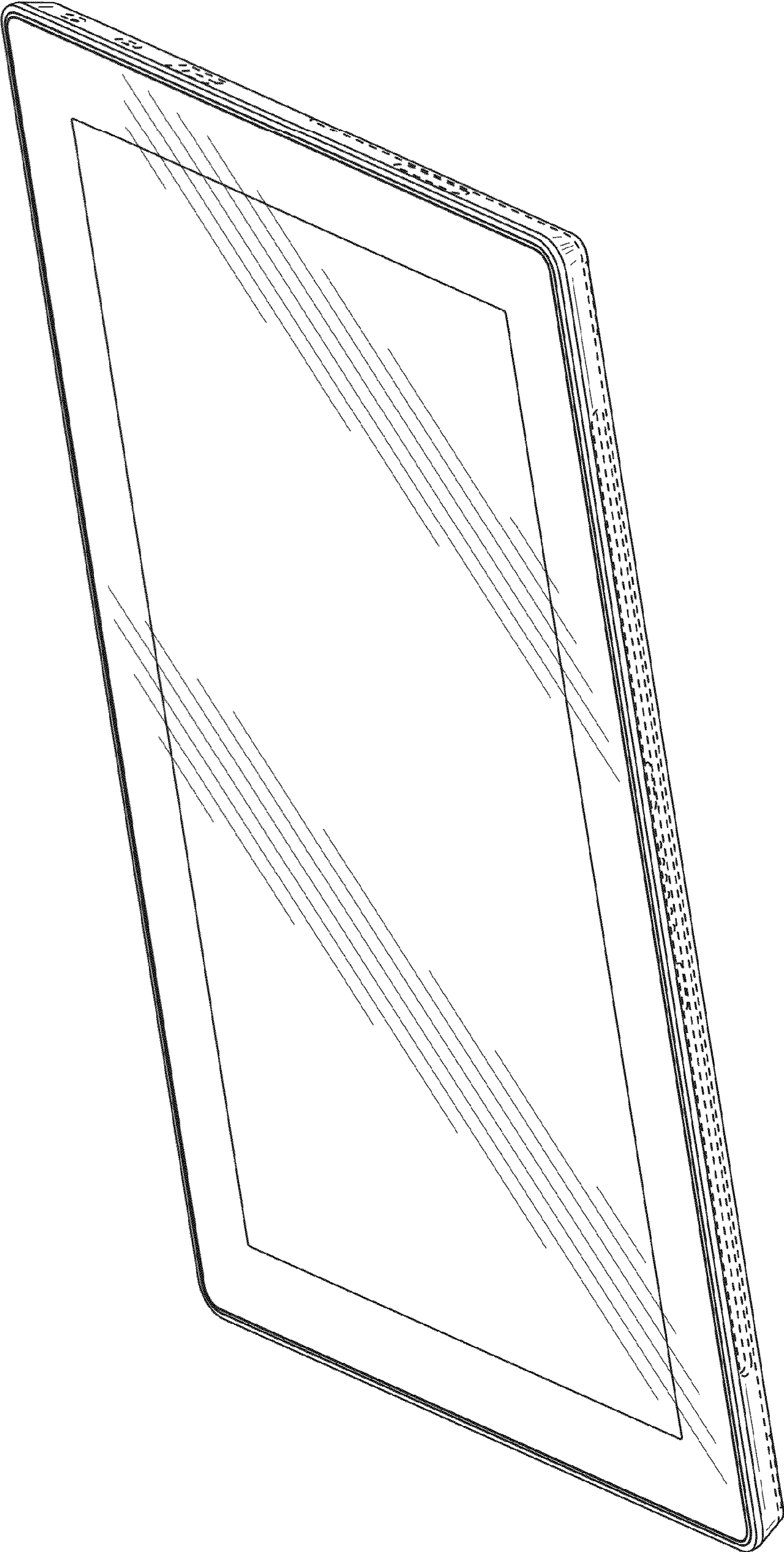


FIG. 1

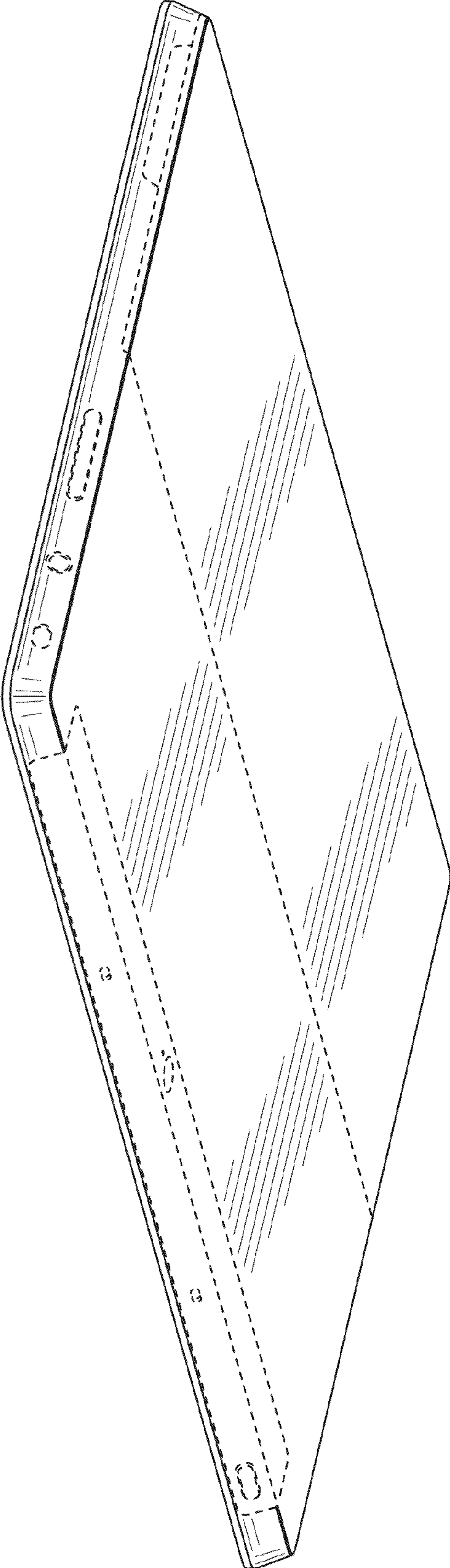


FIG. 2

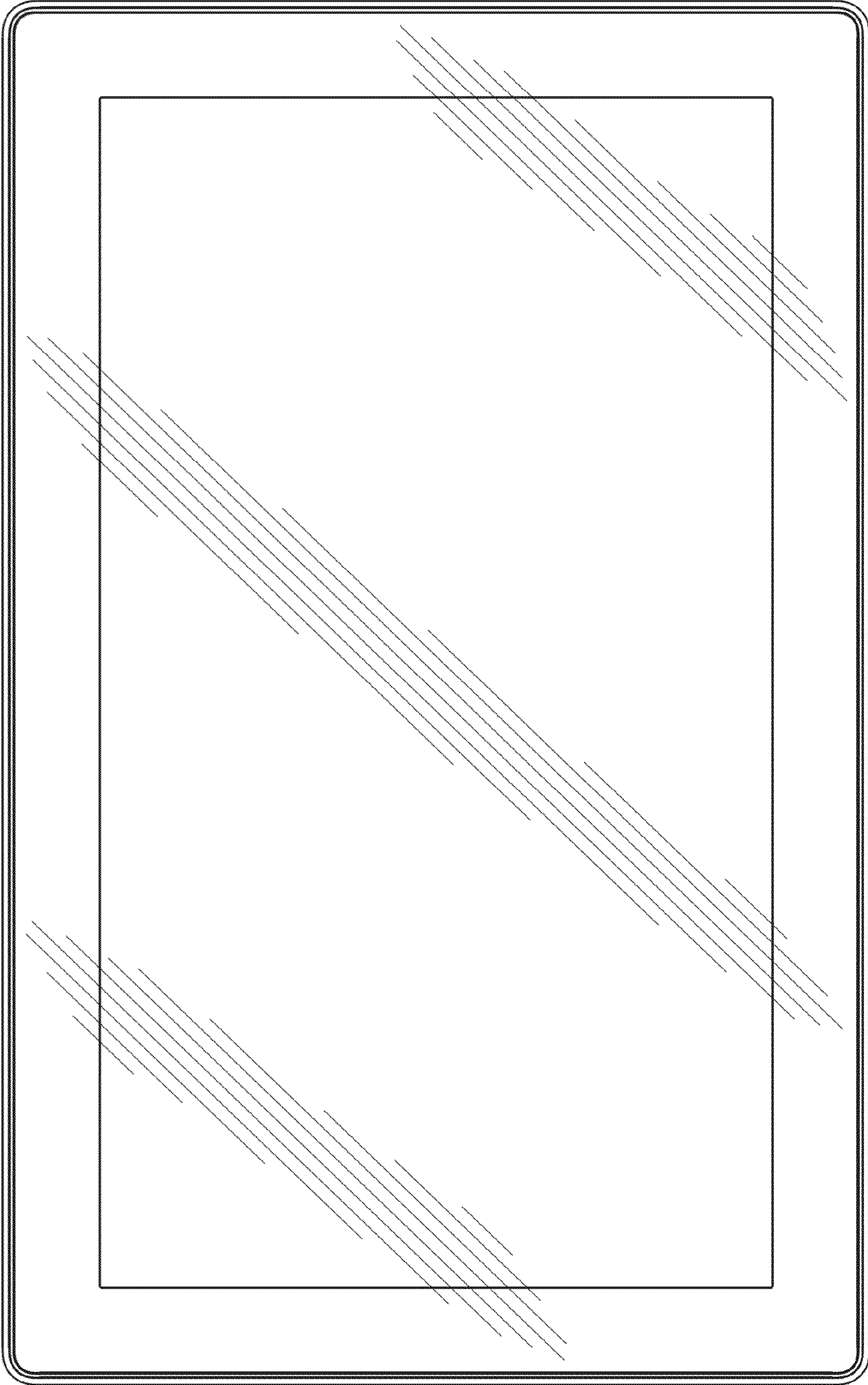


FIG. 3





FIG. 4



FIG. 5

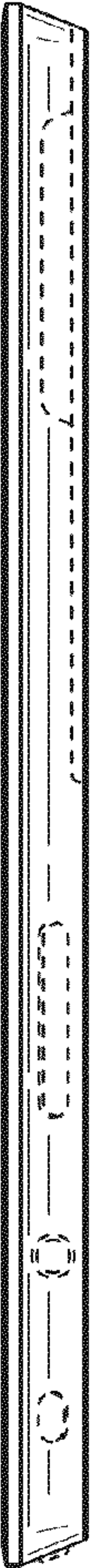


FIG. 6

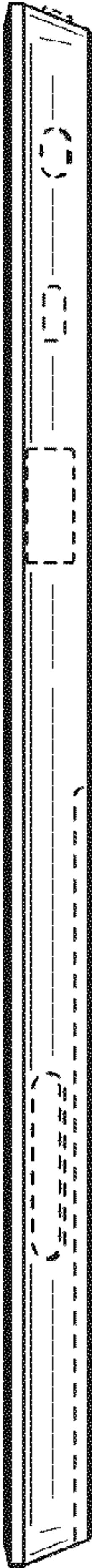


FIG. 7

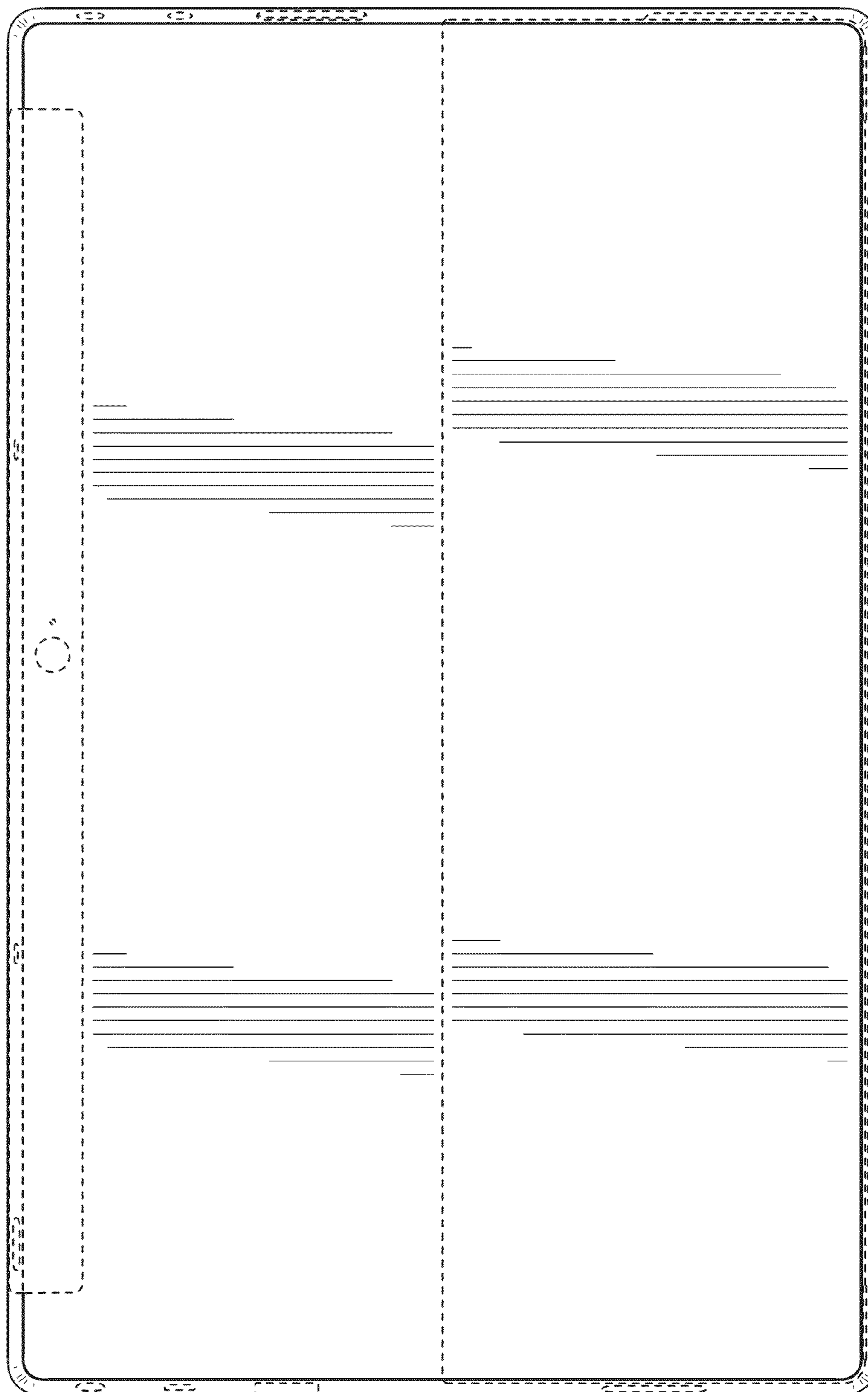


FIG. 8