



US00D705773S

(12) **United States Design Patent**  
**Tian**

(10) **Patent No.:** **US D705,773 S**

(45) **Date of Patent:** **\*\* May 27, 2014**

(54) **ELECTRONIC COMPUTER**

(71) Applicants: **Lenovo (Beijing) Co., Ltd.**, Beijing (CN); **Beijing Lenovo Software Ltd.**, Beijing (CN)

(72) Inventor: **Chunyu Tian**, Beijing (CN)

(73) Assignees: **Lenovo (Beijing) Co., Ltd.**, Beijing (CN); **Beijing Lenovo Software Ltd.**, Beijing (CN)

(\*\*) Term: **14 Years**

(21) Appl. No.: **29/433,239**

(22) Filed: **Sep. 27, 2012**

(30) **Foreign Application Priority Data**

Mar. 30, 2012 (CN) ..... 2012 3 0084531

(51) **LOC (10) Cl.** ..... **14-02**

(52) **U.S. Cl.**  
USPC ..... **D14/318**; D14/316

(58) **Field of Classification Search**  
USPC ..... D14/315-327, 455; D18/1, 2, 7, 11; 235/145 A, 145 R; 341/22, 23; 345/104, 345/156, 168, 169, 173; 361/679.08, 361/679.09, 679.11, 679.26, 679.27  
See application file for complete search history.

(56) **References Cited**

**U.S. PATENT DOCUMENTS**

D487,891 S 3/2004 Yang et al.  
D587,701 S \* 3/2009 Yoon ..... D14/318  
D615,539 S \* 5/2010 Jen ..... D14/315  
D638,833 S 5/2011 Chuang  
D642,172 S 7/2011 Akana et al.  
D651,206 S \* 12/2011 Kim et al. .... D14/315

D656,934 S \* 4/2012 Lee et al. .... D14/315  
D661,296 S 6/2012 Akana et al.  
D661,298 S \* 6/2012 Park et al. .... D14/327  
D661,301 S \* 6/2012 Kim et al. .... D14/327  
2011/0255727 A1\* 10/2011 Azuchi ..... 381/333

**OTHER PUBLICATIONS**

First Office Action dated May 7, 2013 of corresponding Japanese application No. 2012-023882 (5 pages including English translation).

\* cited by examiner

*Primary Examiner* — Freda S Nunn

(74) *Attorney, Agent, or Firm* — Brinks Gilson & Lione; G. Peter Nichols

(57) **CLAIM**

The ornamental design for electronic computer, as shown and described.

**DESCRIPTION**

FIG. 1 is a front view of an electronic computer of the present invention;

FIG. 2 is a rear view thereof;

FIG. 3 is a left side view thereof;

FIG. 4 is a right side view thereof;

FIG. 5 is a top plan view thereof;

FIG. 6 is a bottom view thereof;

FIG. 7 is a perspective view thereof;

FIG. 8 is a perspective view thereof showing the computer in a 45 degree open position;

FIG. 9 is another perspective view thereof showing the computer in a 315 degree open position;

FIG. 10 is another perspective view thereof showing the computer in a 315 degree open position; and,

FIG. 11 is another perspective view thereof showing the computer in a 360 degree open position.

**1 Claim, 6 Drawing Sheets**

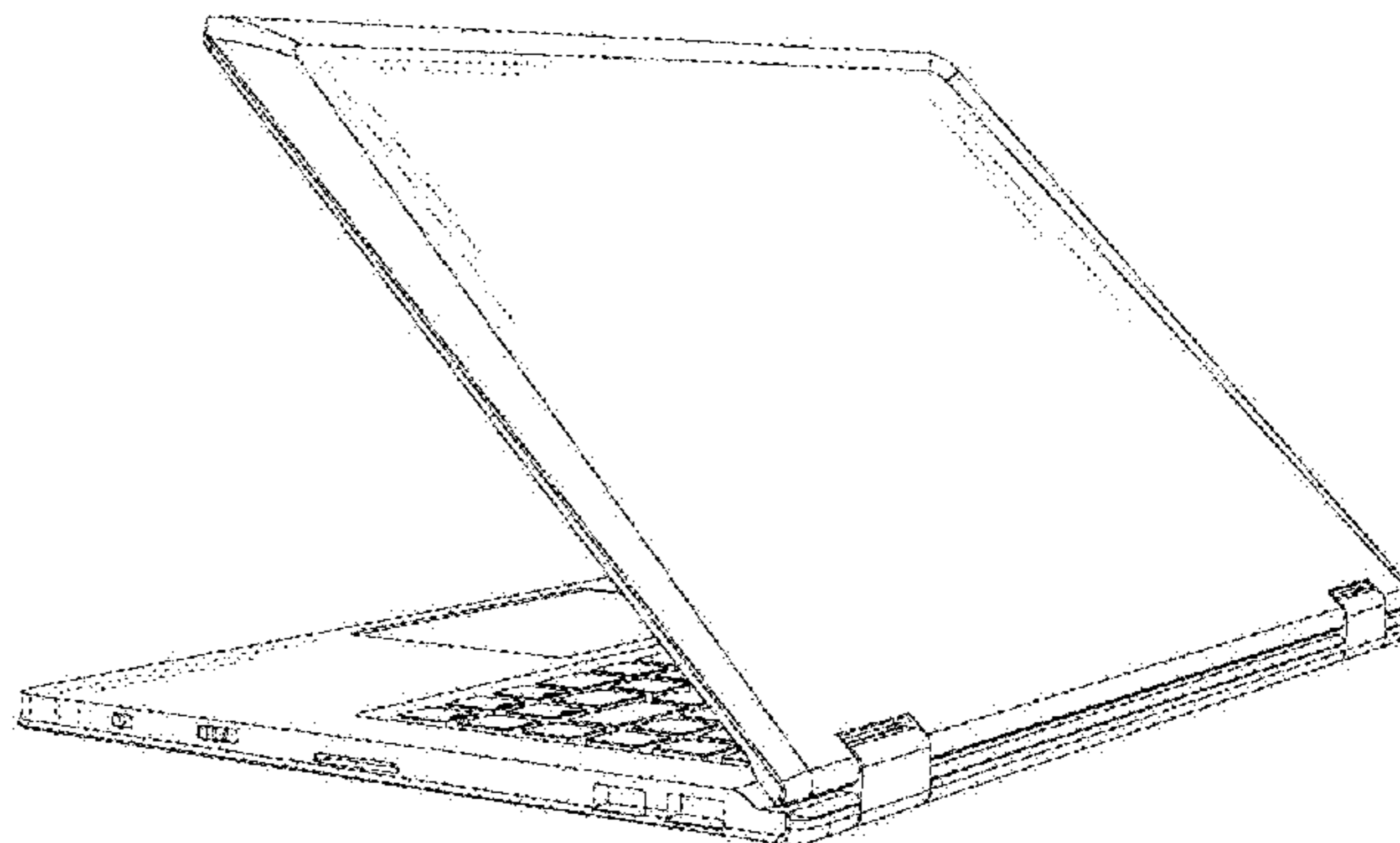
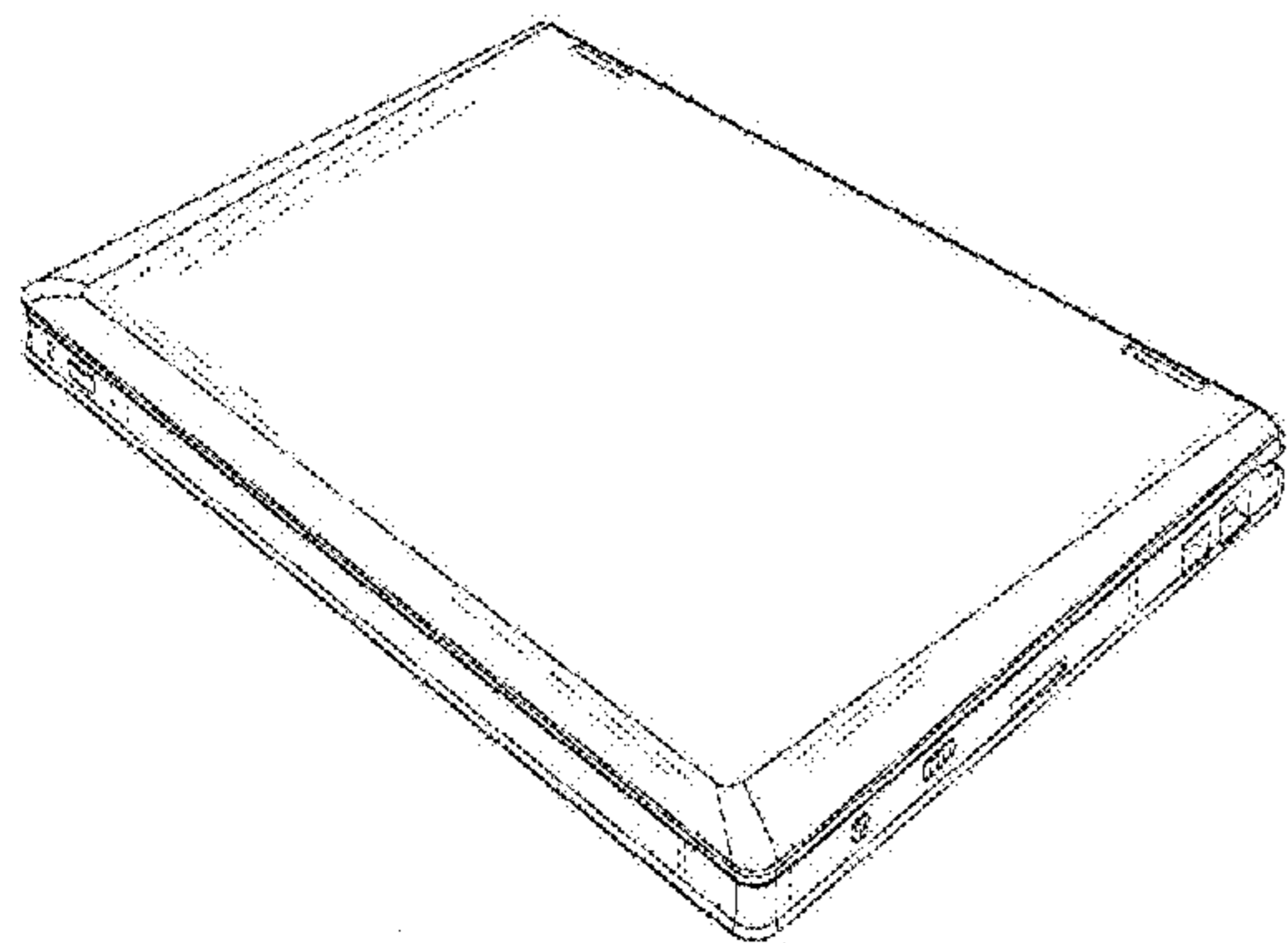




Fig. 1

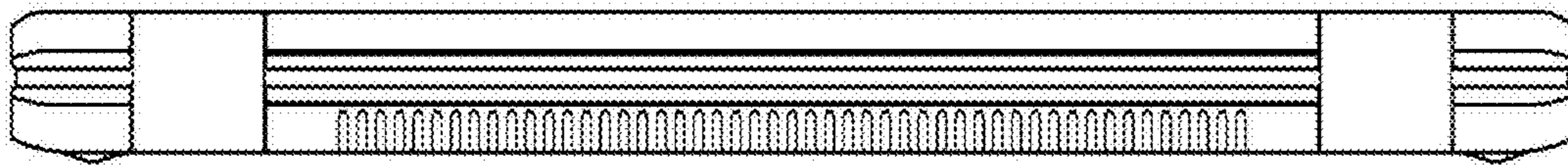


Fig. 2

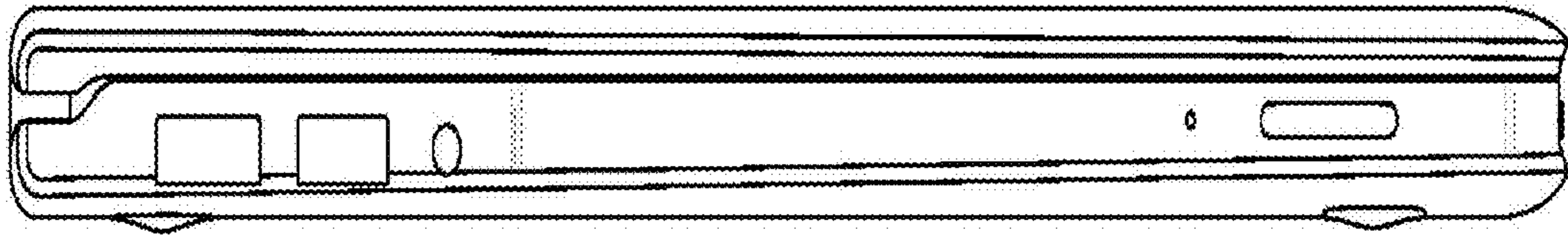


Fig. 3

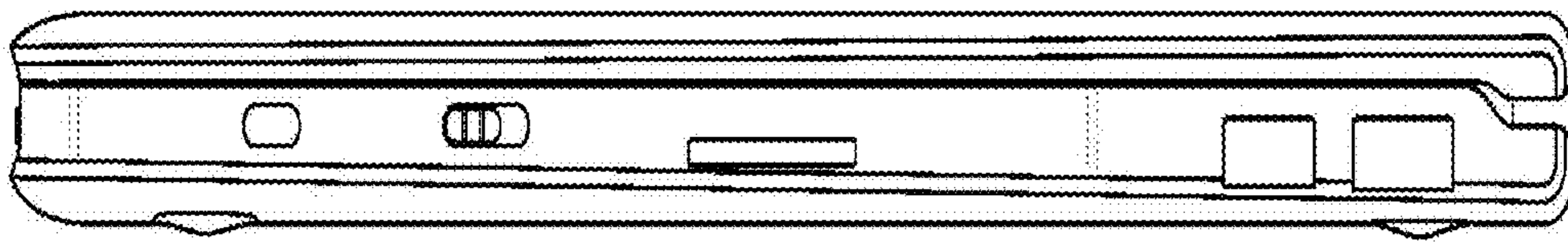


Fig. 4

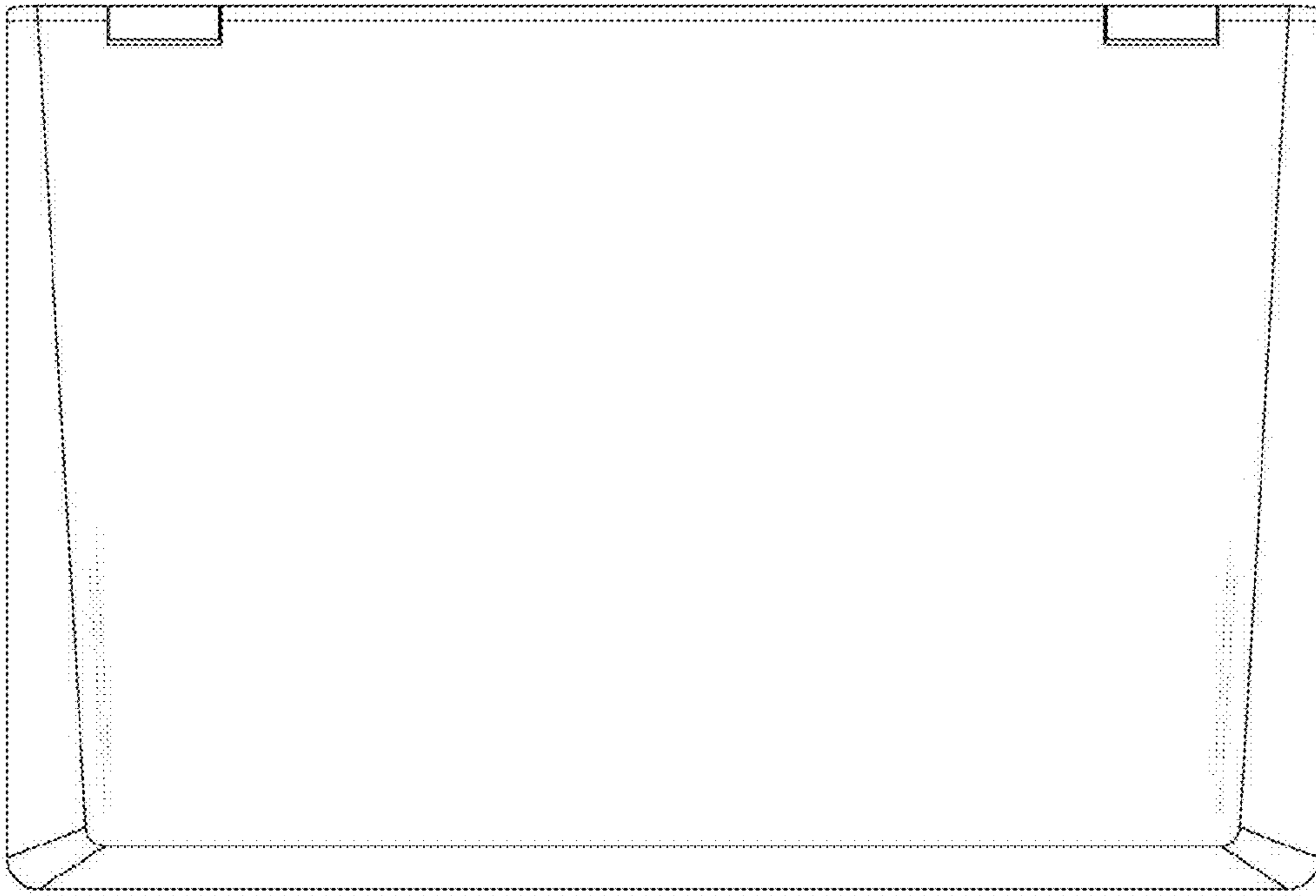


Fig. 5

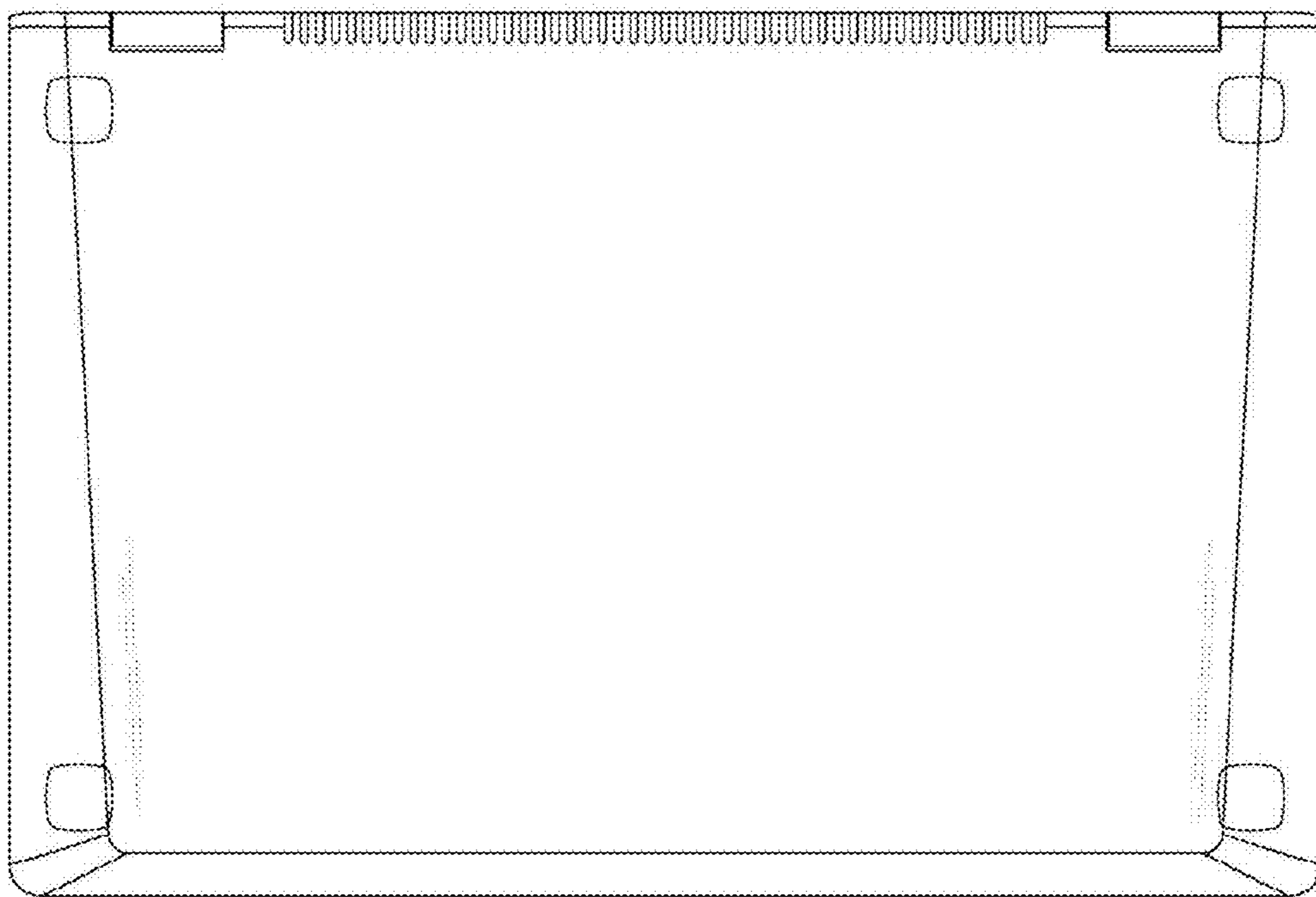


Fig. 6



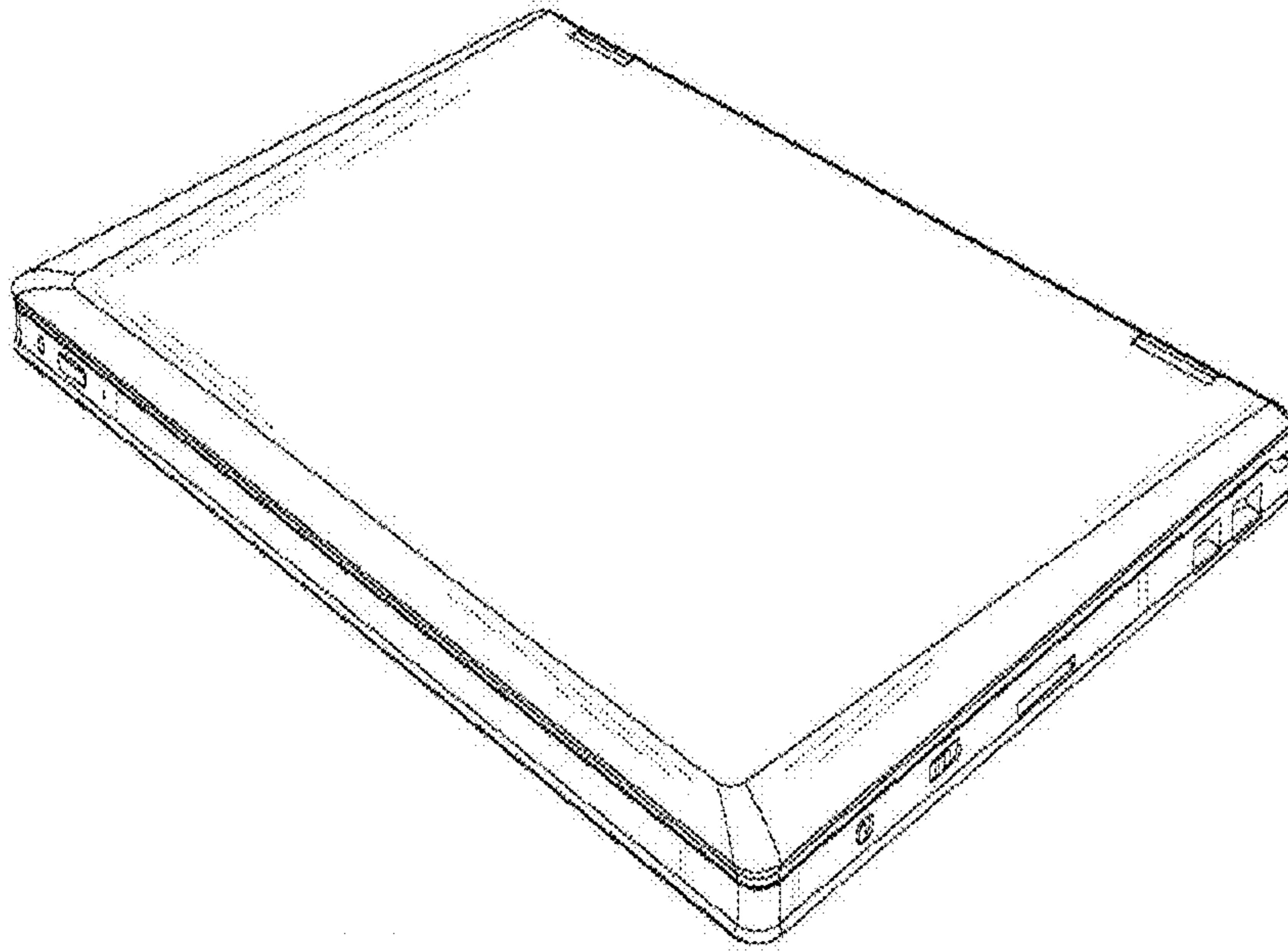


Fig. 7

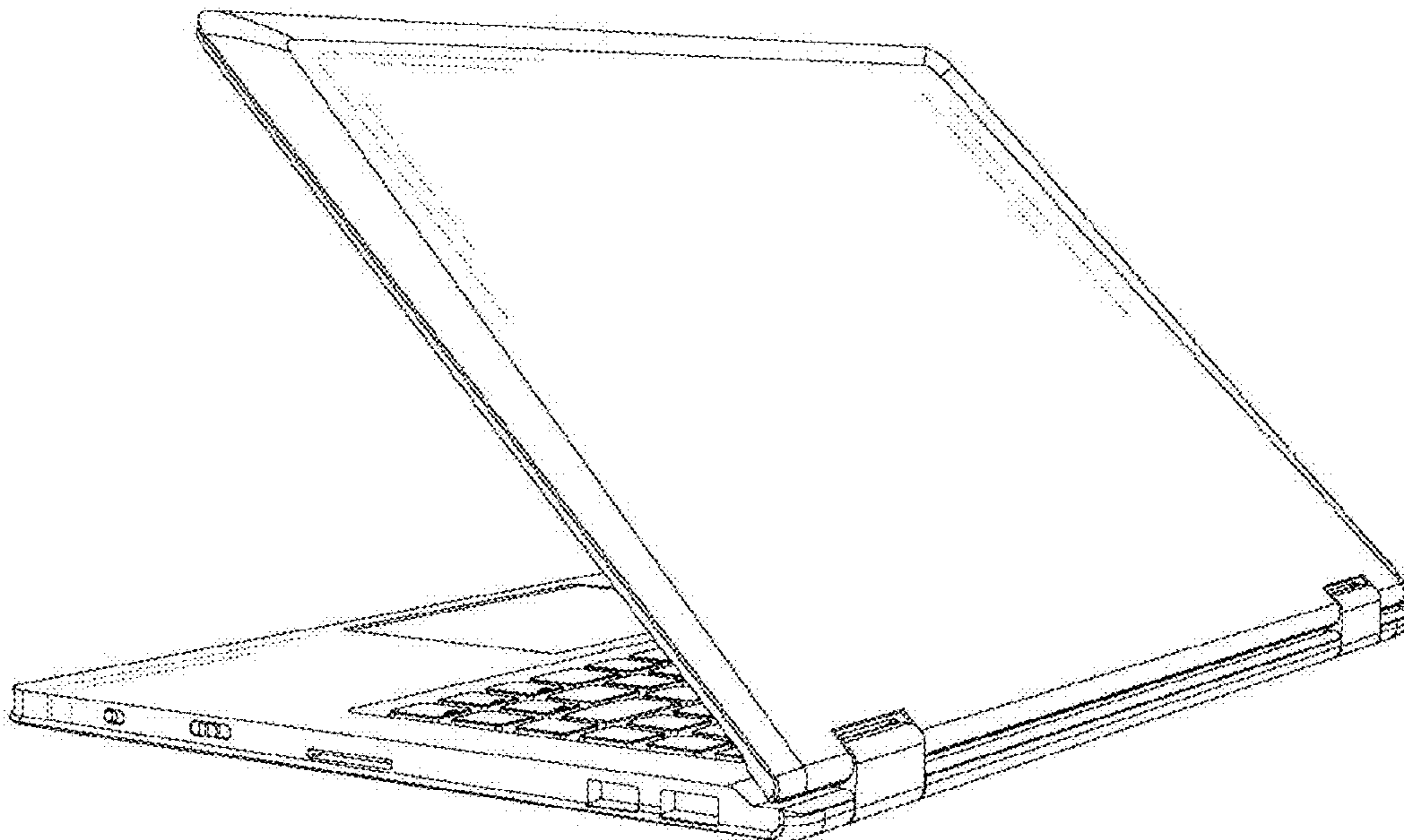


Fig. 8

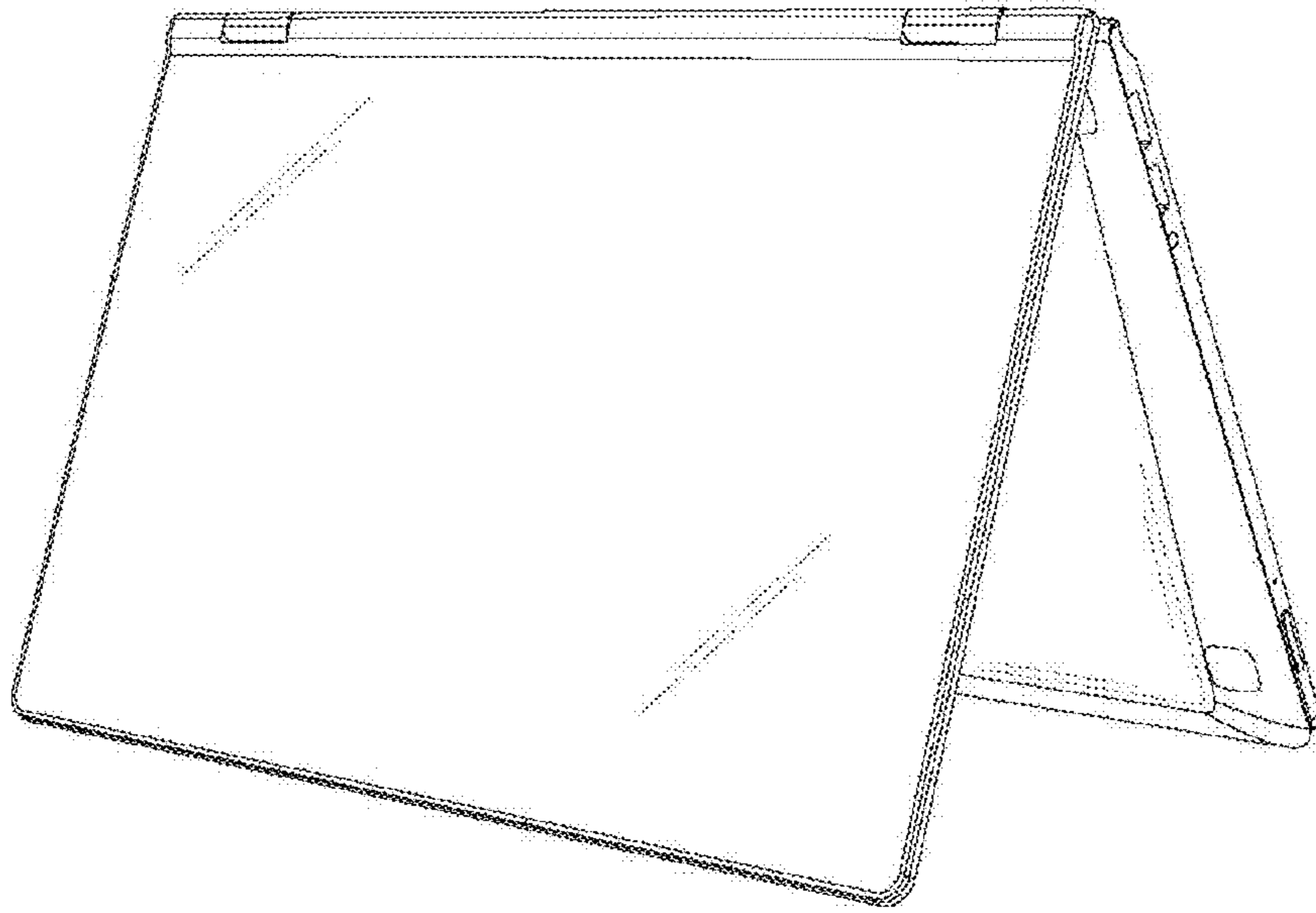


Fig. 9

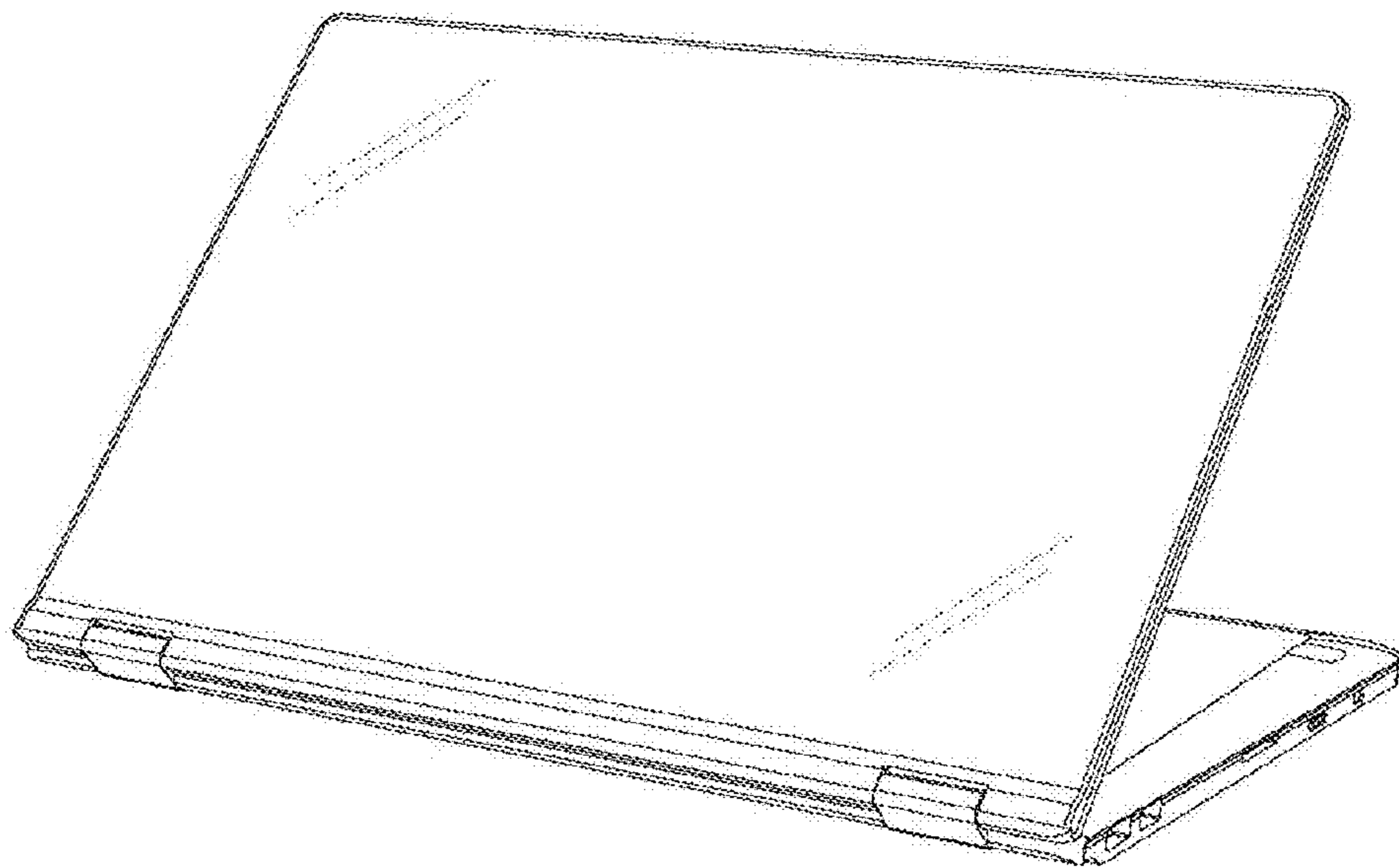


Fig. 10

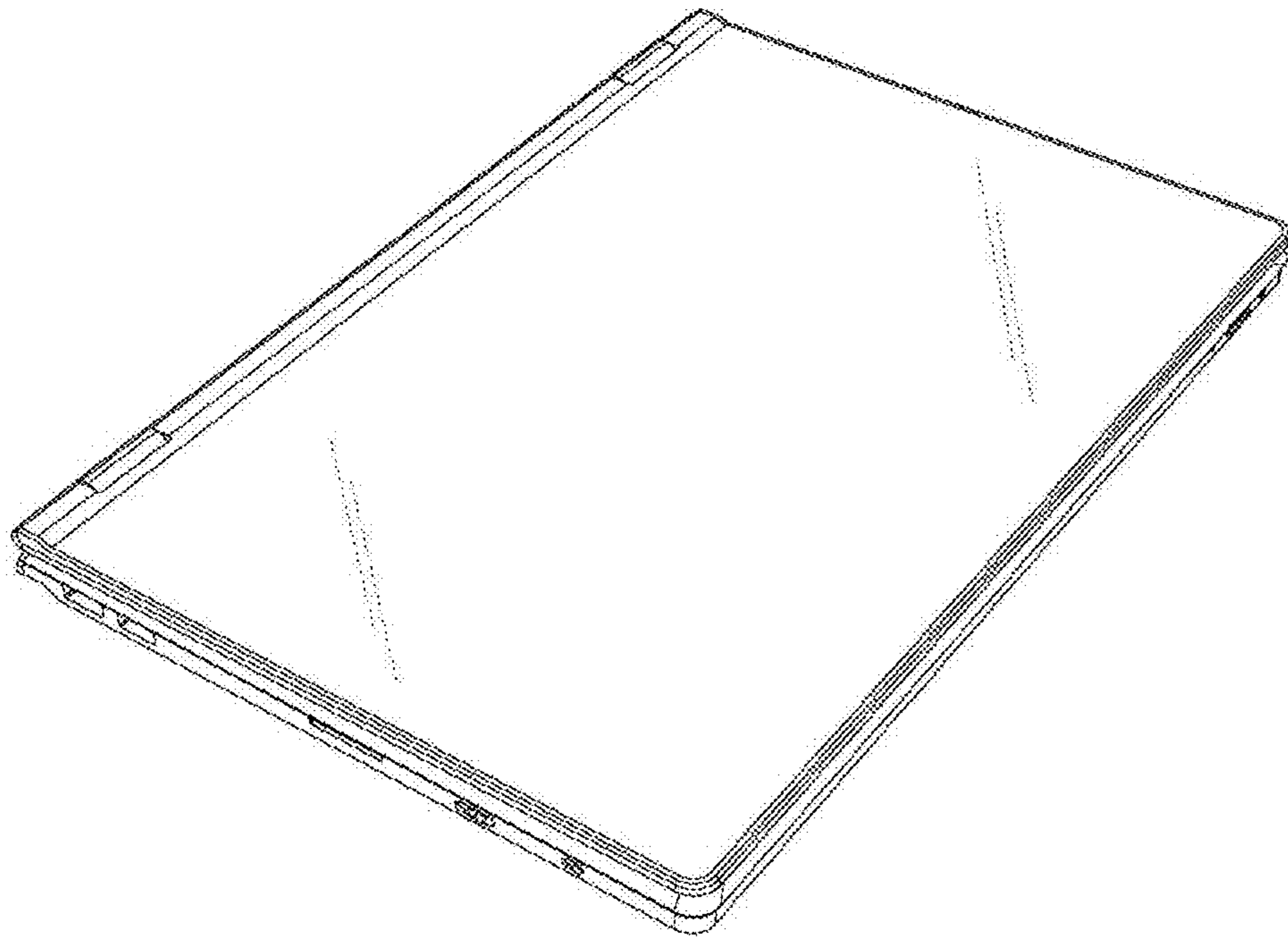


Fig. 11