



US00D705766S

(12) **United States Design Patent**
Melanson et al.

(10) **Patent No.:** **US D705,766 S**

(45) **Date of Patent:** **** May 27, 2014**

(54) **CASE FOR ELECTRONIC DEVICE**

(71) Applicant: **Otter Products, LLC**, Fort Collins, CO (US)

(72) Inventors: **Christopher Melanson**, Fort Collins, CO (US); **Cameron Magness**, Fort Collins, CO (US)

(73) Assignee: **Otter Products, LLC**, Fort Collins, CO (US)

(**) Term: **14 Years**

(21) Appl. No.: **29/434,019**

(22) Filed: **Oct. 9, 2012**

(51) **LOC (10) Cl.** **14-03**

(52) **U.S. Cl.**
USPC **D14/250**

(58) **Field of Classification Search**
USPC D14/138 AD, 138 C, 138 G, 203.7, 230, D14/238.1, 240, 247, 248, 250, 253, 341, D14/345, 346, 439, 440, 447; D13/103, D13/107, 119; D3/201, 218, 269, 273, 303; 206/320; 81/3.47; D7/653; D8/14, 347; 455/456.1, 575.1, 575.4, 575.8; 42/50

See application file for complete search history.

(56) **References Cited**

U.S. PATENT DOCUMENTS

1,948,233	A *	2/1934	Janik	482/11
D422,787	S *	4/2000	Feng	D3/273
D433,922	S *	11/2000	Hatada et al.	D8/347
D465,089	S *	11/2002	Harada	D4/104
D476,229	S *	6/2003	Skillings	D9/432
D487,111	S *	2/2004	Rosenbaum	D19/36
D523,299	S *	6/2006	Johnson	D7/653
D541,112	S *	4/2007	Bodum	D7/653
D618,161	S *	6/2010	Xu	D12/566

D620,000	S *	7/2010	Bau	D14/250
D623,652	S *	9/2010	Hsu	D14/439
D644,215	S *	8/2011	Dong	D14/250
D662,925	S *	7/2012	Mayberry et al.	D14/250
D674,792	S *	1/2013	Magness	D14/250
D680,417	S *	4/2013	Crepinsek	D8/347
D681,621	S *	5/2013	Magness	D14/250
D681,622	S *	5/2013	Melanson et al.	D14/250
D684,149	S *	6/2013	Chang et al.	D14/250
D688,234	S *	8/2013	Esses	D14/250
D689,851	S *	9/2013	Chang et al.	D14/250
D691,006	S *	10/2013	Randall	D8/14
2010/0251590	A1 *	10/2010	Fitzpatrick et al.	42/50
2010/0294083	A1 *	11/2010	Hastings	81/3.47

OTHER PUBLICATIONS

Pocket GPS World, Otterbox iPhone 5 cases reviewed, by Mike Barrett, Review date Jan. 16, 2013, <<http://www.pocketgpsworld.com/Otterbox-iPhone-5-cases-reviewed.php>>, Retrieved from internet Dec. 31, 2013.*

(Continued)

Primary Examiner — Prabhakar Deshmukh
Assistant Examiner — Chelsea Sealey

(57) **CLAIM**

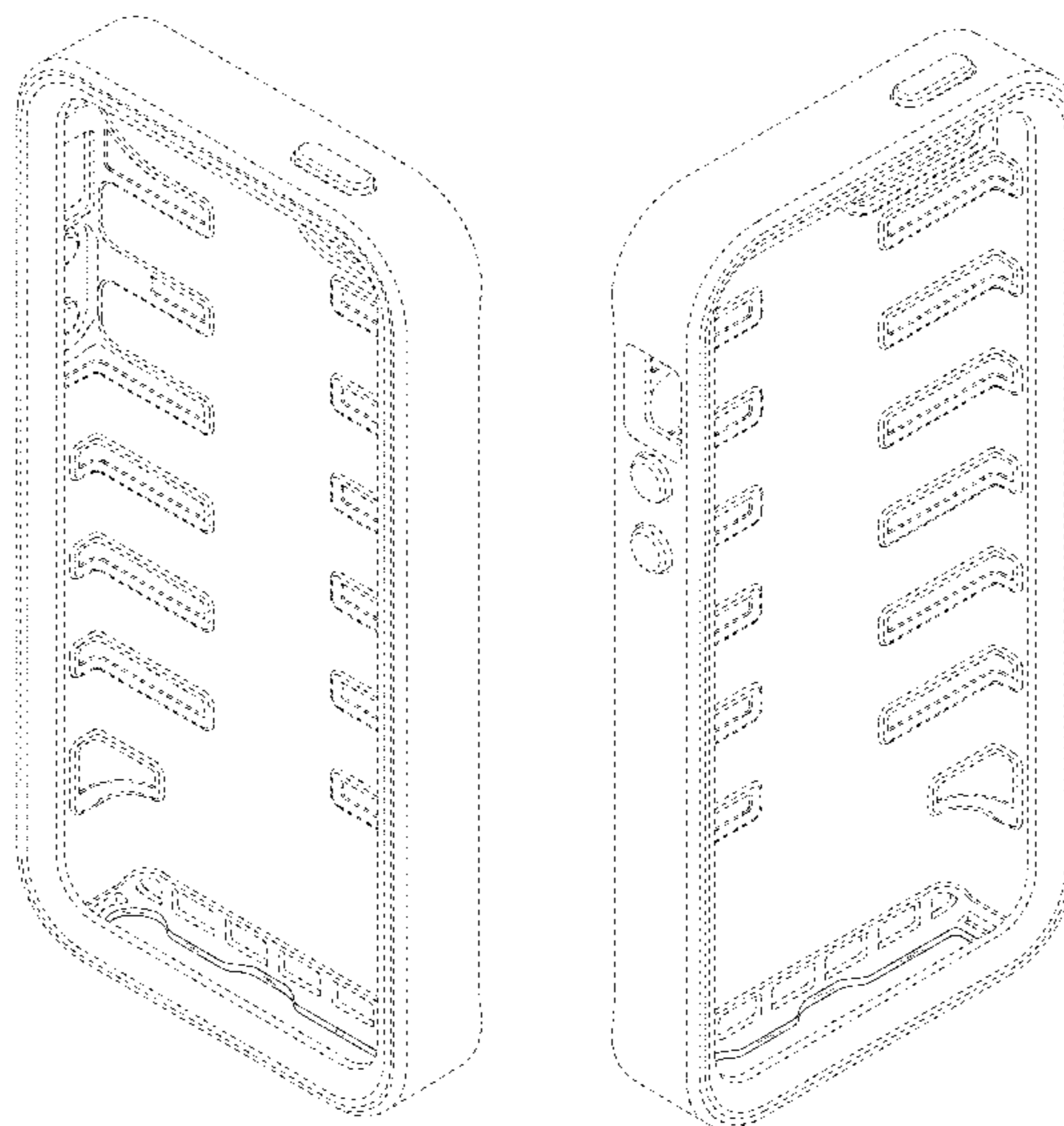
The ornamental design for a case for electronic device, as shown and described.

DESCRIPTION

FIG. 1 is a first front isometric view of a case for electronic device showing our new design; FIG. 2 is a second front isometric view thereof; and, FIG. 3 is a bottom view thereof.

The broken lines immediately adjacent the shaded surfaces represent boundaries of the claimed design. All other broken lines depict unclaimed environment. The broken lines and unshaded regions bounded by the broken lines form no part of the claimed design.

1 Claim, 3 Drawing Sheets



(56)

References Cited

OTHER PUBLICATIONS

Slash Gear, New iPhone cases bet on a non-iPod port, Posted Jul. 18, 2012, <<http://www.slashgear.com/new-iphone-cases-bet-on-a-non-ipod-port-18239218/>> Retrieved from internet Jan. 2, 2014.*

Bullet Train Bullet Blog, Why I Over-Engineered The Bottom of the BulletTrain Safe Wallet for Durability . . . , Jake Ehrlich, Published

Sep. 4, 2013, <<http://bulletblogbyjakee.blogspot.com/2013/01/belkin-headphone-adapter-for-apple-ipod.html>>, Retrieved from internet Jan. 2, 2014.*

iDownload Blog, They Cygnett SecondSkin softly protects your iPhone 5, by Jim Gresham, Posted Nov. 1, 2012, <<http://www.idownloadblog.com/2012/11/01/cygnett-second-skin/>>, Retrieved from internet on Jan. 2, 2014.*

* cited by examiner

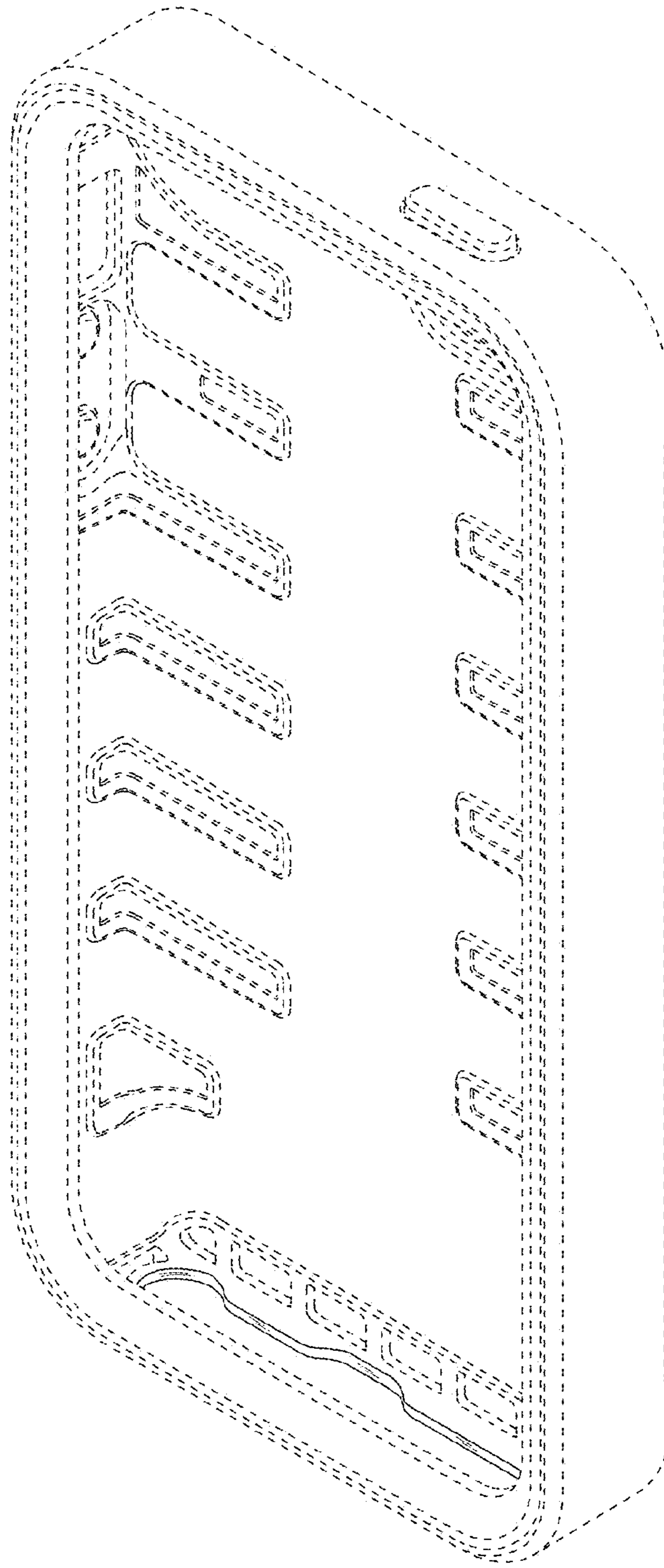


FIG. 1

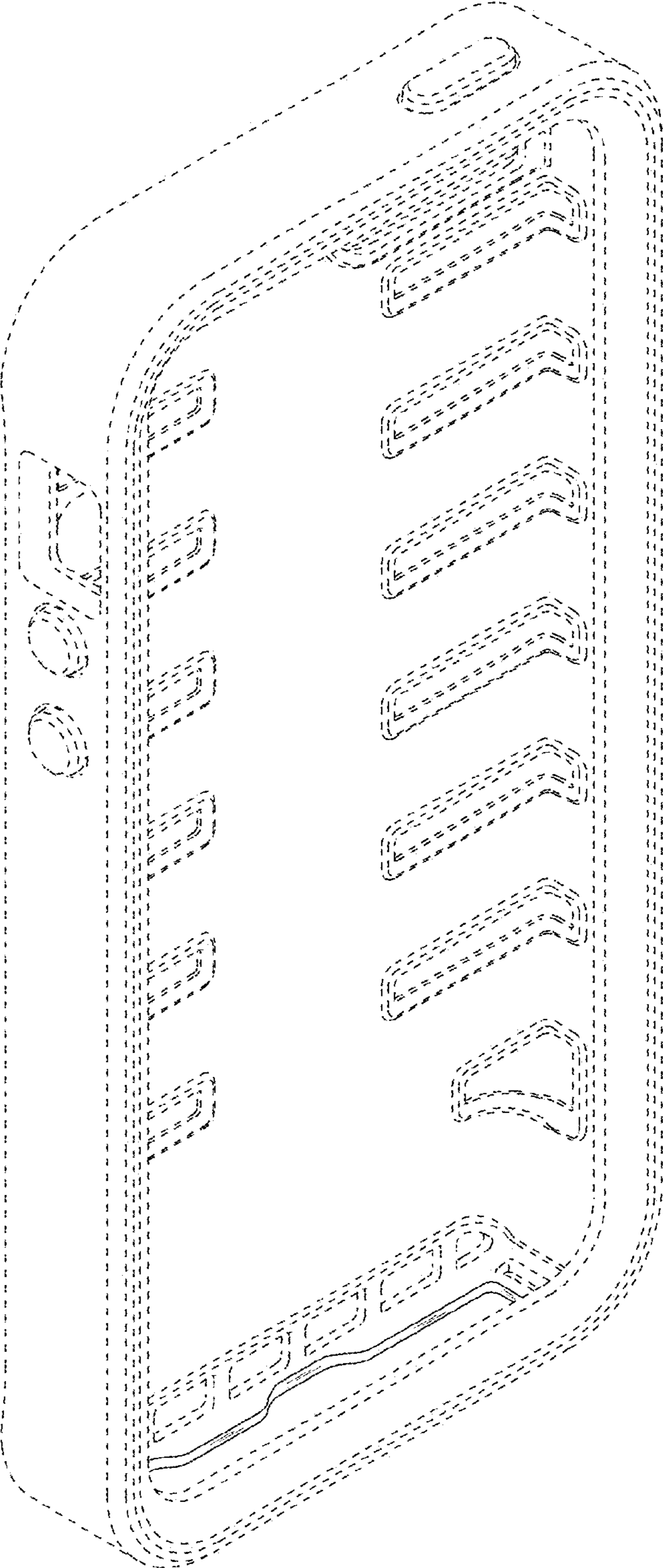


FIG. 2

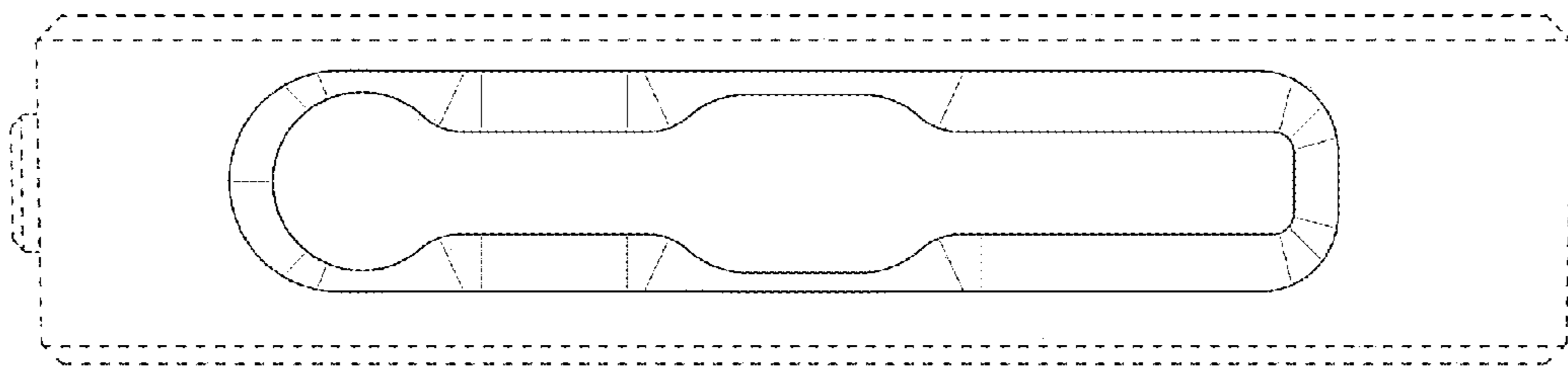


FIG. 3