



US00D705764S

(12) **United States Design Patent**  
**Thoni**

(10) **Patent No.:** **US D705,764 S**

(45) **Date of Patent:** **\*\* May 27, 2014**

(54) **WALLET PORTABLE ELECTRONIC DEVICE CASE**

(75) Inventor: **Mark Thoni**, Rancho Santa Margarita, CA (US)

(73) Assignee: **Targus Group International, Inc.**, Anaheim, CA (US)

(\*\*) Term: **14 Years**

(21) Appl. No.: **29/431,992**

(22) Filed: **Sep. 12, 2012**

(51) **LOC (10) Cl.** ..... **14-03**

(52) **U.S. Cl.**  
USPC ..... **D14/250**

(58) **Field of Classification Search**  
USPC ..... D14/203.3, 217, 234, 238.1, 240, 248, D14/250, 251, 252, 341, 342, 344, 440, 444, D14/447, 496; D3/201, 218, 247, 248, 269, D3/273, 301, 303; 206/305, 320; 248/309.1, 371, 176.3, 668; 455/575.1, 455/575.8; D19/26; D12/417

See application file for complete search history.

(56) **References Cited**

**U.S. PATENT DOCUMENTS**

2,554,215 A	5/1951	Schell et al.
2,556,066 A	6/1951	Cline
3,292,778 A	12/1966	Enderle
3,441,072 A	4/1969	Schmitt
3,530,213 A	9/1970	Isle
3,620,149 A	11/1971	Ogihara
4,106,597 A	8/1978	Shook et al.
4,259,568 A	3/1981	Dynesen
4,700,832 A	10/1987	Champ
4,901,897 A	2/1990	Briggs et al.
5,024,328 A	6/1991	Bontrager
5,165,649 A	11/1992	Neumann et al.
5,207,327 A	5/1993	Brondos
5,217,119 A	6/1993	Hollingsworth

5,330,049 A	7/1994	Bertelsen et al.
5,356,004 A	10/1994	Weinreb
5,524,754 A	6/1996	Hollingsworth
5,544,792 A	8/1996	Arnwine
5,555,157 A	9/1996	Moller et al.
5,594,619 A	1/1997	Miyagawa et al.

(Continued)

**FOREIGN PATENT DOCUMENTS**

CA	2 785 813 A1	12/2011
CA	2 758 982 A1	5/2012

(Continued)

**OTHER PUBLICATIONS**

Non-Final Office Action for U.S. Appl. No. 13/791,445, filed Mar. 8, 2013, and mailed from the USPTO on Dec. 27, 2013, 8 pgs.

(Continued)

*Primary Examiner* — Thomas Johannes

*Assistant Examiner* — Chelsea Sealey

(74) *Attorney, Agent, or Firm* — John R. Thompson; Stoel Rives LLP

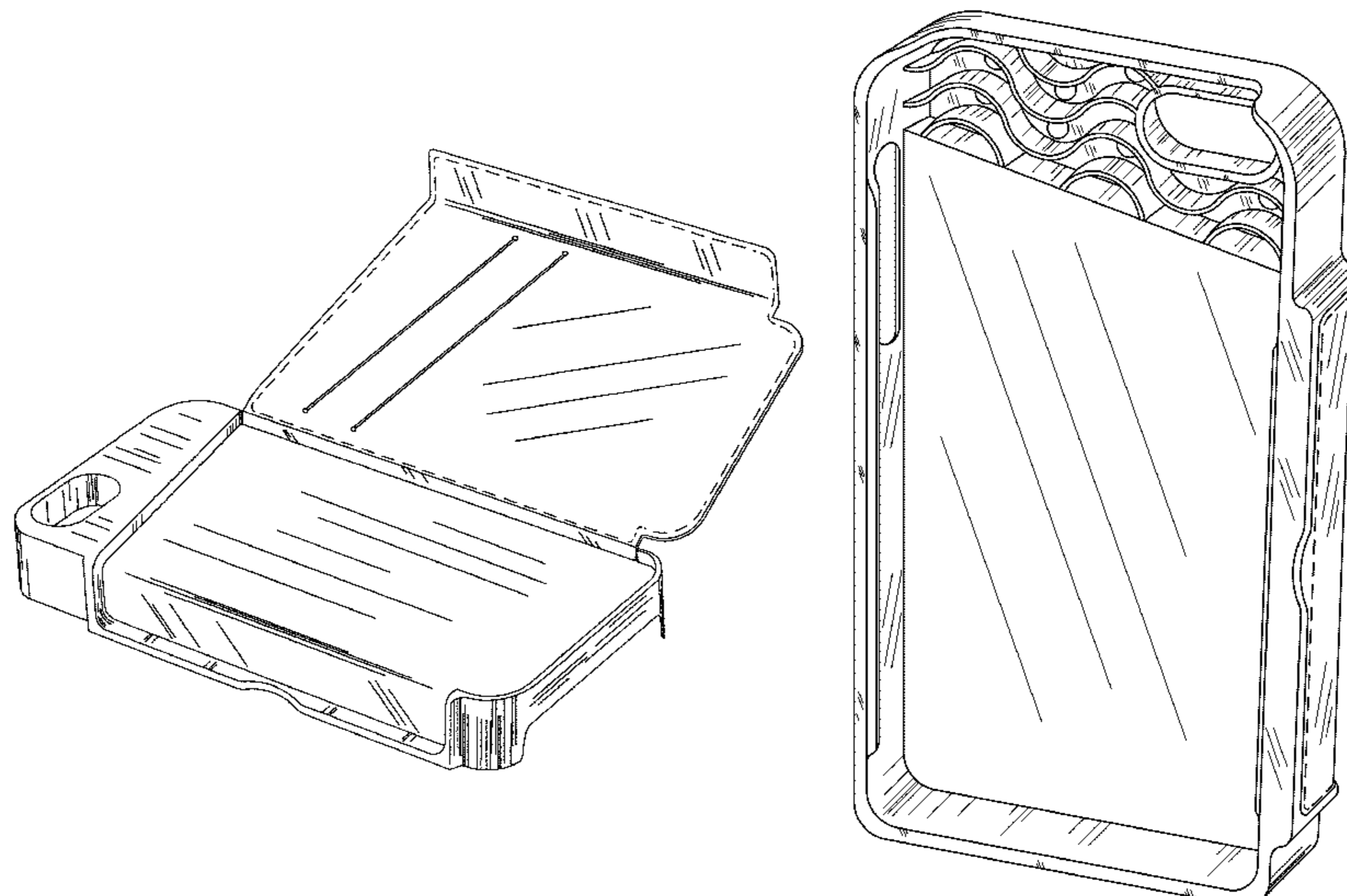
(57) **CLAIM**

I claim the ornamental design for a wallet portable electronic device case, as shown and described.

**DESCRIPTION**

FIG. 1 is a back perspective view of a wallet portable electronic device case showing my new design; FIG. 2 is another back perspective view thereof; FIG. 3 is a back perspective view with the back flap in an open position thereof; FIG. 4 is a front plan view thereof; and, FIG. 5 is a front perspective view thereof. The dashed broken lines indicate stitching, which forms part of the claimed design.

**1 Claim, 5 Drawing Sheets**





(56)

References Cited

U.S. PATENT DOCUMENTS

5,607,054 A	3/1997	Hollingsworth	8,312,991 B2	11/2012	Diebel et al.
5,622,262 A	4/1997	Sadow	D672,353 S	12/2012	Liu
5,769,221 A	6/1998	Cyr	8,328,008 B2	12/2012	Diebel et al.
5,775,496 A	7/1998	Cyr	D674,798 S	1/2013	Kim et al.
5,797,044 A	8/1998	Lawther et al.	D674,799 S	1/2013	Kim
5,887,723 A	3/1999	Myles	D674,800 S	1/2013	Kim
D414,033 S *	9/1999	Rohm ..... D3/249	D675,625 S	2/2013	Hasbrook et al.
5,971,148 A	10/1999	Jackson	8,383,216 B1	2/2013	Hynecek
6,082,543 A	7/2000	Béliveau	D678,871 S *	3/2013	Mishan et al. .... D14/250
6,131,734 A	10/2000	Hollingsworth et al.	8,393,464 B2	3/2013	Yang et al.
6,173,933 B1	1/2001	Whiteside et al.	8,395,465 B2	3/2013	Lauder et al.
6,237,766 B1	5/2001	Hollingsworth	D681,620 S *	5/2013	Huskinson ..... D14/250
6,334,533 B1	1/2002	Hollingsworth et al.	8,459,453 B2	6/2013	Parker et al.
6,334,534 B1	1/2002	Hollingsworth et al.	8,467,183 B2	6/2013	Probst et al.
6,535,199 B1	3/2003	Canova, Jr. et al.	D688,655 S *	8/2013	Rey-Hipolito et al. .... D14/250
D476,149 S	6/2003	Andre et al.	8,504,127 B2 *	8/2013	Altschul et al. .... 455/575.8
6,746,638 B1	6/2004	Zadesky et al.	D689,852 S *	9/2013	Azoulay ..... D14/250
6,772,879 B1	8/2004	Domotor	8,542,480 B2	9/2013	Williams et al.
6,785,566 B1	8/2004	Irizarry	8,544,639 B2	10/2013	Yang et al.
D500,923 S	1/2005	Gonzalez et al.	8,573,394 B2	11/2013	Ahee et al.
D527,176 S	8/2006	Andre et al.	8,584,847 B2	11/2013	Tages et al.
D529,717 S	10/2006	Brancky	D696,253 S	12/2013	Akana et al.
D533,348 S	12/2006	Andre et al.	D700,599 S *	3/2014	Kim ..... D14/250
7,207,154 B2	4/2007	Araujo	2001/0014010 A1	8/2001	Jenks et al.
D541,646 S	5/2007	Hayes et al.	2001/0035444 A1 *	11/2001	Alis ..... 224/250
D543,023 S	5/2007	Han et al.	2001/0052710 A1	12/2001	Witherell
7,281,698 B2	10/2007	Patterson, Jr.	2003/0186729 A1	10/2003	Engstrom et al.
7,347,325 B2 *	3/2008	O'Neill et al. .... 206/449	2004/0018863 A1	1/2004	Engstrom et al.
D567,500 S *	4/2008	Kwak et al. .... D3/218	2004/0240164 A1	12/2004	Lee
D574,375 S	8/2008	Prest et al.	2005/0057893 A1	3/2005	Homer et al.
D574,819 S	8/2008	Andre et al.	2005/0237701 A1	10/2005	Yu
7,414,833 B2	8/2008	Kittayapong	2007/0001079 A1	1/2007	Patterson, Jr.
7,451,872 B1	11/2008	Allen	2007/0056865 A1	3/2007	Pelo
D582,405 S	12/2008	Andre et al.	2007/0057140 A1	3/2007	Liou et al.
7,467,695 B2	12/2008	Gormick et al.	2007/0166028 A1	7/2007	Kranz et al.
7,495,895 B2	2/2009	Carnevali	2007/0279855 A1	12/2007	Linsmeier et al.
7,500,561 B2	3/2009	Matias et al.	2008/0043411 A1	2/2008	Chih et al.
7,503,440 B2	3/2009	Gormick et al.	2008/0055835 A1	3/2008	Kumano et al.
D594,451 S	6/2009	Seo	2008/0226286 A1	9/2008	Huang
D598,438 S	8/2009	Seo	2008/0237432 A1	10/2008	Patterson
D616,879 S	6/2010	Kim et al.	2009/0109558 A1	4/2009	Schaefer
7,735,644 B2	6/2010	Sirichai et al.	2009/0127423 A1	5/2009	Chen et al.
7,747,007 B2	6/2010	Hyun et al.	2009/0178938 A1	7/2009	Palmer
D619,356 S *	7/2010	Hillman ..... D3/218	2009/0223765 A1	9/2009	Bosma
D623,404 S	9/2010	Andre et al.	2009/0223845 A1	9/2009	Bosma et al.
D623,638 S	9/2010	Richardson et al.	2009/0230006 A1	9/2009	Pidgley et al.
D623,639 S	9/2010	Richardson et al.	2010/0072334 A1	3/2010	Le Gette et al.
D624,064 S *	9/2010	Esposito ..... D14/250	2010/0082445 A1	4/2010	Hodge et al.
D624,304 S *	9/2010	Danze et al. .... D3/201	2010/0096284 A1	4/2010	Bau
D628,374 S	12/2010	Lee et al.	2010/0116710 A1	5/2010	Huang et al.
7,876,550 B1	1/2011	Albertini et al.	2010/0203931 A1	8/2010	Hynecek et al.
D641,348 S	7/2011	Kim et al.	2010/0225429 A1	9/2010	Tsai
8,016,107 B2	9/2011	Emsky	2010/0258602 A1	10/2010	Amin
D646,266 S	10/2011	Kim et al.	2011/0034221 A1	2/2011	Hung et al.
D648,332 S	11/2011	Kim et al.	2011/0073608 A1	3/2011	Richardson et al.
8,051,980 B2	11/2011	Tai et al.	2011/0090626 A1	4/2011	Hoellwarth et al.
D652,829 S	1/2012	Kim et al.	2011/0147398 A1	6/2011	Ahee et al.
D654,069 S	2/2012	Kwon et al.	2011/0192510 A1	8/2011	Bau
D654,914 S *	2/2012	Martin ..... D14/250	2011/0221319 A1	9/2011	Law et al.
8,132,670 B1	3/2012	Chen	2011/0284420 A1	11/2011	Sajid
D657,354 S	4/2012	Kim	2011/0290687 A1	12/2011	Han
D658,363 S	5/2012	Biddle	2011/0297566 A1	12/2011	Gallagher et al.
D659,691 S	5/2012	Kim et al.	2011/0297581 A1	12/2011	Angel
8,167,126 B2	5/2012	Stiehl	2011/0315579 A1	12/2011	Mase
8,173,893 B2	5/2012	Huang	2012/0012483 A1	1/2012	Fan
8,201,687 B2	6/2012	Zeliff et al.	2012/0074005 A1	3/2012	Johnson et al.
8,204,561 B2	6/2012	Mongan et al.	2012/0112031 A1	5/2012	Gormick et al.
8,230,992 B2	7/2012	Law et al.	2012/0176741 A1	7/2012	Wu et al.
8,235,208 B2	8/2012	Sirichai et al.	2012/0217174 A1	8/2012	Ting
8,245,842 B2	8/2012	Bau	2012/0298394 A1	11/2012	Huang
8,253,518 B2	8/2012	Lauder et al.	2013/0016467 A1	1/2013	Ku
8,267,251 B2	9/2012	Mongan et al.	2013/0045782 A1	2/2013	Simmer
D669,480 S *	10/2012	Piedra et al. .... D14/440	2013/0048413 A1	2/2013	Patzer
8,281,924 B2	10/2012	Westrup	2013/0063873 A1	3/2013	Wodrich et al.
8,281,950 B2	10/2012	Potts et al.	2013/0085679 A1	4/2013	Budiman
			2013/0163980 A1	6/2013	Lazaridis et al.
			2013/0170686 A1	7/2013	Lester, Jr.
			2013/0213838 A1	8/2013	Tsai et al.
			2013/0214661 A1	8/2013	McBroom

(56)

**References Cited**

U.S. PATENT DOCUMENTS

2013/0241381 A1 9/2013 Hyneczek et al.  
 2013/0264459 A1 10/2013 McCosh et al.  
 2013/0271922 A1 10/2013 Wilson et al.  
 2013/0322660 A1 12/2013 Weiss

FOREIGN PATENT DOCUMENTS

CA 2 827 491 A1 9/2012  
 EP 1 548 544 A2 6/2005  
 EP 2 392 986 A2 12/2011  
 EP 2 426 571 A2 3/2012  
 EP 2 564 722 A1 3/2013  
 EP 2 638 823 A1 9/2013  
 EP 2 337 373 B1 12/2013  
 GB 2495330 A 4/2013  
 GB 2496109 A 5/2013  
 JP H073344 U 1/1995  
 JP 09135722 A 5/1997  
 JP 2000014426 A 1/2000  
 JP 2004509680 A 4/2004  
 KR 10-2013-0081622 11/2013  
 WO WO 01/90848 A2 11/2001  
 WO WO 2010/036090 A2 4/2010  
 WO WO 2011/115918 A1 9/2011  
 WO WO 2011/130157 A2 10/2011  
 WO WO 2012/112790 A2 8/2012

WO WO 2013/058938 A1 4/2013  
 WO WO 2013/096633 A1 6/2013  
 WO WO 2013/103928 A1 7/2013  
 WO WO 2013/126216 A1 8/2013  
 WO WO 2013/128675 A1 9/2013  
 WO WO 2013/188319 A1 12/2013

OTHER PUBLICATIONS

Office Action for U.S. Appl. No. 13/739,846, filed Jan. 11, 2013, mailed Feb. 27, 2014, 19 pgs.  
 Office Action for U.S. Appl. No. 12/370,824, filed Feb. 13, 2009, and mailed Jan. 4, 2013, 19 pgs.  
 Office Action for U.S. Appl. No. 13/171,225, filed Jun. 28, 2011, and mailed from the USPTO on Apr. 16, 2013, 24 pgs.  
 Office Action for U.S. Appl. No. 13/285,565, filed Oct. 31, 2011, and mailed from the USPTO on May 9, 2013, 11 pgs.  
 Office Action for U.S. Appl. No. 13/791,445, filed Mar. 8, 2013, and mailed from the USPTO on Jun. 21, 2013, 20 pgs.  
 Office Action for U.S. Appl. No. 12/370,824, filed Feb. 13, 2009, and mailed from the USPTO on May 20, 2013, 22 pgs.  
 Office Action for U.S. Appl. No. 13/747,992, filed Jan. 23, 2013, and mailed from the USPTO on Oct. 23, 2013, 21 pgs.  
 Final Office Action for U.S. Appl. No. 13/791,445, filed Mar. 8, 2013, and mailed from the USPTO on Oct. 23, 2013, 21 pgs.  
 Final Office Action for U.S. Appl. No. 13/171,225, filed Jun. 28, 2011, and mailed from the USPTO on Dec. 4, 2013, 17 pgs.

\* cited by examiner



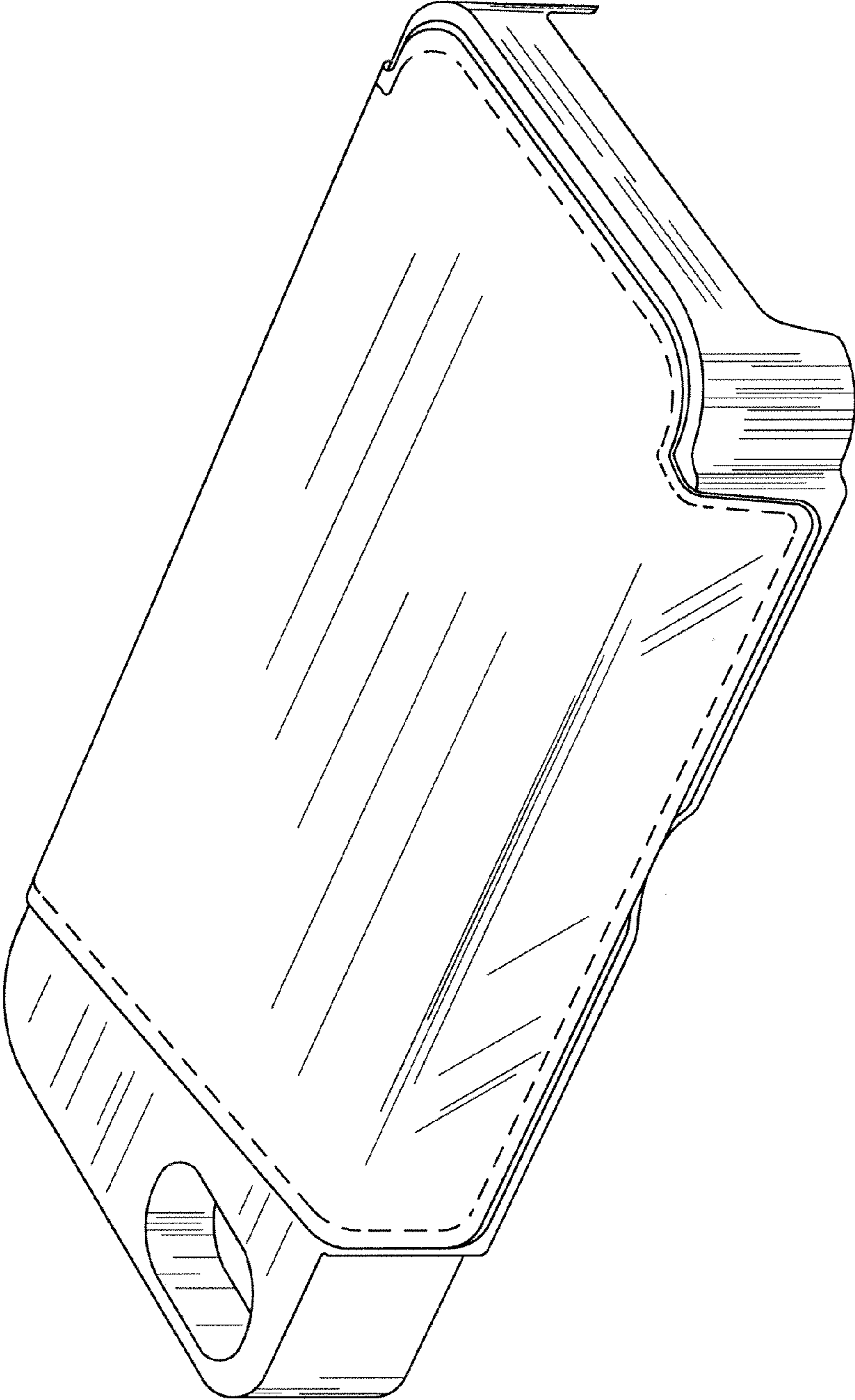


FIG. 1

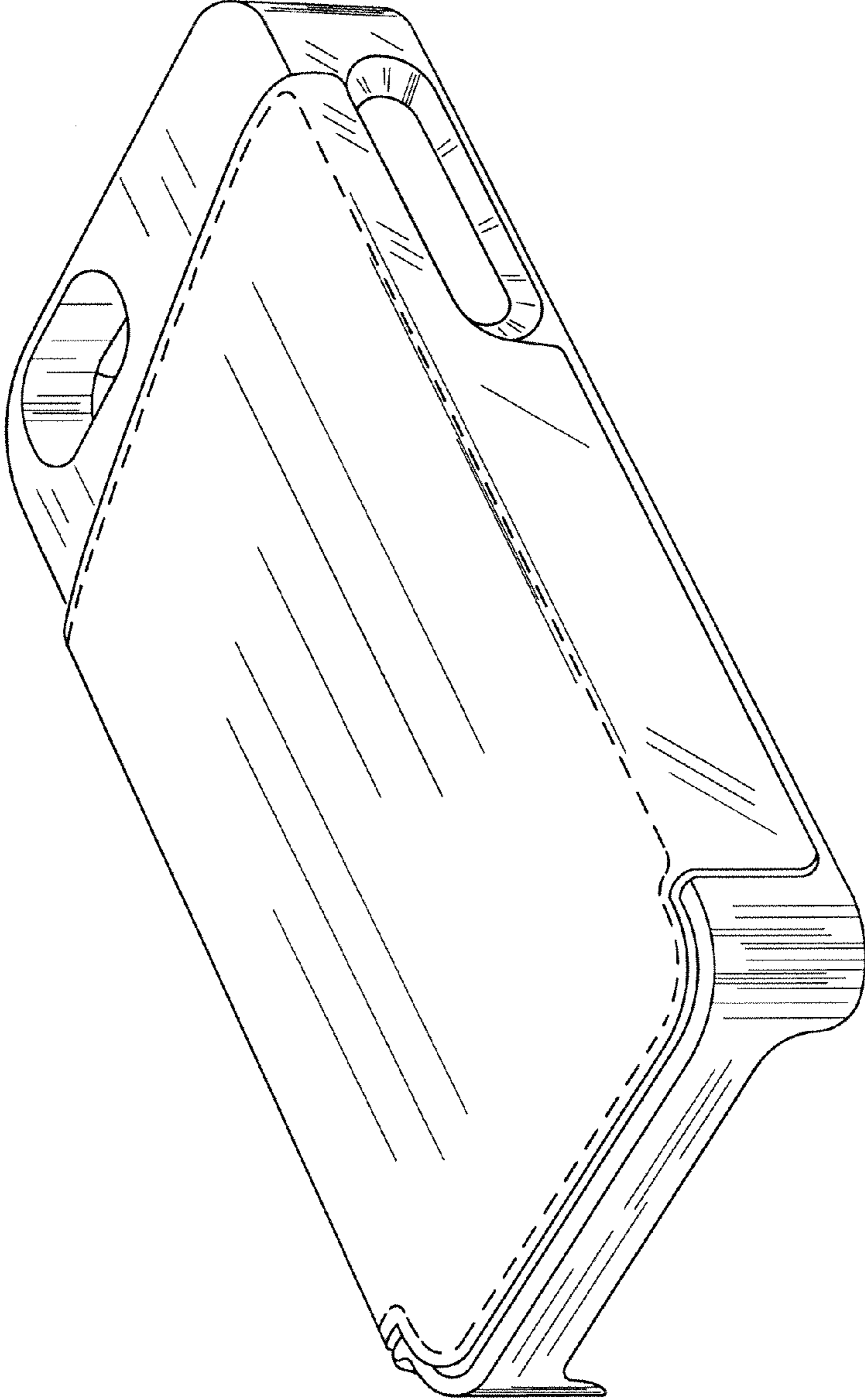


FIG. 2

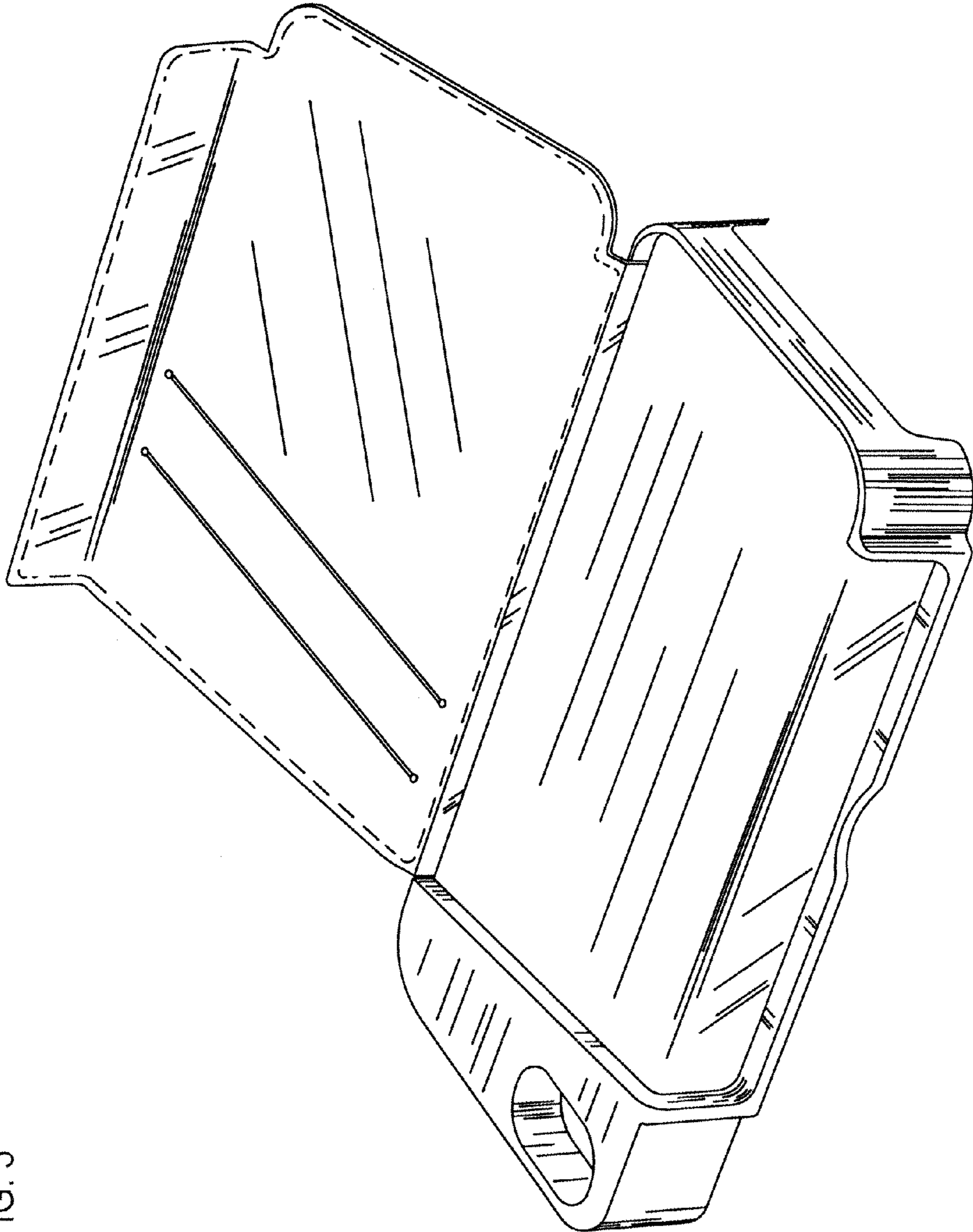


FIG. 3

FIG. 4

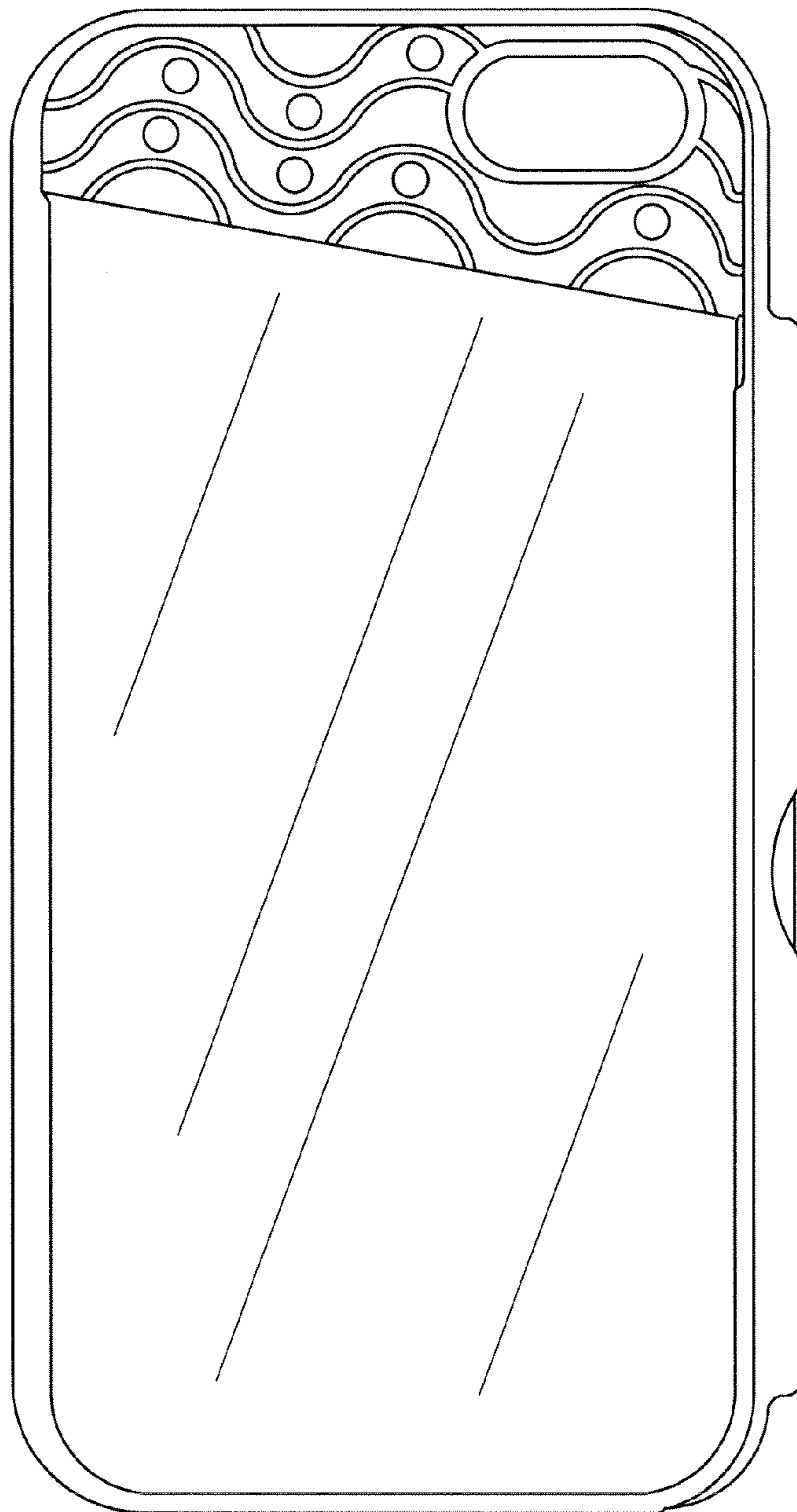


FIG. 5

