



US00D705762S

(12) **United States Design Patent**  
**Yu**

(10) **Patent No.:** **US D705,762 S**  
(45) **Date of Patent:** **\*\* May 27, 2014**

(54) **COMMUNICATION DEVICE HAVING  
MULTI-MODULE ASSEMBLY**

(71) Applicant: **SerComm Corporation**, Taipei (TW)

(72) Inventor: **Yi-Fei Yu**, New Taipei (TW)

(73) Assignee: **Sercomm Corporation**, Taipei (TW)

(\*\*) Term: **14 Years**

(21) Appl. No.: **29/440,635**

(22) Filed: **Dec. 24, 2012**

(30) **Foreign Application Priority Data**

Jul. 4, 2012 (TW) ..... 101303897

(51) **LOC (10) Cl.** ..... **14-03**

(52) **U.S. Cl.**  
USPC ..... **D14/240**

(58) **Field of Classification Search**  
USPC ..... D14/242, 240, 435.1, 357, 358,  
D14/140-140.9, 155, 137, 139, 243, 348,  
D14/349, 351, 354, 355, 138 AD; 375/222;  
455/557; 725/111  
See application file for complete search history.

(56) **References Cited**

**U.S. PATENT DOCUMENTS**

D281,315 S \* 11/1985 Kjeld ..... D13/184  
5,864,467 A \* 1/1999 Recchia et al. .... 361/732  
D424,066 S \* 5/2000 Wheatley et al. .... D14/240  
D425,492 S \* 5/2000 Johnston et al. .... D14/140.4  
D425,517 S \* 5/2000 Wheatley et al. .... D14/240  
D456,403 S \* 4/2002 Witte ..... D14/355

D464,647 S \* 10/2002 Goto ..... D14/348  
D510,344 S \* 10/2005 Hsieh ..... D14/240  
D530,315 S \* 10/2006 Liu ..... D14/240  
D531,589 S \* 11/2006 Hsu ..... D13/184  
D541,792 S \* 5/2007 Liu et al. .... D14/240  
D615,968 S \* 5/2010 Herbst et al. .... D14/300  
2014/0009894 A1 \* 1/2014 Yu ..... 361/735

\* cited by examiner

*Primary Examiner* — Bridget L Eland

(74) *Attorney, Agent, or Firm* — McClure, Qualey & Rodack, LLP

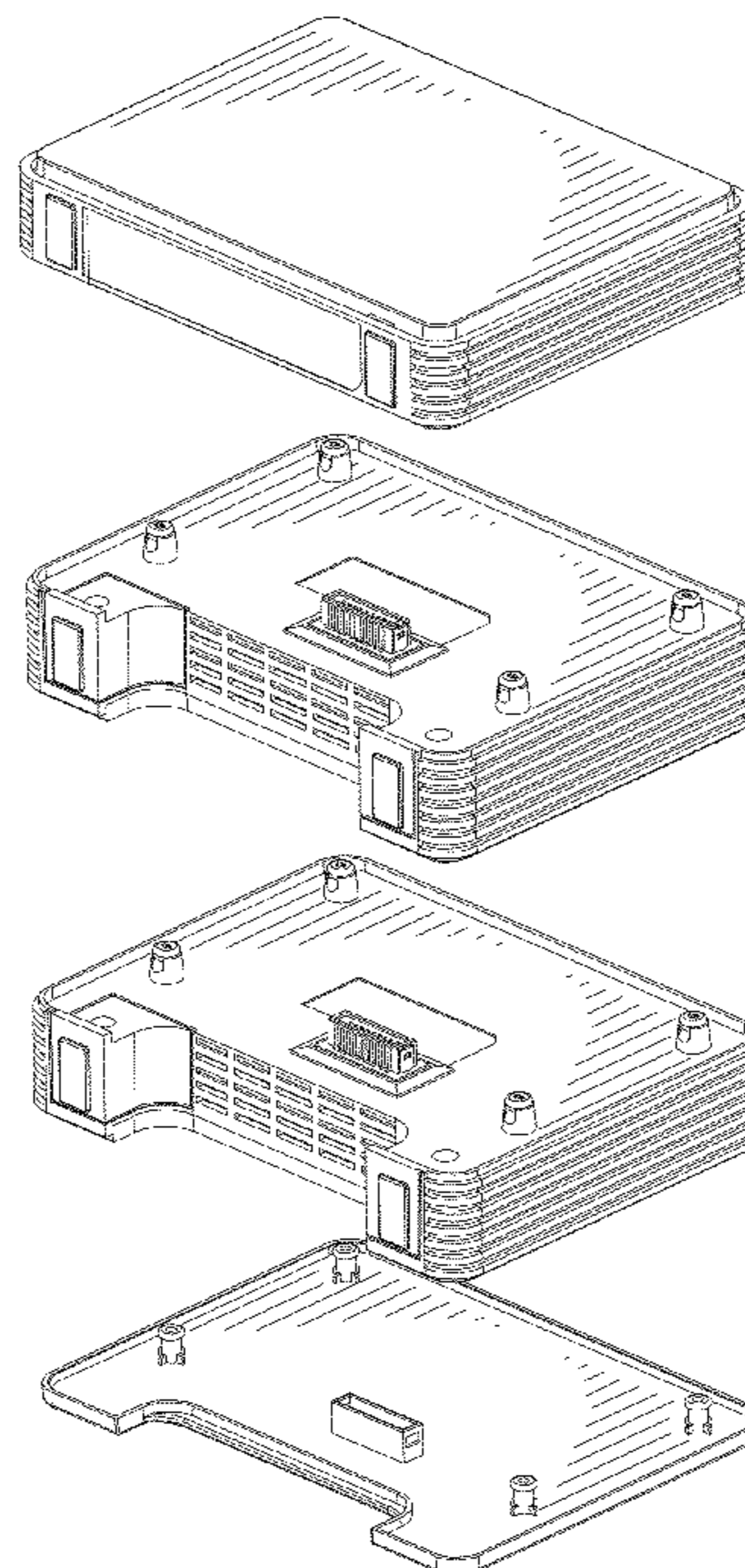
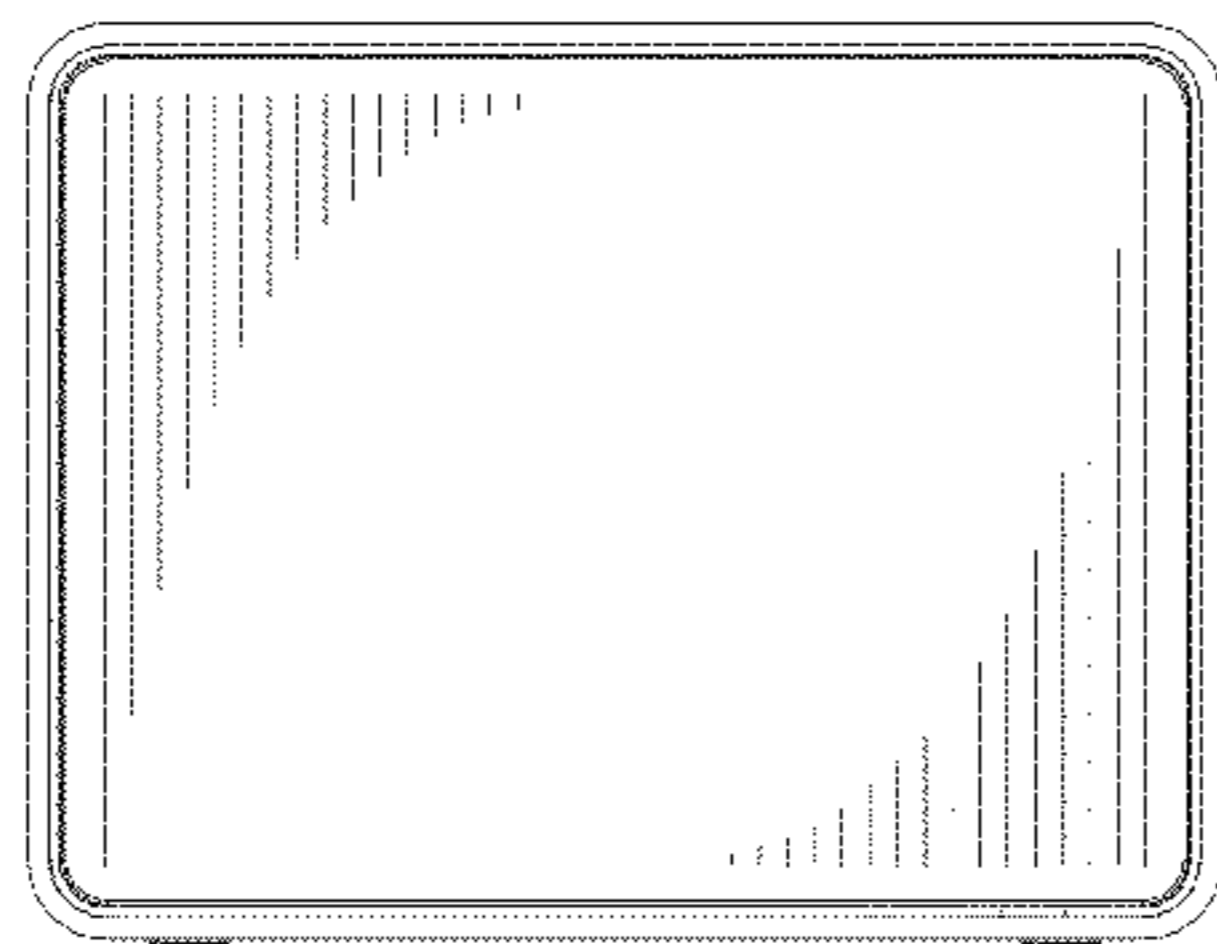
(57) **CLAIM**

The ornamental design for a communication device having multi-module assembly, as shown and described.

**DESCRIPTION**

FIG. 1 is a front, top and right side perspective view of a communication device having multi-module assembly showing my new design;  
FIG. 2 is a front elevational view thereof;  
FIG. 3 is a left side elevational view thereof;  
FIG. 4 is a right side elevational view thereof;  
FIG. 5 is a top plan view thereof;  
FIG. 6 is a bottom plan view thereof;  
FIG. 7 is a rear elevational view thereof;  
FIG. 8 is a rear, top and left side perspective view thereof, shown in an environment with two cables embedded into the rear slot; and,  
FIG. 9 is a front, bottom and right side exploded perspective view thereof in order to show the association of elements of the detachable multi-modules.  
The cables in the FIG. 8 view are shown in broken lines and are directed to environment and form no part of the claimed design.

**1 Claim, 6 Drawing Sheets**



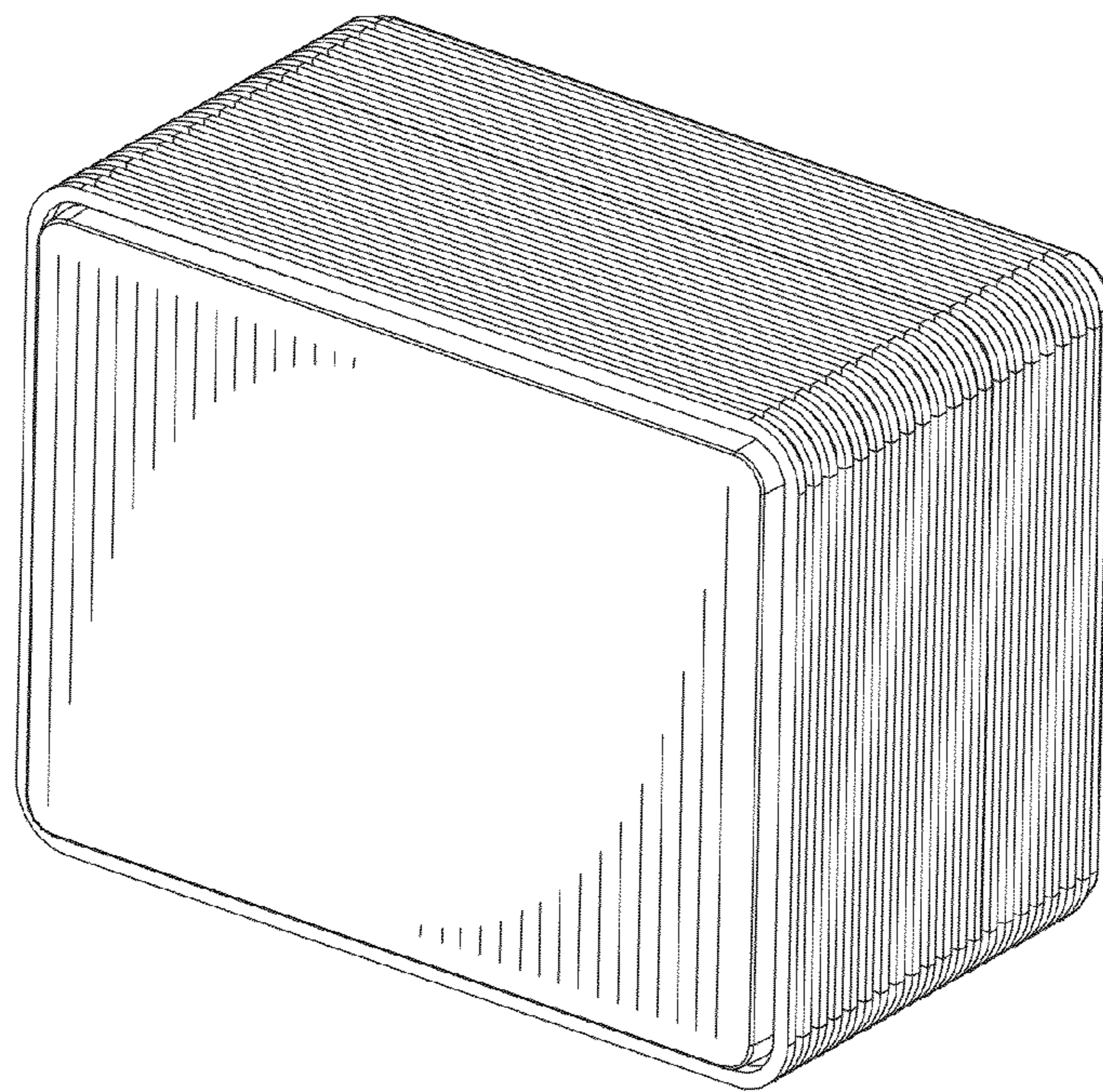


FIG. 1

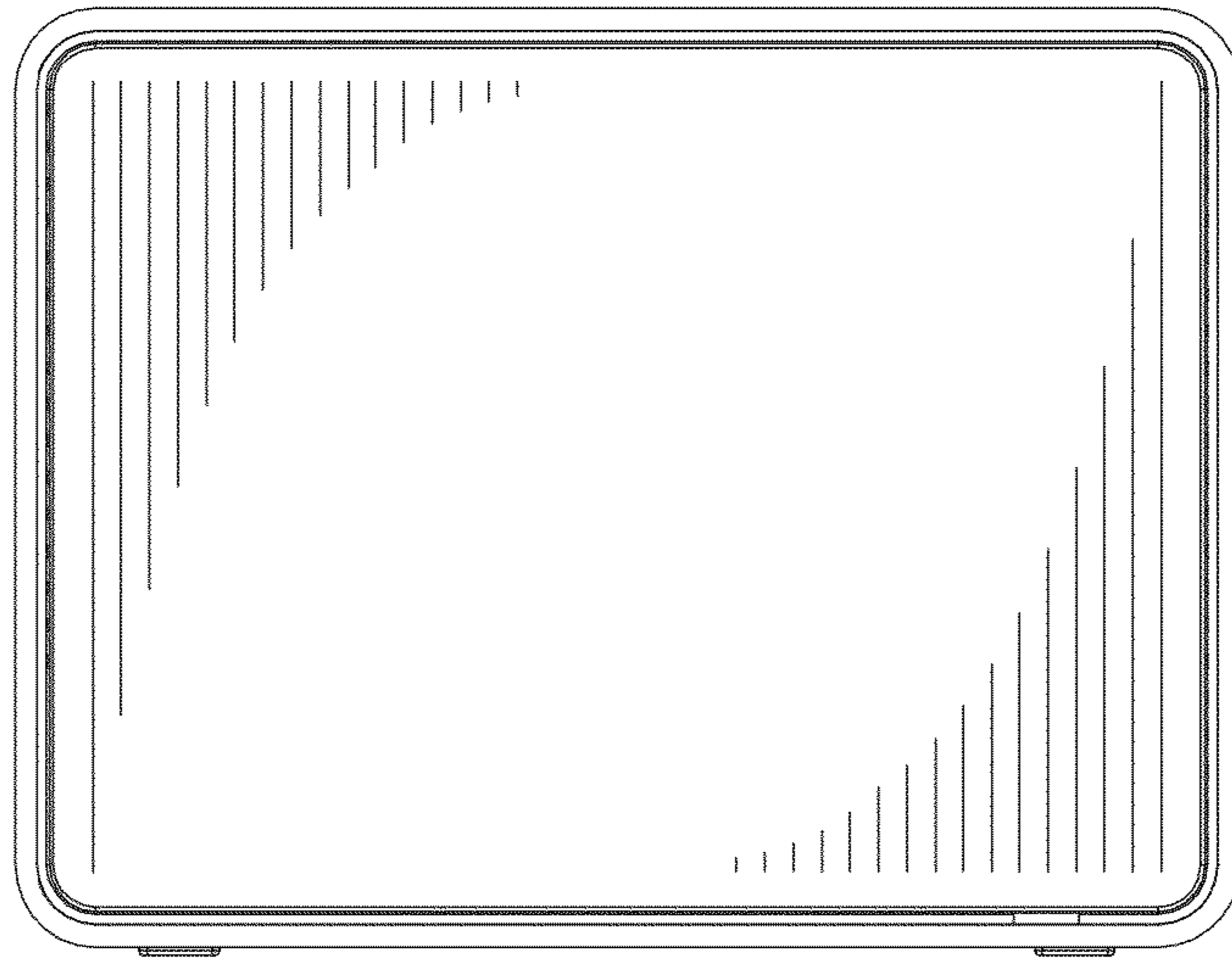


FIG. 2

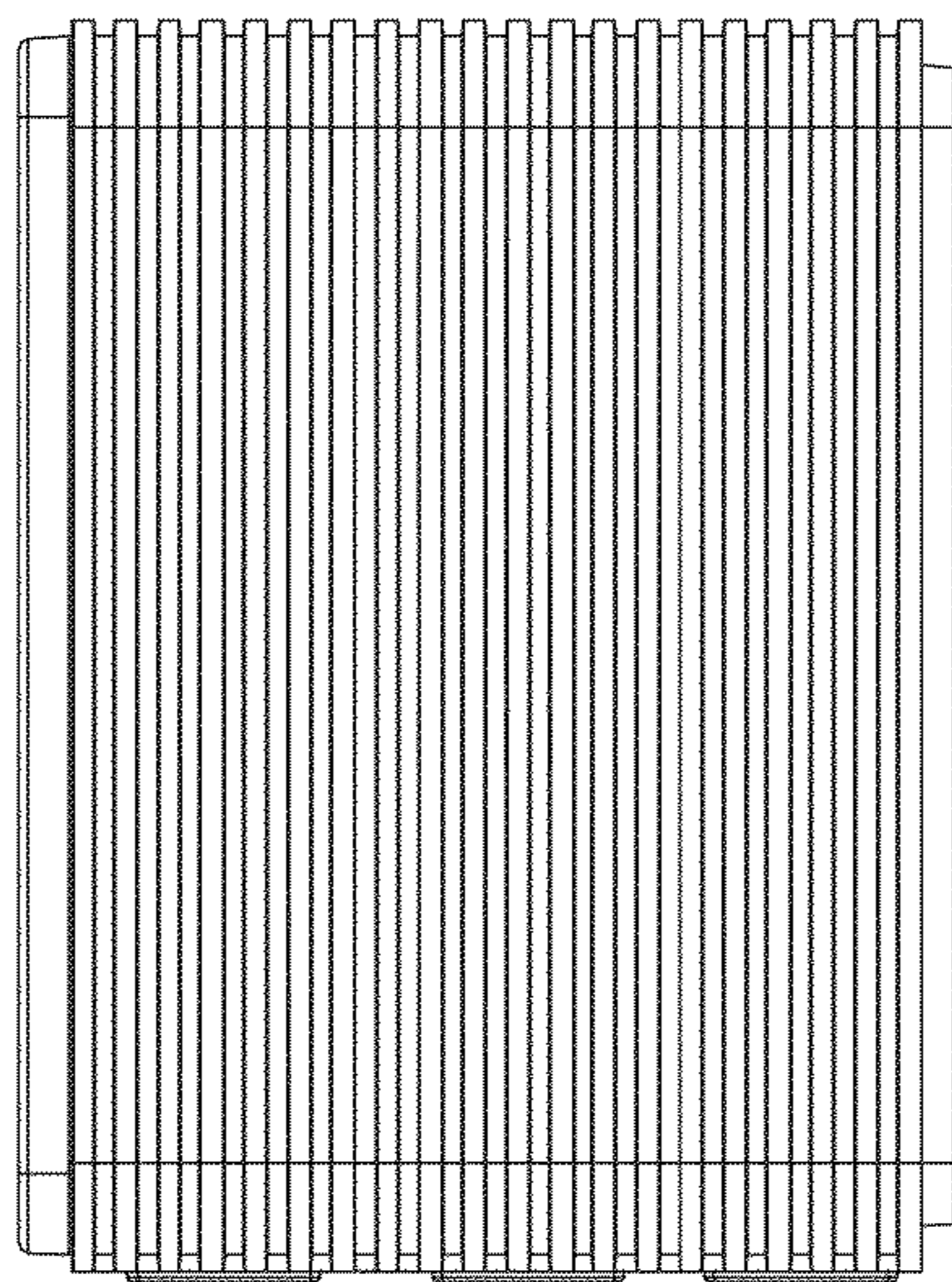


FIG. 3

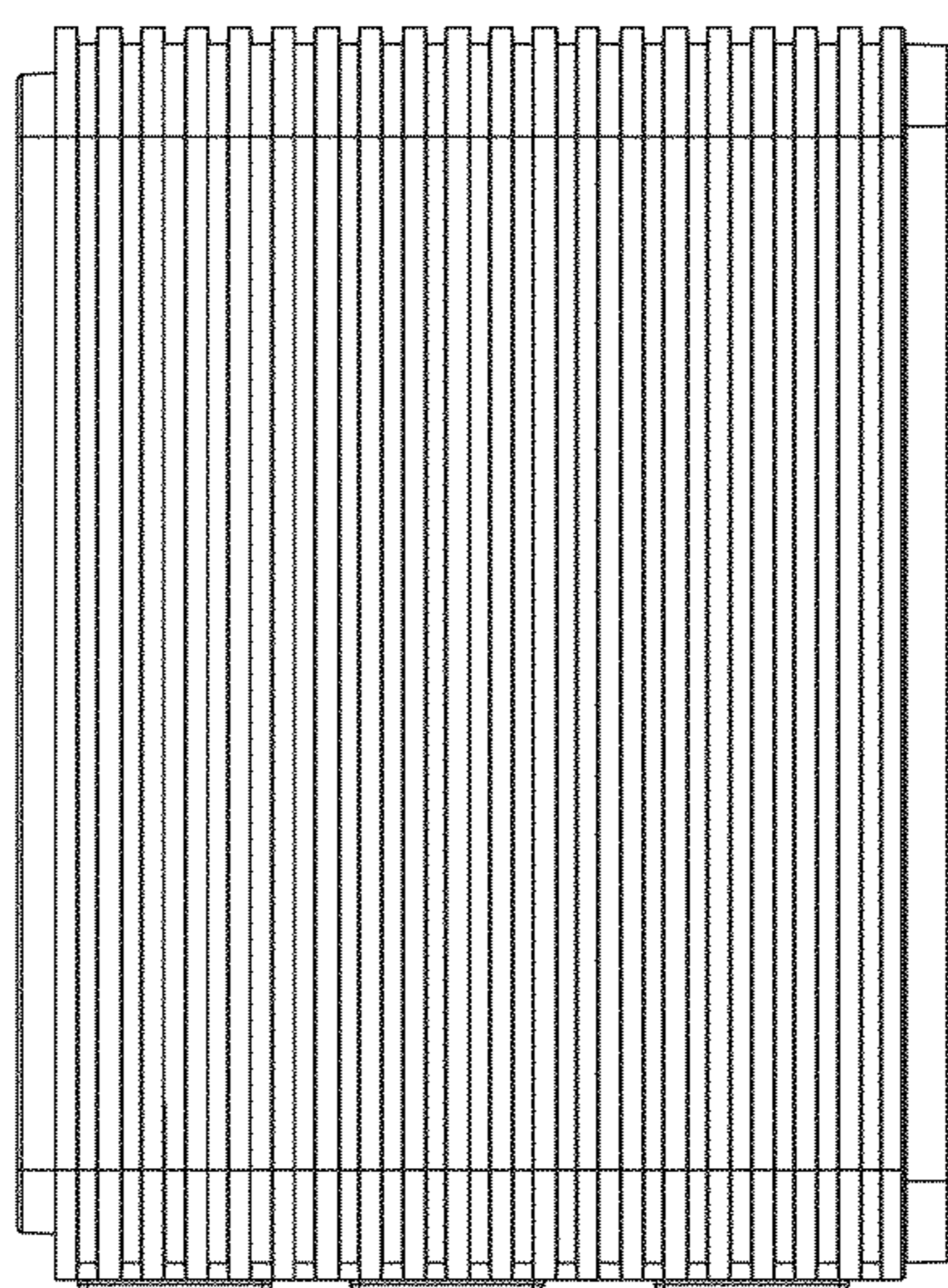


FIG. 4



FIG. 5

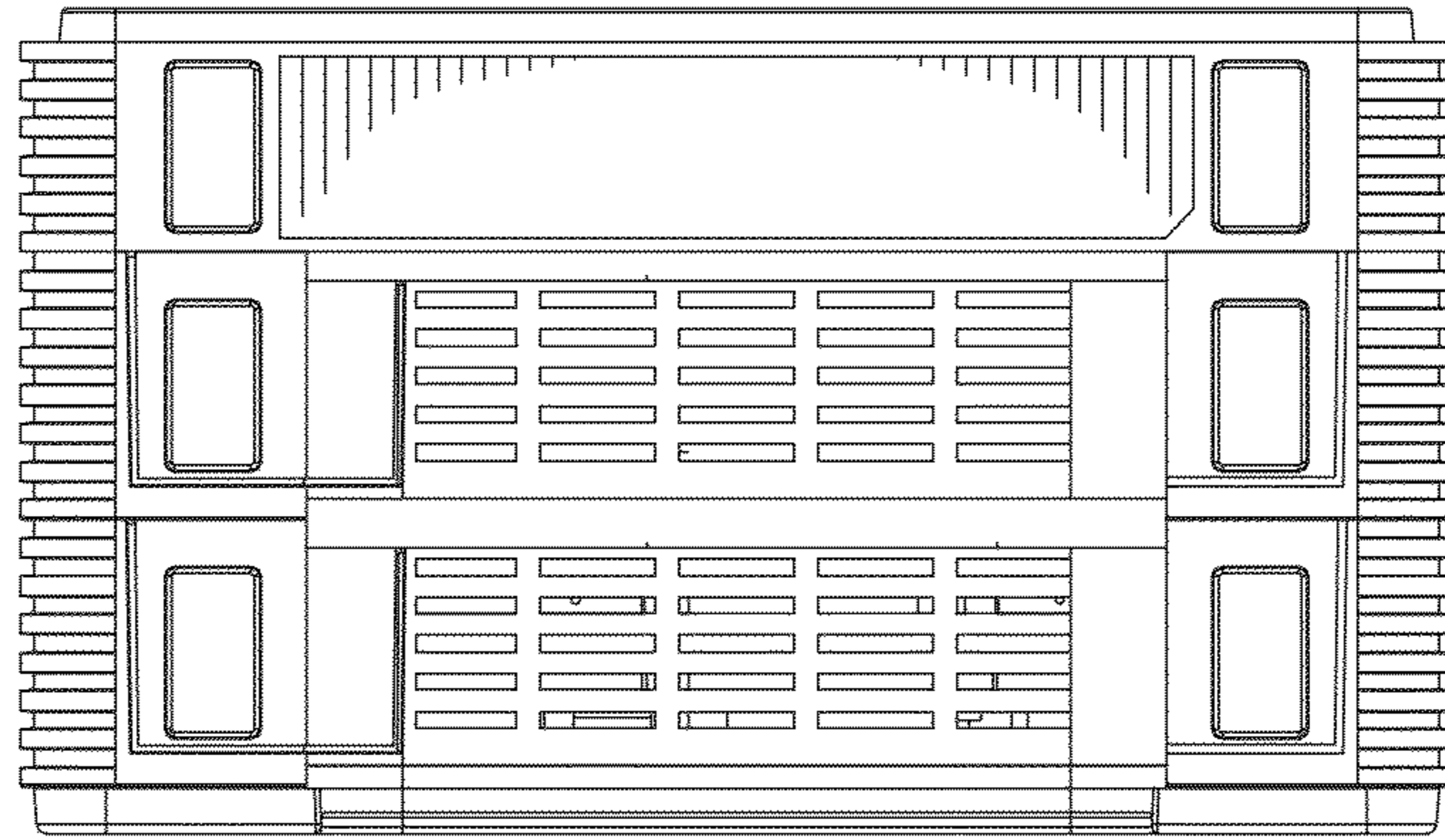


FIG. 6

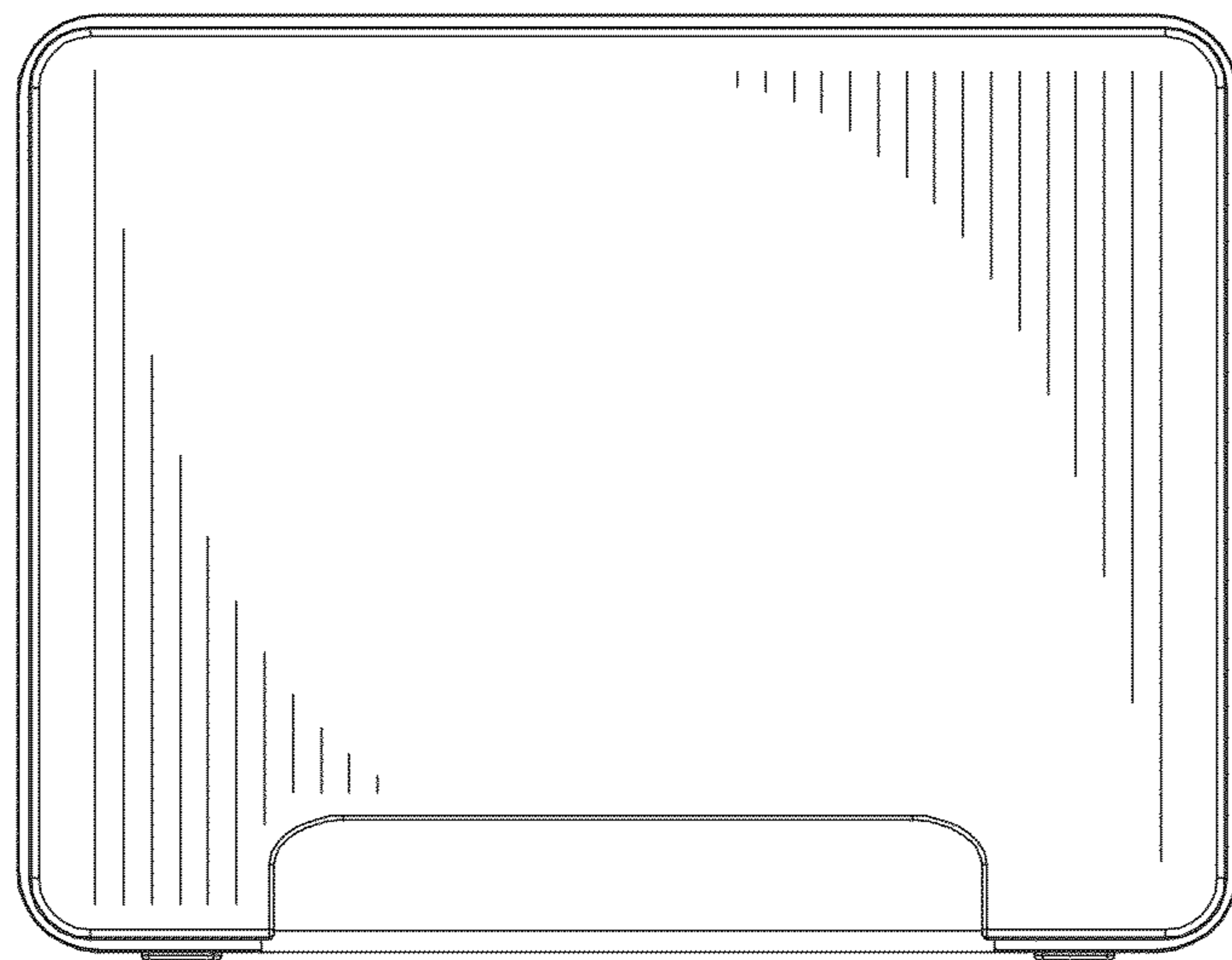


FIG. 7

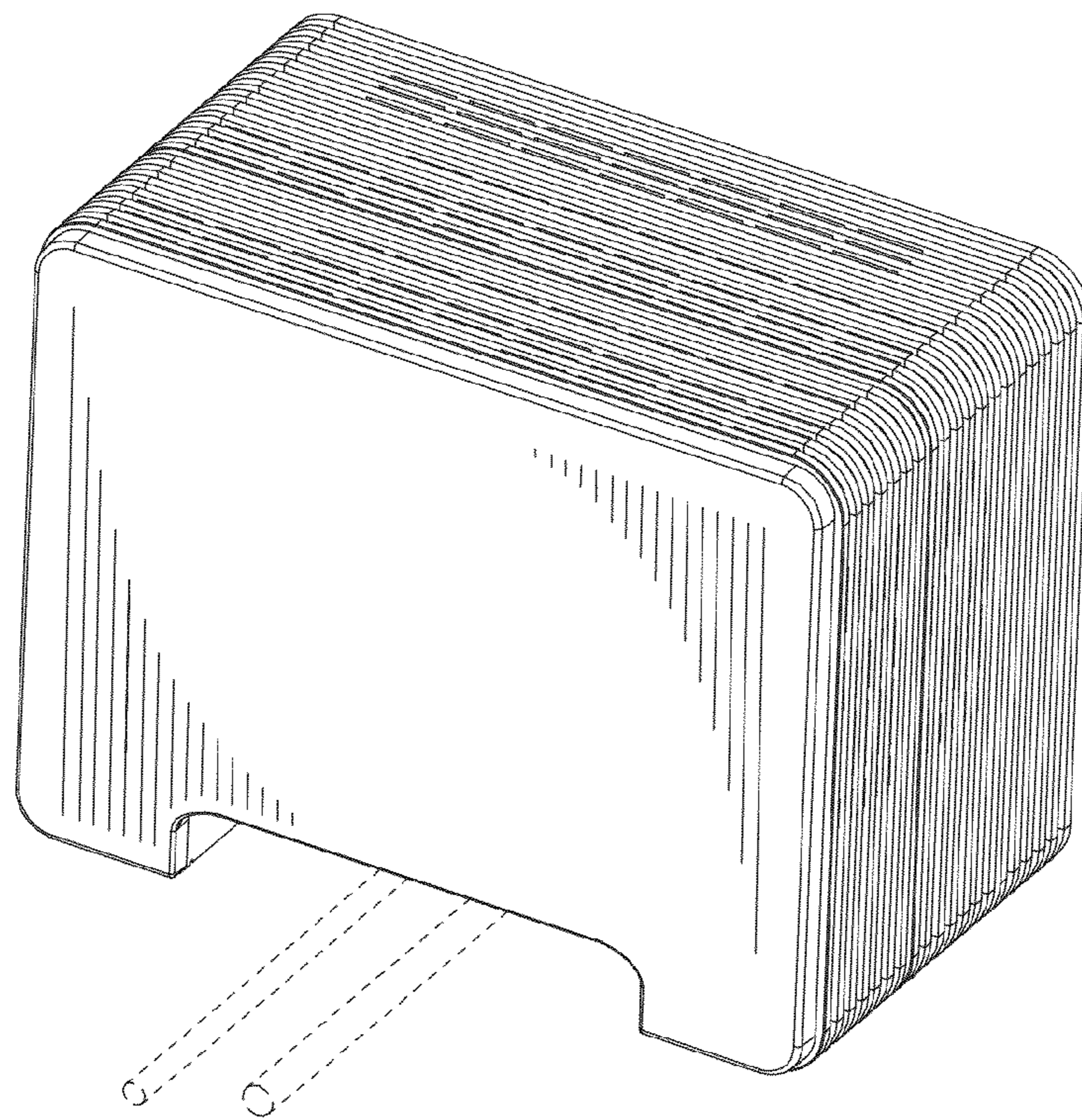


FIG. 8

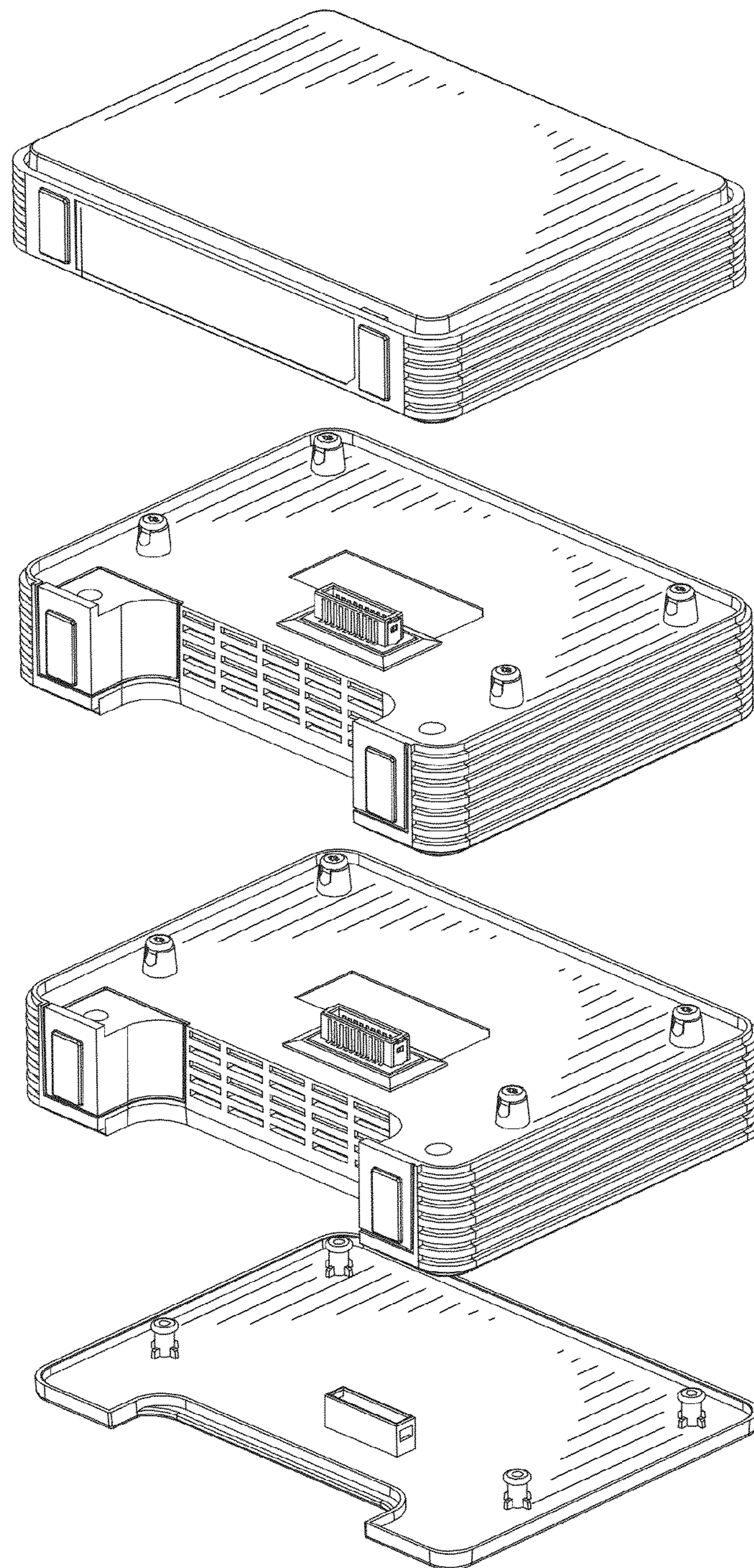


FIG. 9