



US00D705761S

(12) **United States Design Patent**
McGovern, Jr. et al.

(10) **Patent No.:** **US D705,761 S**

(45) **Date of Patent:** **** May 27, 2014**

(54) **SHOCK MOUNT FOR MICROPHONE**

2007/0195983 A1* 8/2007 Klemme 381/362
2009/0016558 A1 1/2009 Woolf
2010/0239113 A1* 9/2010 Browne 381/361

(75) Inventors: **Albert F. McGovern, Jr.**, Naperville, IL (US); **John Miller**, Grayslake, IL (US); **Daniel G. Pratt**, Chicago, IL (US)

FOREIGN PATENT DOCUMENTS

(73) Assignee: **Shure Acquisition Holdings, Inc.**, Niles, IL (US)

DE 1823744 12/1960
DE 202005002447 6/2005
EP 423858 4/1991

(Continued)

(**) Term: **14 Years**

OTHER PUBLICATIONS

(21) Appl. No.: **29/418,413**

Unknown, "A27SM Elastic Suspension Shock Mount," Shure Online Store, retrieved on Apr. 16, 2012 from http://store.shure.com/store/shure/en_US/pd/productID.104211900.

(22) Filed: **Apr. 16, 2012**

(51) **LOC (10) Cl.** **14-01**

(Continued)

(52) **U.S. Cl.**

USPC **D14/229**

(58) **Field of Classification Search**

CPC F16M 13/02; G10D 9/00; G10H 3/00; H04R 1/00; H04R 1/08; H04R 1/083; H04R 1/086

USPC D14/224, 229; 248/610; 381/361, 368

See application file for complete search history.

Primary Examiner — Prabhakar Deshmukh

Assistant Examiner — Holly E Thurman

(74) *Attorney, Agent, or Firm* — Banner & Witcoff, Ltd.

(57) **CLAIM**

The ornamental design for a shock mount for microphone, as shown and described.

DESCRIPTION

(56) **References Cited**

U.S. PATENT DOCUMENTS

4,194,096 A 3/1980 Ramsey
4,396,807 A 8/1983 Brewer
D272,532 S * 2/1984 Fitzner et al. D14/229
4,453,045 A 6/1984 Bruna
D276,043 S * 10/1984 Fitzner et al. D14/229
4,546,950 A 10/1985 Cech
5,455,869 A 10/1995 Miscavige
5,574,236 A 11/1996 Webber
D399,166 S * 10/1998 Wright D11/130.1
6,459,802 B1 10/2002 Young
D475,995 S * 6/2003 Hsieh D14/229
6,682,043 B1 1/2004 Hsieh
6,724,904 B1 4/2004 Winter
7,760,896 B2 7/2010 Medveczky
2006/0227991 A1 10/2006 Klemme

FIG. 1 is a top, front, right perspective view of a shock mount for microphone showing our new design;

FIG. 2 is a right side view thereof;

FIG. 3 is a front view thereof;

FIG. 4 is a left side view thereof;

FIG. 5 is a rear view thereof;

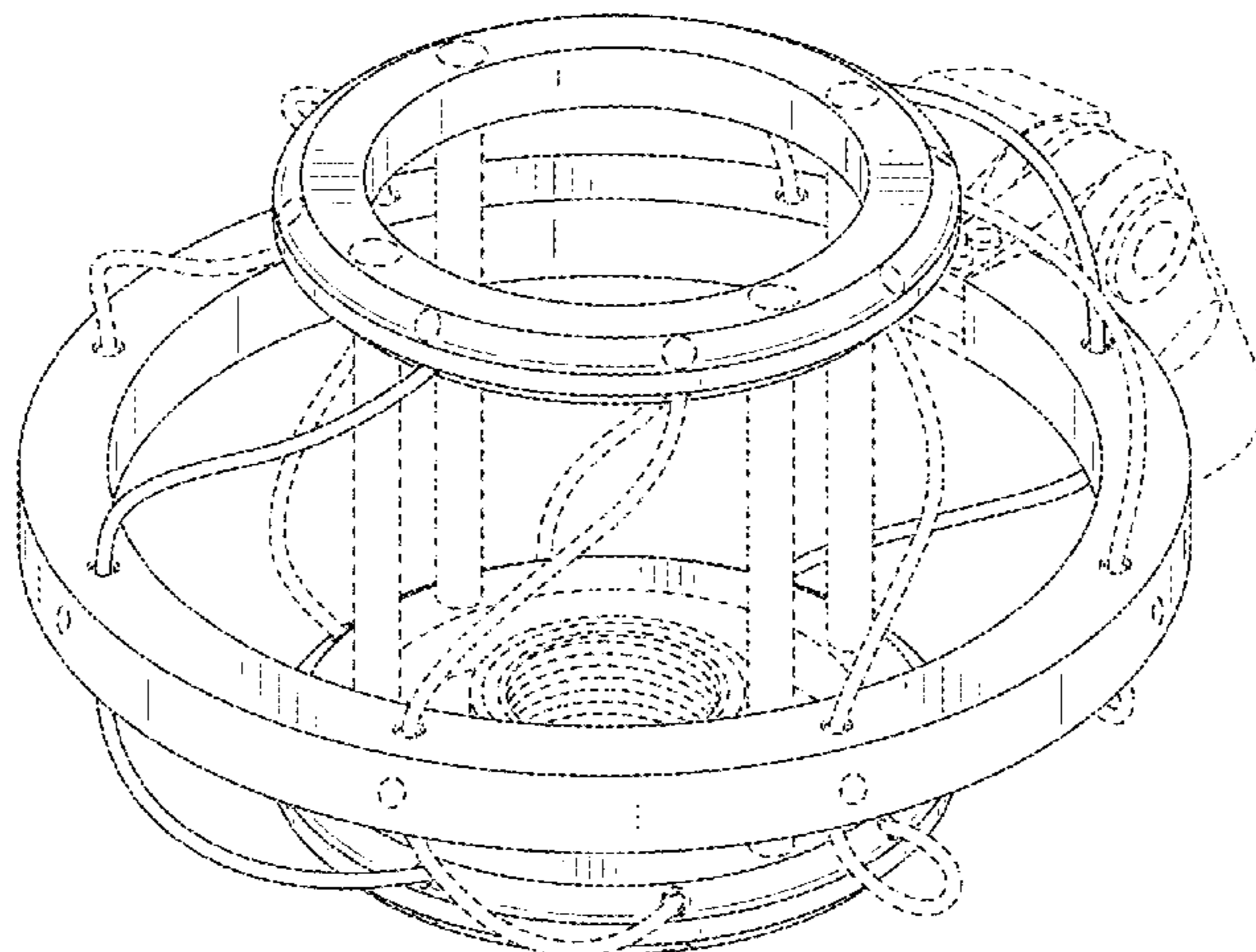
FIG. 6 is a top view thereof;

FIG. 7 is a bottom view thereof; and,

FIG. 8 is a bottom, front, left perspective view thereof.

The uneven-length broken lines represent unclaimed boundaries of the claimed design. The even-length broken lines showing the remainder of the shock mount for microphone are for environmental purposes only and form no part of the claimed design.

1 Claim, 6 Drawing Sheets



(56)

References Cited

FOREIGN PATENT DOCUMENTS

GB	2388787	11/2003
JP	56162597	12/1981
JP	2011220440 A *	11/2011
WO	9404009	2/1994
WO	2007051925	5/2007

OTHER PUBLICATIONS

Unknown, "A44ASM Elastic-Suspension Shock Mount," Shure Distribution UK, retrieved on Apr. 16, 2012 from <http://www.shure.co.uk/products/accessories/a44asm>.

Unknown, "Metal and Mesh Isolators, Cablemount Series," Barry Controls, retrieved on Apr. 16, 2012 from <http://www.barrycontrols.com/products/product.cfm?cid=8&fid=39>.

Unknown, "Wire Rope Isolators," The VMC Group, retrieved on Apr. 16, 2012 from <http://www.thvmcgroup.com/wirerope.html>.

Unknown, "Invision Video," Rycote, retrieved on Apr. 16, 2012 from http://www.rycote.com/products/invision_video/.

Unknown, "Custom Shockmount for the Yeti and Yeti Pro Microphones, The Radius," eBuyNow, retrieved on Apr. 16, 2012 from <https://bluemic.ebuynow.com/us/ebuynow/microphones-accessories/the-radius.html>.

Unknown, "SM2 Microphone Shock Mount," RODE Microphones, retrieved on Apr. 16, 2012 from <http://www.rodemic.com/accessories/sm2>.

Unknown, "PSM1 Microphone Shock Mount," RODE Microphones, retrieved on Apr. 16, 2012 from <http://www.rodemic.com/accessories/psm1>.

Unknown, "SM6 Shock Mount with Detachable Pop Filter," RODE Microphones, retrieved on Apr. 16, 2012 from <http://www.rodemic.com/accessories/sm6>.

Unknown, "SM3 Camera Shoe Shock Mount," RODE Microphones, retrieved on Apr. 16, 2012 from <http://www.rodemic.com/accessories/sm3>.

Unknown, SM4 Boompole/Mic Stand Shock Mount, RODE Microphones, retrieved on Apr. 16, 2012 from <http://www.rodemic.com/accessories/sm4>.

Unknown, SM5 Camera Ring-Clamp Shock Mount, RODE Microphones, retrieved on Apr. 16, 2012 from <http://www.rodemic.com/accessories/sm5>.

Unknown, "Elastic Suspension-EA 1 (mt)," Georg Neumann GmbH, retrieved on Apr. 16, 2012 from http://www.neumann.com/?lang=en&id=current_accessories&cid=db_current_accessories&dbid=6.

Unknown, "Elastic Suspension-EA 170 (mt)," Georg Neumann GmbH, retrieved on Apr. 16, 2012 from http://www.neumann.com/?lang=en&id=current_accessories&cid=db_current_accessories&dbid=16.

Unknown, "Elastic Suspension-EA 2 (mt)," Georg Neumann GmbH, retrieved on Apr. 16, 2012 from http://www.neumann.com/?lang=en&id=current_accessories&cid=db_current_accessories&dbid=147.

Unknown, "Elastic Suspension-EA 30A," Georg Neumann GmbH, retrieved on Apr. 16, 2012 from http://www.neumann.com/?lang=en&id=current_accessories&cid=db_current_accessories&dbid=7.

Unknown, "Elastic Suspension-EA 50," Georg Neumann GmbH, retrieved on Apr. 16, 2012 from http://www.neumann.com/?lang=en&id=current_accessories&cid=db_current_accessories&dbid=12.

Unknown, "Elastic Suspension-EA 87 (mt)," Georg Neumann GmbH, retrieved on Apr. 16, 2012 from http://www.neumann.com/?lang=en&id=current_accessories&cid=db_current_accessories&dbid=14.

Unknown, "Elastic Suspension-EA 89 (mt)," Georg Neumann GmbH, retrieved on Apr. 16, 2012 from http://www.neumann.com/?lang=en&id=current_accessories&cid=db_current_accessories&dbid=15.

Unknown, "Replacement IEC Power Cables," Studio Projects, retrieved on Apr. 16, 2012 from <http://www.studioprojectsusa.com/accessories.html>.

Unknown, "M600 Universal Microphone Mount," Enhanced Audio, retrieved on Apr. 16, 2012 from <http://www.enhancedaudio.ie/m600series.html>.

Unknown, "PG3a Pistol Grip," Reinhardt, retrieved on Apr. 16, 2012 from <http://www.reinhardt.tv/PG2.php>.

Unknown, "Cinela OSIX & MINIX Suspensions Overview," Cinela, retrieved on Apr. 16, 2012 from <http://www.cinela.fr/suspensions.php?PHPSESSID=835c44558d92711806210e468e7a3f07>.

Unknown, "Current Microphones," Georg Neumann, retrieved on Apr. 16, 2012 from http://www.neumann.com/?id=current_microphones&lang=en.

Unknown, "SM01 Shockmount 1.73 to 1.89\Diameter," retrieved on Apr. 16, 2012 from http://www.woodbrass.com/en/product_info.php?products_id=34954&af=35.

Cutchins, Cochran, Jr., Kumar, Fitz-Coy and Tinker, "Initial Investigations into the Damping Characteristics of Wire Rope Vibration Isolators," Aerospace Engineering Department Auburn University, Alabama, Jan. 1987.

Roel Leenen, "The Modelling and Identification of an Hysteretic System," Department of Mechanical Engineering, Eindhoven University of Technology, Dec. 2002, 45 pages.

Gary C. Foss, "Modal Damping Estimates from Static Load-Deflection Curves," Structural Dynamics Laboratory, Boeing Commercial Airplane Group, 8 pages.

U.S. Appl. No. 13/448,077, filed Apr. 16, 2012, (27 pages).

Design U.S. Appl. No. 29/418,415, filed Apr. 16, 2012, (7 pages).

* cited by examiner

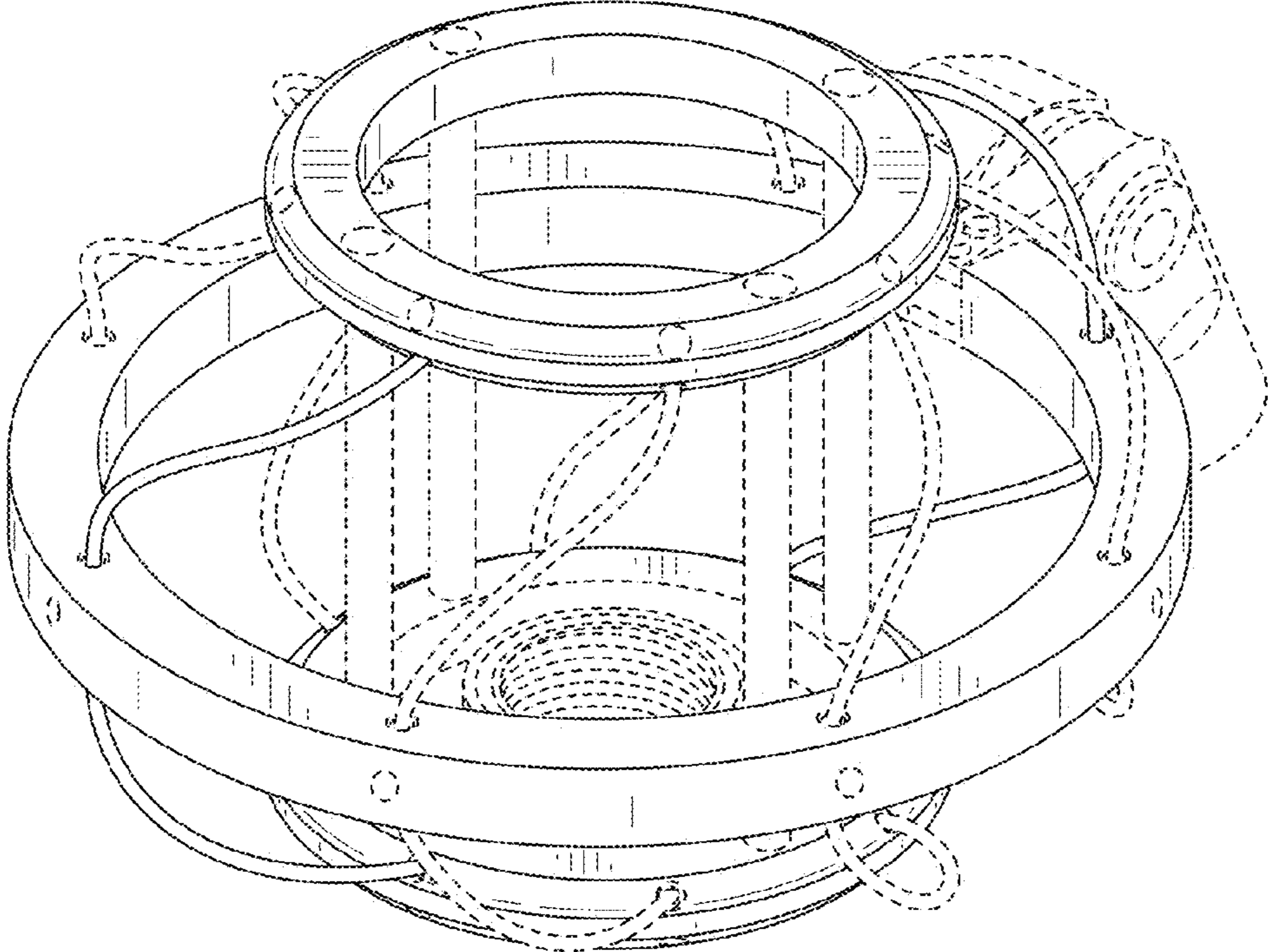


FIG. 1

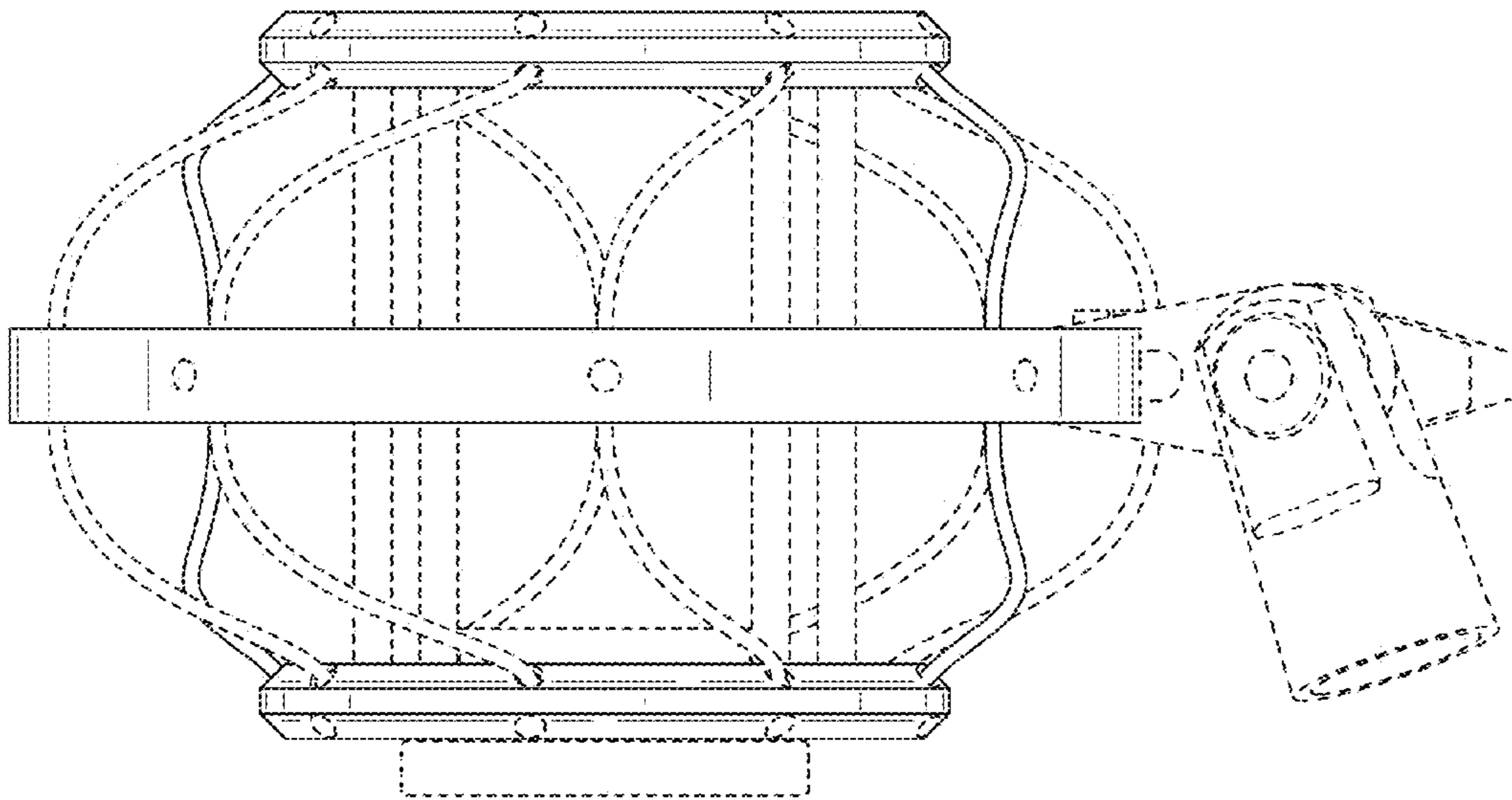


FIG. 2

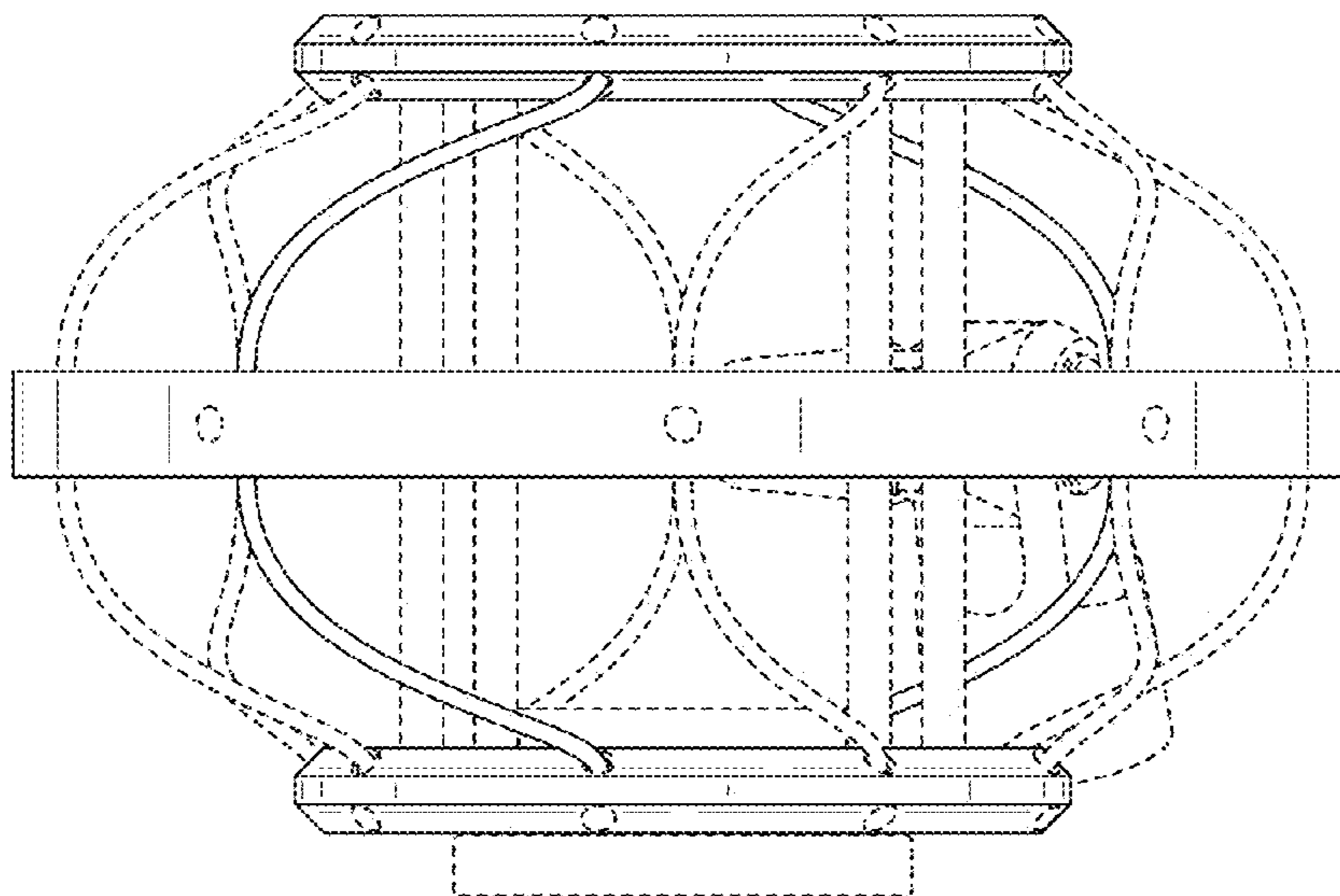


FIG. 3

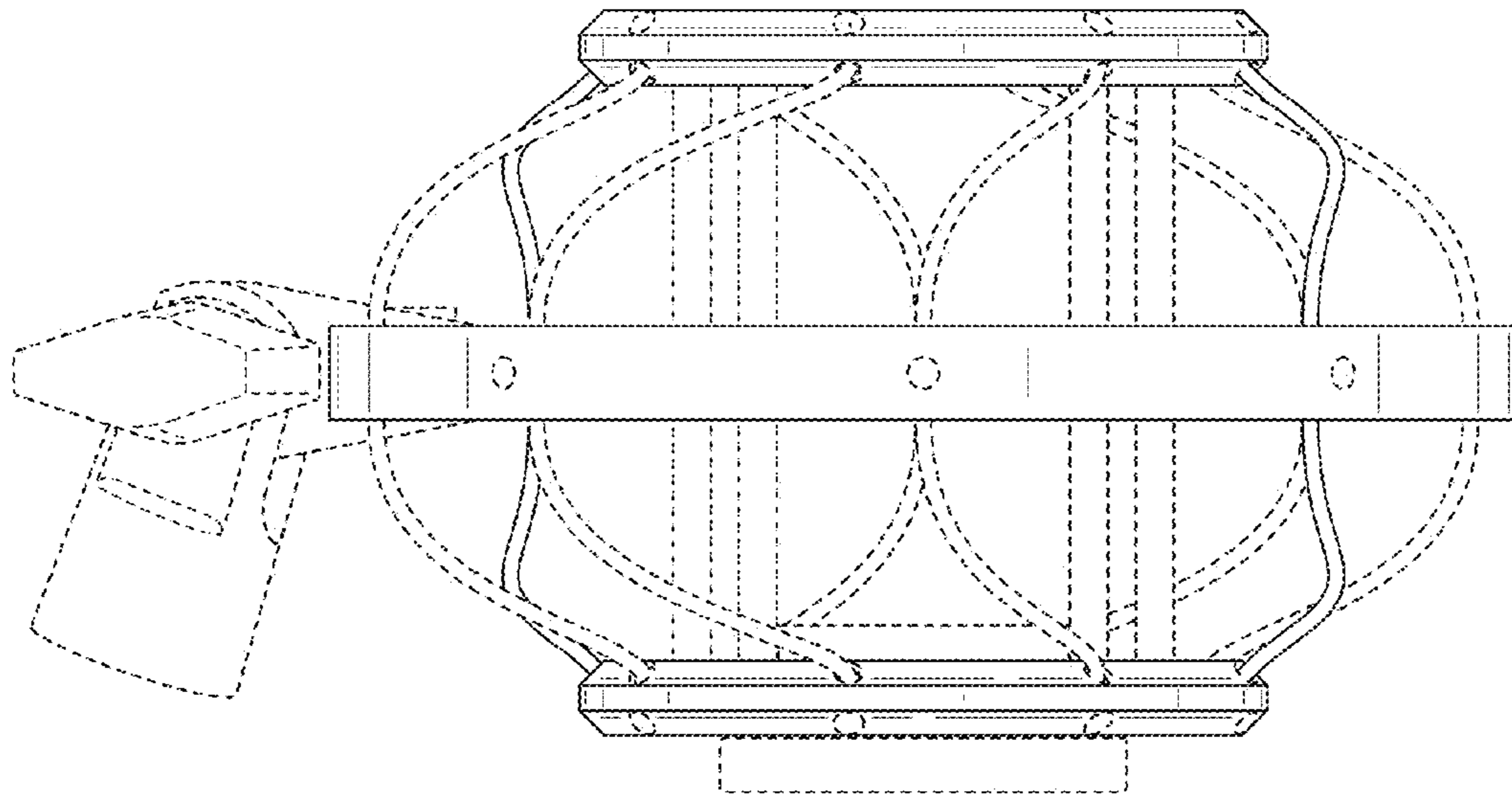


FIG. 4

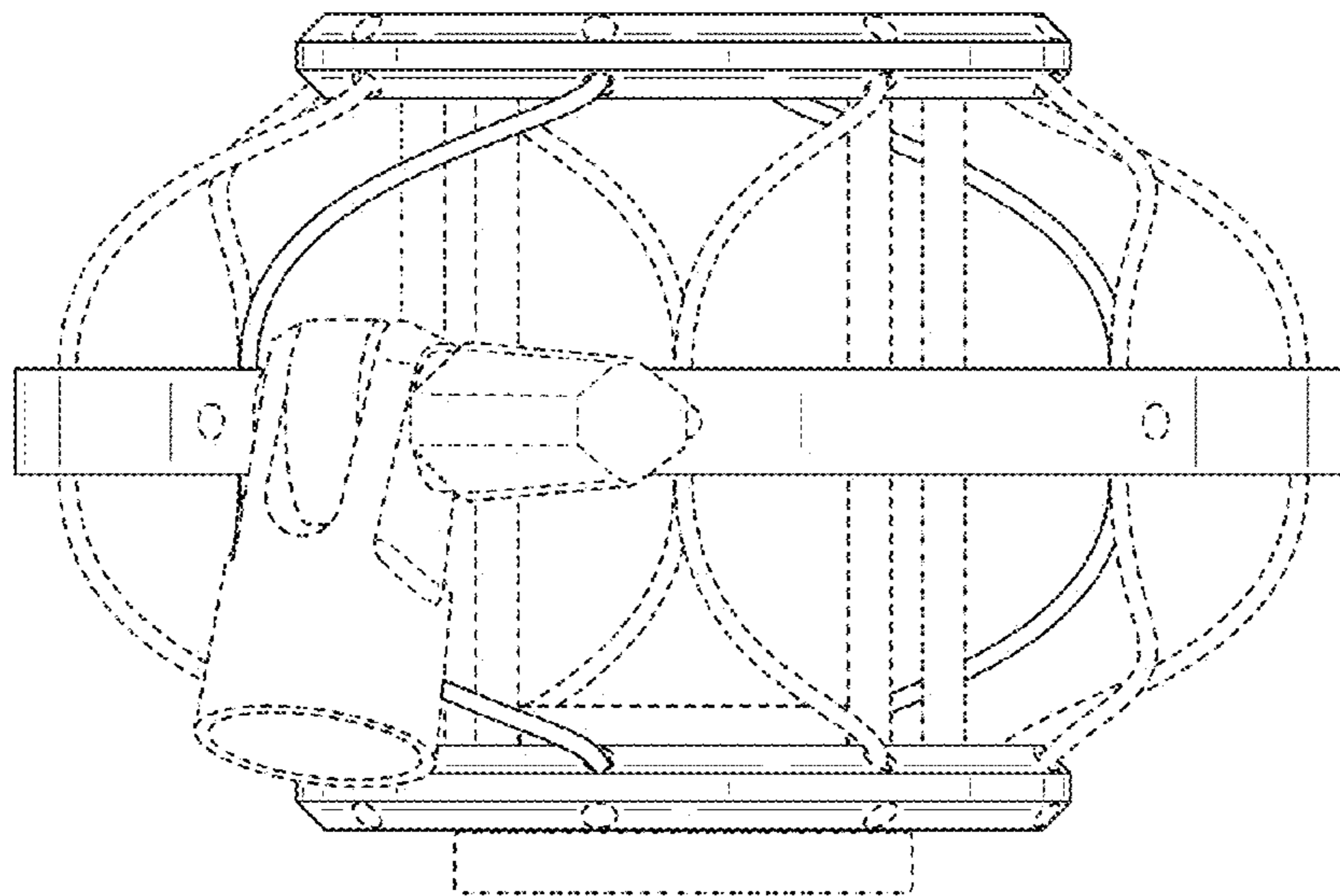


FIG. 5

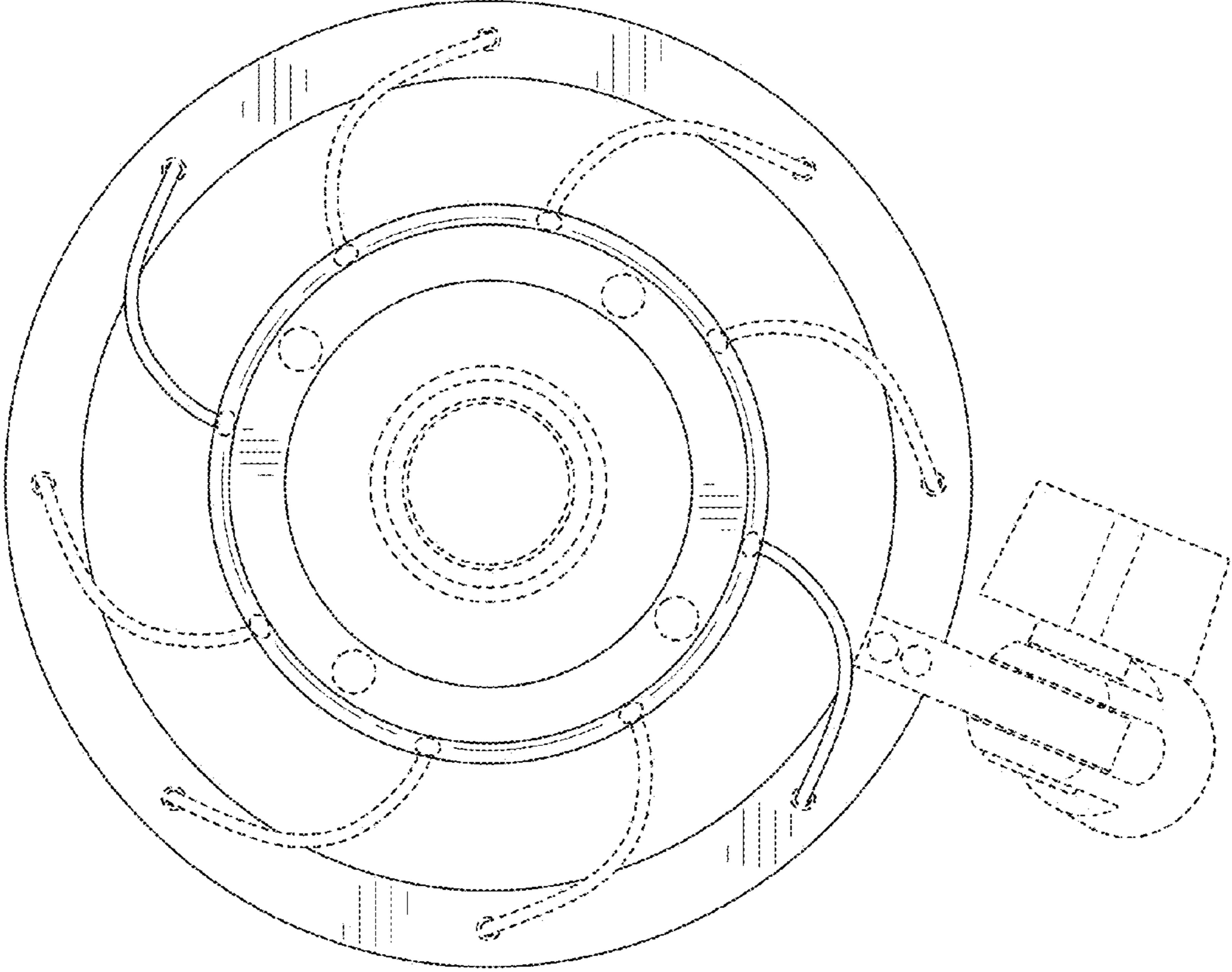


FIG. 6

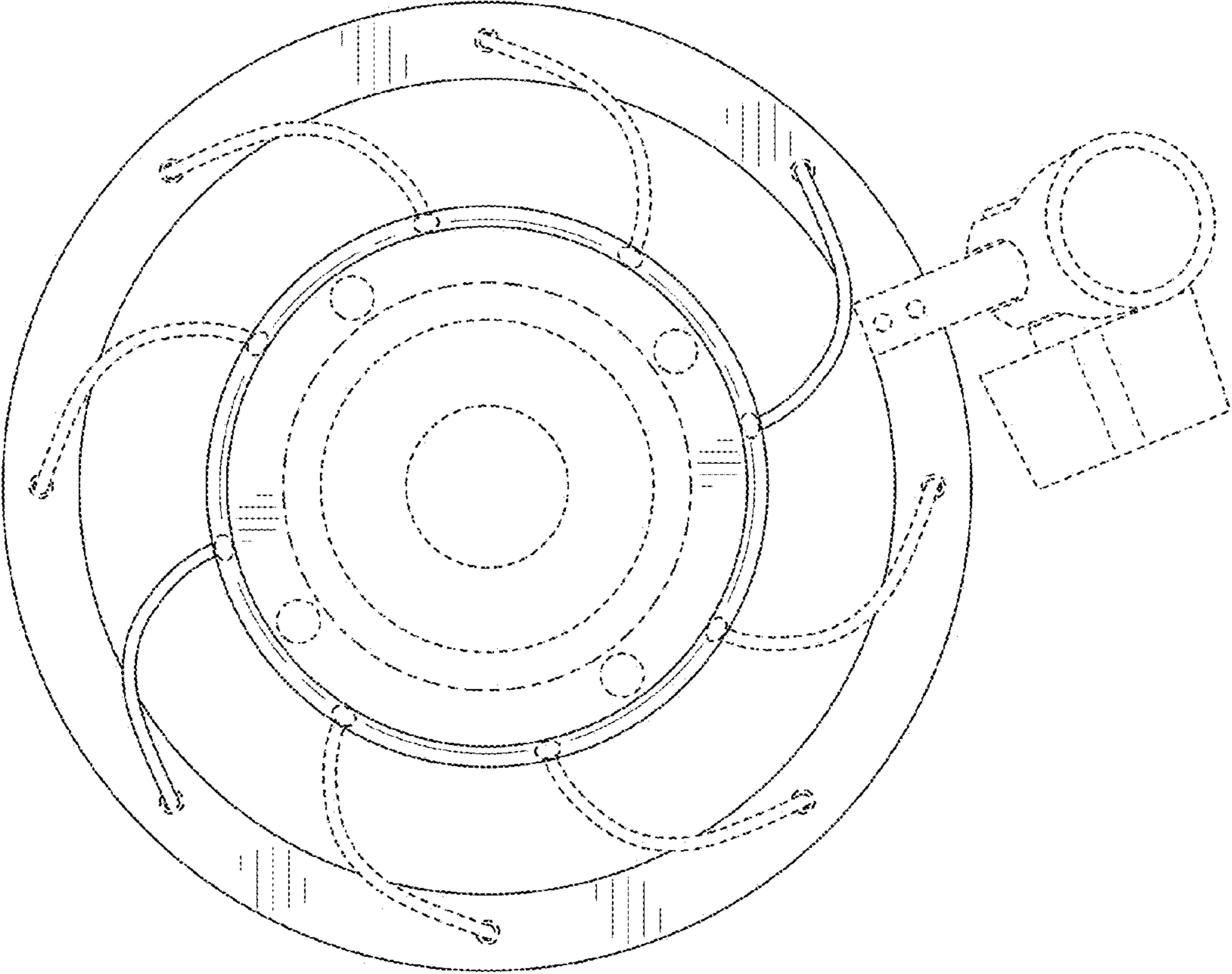


FIG. 7

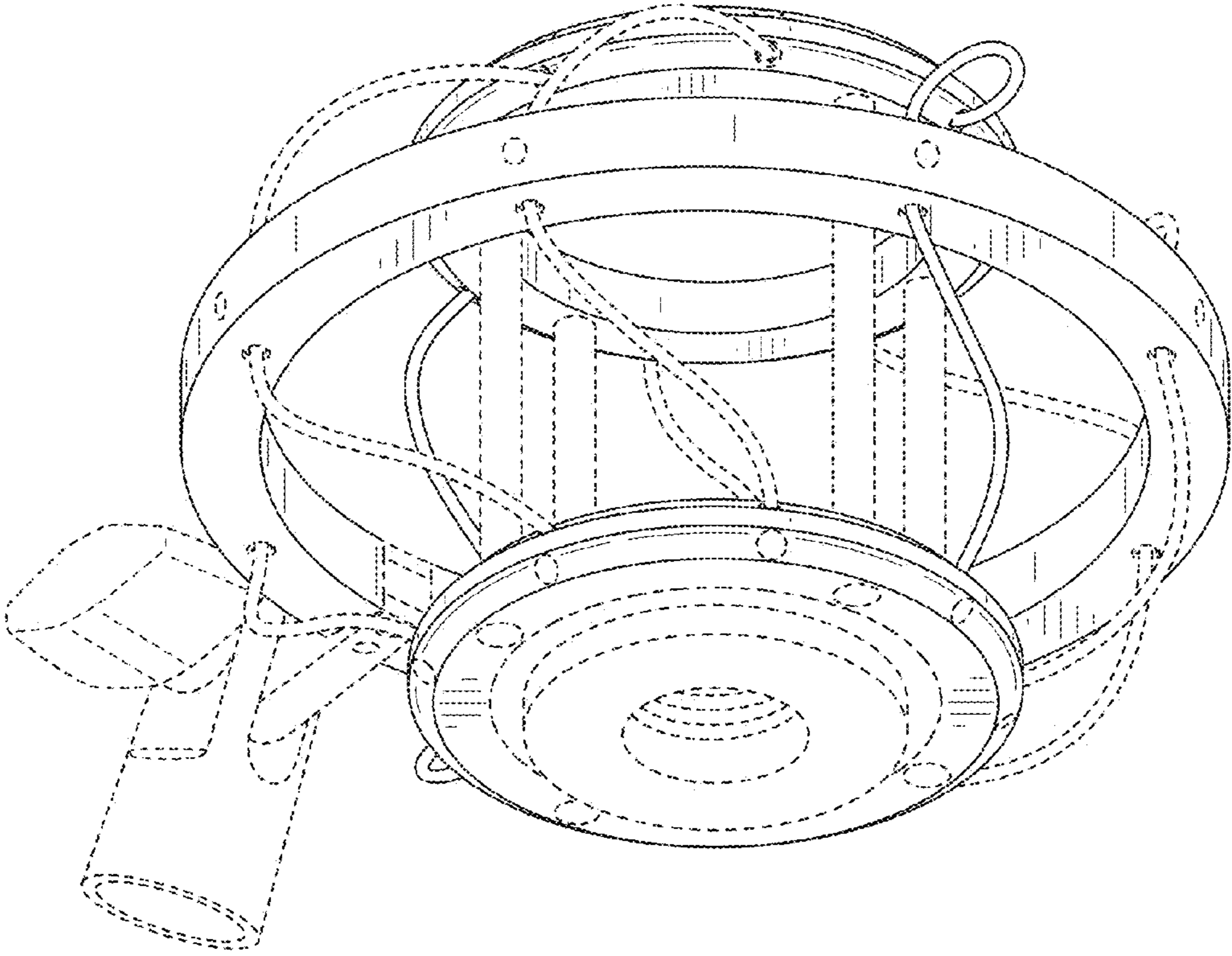


FIG. 8