



US00D705760S

(12) **United States Design Patent**  
**Drambarean**

(10) **Patent No.:** **US D705,760 S**

(45) **Date of Patent:** **\*\* May 27, 2014**

(54) **ELECTRONIC EARPLUG**

(71) Applicant: **Etymotic Research, Inc.**, Elk Grove Village, IL (US)

(72) Inventor: **Viorel Drambarean**, Lincolnwood, IL (US)

(73) Assignee: **Etymotic Research, Inc.**, Elk Grove Village, IL (US)

(\*\*) Term: **14 Years**

(21) Appl. No.: **29/455,807**

(22) Filed: **May 24, 2013**

(51) **LOC (10) Cl.** ..... **14-01**

(52) **U.S. Cl.**

CPC ..... **H04R 25/00** (2013.01)

USPC ..... **D14/223**

(58) **Field of Classification Search**

USPC ..... D14/223, 205, 214, 215, 216, 217, 188, D14/192, 341, 344, 426, 449, 450, 453, 507, D14/509, 191, 203.5, 218; 181/129, 130, 181/135; 379/430, 431; 381/370, 380, 381, 381/375, 321; 455/90.3, 575.2; D24/174  
See application file for complete search history.

(56) **References Cited**

**U.S. PATENT DOCUMENTS**

2,430,229	A *	11/1947	Kelsey	.....	381/338
3,374,318	A *	3/1968	Martin	.....	381/325
4,969,534	A *	11/1990	Kolpe et al.	.....	181/130
D326,653	S *	6/1992	Hino	.....	D14/192
D441,185	S *	5/2001	Shimizu et al.	.....	D3/207
D451,493	S *	12/2001	Ng	.....	D14/192
D455,835	S *	4/2002	Anderson et al.	.....	D24/174
D472,889	S *	4/2003	Tanaka et al.	.....	D14/206
D478,576	S *	8/2003	Leong	.....	D14/240
D479,834	S *	9/2003	Salazar et al.	.....	D14/205
D494,570	S *	8/2004	Ma	.....	D14/223

D502,171	S *	2/2005	Tang et al.	.....	D14/223
6,868,284	B2 *	3/2005	Bae	.....	455/575.2
D504,884	S *	5/2005	Hering	.....	D14/206
D509,210	S *	9/2005	Skulley et al.	.....	D14/205
D509,823	S *	9/2005	Han et al.	.....	D14/223
D514,549	S *	2/2006	Rath et al.	.....	D14/223
7,079,664	B2 *	7/2006	Nassimi	.....	381/380
D538,268	S *	3/2007	Gibson et al.	.....	D14/223
D538,270	S *	3/2007	Kim et al.	.....	D14/223
D550,658	S *	9/2007	Wang	.....	D14/223
D555,151	S *	11/2007	Eklund et al.	.....	D14/223
D562,808	S *	2/2008	Gwee	.....	D14/223
D566,694	S *	4/2008	Kim et al.	.....	D14/223
D572,241	S *	7/2008	Gwee	.....	D14/223
D574,814	S *	8/2008	Hammond	.....	D14/223
D575,277	S *	8/2008	Garde et al.	.....	D14/223
D582,899	S *	12/2008	Wai	.....	D14/223
D584,293	S *	1/2009	Kim et al.	.....	D14/223

(Continued)

*Primary Examiner* — Paula Greene

(74) *Attorney, Agent, or Firm* — McAndrews Held & Malloy, Ltd.

(57) **CLAIM**

The ornamental design for an electronic earplug, as shown and described.

**DESCRIPTION**

FIG. 1 is a top perspective view of a design for an electronic earplug.

FIG. 2 is a bottom perspective view thereof.

FIG. 3 is a top plan view thereof.

FIG. 4 is a bottom plan view thereof.

FIG. 5 is a left side elevation view thereof.

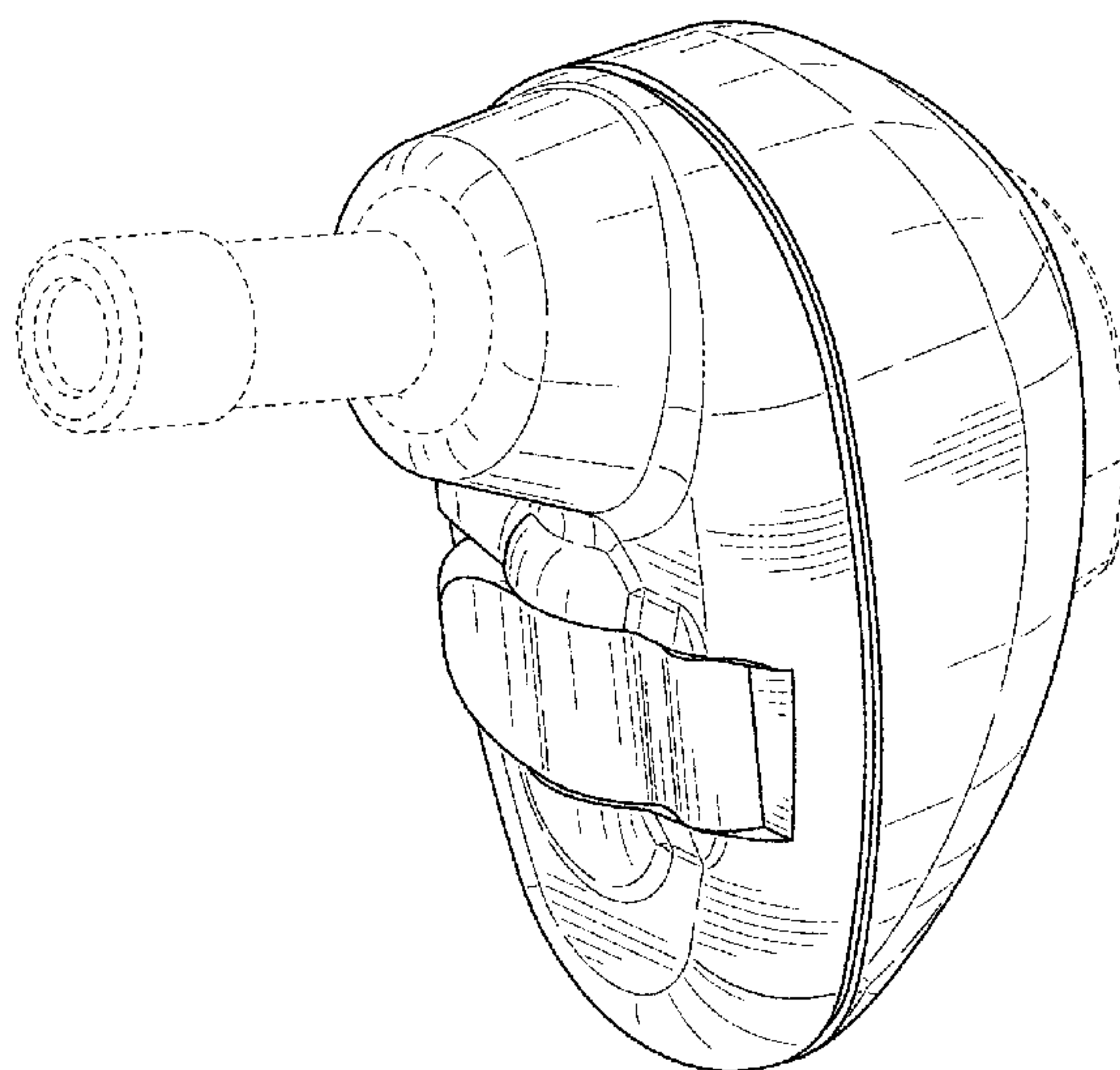
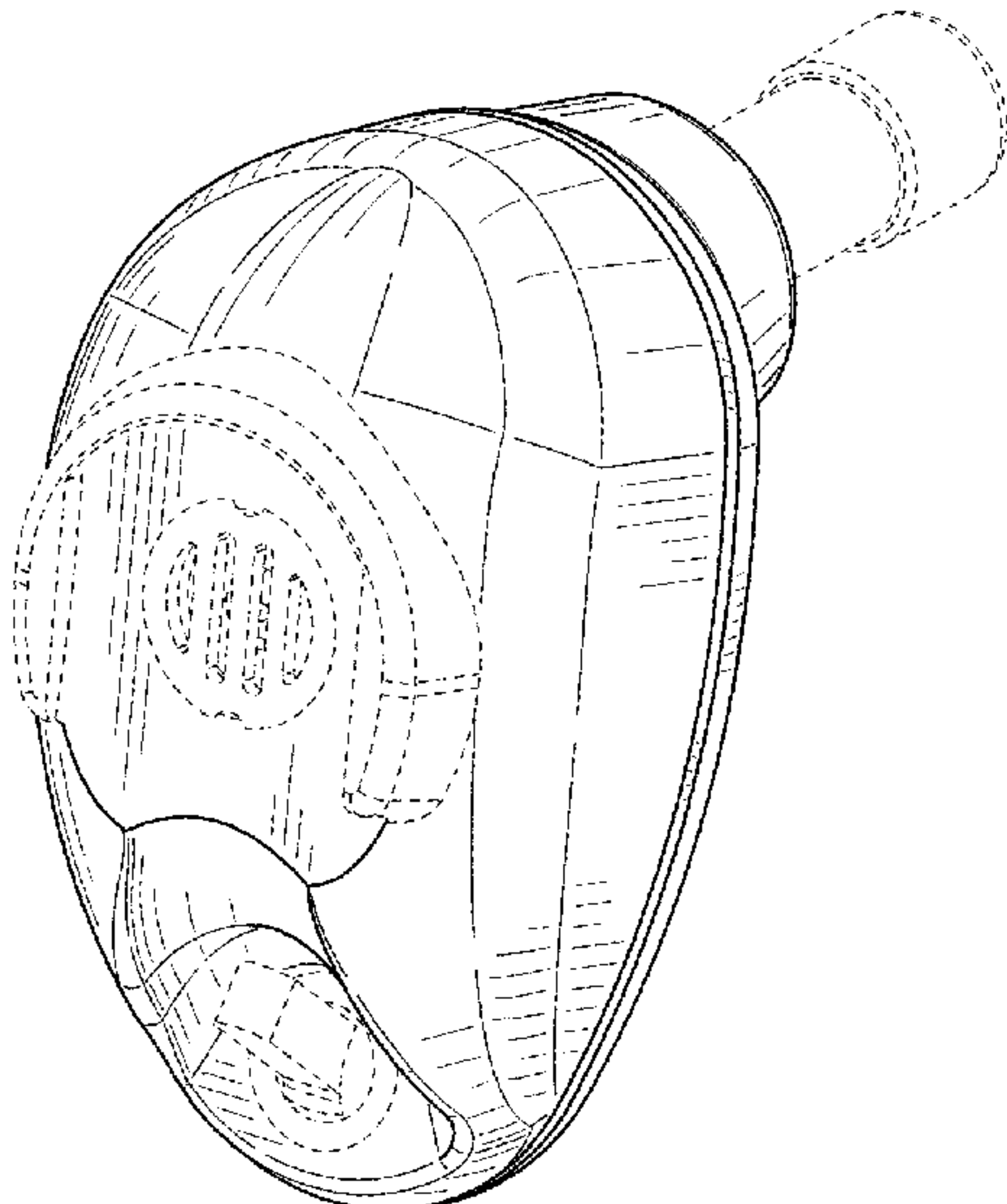
FIG. 6 is a right side elevation view thereof.

FIG. 7 is a front side elevation view thereof; and,

FIG. 8 is a rear side elevation view thereof.

The broken lines in the drawings, indicating that no particular shape is being claimed, represent environmental subject matter and form no part of the claimed design.

**1 Claim, 4 Drawing Sheets**



(56)

**References Cited**

U.S. PATENT DOCUMENTS

D600,682 S *	9/2009	Wai	.....	D14/223
7,639,825 B2 *	12/2009	Fukuda	.....	381/151
D620,926 S *	8/2010	Wai et al.	.....	D14/223
D622,855 S *	8/2010	Cano, Jr.	.....	D24/174
D630,622 S *	1/2011	Lee et al.	.....	D14/223
D637,182 S *	5/2011	Lee et al.	.....	D14/223
D637,183 S *	5/2011	March	.....	D14/223
D637,184 S *	5/2011	March	.....	D14/223
D649,957 S *	12/2011	Fahrendorff et al.	.....	D14/223
D649,958 S *	12/2011	Park	.....	D14/223
D650,773 S *	12/2011	Kim et al.	.....	D14/223
D655,277 S *	3/2012	Wai	.....	D14/223
D656,491 S *	3/2012	Nomura	.....	D14/223
D683,334 S *	5/2013	Gondo	.....	D14/223
D687,417 S *	8/2013	Koss et al.	.....	D14/223
2007/0098201 A1 *	5/2007	Chen	.....	381/380
2011/0228947 A1 *	9/2011	Killion et al.	.....	381/72

\* cited by examiner

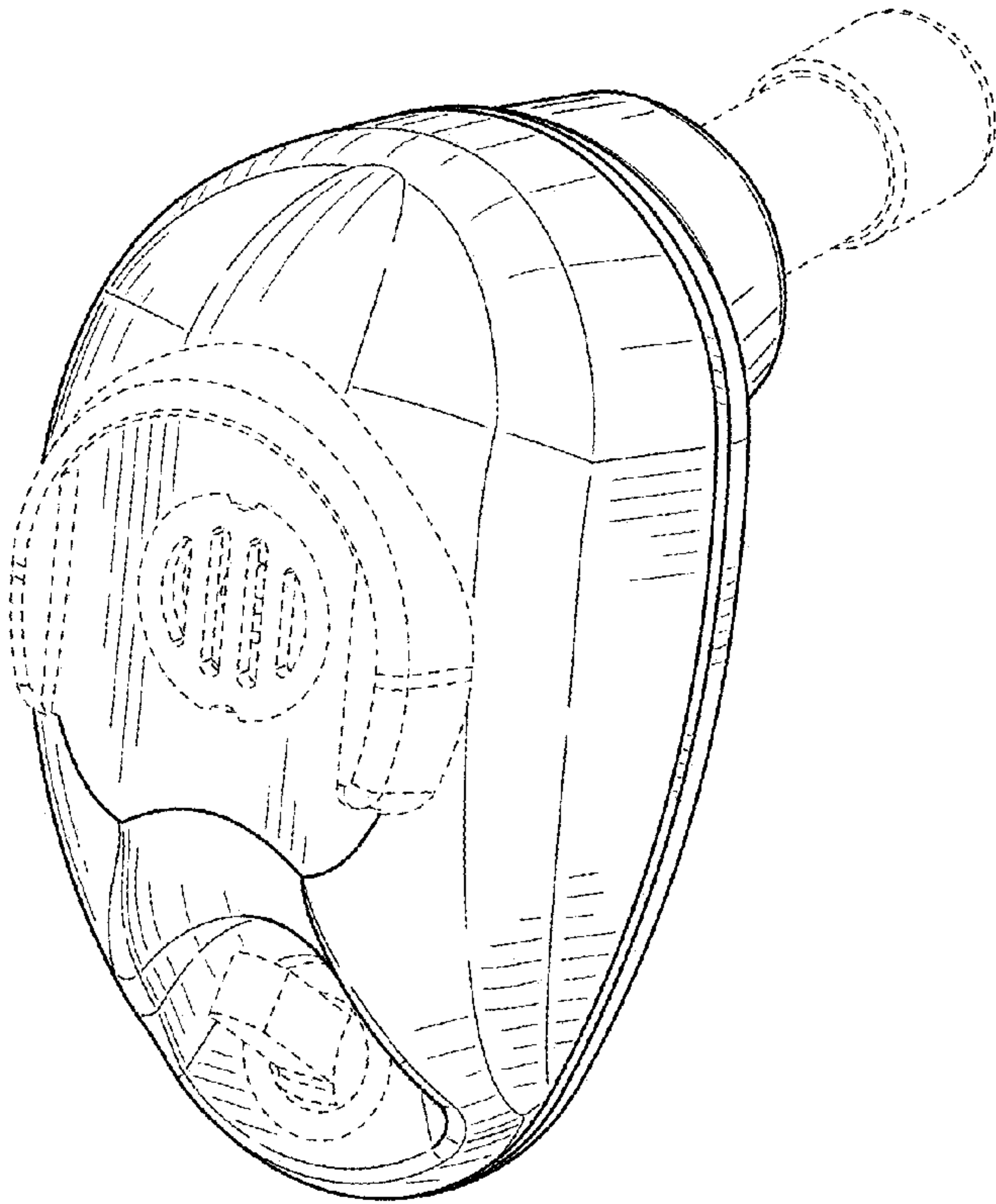


FIG. 1

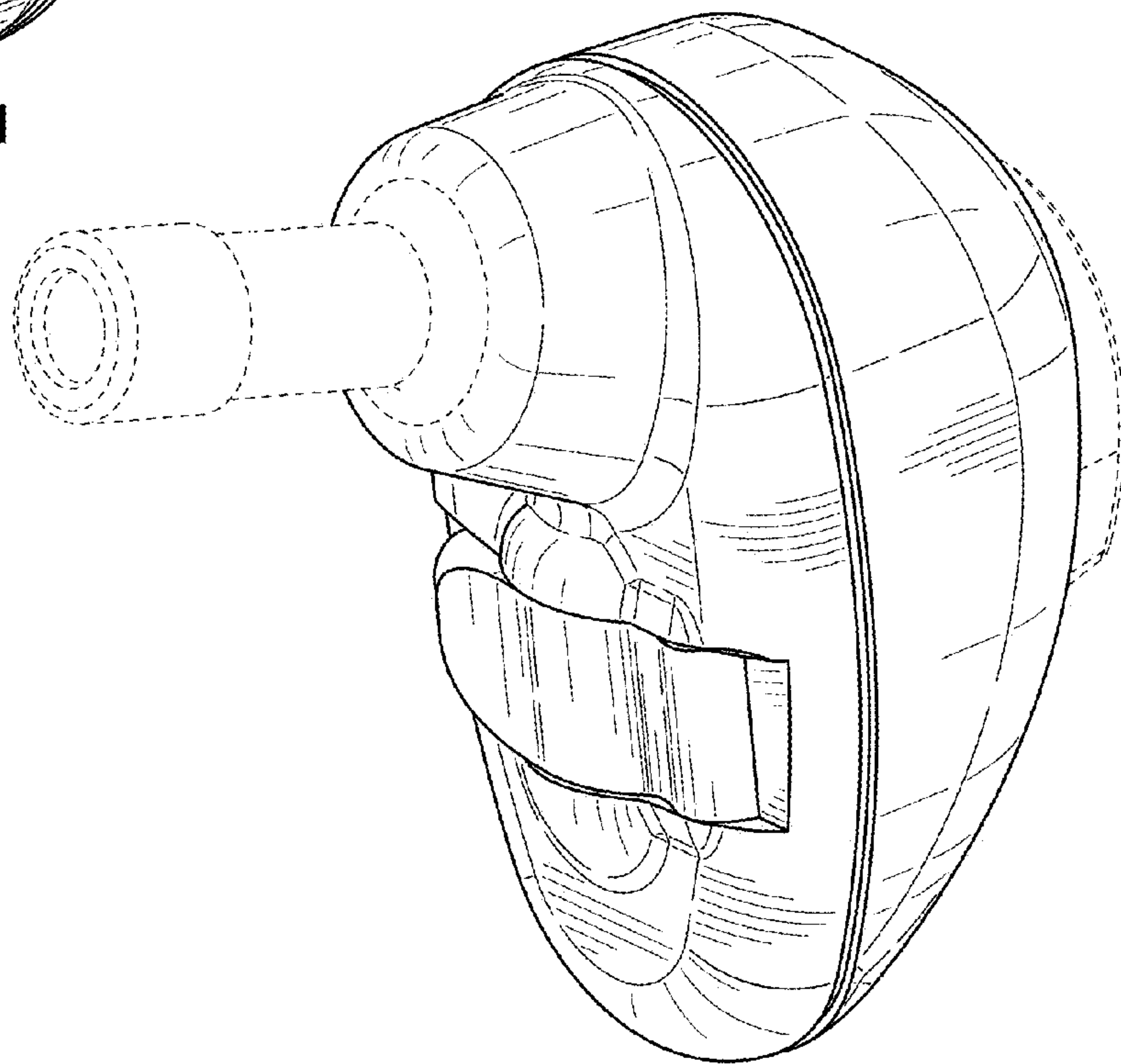


FIG. 2



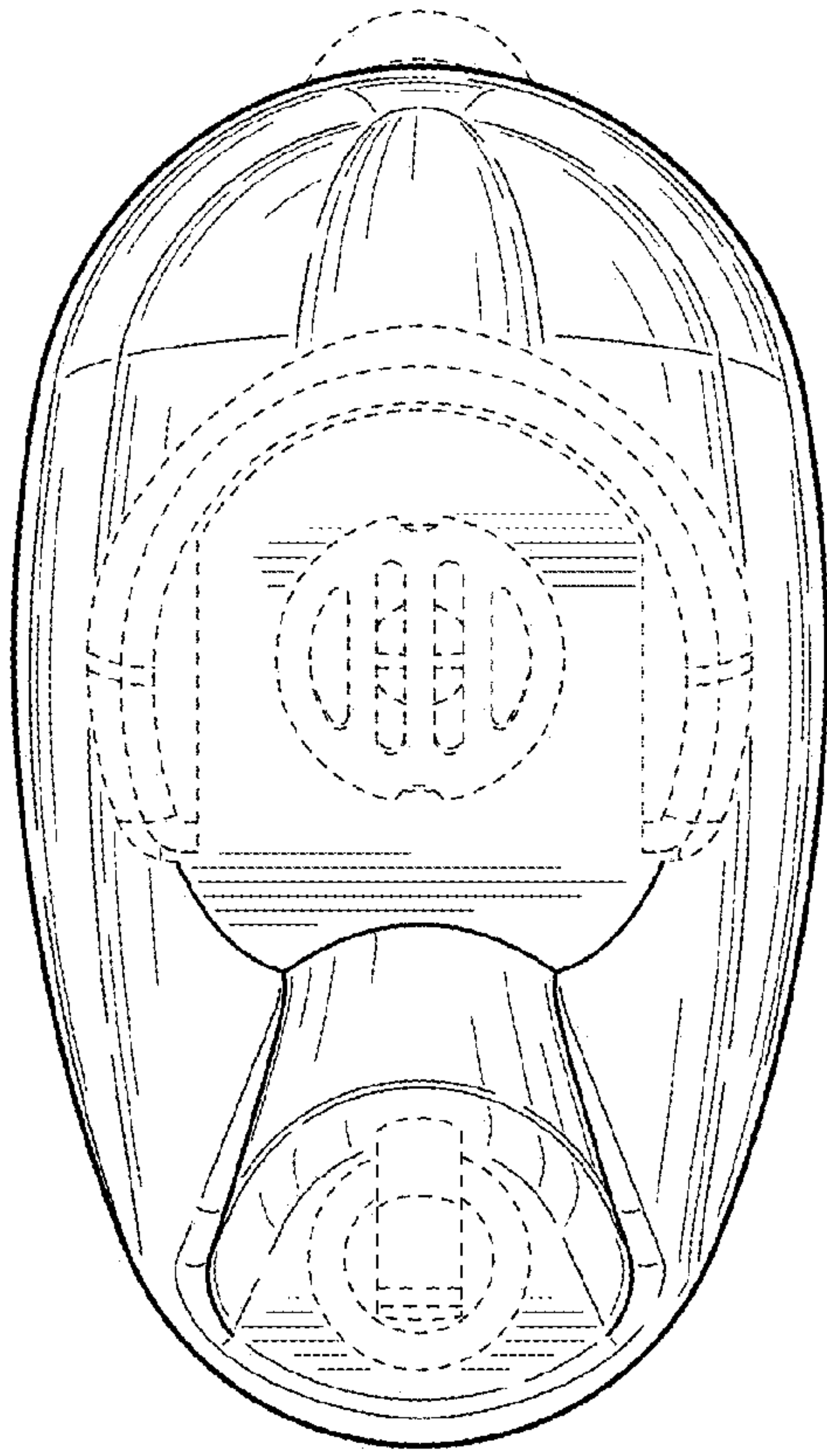


FIG. 3

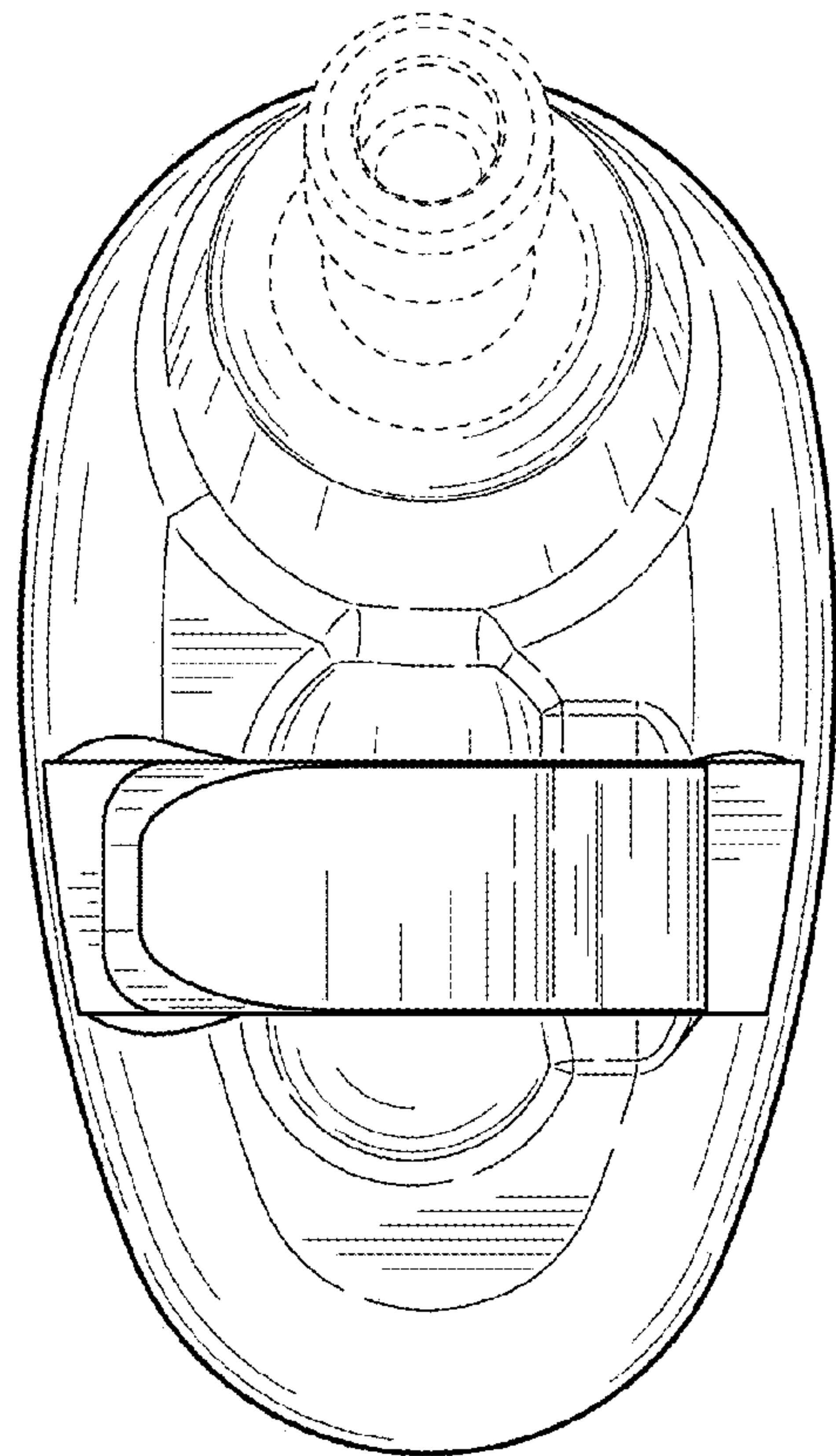


FIG. 4

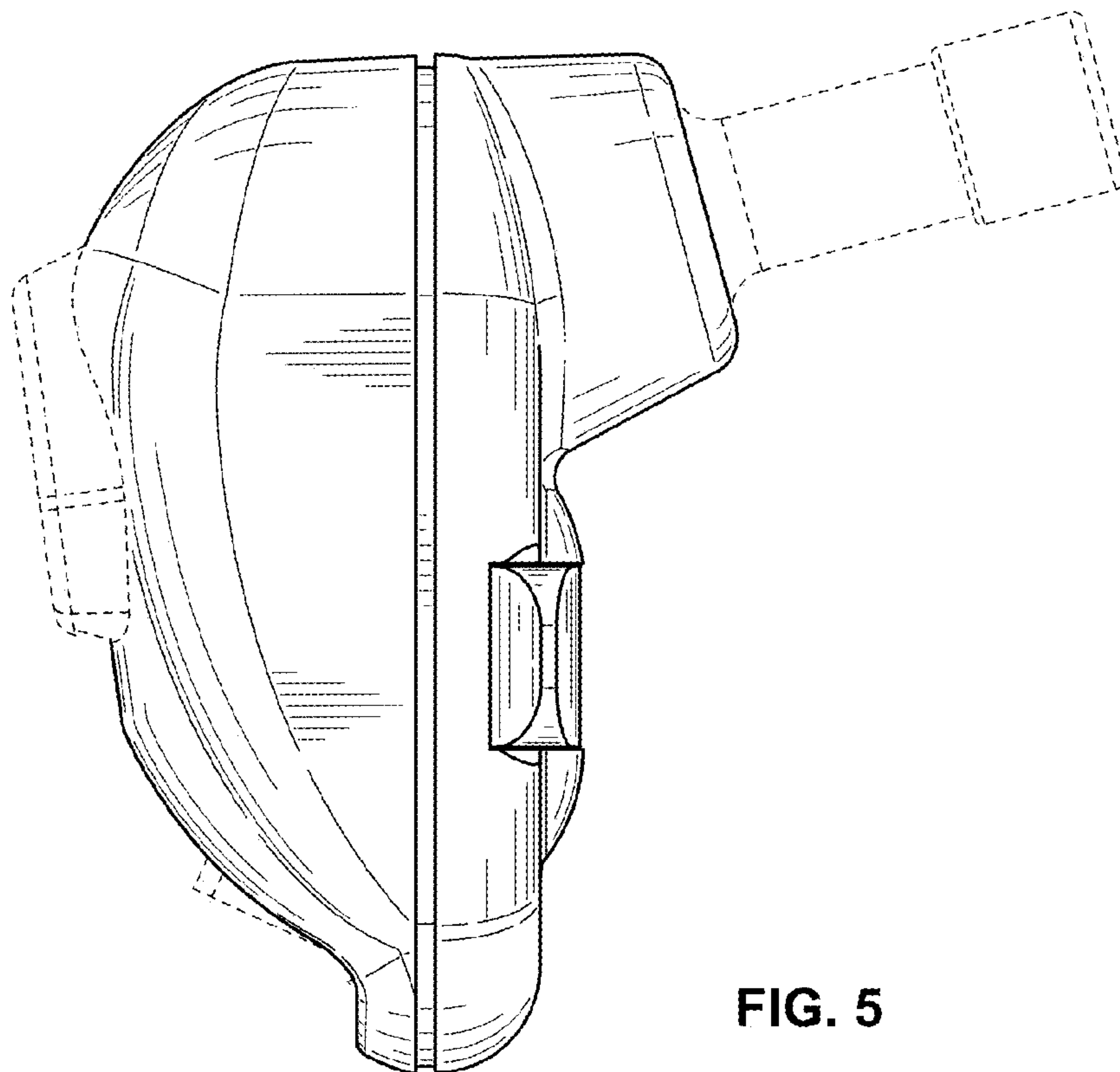


FIG. 5

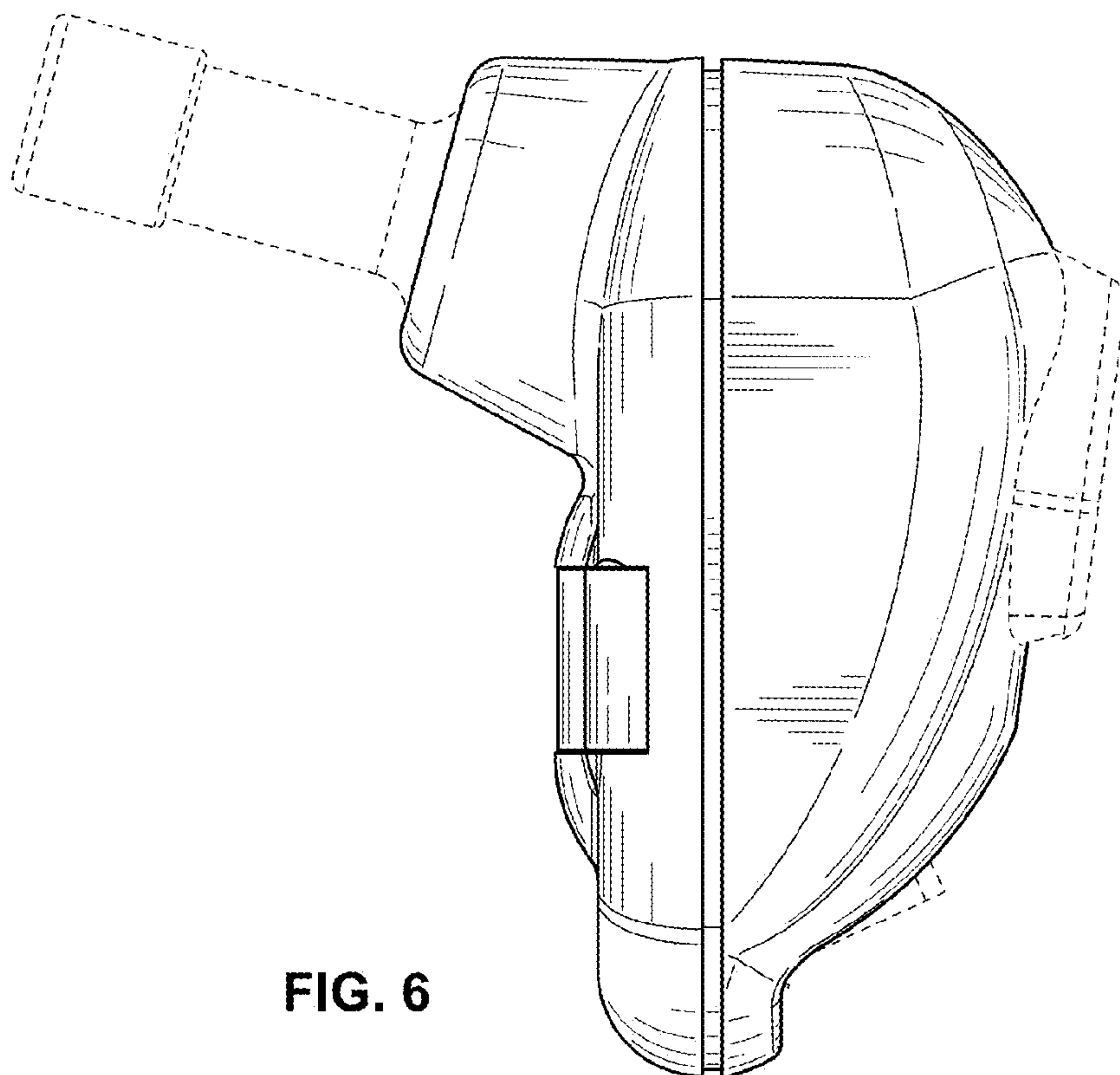


FIG. 6

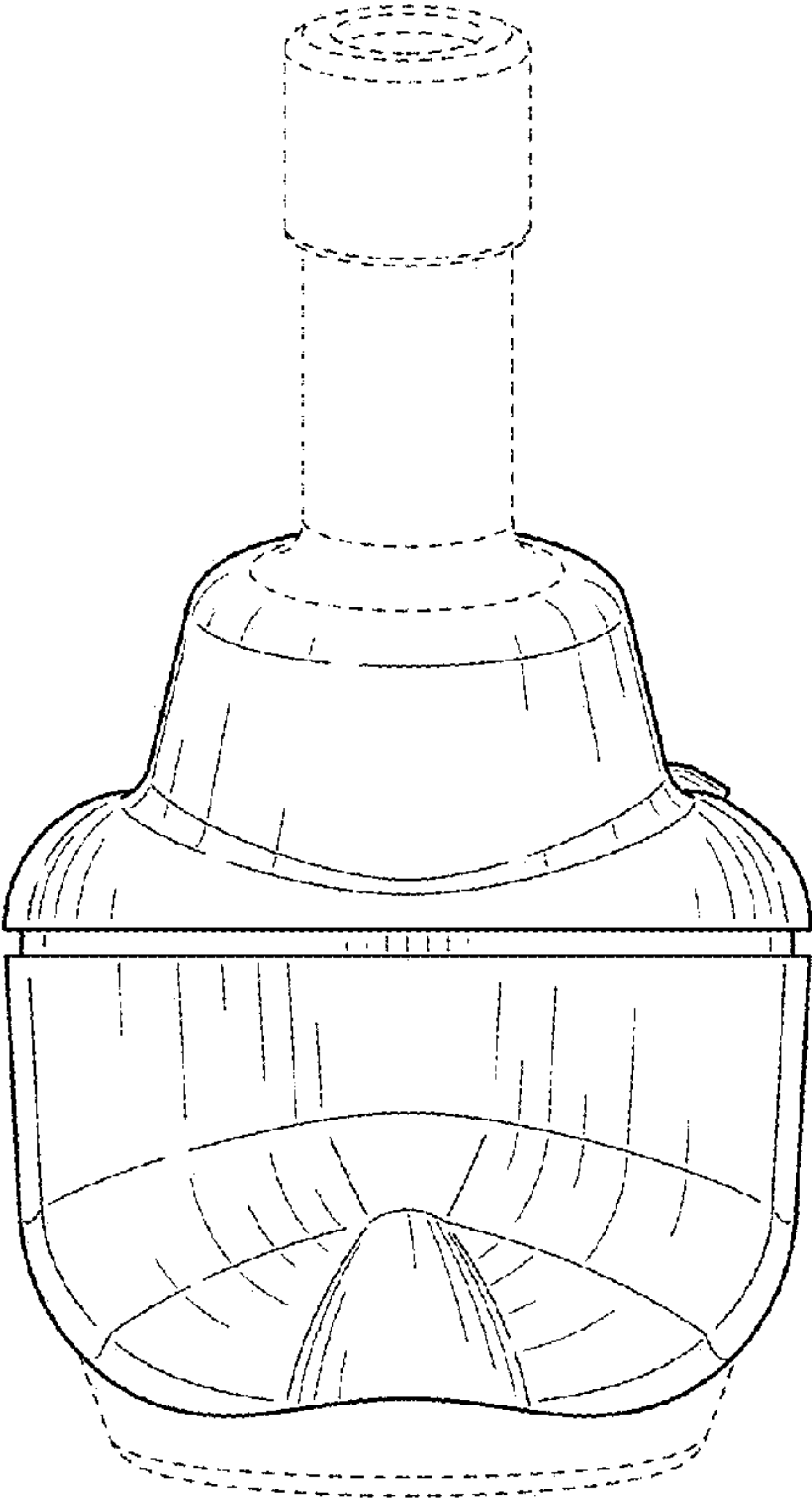


FIG. 7

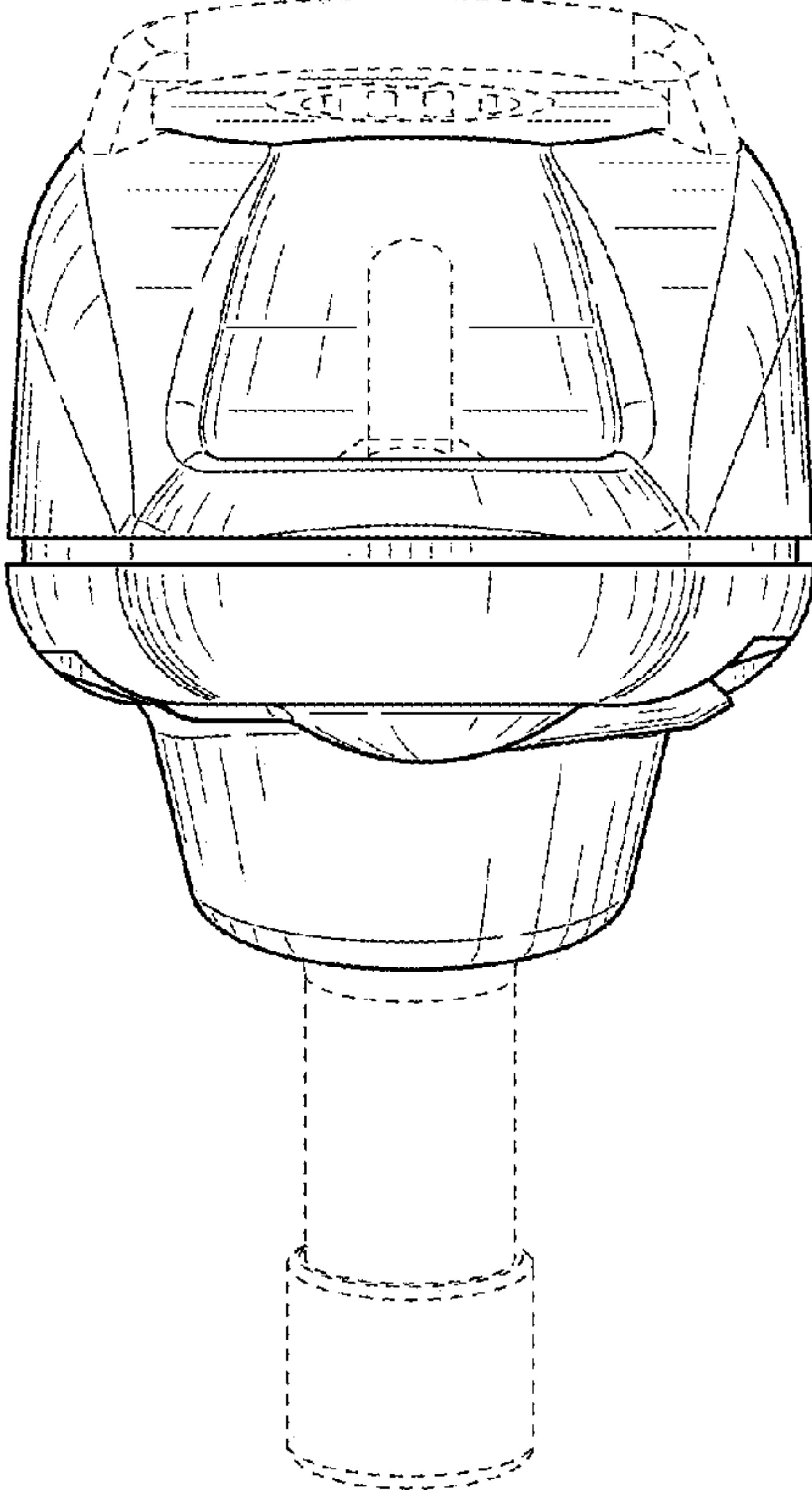


FIG. 8