



US00D705753S

(12) **United States Design Patent**
Kimura

(10) **Patent No.:** **US D705,753 S**

(45) **Date of Patent:** **** May 27, 2014**

(54) **AMPLIFIED SPEAKER**

(71) Applicant: **Roland Corporation**, Shizuoka (JP)

(72) Inventor: **Akihito Kimura**, Shizuoka (JP)

(73) Assignee: **Roland Corporation**, Shizuoka (JP)

(**) Term: **14 Years**

(21) Appl. No.: **29/455,919**

(22) Filed: **May 27, 2013**

(30) **Foreign Application Priority Data**

Dec. 13, 2012 (JP) 2012-030443

(51) **LOC (10) Cl.** **14-01**

(52) **U.S. Cl.**
USPC **D14/209.1**

(58) **Field of Classification Search**
USPC D14/204, 204.1, 210–216, 172, 434,
D14/265; 181/143, 144, 147, 148, 150–153,
181/157, 198, 199; 381/300–306, 332, 333,
381/336, 345, 361–364
See application file for complete search history.

(56) **References Cited**

U.S. PATENT DOCUMENTS

5,546,468 A * 8/1996 Beard 381/86
5,937,074 A * 8/1999 Carver 381/395
6,791,907 B2 * 9/2004 Berhan 369/7

6,795,318 B2 * 9/2004 Haas et al. 361/729
D618,213 S * 6/2010 Goh et al. D14/209.1
D625,289 S * 10/2010 Hao et al. D14/209.1
D641,338 S * 7/2011 Chen D14/209.1
8,180,095 B2 * 5/2012 Zhang 381/387
8,194,897 B2 * 6/2012 Choi 381/182
D676,412 S * 2/2013 Holzer D14/171
D676,829 S * 2/2013 Kaneko D14/209.1
D687,013 S * 7/2013 Ryu et al. D14/209.1
D688,229 S * 8/2013 Ryu et al. D14/209.1

* cited by examiner

Primary Examiner — Prabhakar Deshmukh

(74) *Attorney, Agent, or Firm* — Jianq Chyun IP Office

(57) **CLAIM**

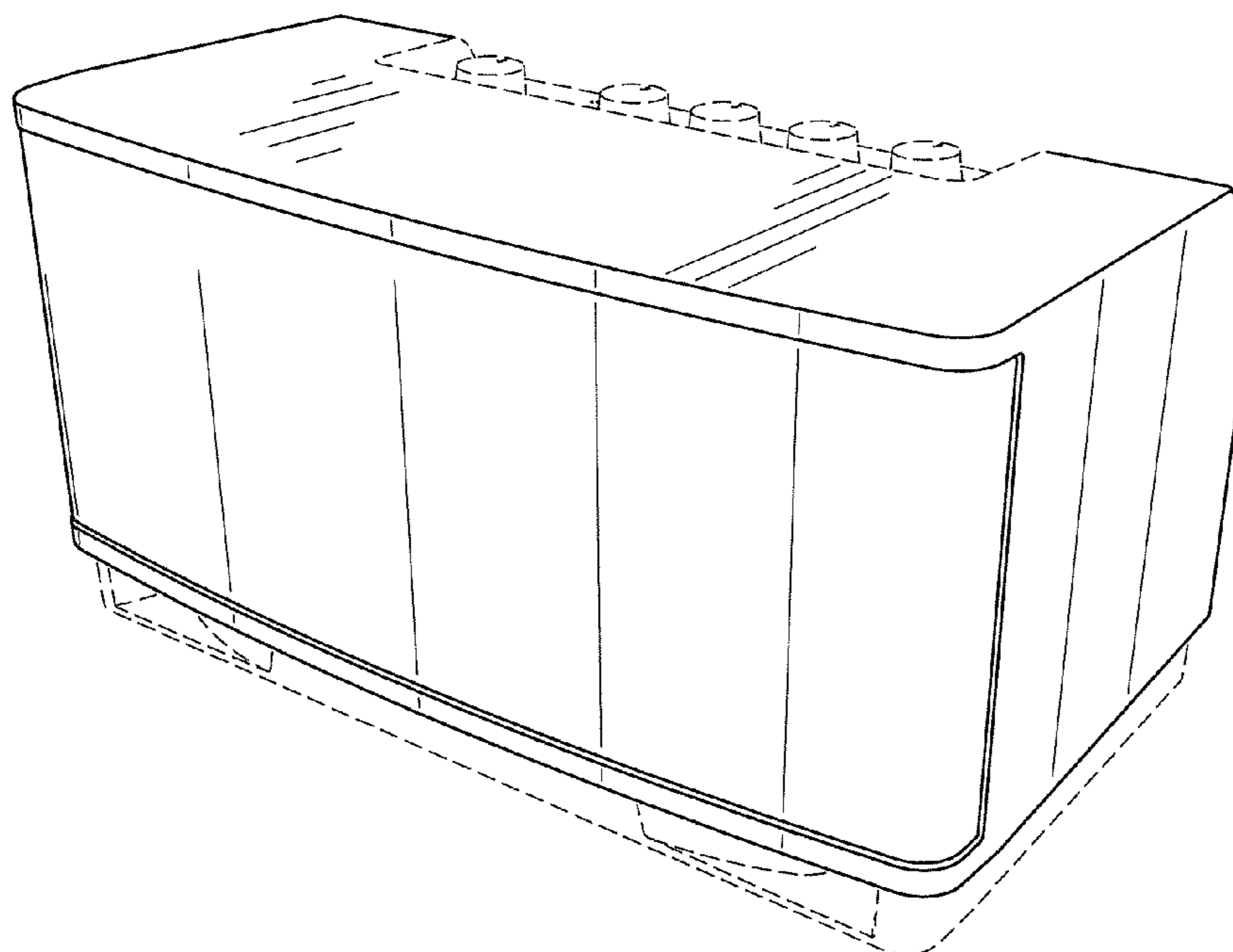
The ornamental design for an amplified speaker, as shown and described.

DESCRIPTION

FIG. 1 is a perspective view of an amplified speaker showing my new design;
FIG. 2 is another perspective view thereof;
FIG. 3 is a front view thereof;
FIG. 4 is a rear view thereof;
FIG. 5 is a left side view thereof;
FIG. 6 is a right side view thereof;
FIG. 7 is a top view thereof; and,
FIG. 8 is a bottom view thereof.

The broken line portions of the amplified speaker in FIGS. 1-8 represent unclaimed portions of the claimed design and form no part thereof.

1 Claim, 5 Drawing Sheets



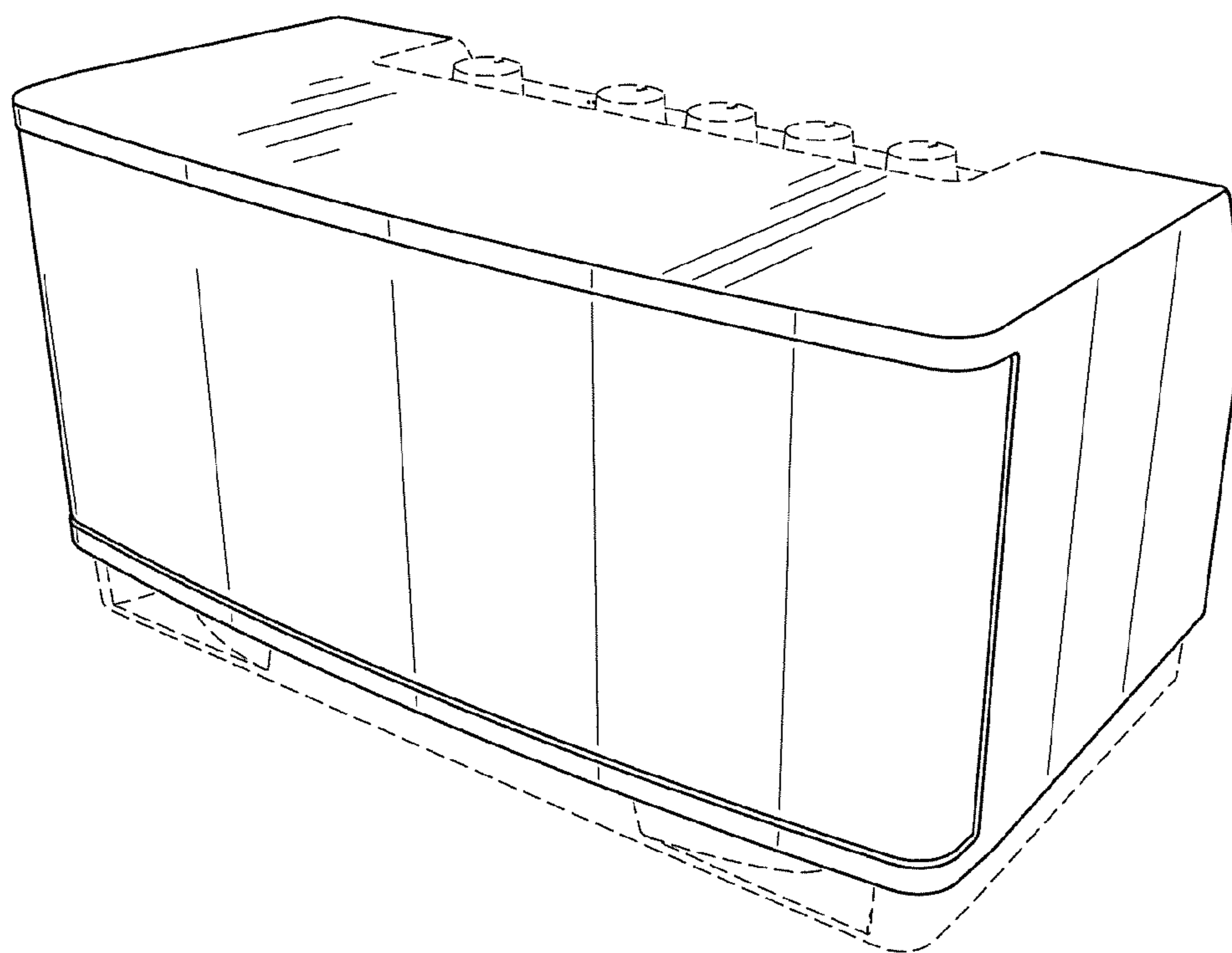


FIG. 1

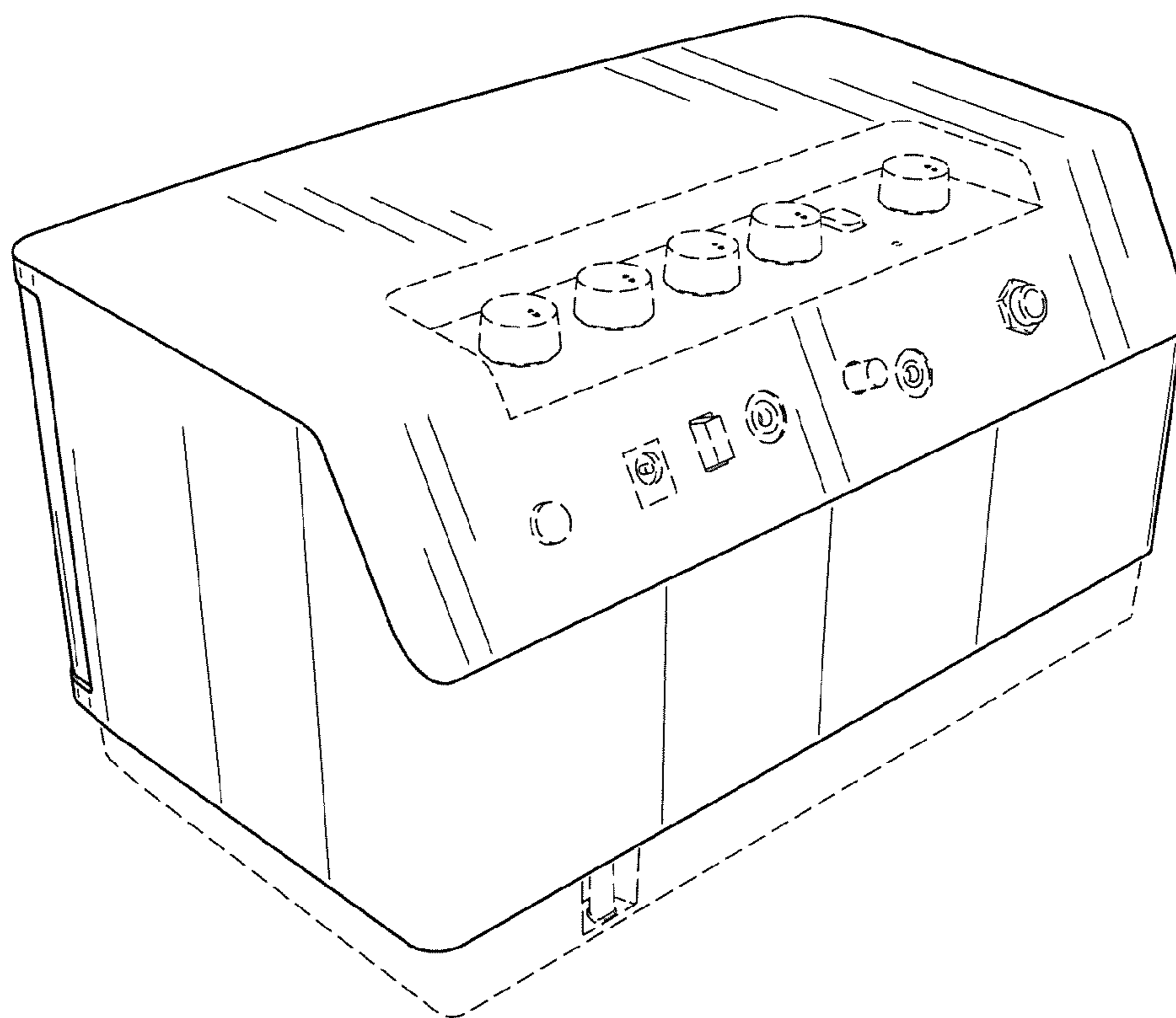


FIG. 2

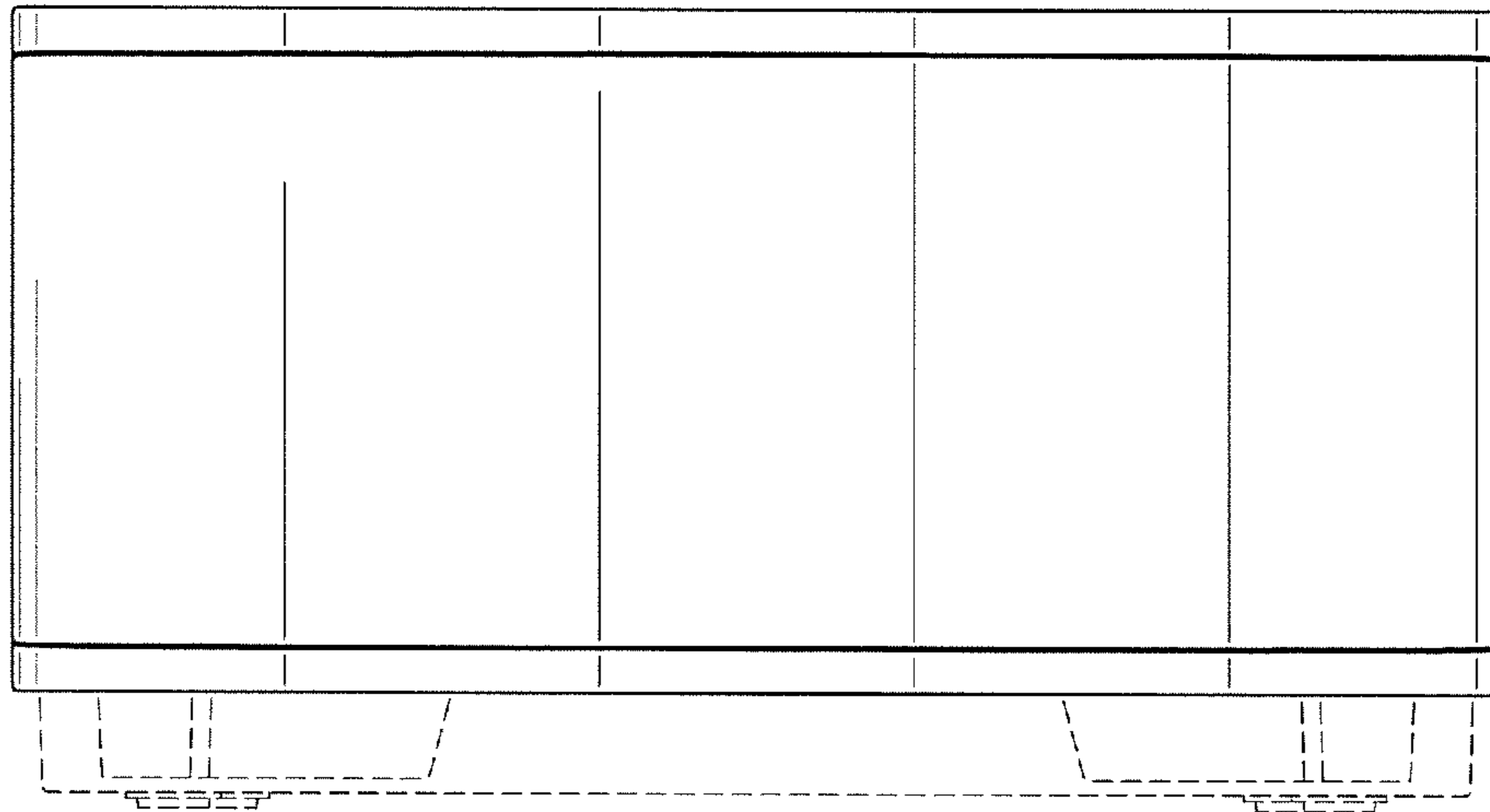


FIG. 3

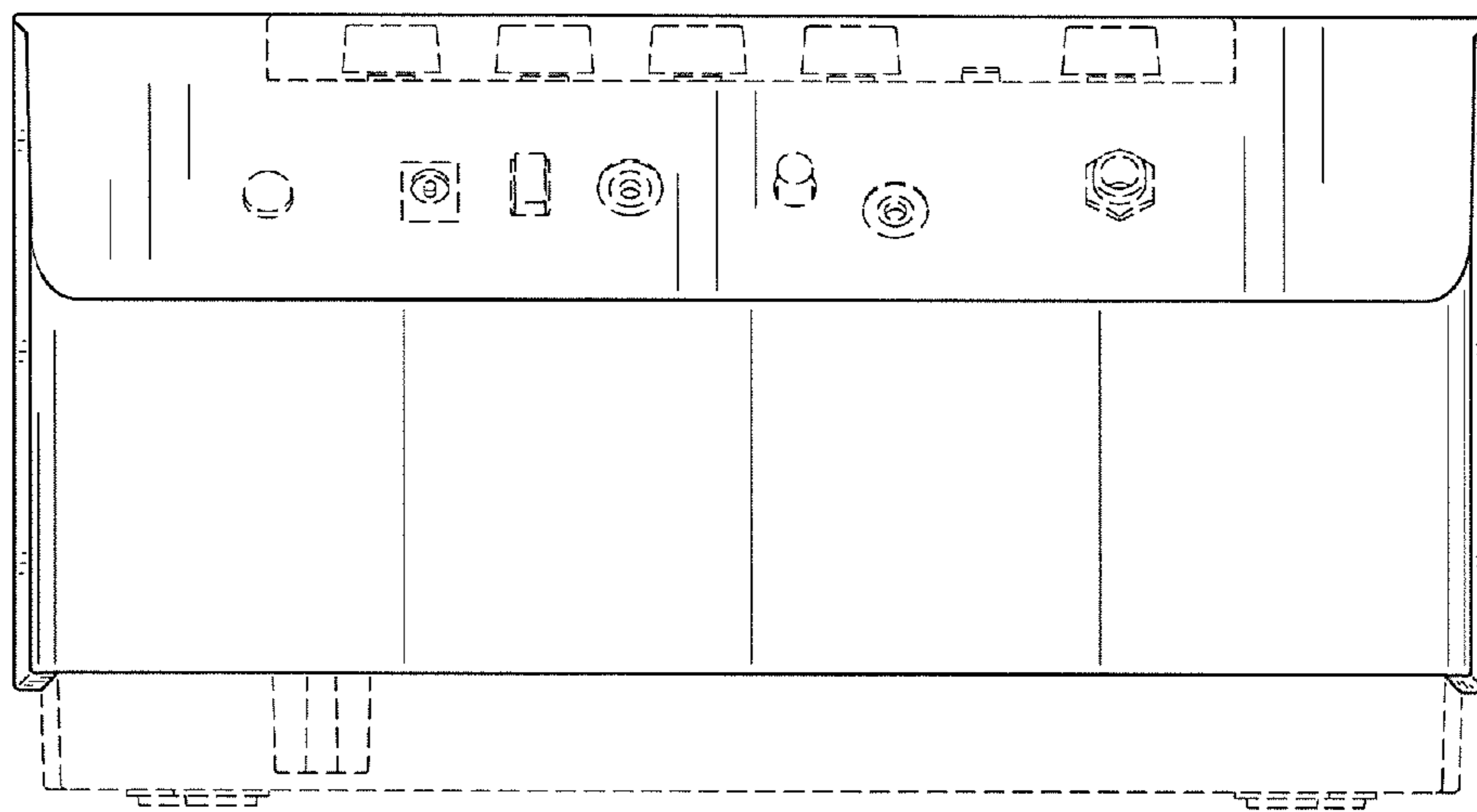


FIG. 4

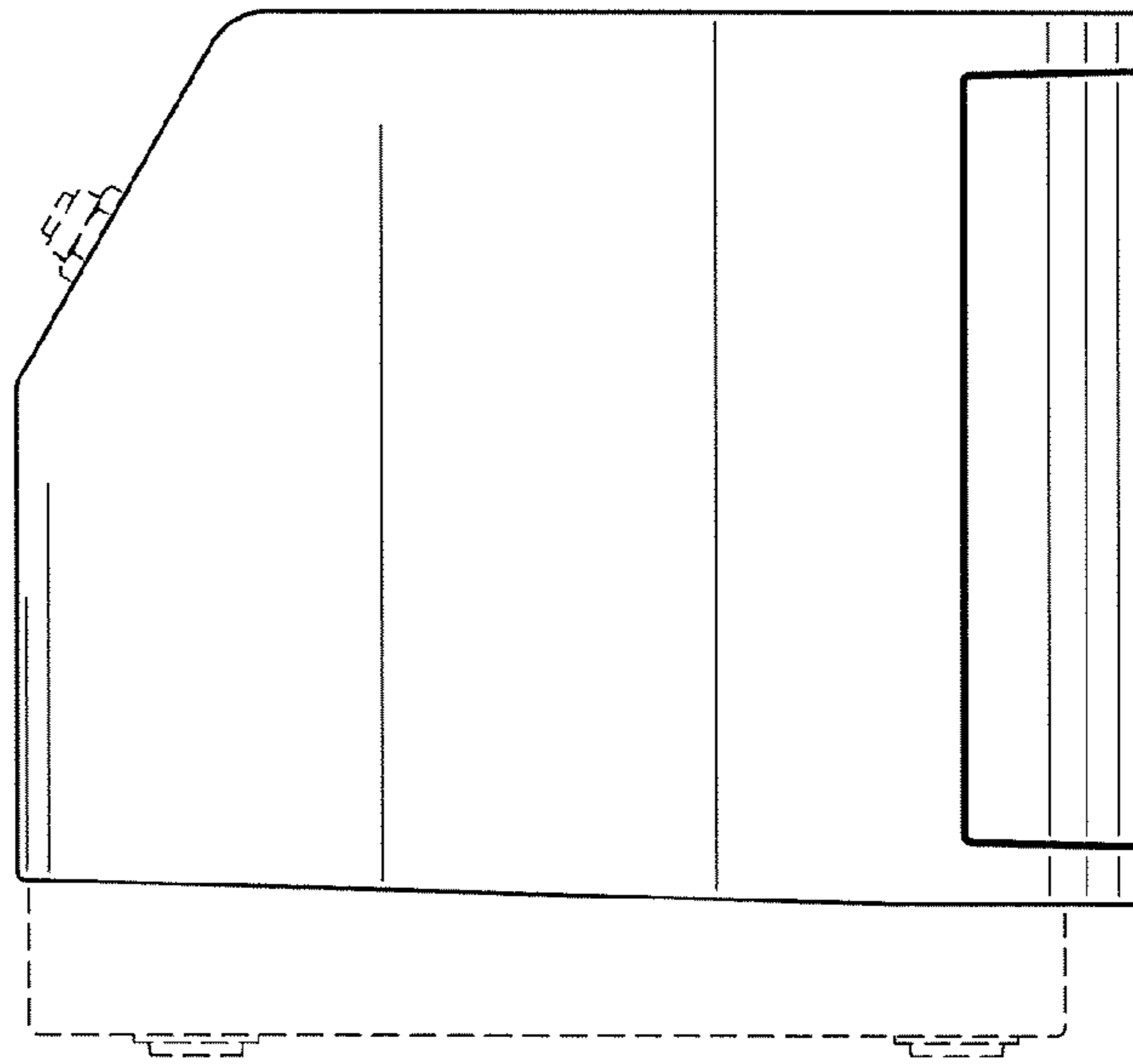


FIG. 5

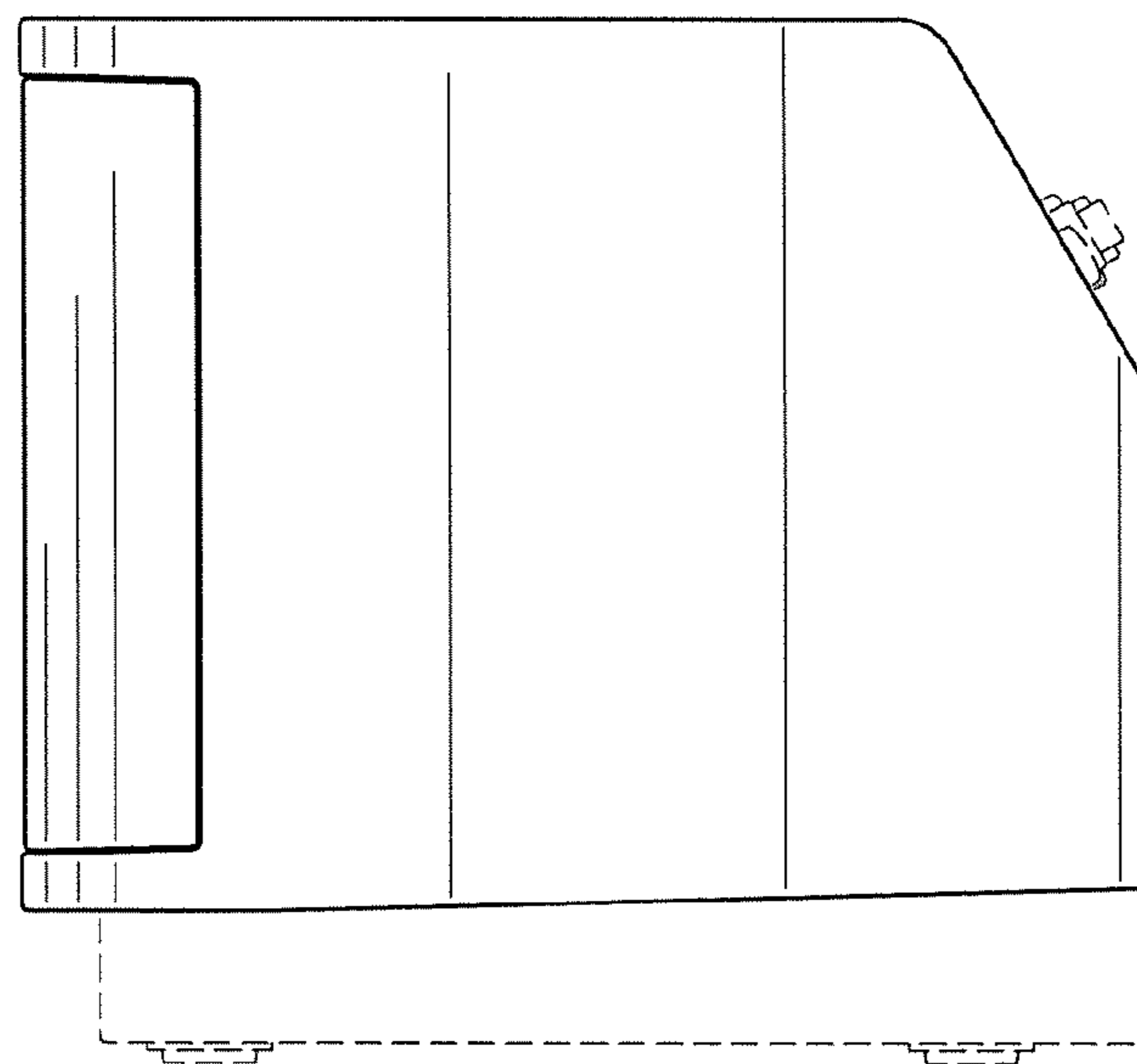


FIG. 6

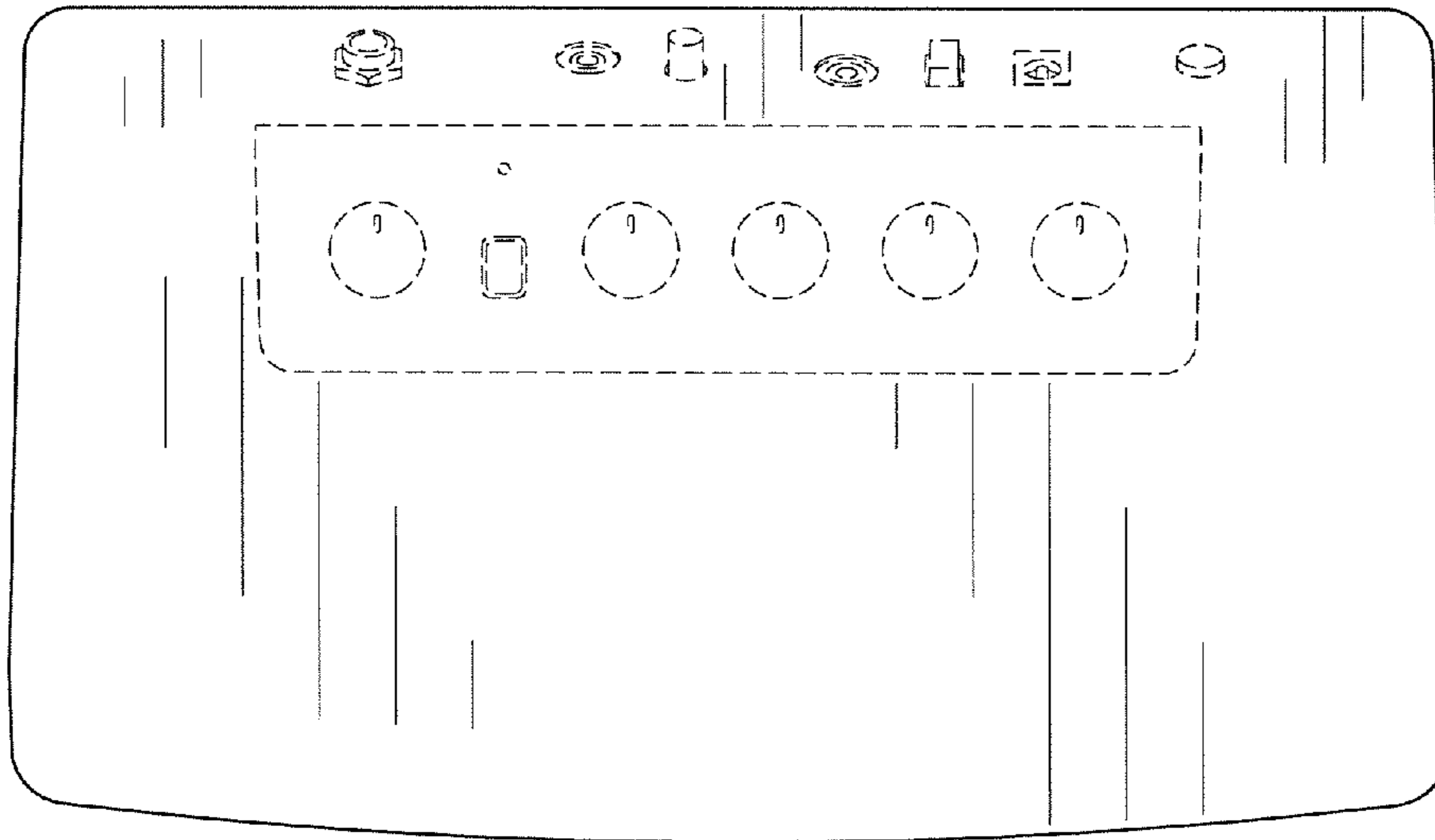


FIG. 7

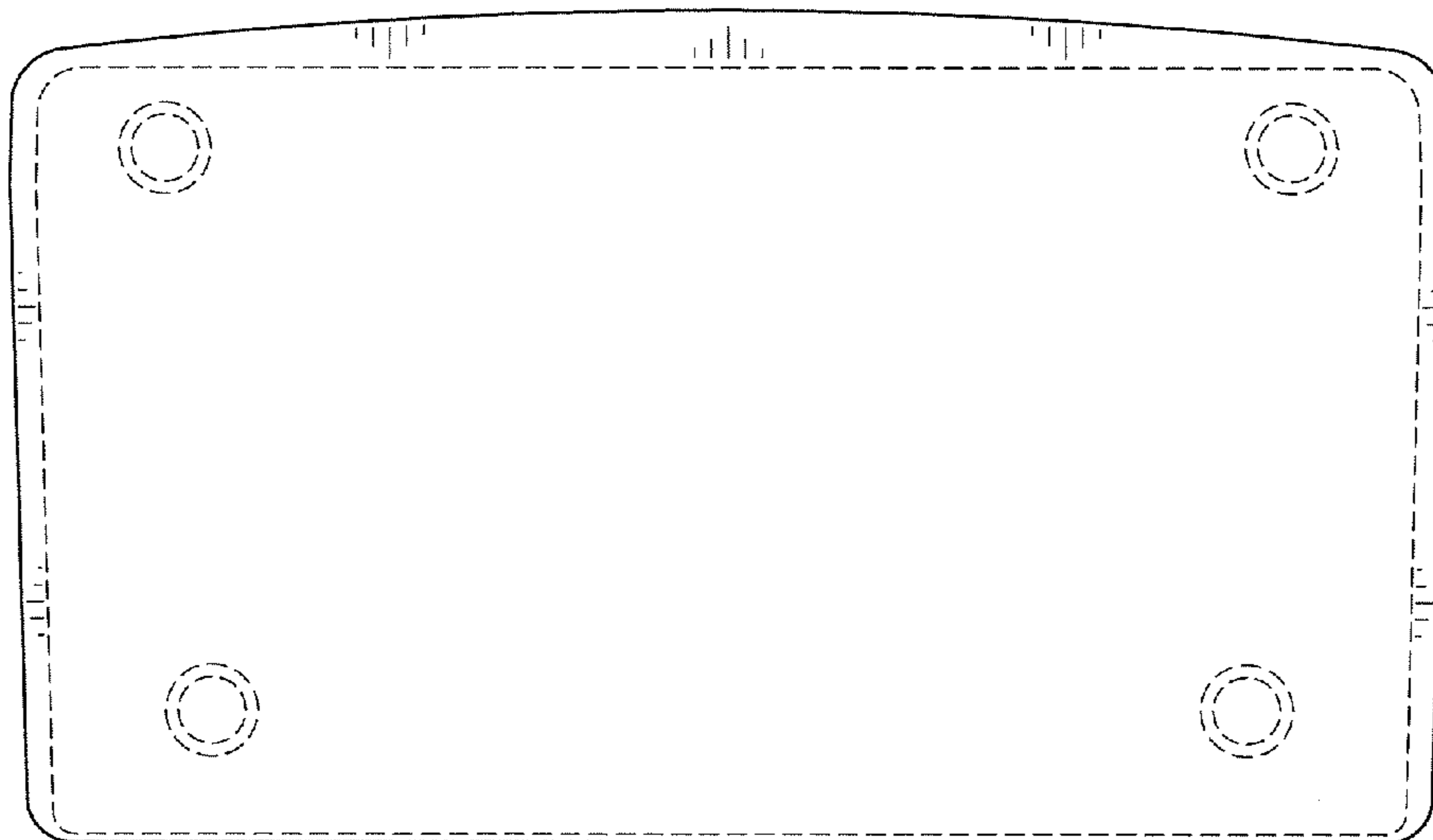


FIG. 8