



US00D705752S

(12) **United States Design Patent**
Son

(10) **Patent No.:** **US D705,752 S**

(45) **Date of Patent:** **** May 27, 2014**

(54) **SPEAKER**

(71) Applicant: **Samsung Electronics Co., Ltd.**,
Suwon-si (KR)
(72) Inventor: **Chae-Joo Son**, Namyangjoo-Si (KR)
(73) Assignee: **Samsung Electronics Co., Ltd.**,
Suwon-si (KR)

(**) Term: **14 Years**

(21) Appl. No.: **29/446,995**

(22) Filed: **Feb. 28, 2013**

(30) **Foreign Application Priority Data**

Aug. 29, 2012 (KR) 30-2012-0041595

(51) **LOC (10) Cl.** **14-01**

(52) **U.S. Cl.**
USPC **D14/209.1; D14/221**

(58) **Field of Classification Search**
USPC D14/204, 218, 172, 210-216, 209.1,
D14/496, 497, 137, 168, 181, 185, 188, 299,
D14/203.1-203.8; 181/143, 147, 148, 150,
181/153, 157, 198, 199, 166, 144;
381/300-303, 306, 332, 333, 336, 345,
381/361-364, 370, 386-388; 455/344-351;
84/609-614, 634-638; 434/307 A,
434/307 R, 309, 318; 352/1, 6-10

See application file for complete search history.

(56) **References Cited**

U.S. PATENT DOCUMENTS

| | | | | |
|-----------|-----|--------|--------------|-----------|
| 4,940,108 | A * | 7/1990 | Selby | 181/145 |
| D319,242 | S * | 8/1991 | Furuno | D14/204 |
| 5,286,928 | A * | 2/1994 | Borland | 181/153 |
| D344,950 | S * | 3/1994 | Lewis | D14/211 |
| 5,802,190 | A * | 9/1998 | Ferren | 381/182 |
| D610,570 | S * | 2/2010 | Upham et al. | D14/209.1 |
| D676,422 | S * | 2/2013 | Onoue | D14/214 |
| D680,096 | S * | 4/2013 | Ryu et al. | D14/214 |
| D681,007 | S * | 4/2013 | Ryu et al. | D14/213 |
| D683,330 | S * | 5/2013 | Ryu et al. | D14/209.1 |

* cited by examiner

Primary Examiner — Prabhakar Deshmukh

(74) *Attorney, Agent, or Firm* — NSIP Law

(57) **CLAIM**

The ornamental design for a speaker, as shown and described.

DESCRIPTION

FIG. 1 is a front perspective view of a speaker;
FIG. 2 is a front view of the speaker of FIG. 1;
FIG. 3 is a rear view of the speaker of FIG. 1;
FIG. 4 is a left-side view of the speaker of FIG. 1;
FIG. 5 is a right-side view of the speaker of FIG. 1;
FIG. 6 is a top plan view of the speaker of FIG. 1; and,
FIG. 7 is a bottom plan view of the speaker of FIG. 1.

1 Claim, 4 Drawing Sheets

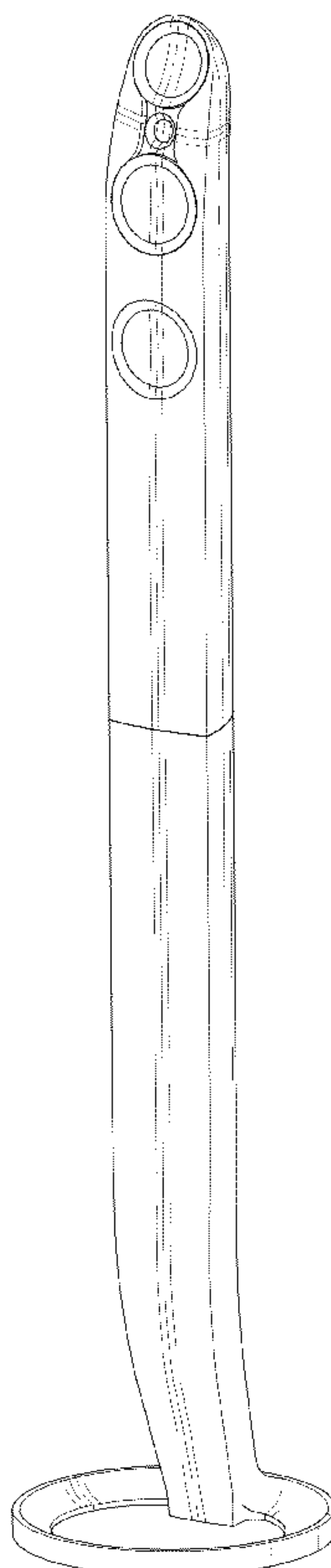


FIG. 1

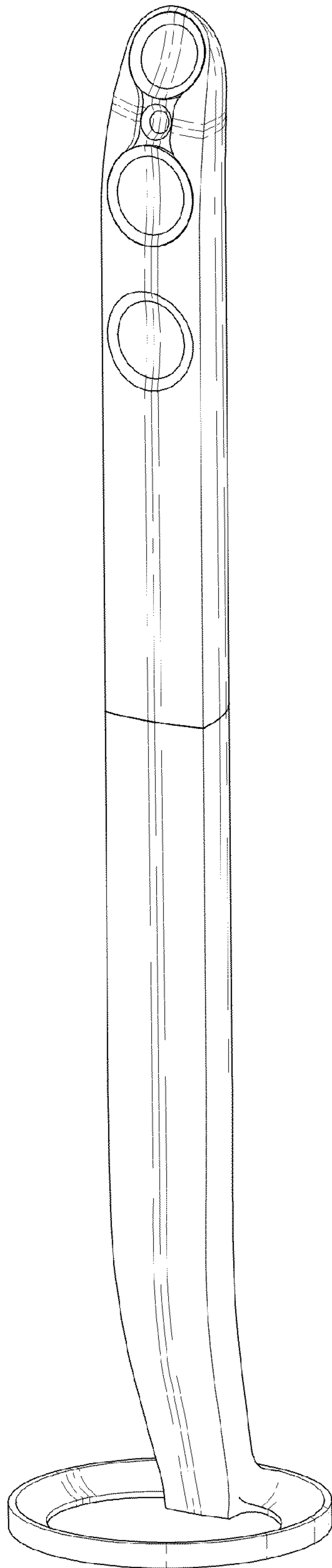


FIG. 2

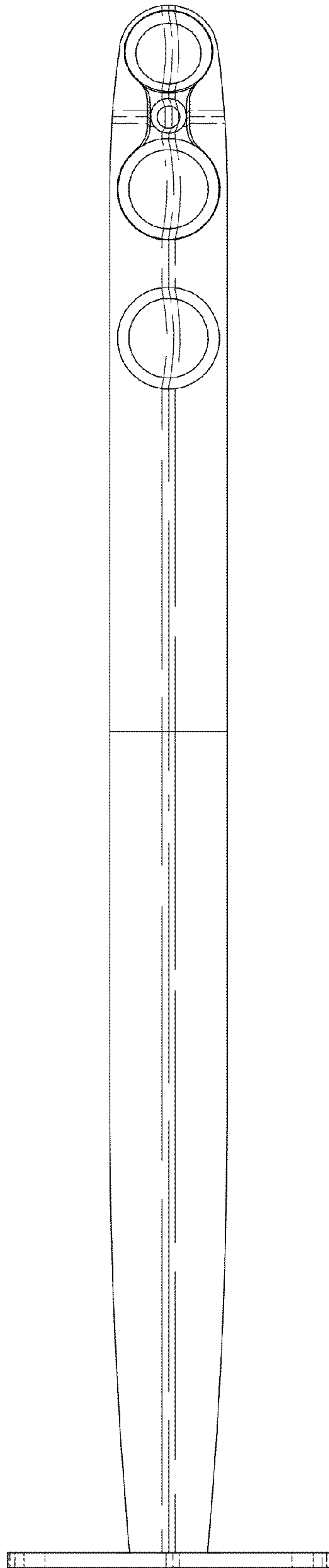


FIG. 3

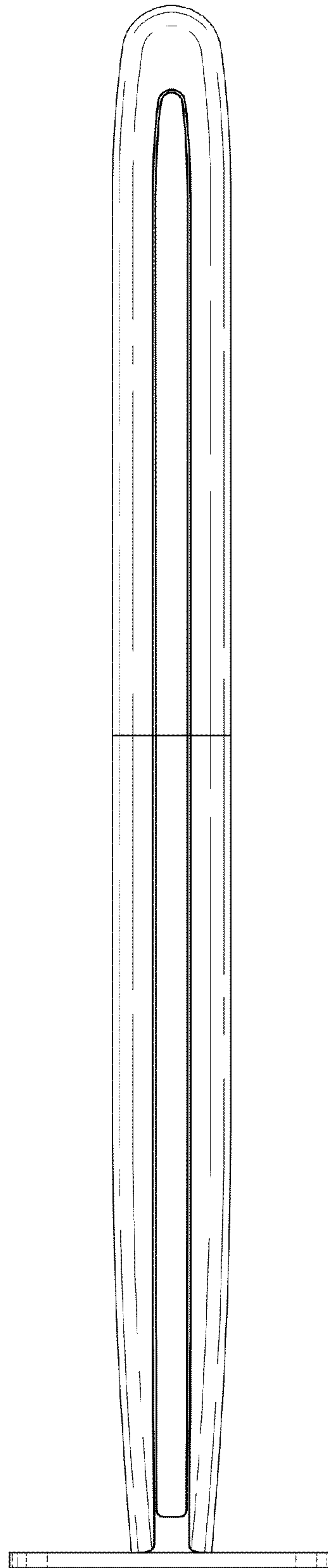


FIG. 4

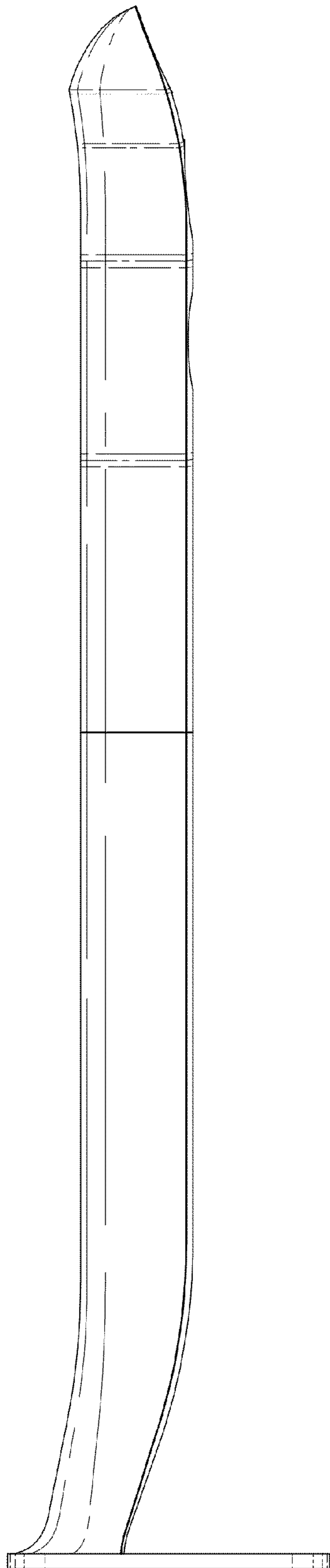


FIG. 5

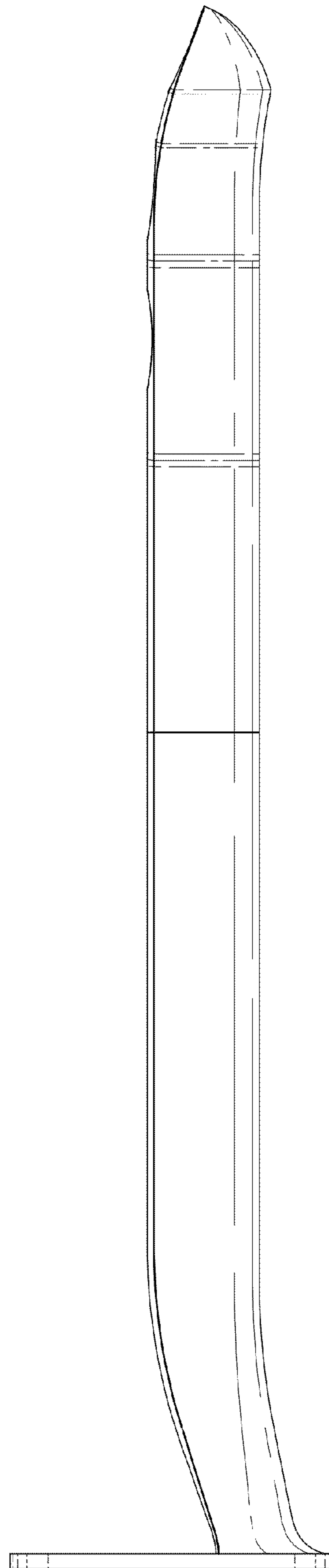


FIG. 6

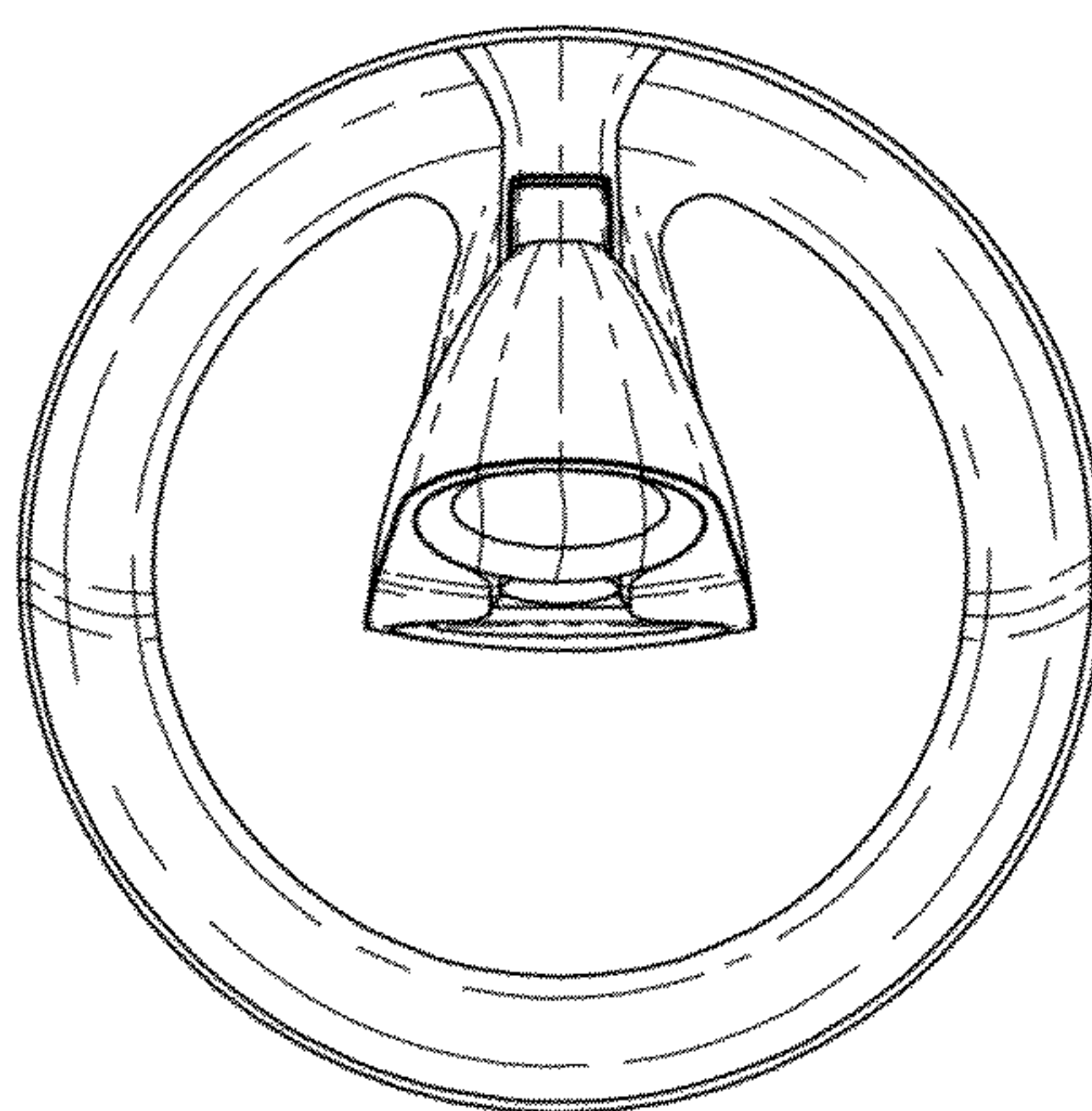


FIG. 7

