



US00D705749S

(12) **United States Design Patent**
Tung et al.

(10) **Patent No.:** **US D705,749 S**

(45) **Date of Patent:** **** May 27, 2014**

(54) **HOLDER OF EARPHONE CORD**

(71) Applicant: **Merry Electronics (Suzhou) Co., Ltd.**,
Suzhou (CN)

(72) Inventors: **Chiu-Yun Tung**, Taichung (TW);
Yu-Lan Liang, Taichung (TW)

(73) Assignee: **Merry Electronics (Suzhou) Co., Ltd.**,
Suzhou (CN)

(**) Term: **14 Years**

(21) Appl. No.: **29/452,745**

(22) Filed: **Apr. 22, 2013**

(51) **LOC (10) Cl.** **14-01**

(52) **U.S. Cl.**

CPC **H04R 1/1033** (2013.01)

USPC **D14/205**

(58) **Field of Classification Search**

CPC H04R 1/1033

USPC D14/205, 223; 381/383, 384; D8/356;

174/135; D21/478, 500, 501, 502;

434/74; 446/120, 121, 124; 43/57.1

See application file for complete search history.

(56) **References Cited**

U.S. PATENT DOCUMENTS

1,236,896	A *	8/1917	Anderson	446/82
2,105,517	A *	1/1938	Auslander	206/257
2,292,140	A *	8/1942	Lofgren	24/130
2,533,341	A *	12/1950	Alfano	242/388
3,019,500	A *	2/1962	Duffin et al.	24/561
3,056,309	A *	10/1962	Horste	474/218
4,721,268	A *	1/1988	Lerner et al.	242/388
D542,123	S *	5/2007	Symons	D8/356
D549,557	S *	8/2007	Mori et al.	D8/356
D575,143	S *	8/2008	Kuo et al.	D8/394
D577,990	S *	10/2008	Andre et al.	D8/395
D587,682	S *	3/2009	Miles	D14/205
D596,927	S *	7/2009	Ting	D8/356
D600,673	S *	9/2009	Kim et al.	D14/205

D603,376	S *	11/2009	Blasko	D14/223
D620,781	S *	8/2010	Weckworth	D8/356
D629,671	S *	12/2010	Ohori et al.	D8/356
D643,419	S *	8/2011	Huang	D14/223
D649,864	S *	12/2011	Symons	D8/356
8,345,913	B2 *	1/2013	Pang et al.	381/384
D676,833	S *	2/2013	Garcia et al.	D14/223
8,447,062	B2 *	5/2013	Lin	381/384
D685,344	S *	7/2013	Merces	D14/205
D688,252	S *	8/2013	Paul	D14/447
D691,581	S *	10/2013	Merces et al.	D14/205

* cited by examiner

Primary Examiner — Paula Greene

(74) *Attorney, Agent, or Firm* — WPAT, PC; Justin King

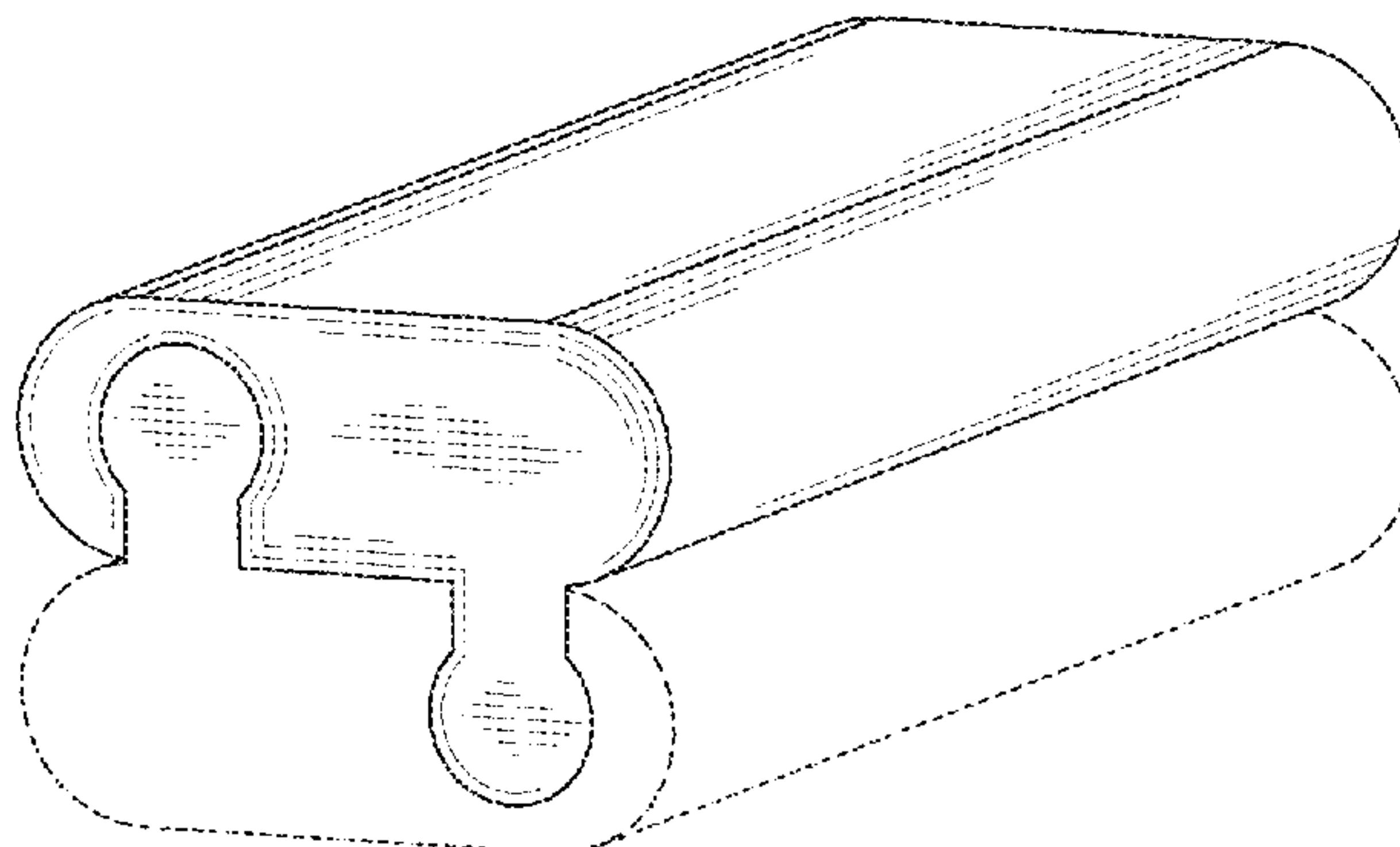
(57) **CLAIM**

The ornamental design for a holder of earphone cord, as shown and described.

DESCRIPTION

FIG. 1 is a perspective view of a holder of earphone cord;
 FIG. 2 is a front elevational view thereof;
 FIG. 3 is a rear elevational view thereof;
 FIG. 4 is a left-side elevational view thereof, the left-side
 elevational view being a mirror image;
 FIG. 5 is a right-side elevational view thereof, the left-side
 elevational view being a mirror image;
 FIG. 6 is a bottom plan view thereof;
 FIG. 7 is a top plan view thereof;
 FIG. 8 is an alternate perspective view showing the environ-
 ment of use when the holder of earphone cord combined with
 the other one;
 FIG. 9 is a perspective view with the bottom; and,
 FIG. 10 is an alternate left-side elevational view showing the
 environment of use when the holder of earphone cord com-
 bined with the other one, with earphones, cord and plug
 shown in broken lines.
 Portions in broken lines are for illustrative purposes only and
 form no part of the claimed design.

1 Claim, 9 Drawing Sheets



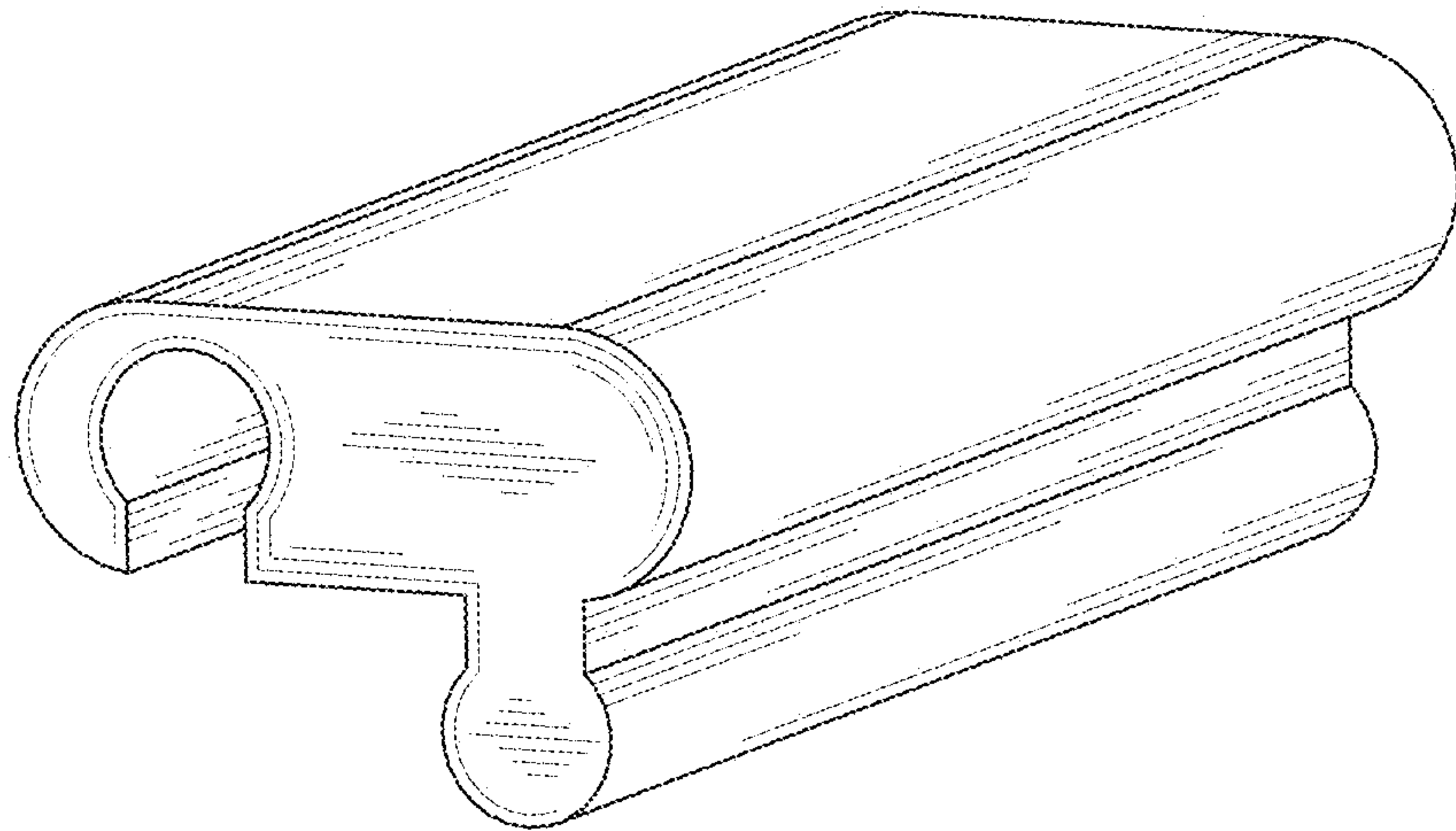


FIG. 1

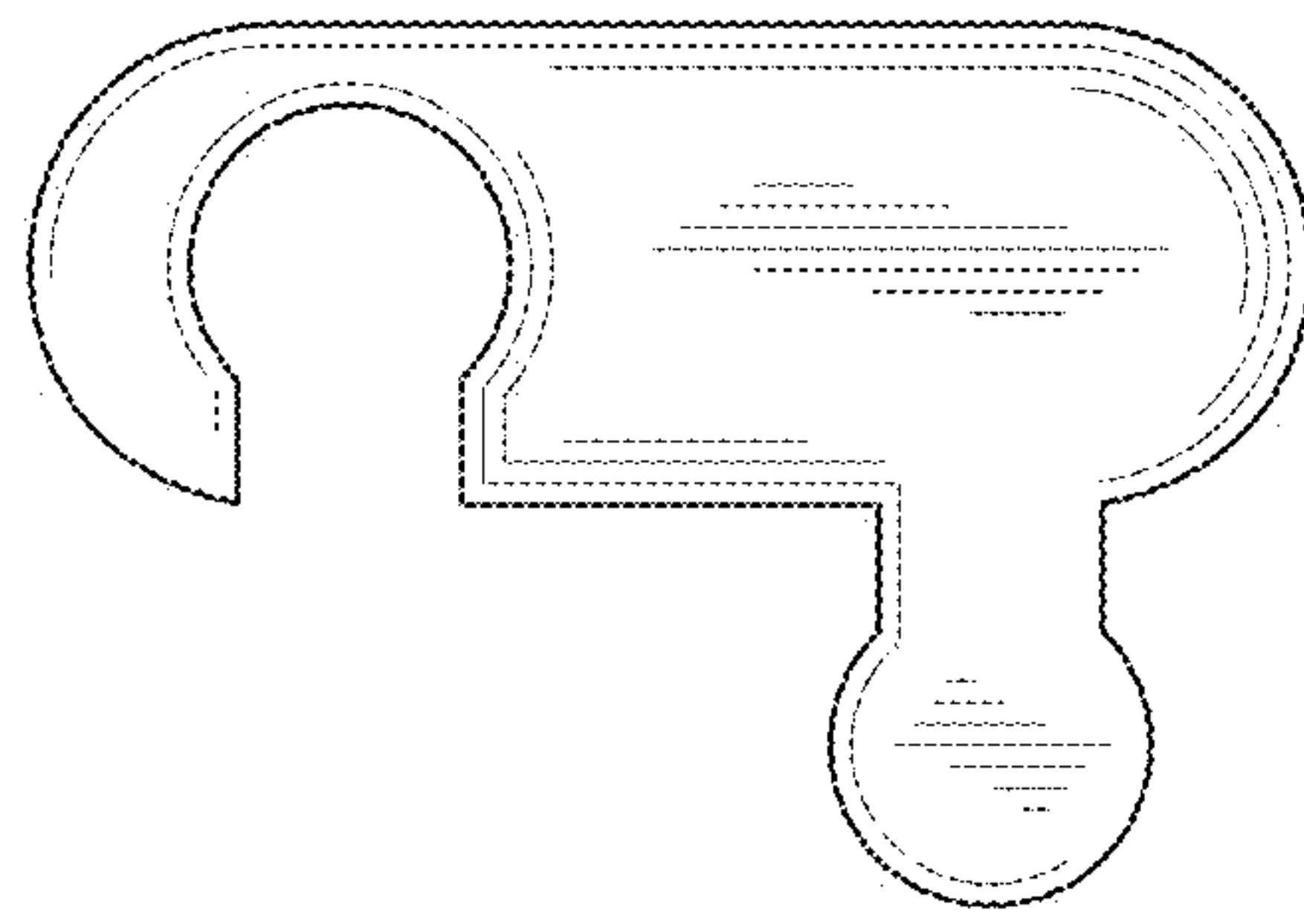


FIG. 2

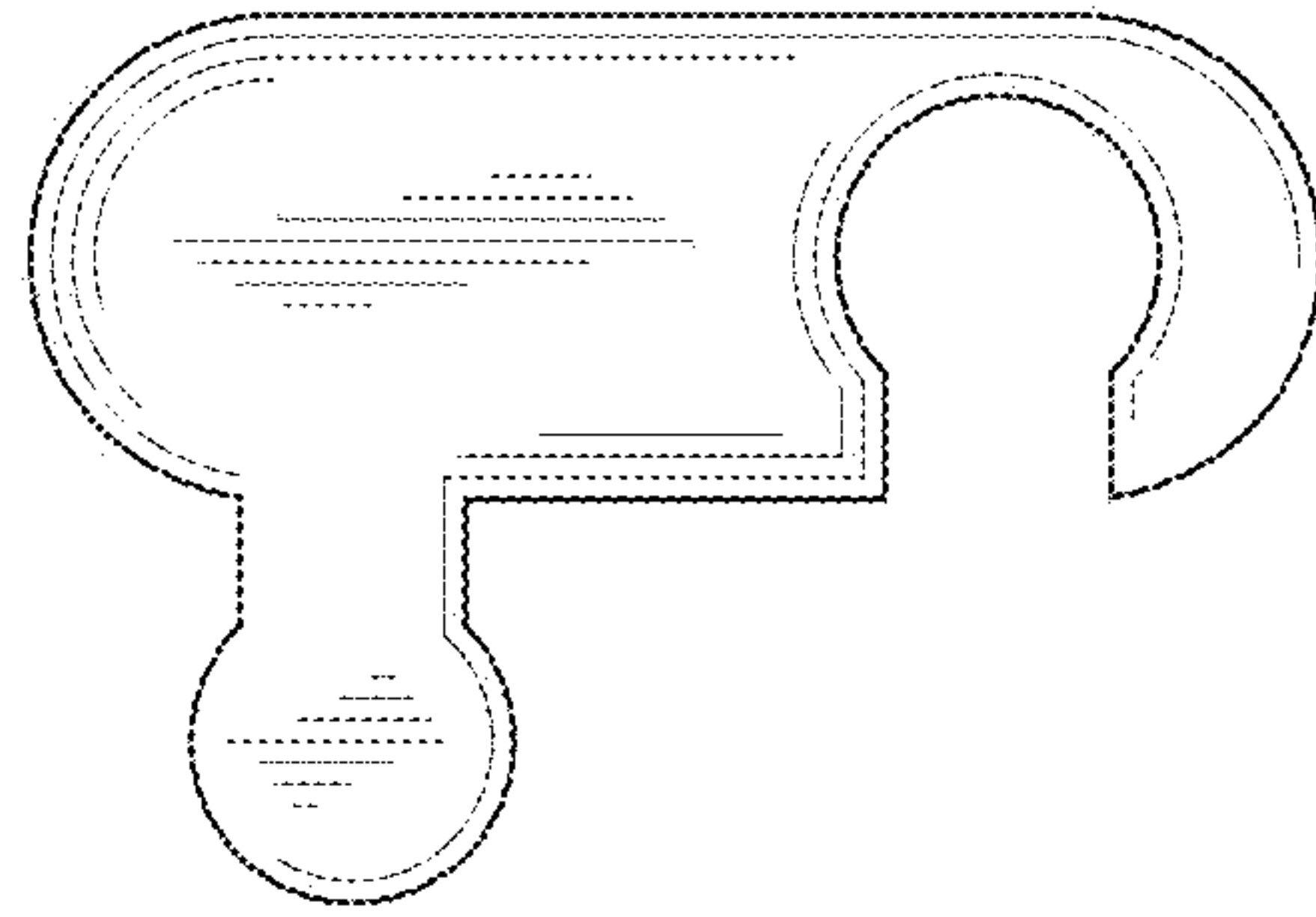


FIG. 3

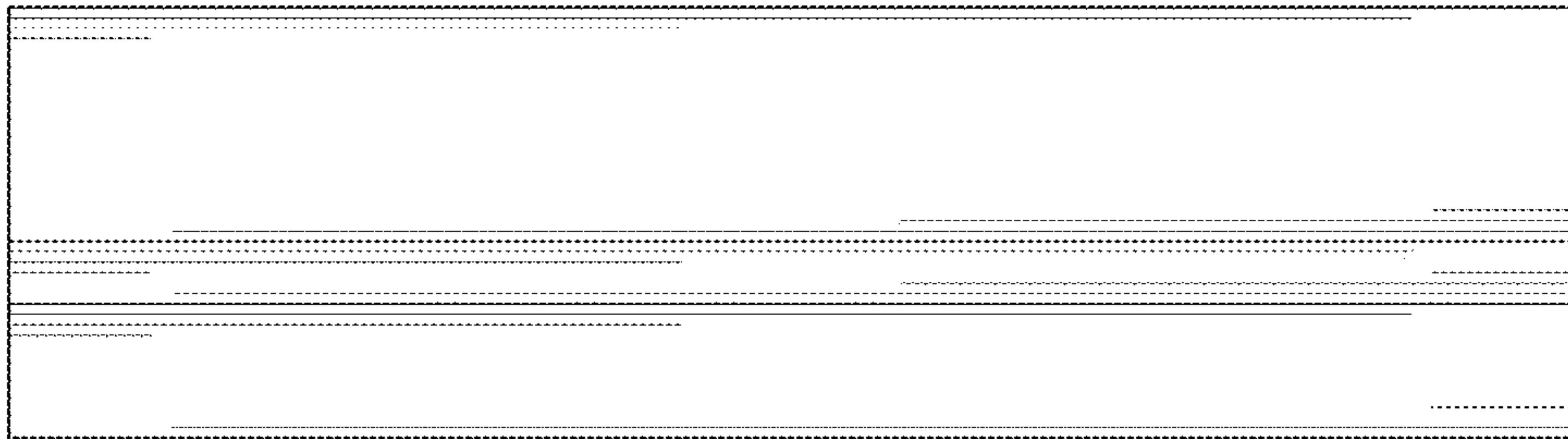


FIG. 4

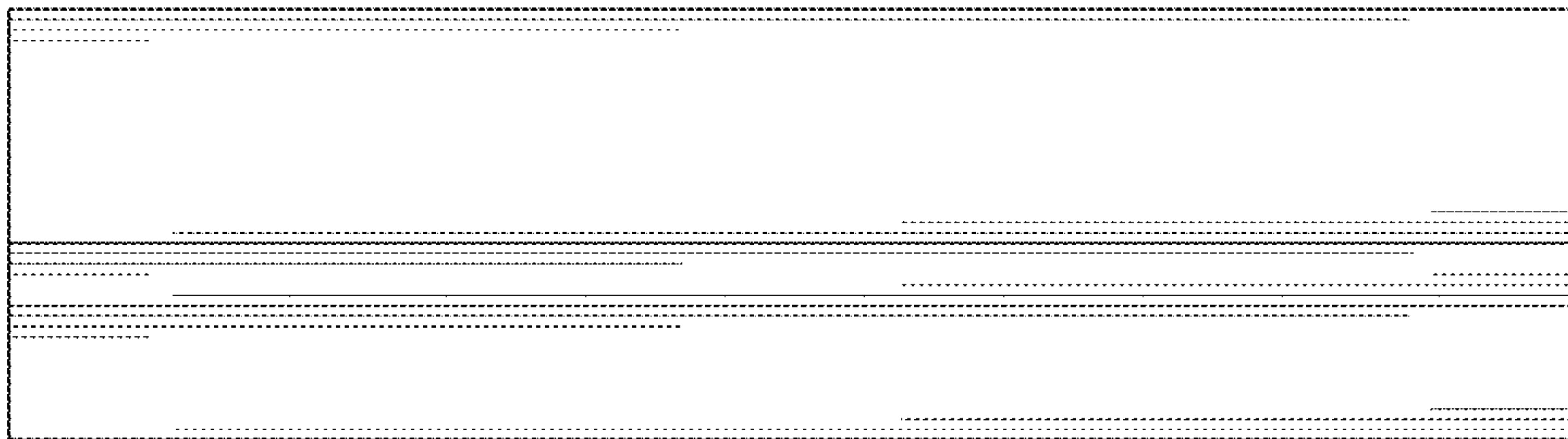


FIG. 5

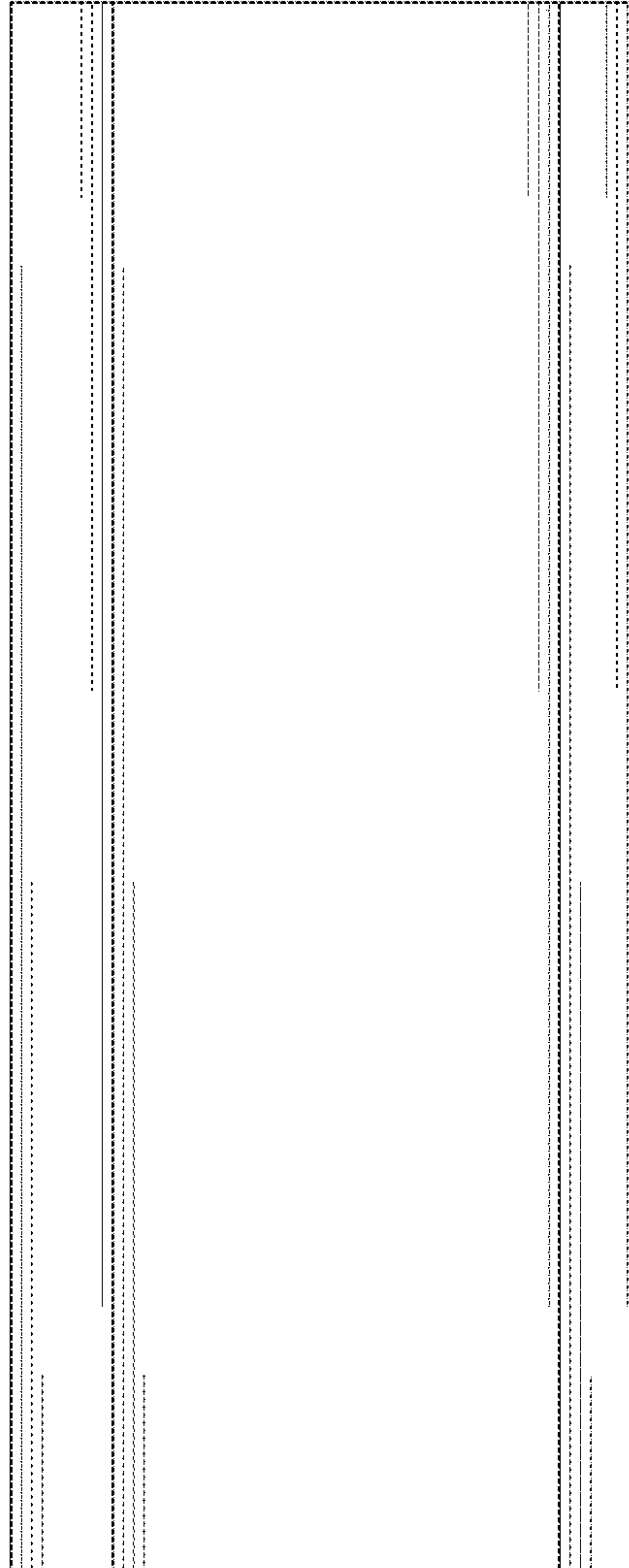


FIG. 6

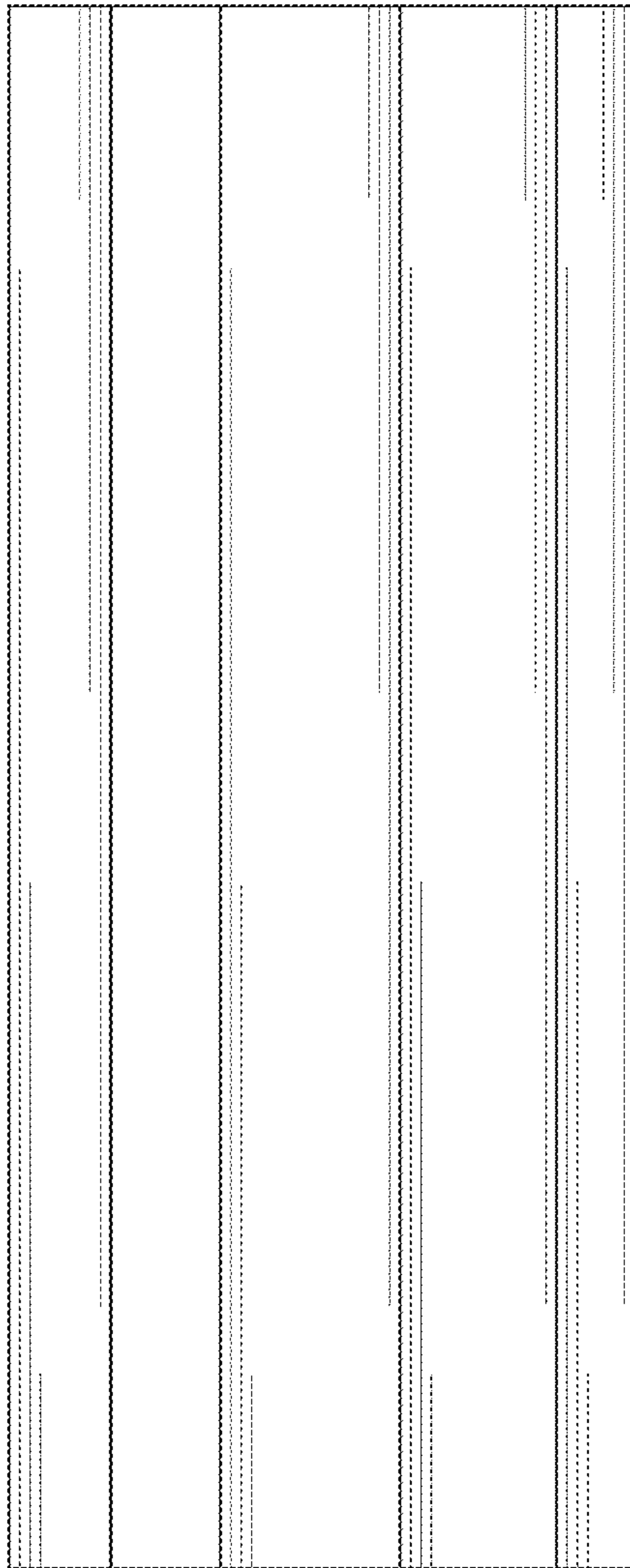


FIG. 7

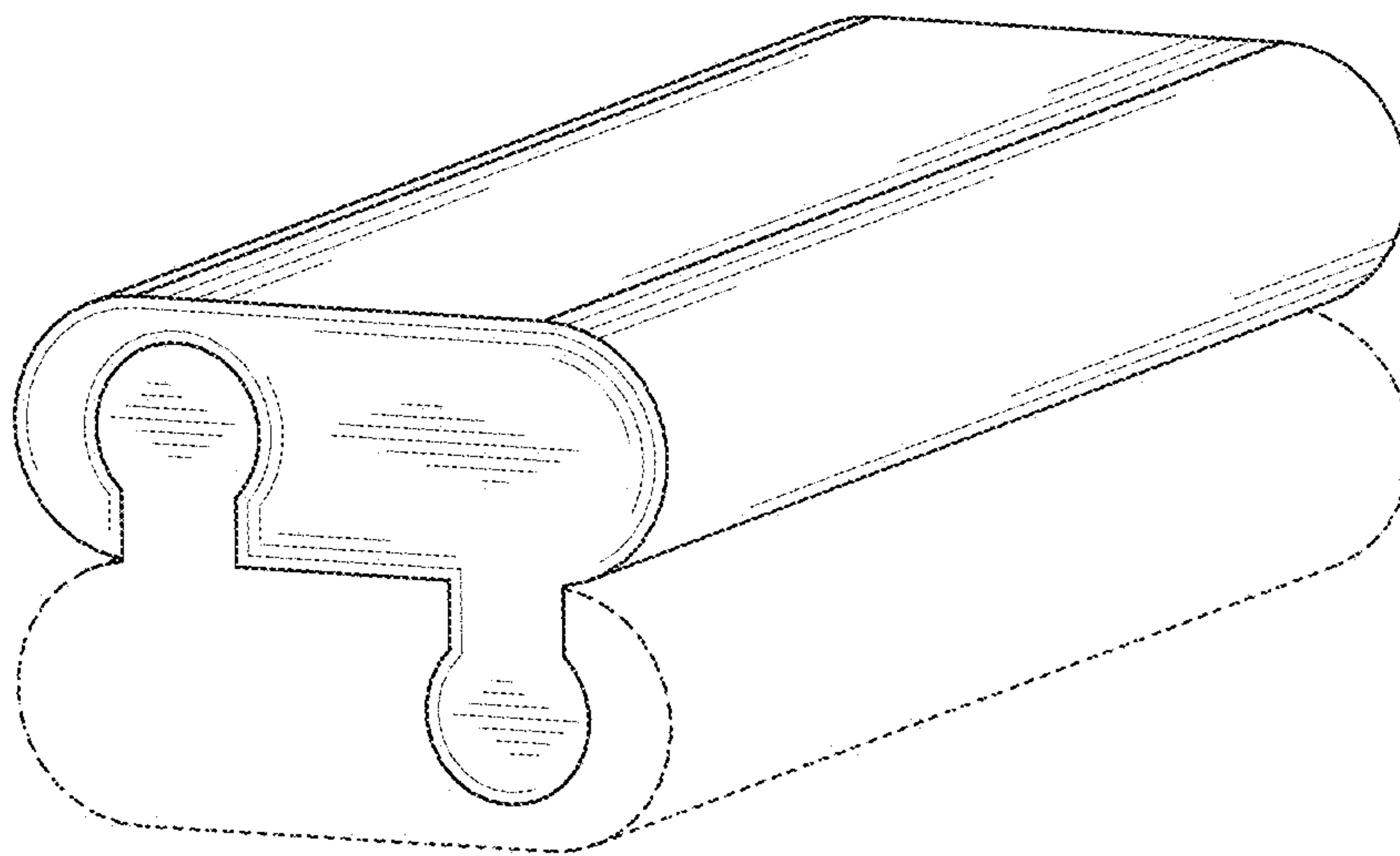


FIG. 8

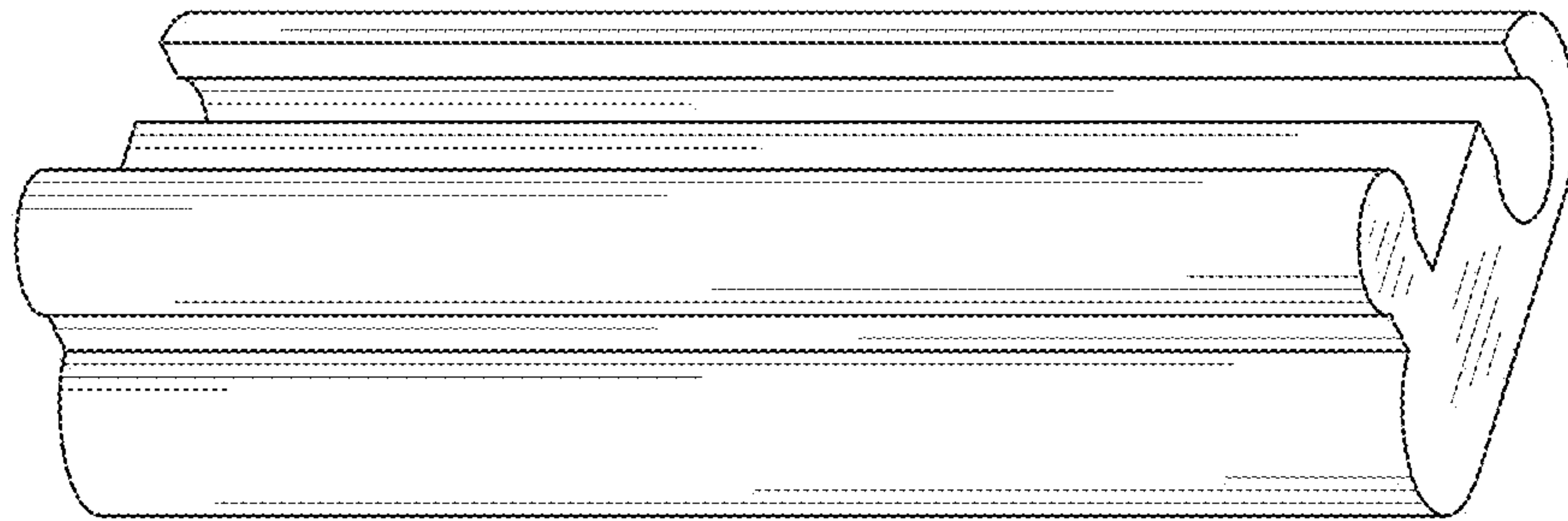


FIG. 9

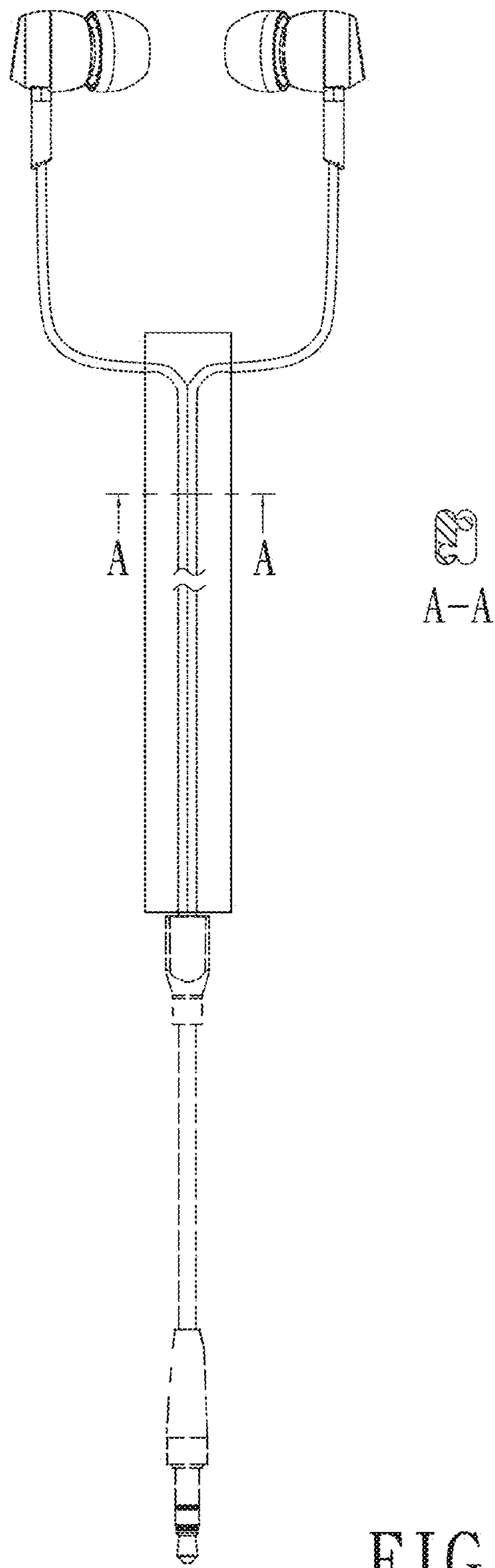


FIG. 10