



US00D705748S

(12) **United States Design Patent**
He

(10) **Patent No.:** **US D705,748 S**

(45) **Date of Patent:** **** May 27, 2014**

(54) **BLUETOOTH RECEIVER**

(71) Applicant: **Shenzhen Xin Ni Da Technology Co., Ltd.**, Guangdong (CN)

(72) Inventor: **Wei He**, Guangxi (CN)

(73) Assignee: **Shenzhen Xin Ni Da Technology Co., Ltd.**, Shenzhen (CN)

(**) Term: **14 Years**

(21) Appl. No.: **29/467,073**

(22) Filed: **Sep. 14, 2013**

(51) **LOC (10) Cl.** **14-03**

(52) **U.S. Cl.**
USPC **D14/155**

(58) **Field of Classification Search**
USPC D14/167, 154, 168, 188, 496, 156, 160,
D14/161, 162, 163, 164, 165, 158, 341, 346,
D14/342, 345, 155, 218, 225; D16/208;
D26/38; 455/351, 350, 575.1, 556.1;
D10/104, 106, 65, 57

See application file for complete search history.

(56) **References Cited**

U.S. PATENT DOCUMENTS

D371,054 S * 6/1996 Henderson D7/624.1

D487,460 S *	3/2004	Lee	D14/368
D511,984 S *	11/2005	Kumagai	D10/104.1
7,046,230 B2 *	5/2006	Zadesky et al.	345/156
D531,157 S *	10/2006	Lheem	D14/138 AB
D560,228 S *	1/2008	Andre et al.	D14/496
D562,264 S *	2/2008	Jeong et al.	D13/164
D585,048 S *	1/2009	Uchimura et al.	D14/155
D598,890 S *	8/2009	Lee et al.	D14/155
D661,249 S *	6/2012	Smith et al.	D13/110
D682,806 S *	5/2013	Smith et al.	D14/155
D687,009 S *	7/2013	Song et al.	D14/155
D693,805 S *	11/2013	Sip et al.	D14/358

* cited by examiner

Primary Examiner — Austin Murphy

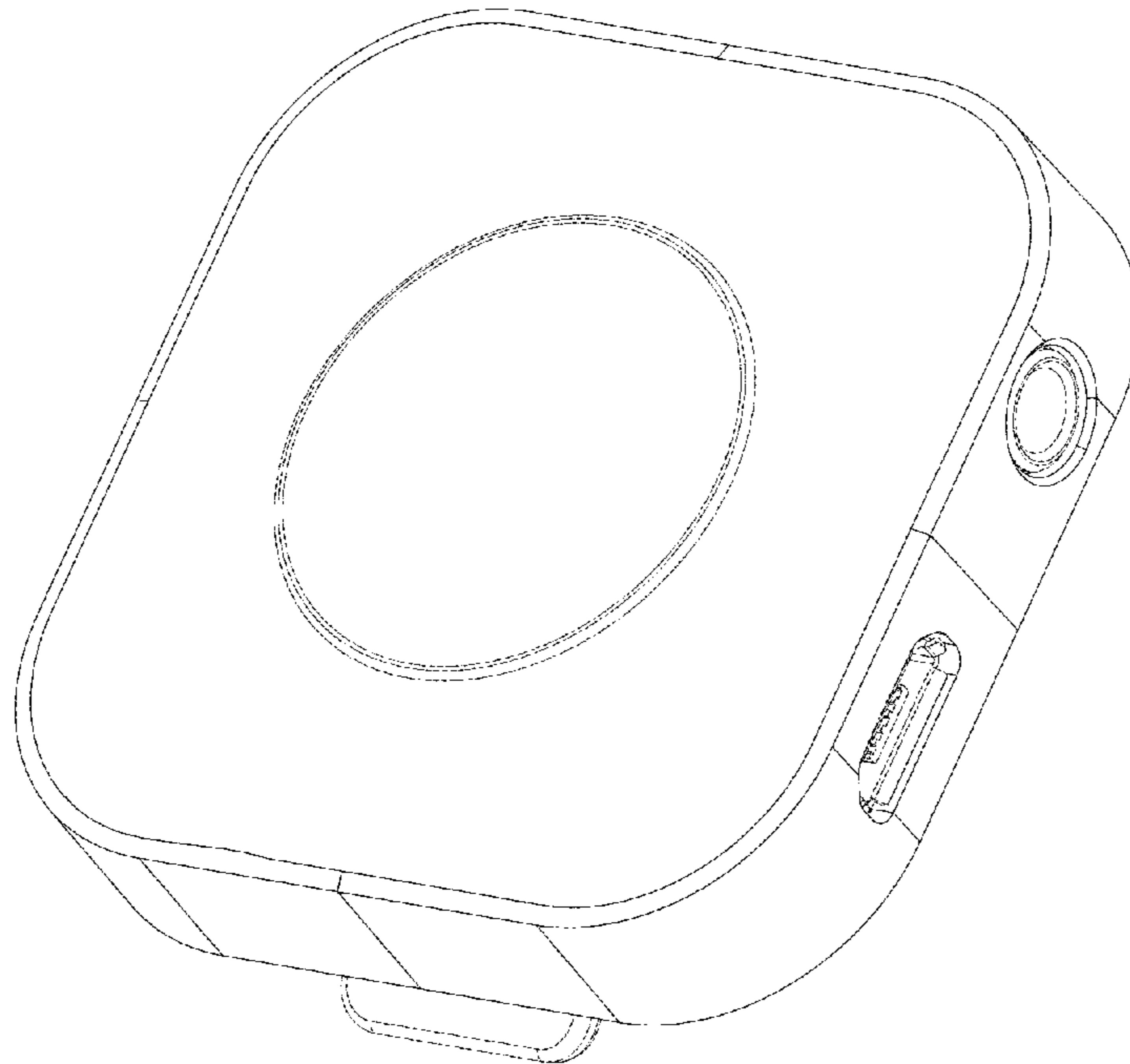
(57) **CLAIM**

The ornamental design for a bluetooth receiver, as shown and described.

DESCRIPTION

FIG. 1 is a first perspective view of a bluetooth receiver showing my new design;
FIG. 2 is a second perspective view thereof;
FIG. 3 is a third perspective view thereof;
FIG. 4 is a fourth perspective view thereof; and,
FIG. 5 is a left side view thereof.

1 Claim, 5 Drawing Sheets



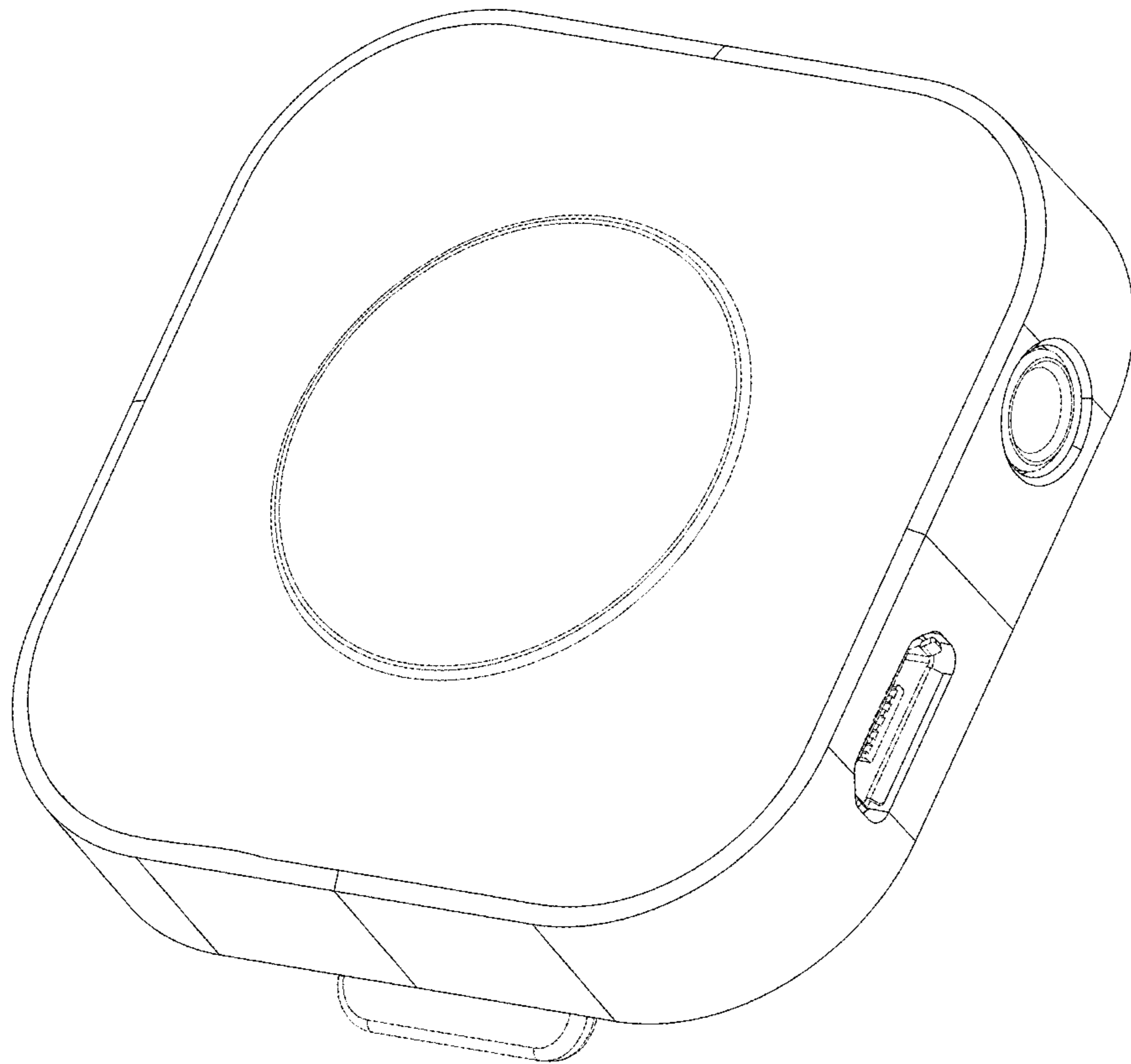


Fig. 1

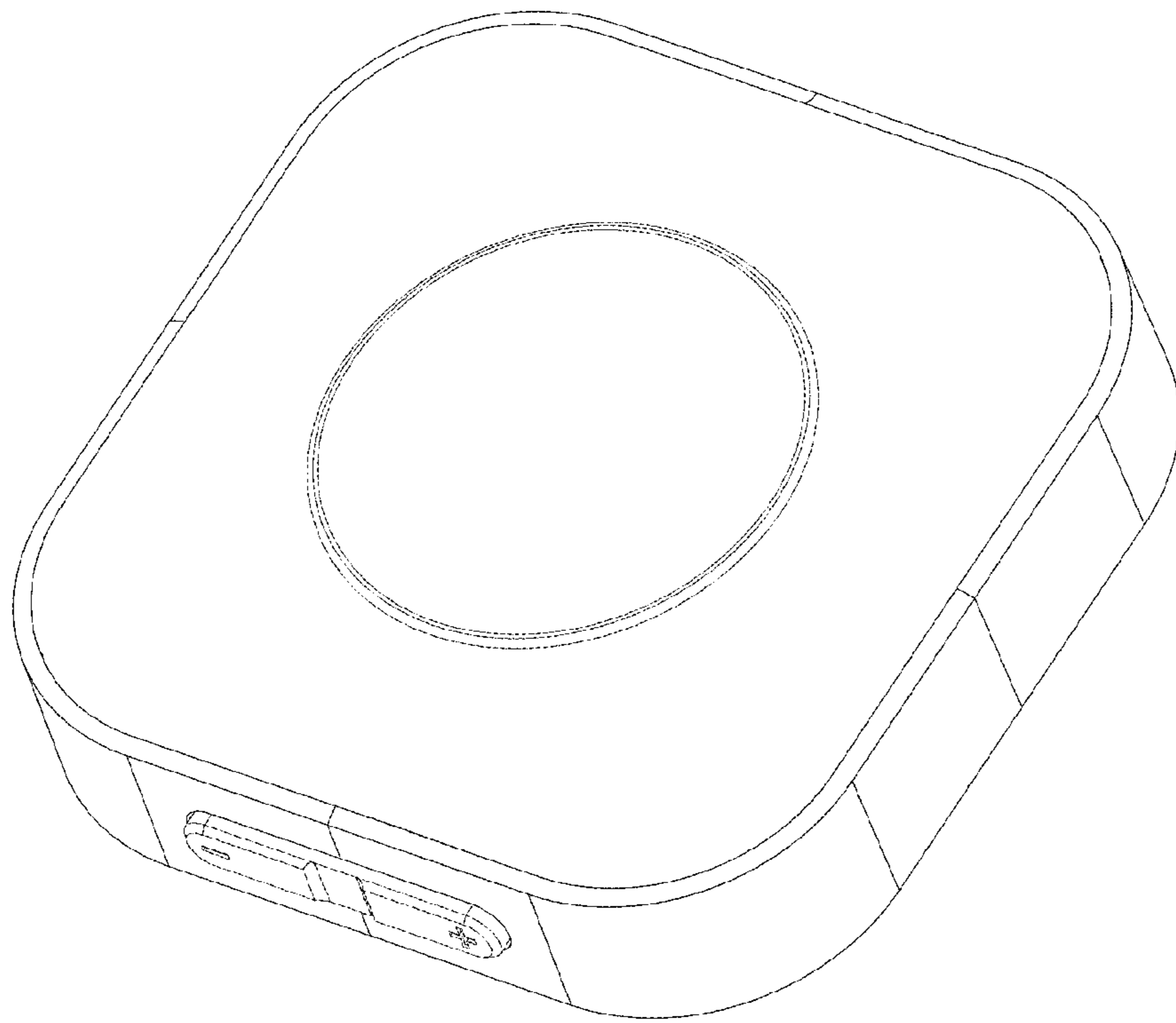


Fig. 2

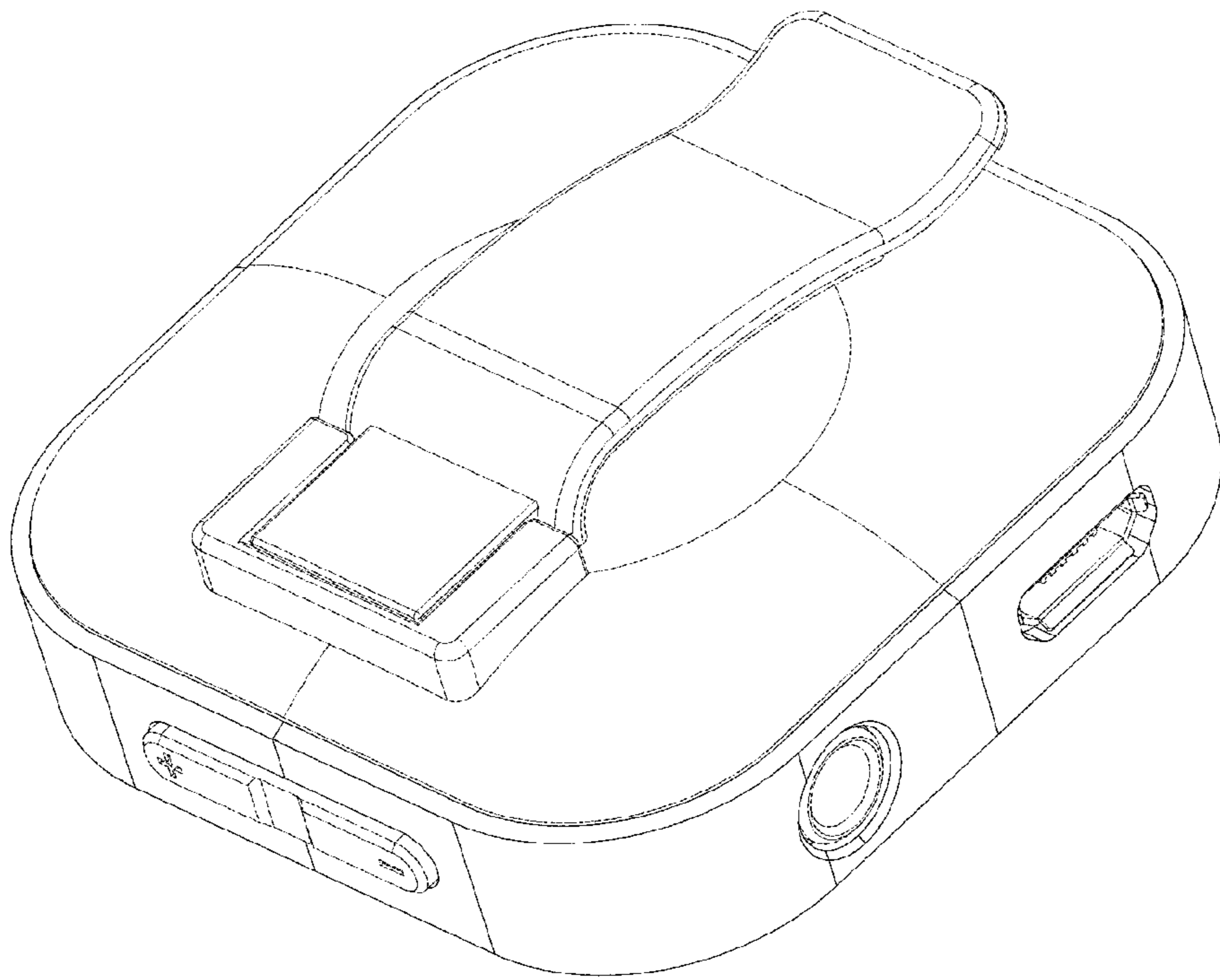


Fig. 3

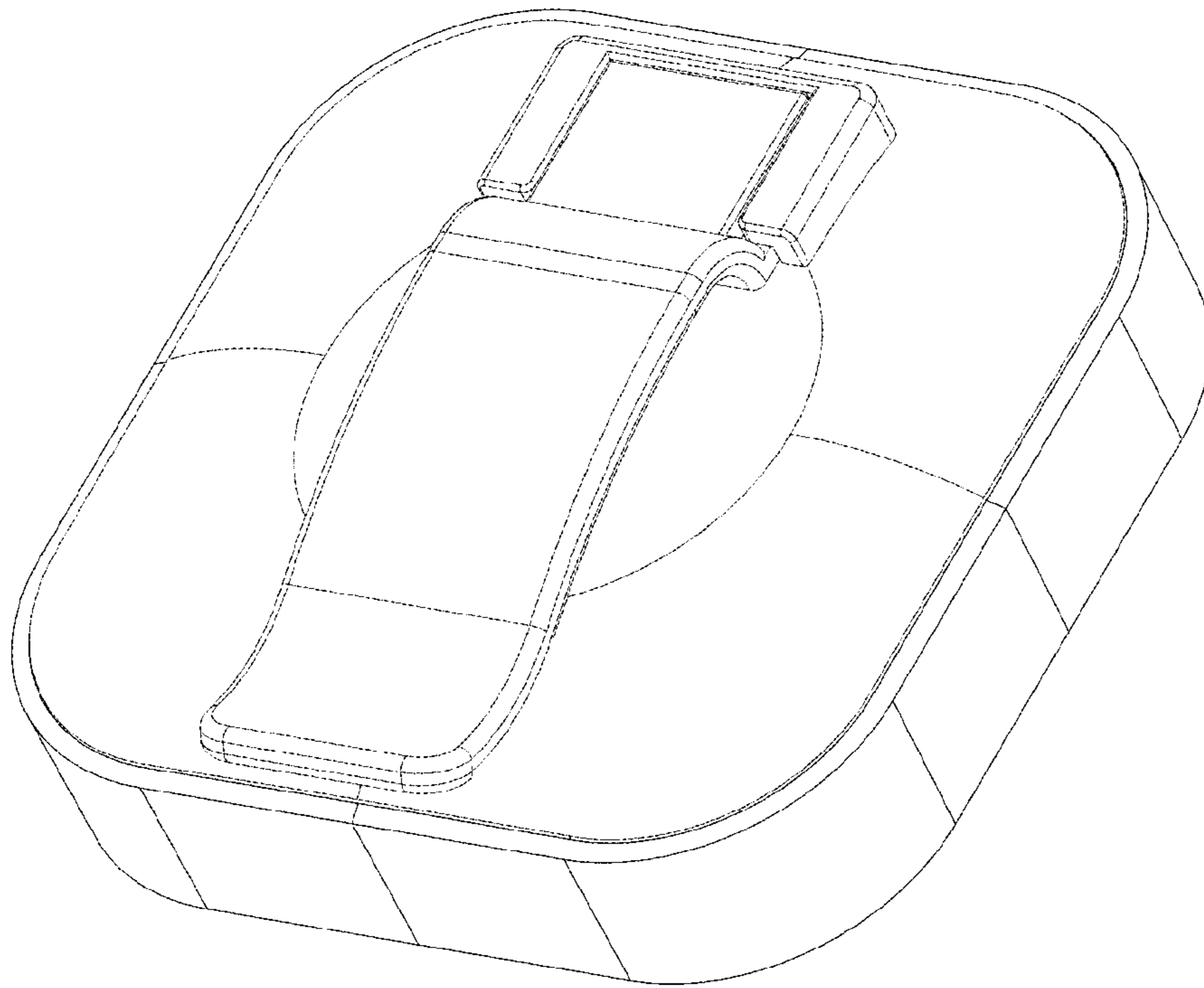


Fig. 4

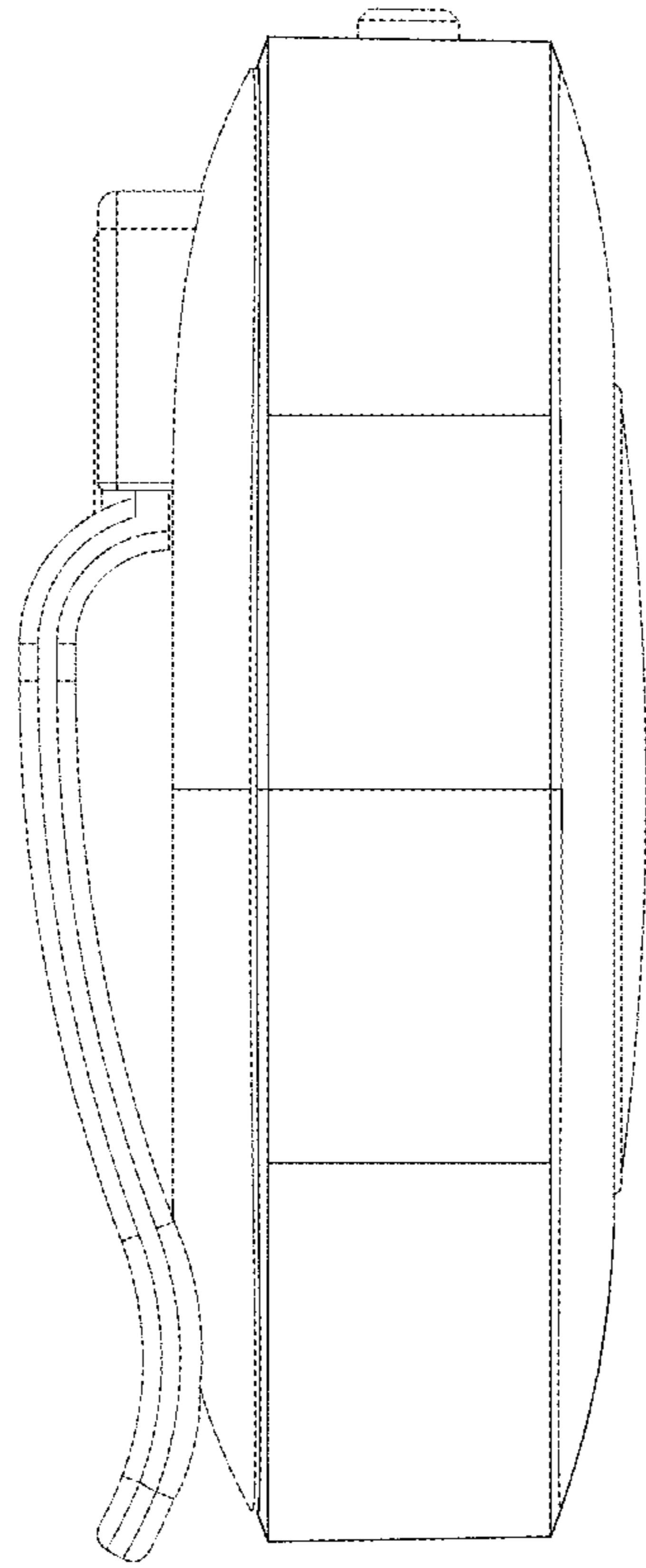


Fig. 5