



US00D705747S

(12) **United States Design Patent**  
**Boucquey et al.**

(10) **Patent No.:** **US D705,747 S**

(45) **Date of Patent:** **\*\* May 27, 2014**

(54) **COMMUNICATION DEVICE**

*Primary Examiner* — Bridget L Eland

(75) Inventors: **Thomas D Boucquey**, Chicago, IL (US);  
**Richardo Eduardo Hugo Flores**  
**Meneses**, Chicago, IL (US); **William H**  
**Robertson, Jr.**, Fort Lauderdale, FL  
(US)

(57) **CLAIM**

The ornamental design for a communication device, as shown and described.

(73) Assignee: **Motorola Mobility LLC**, Libertyville,  
IL (US)

**DESCRIPTION**

(\*\*) Term: **14 Years**

(21) Appl. No.: **29/426,824**

(22) Filed: **Jul. 11, 2012**

(51) **LOC (10) Cl.** ..... **14-03**

(52) **U.S. Cl.**  
USPC ..... **D14/138 G**

(58) **Field of Classification Search**  
USPC ..... D14/138 R, 138 AD, 138 AC, 138 C,  
D14/138 G, 137, 147, 218, 341-347,  
D14/247-248; 455/566, 575.1, 575.3, 575.4  
See application file for complete search history.

FIG. 1 is a front perspective view of a first embodiment of an ornamental design for a communication device;  
FIG. 2 is a rear perspective view of the first embodiment thereof;  
FIG. 3 is a front view of the first embodiment thereof;  
FIG. 4 is a rear view of the first embodiment thereof;  
FIG. 5 is a first side view of the first embodiment thereof;  
FIG. 6 is a second side view of the first embodiment thereof;  
FIG. 7 is a top view of the first embodiment thereof; and  
FIG. 8 is a bottom view of the first embodiment thereof.  
FIG. 9 is a front perspective view of a second embodiment of an ornamental design for a communication device;  
FIG. 10 is a rear perspective view of the second embodiment thereof;  
FIG. 11 is a front view of the second embodiment thereof;  
FIG. 12 is a rear view of the second embodiment thereof;  
FIG. 13 is a first side view of the second embodiment thereof;  
FIG. 14 is a second side view of the second embodiment thereof;  
FIG. 15 is a top view of the second embodiment thereof; and  
FIG. 16 is a bottom view of the second embodiment thereof.  
The broken lines shown in FIGS. 1-8, that are immediately adjacent to the shaded areas, and define unshaded regions, represent the bounds of the first embodiment, while all other broken lines are directed to environment and are for illustrative purposes only; the broken lines form no part of the first embodiment.

(56) **References Cited**

**U.S. PATENT DOCUMENTS**

D493,156 S \* 7/2004 Hamann et al. .... D14/138 AD  
D550,187 S \* 9/2007 Lee et al. .... D14/138 AD

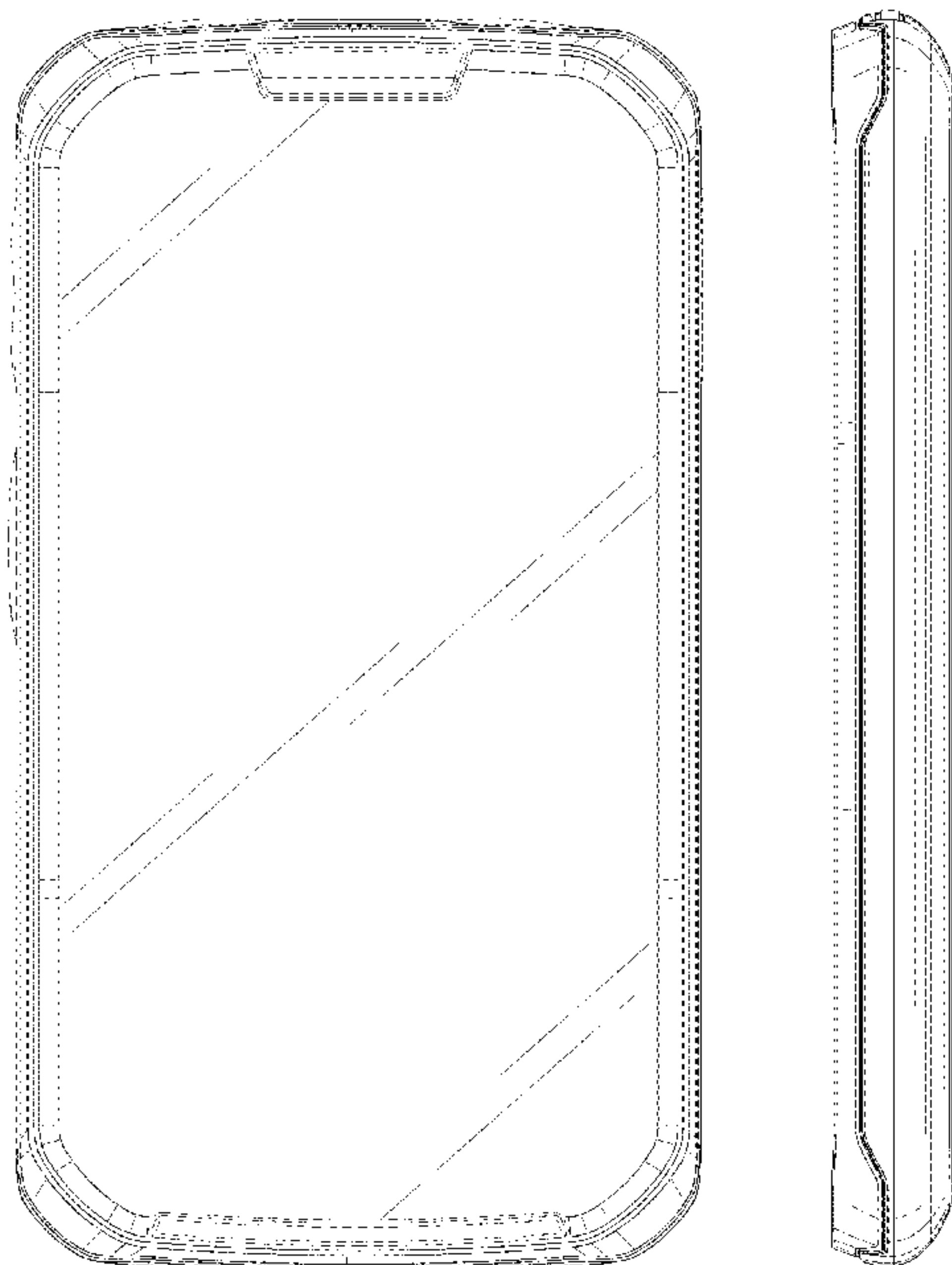
(Continued)

**OTHER PUBLICATIONS**

Motorola Photon 4G, announced Jun. 2011, [online], [retrieved on Aug. 19, 2011]. Retrieved from Internet ,<URL: <http://www.gsmarena.com>>.\*

(Continued)

**1 Claim, 12 Drawing Sheets**



(56)

References Cited

U.S. PATENT DOCUMENTS

D583,344 S \* 12/2008 Sohn et al. .... D14/138 AD  
 D601,122 S \* 9/2009 Hibino et al. .... D14/203.7  
 D608,331 S \* 1/2010 Kim et al. .... D14/138 AC  
 D611,030 S \* 3/2010 Hirano ..... D14/138 G  
 D617,758 S \* 6/2010 Zhao ..... D14/138 AD  
 D629,779 S \* 12/2010 Ahn et al. .... D14/138 G  
 D636,766 S \* 4/2011 Page ..... D14/247  
 D639,261 S 6/2011 Garnham et al.  
 D640,219 S 6/2011 Sutherland et al.  
 D657,336 S \* 4/2012 Nilsen et al. .... D14/138 G  
 D664,517 S \* 7/2012 Sutherland et al. .... D14/138 G  
 D669,892 S \* 10/2012 Hofer et al. .... D14/341  
 D675,181 S \* 1/2013 Morgenroth et al. .... D14/138 G  
 D675,204 S \* 1/2013 Hofer et al. .... D14/341  
 D675,205 S \* 1/2013 Hofer et al. .... D14/341  
 D676,036 S \* 2/2013 Chang et al. .... D14/250  
 D678,232 S \* 3/2013 Harmon et al. .... D14/138 G  
 D680,984 S \* 4/2013 Harmon et al. .... D14/138 G  
 D682,245 S \* 5/2013 Harmon et al. .... D14/138 G  
 D683,322 S \* 5/2013 Derby et al. .... D14/138 G  
 D685,338 S \* 7/2013 Park et al. .... D14/138 G  
 D687,004 S \* 7/2013 Behling ..... D14/138 G  
 D687,821 S \* 8/2013 Lee et al. .... D14/341

D688,221 S \* 8/2013 Zuffo et al. .... D14/138 G  
 D688,222 S \* 8/2013 Fujimura et al. .... D14/138 G  
 2008/0297537 A1\* 12/2008 Ishikawa et al. .... 345/690

OTHER PUBLICATIONS

Motorola XT760, announced Jun. 2012, [online], [retrieved on Aug. 21, 2012]. Retrieved from Internet ,<URL: <http://www.gsmarena.com>>.\*  
 Michael J. Harmon, et al, "Communication Device", Jan. 23, 2012, U.S. Appl. No. 29/411,510.  
 Ryan M. Nilsen, et al, "Communication Device", May 13, 2011, U.S. Appl. No. 29/391,807.  
 Cheol Woo Park, et al, "Communication Device", Apr. 17, 2012, U.S. Appl. No. 29/418,492.  
 Ye Xu, et al, "Communication Device", Jul. 27, 2010, U.S. Appl. No. 29/366,531.  
 Daniel Mota Veiga, et al, "Communication Device", Apr. 28, 2011, U.S. Appl. No. 29/390,661.  
 Cheol Woo Park, et al, "Communication Device", Dec. 7, 2011, U.S. Appl. No. 29/408,145.  
 Cheol Woo Park, et al, "Communication Device", Apr. 11, 2012, U.S. Appl. No. 29/417,968.

\* cited by examiner

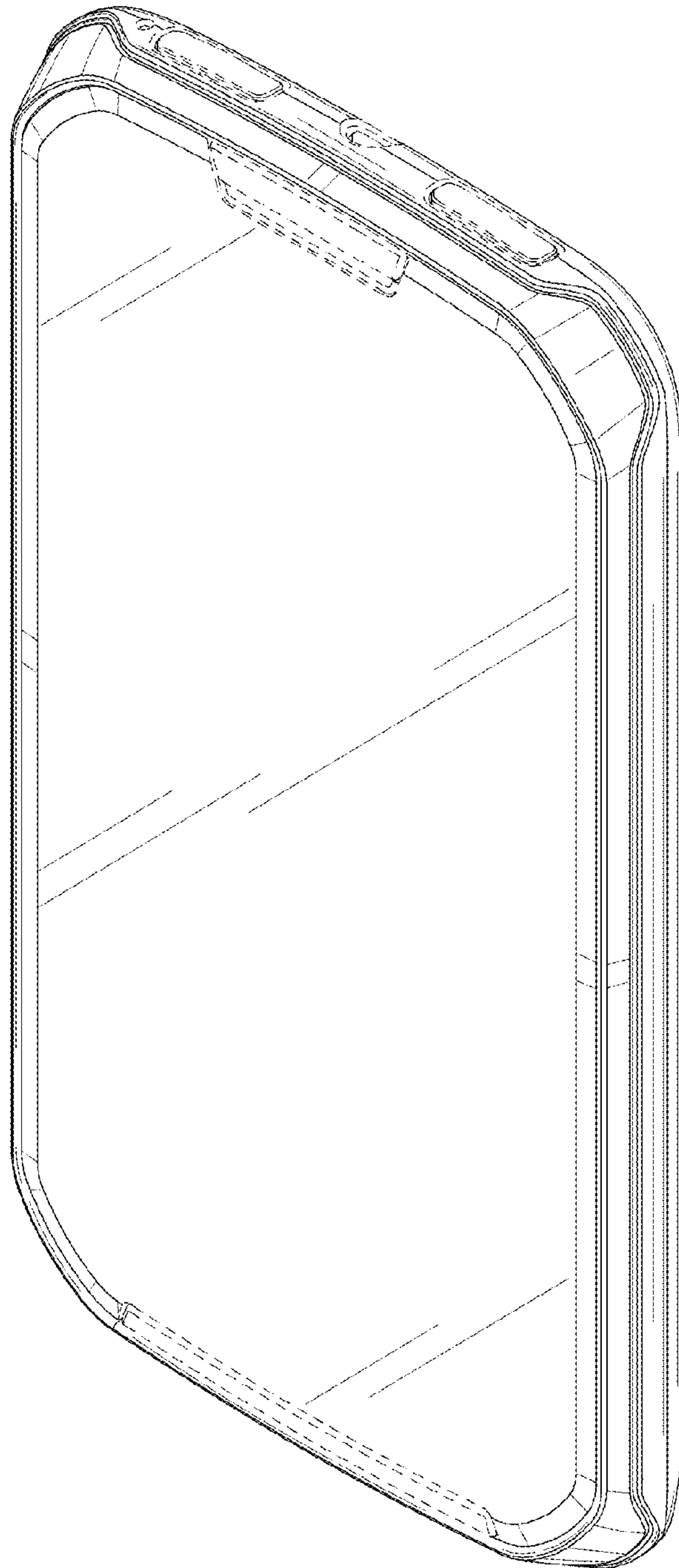


FIG. 1



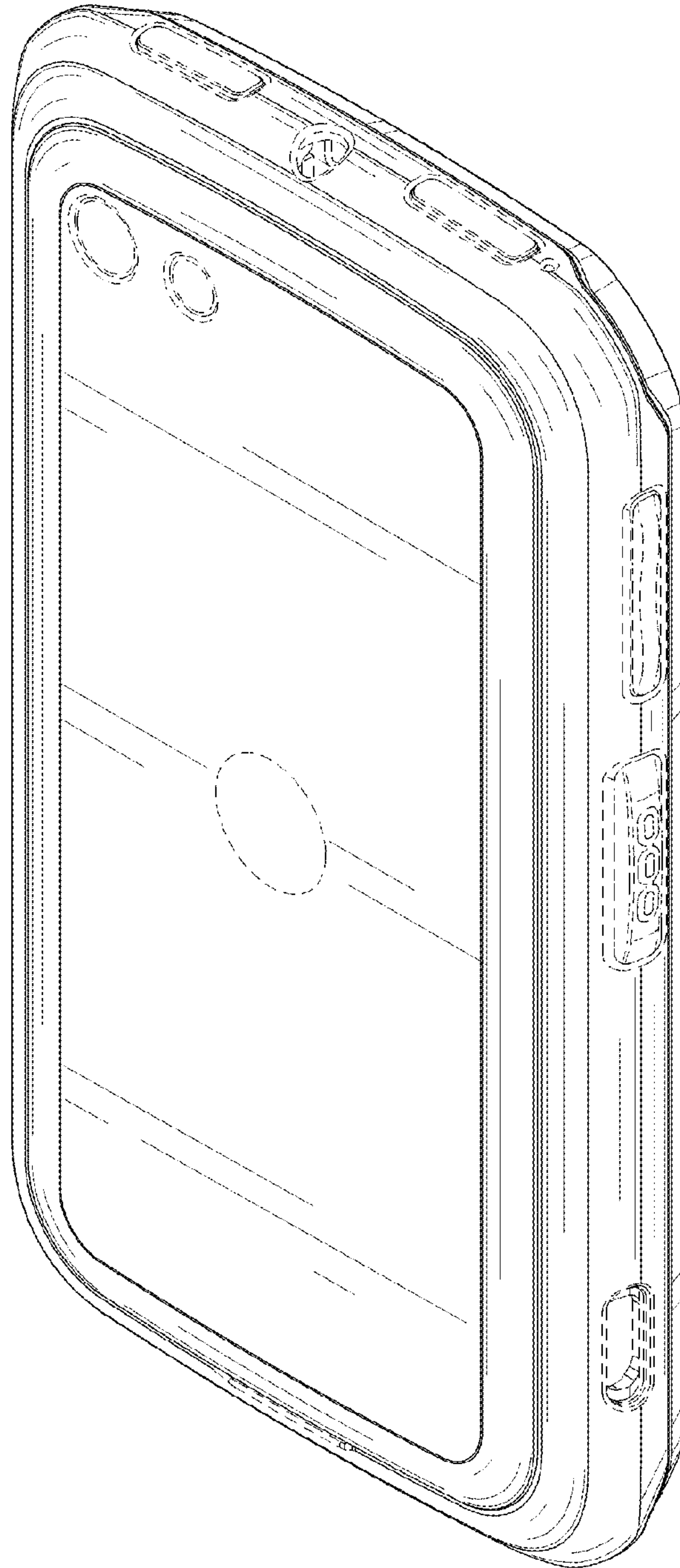


FIG. 2

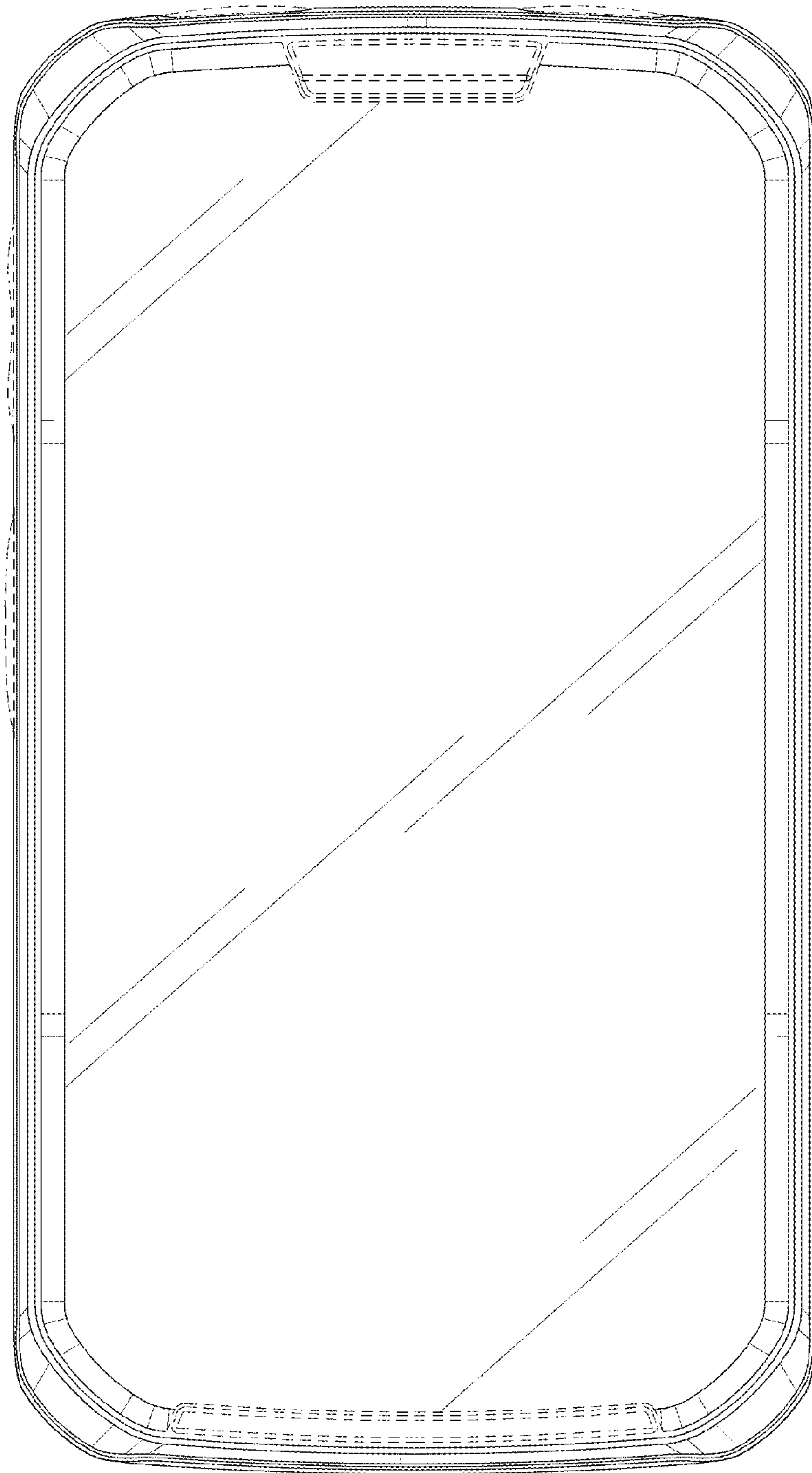


FIG. 3

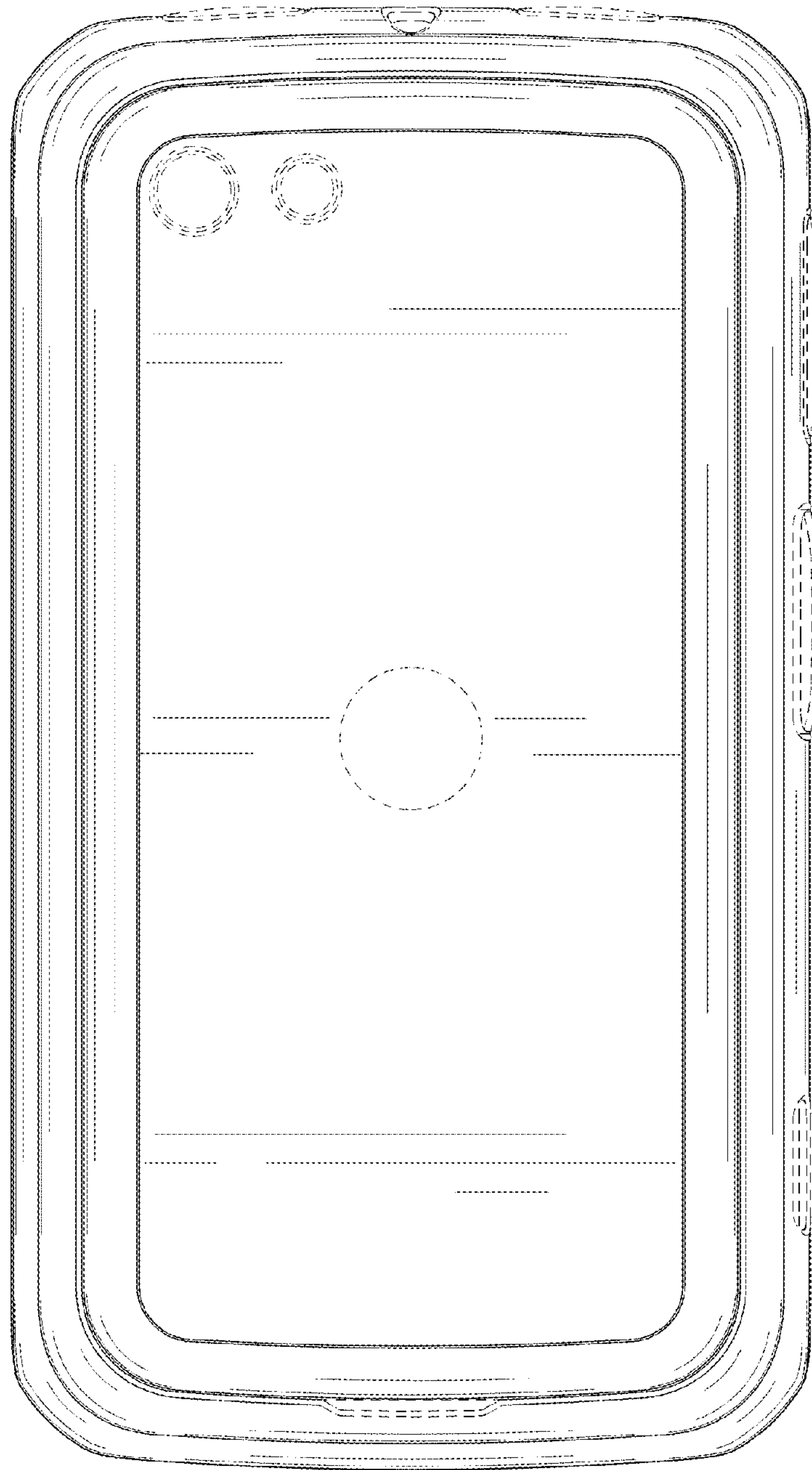


FIG. 4

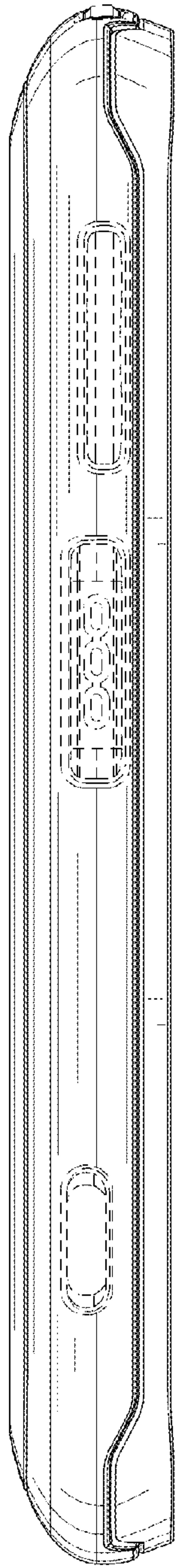


FIG. 5

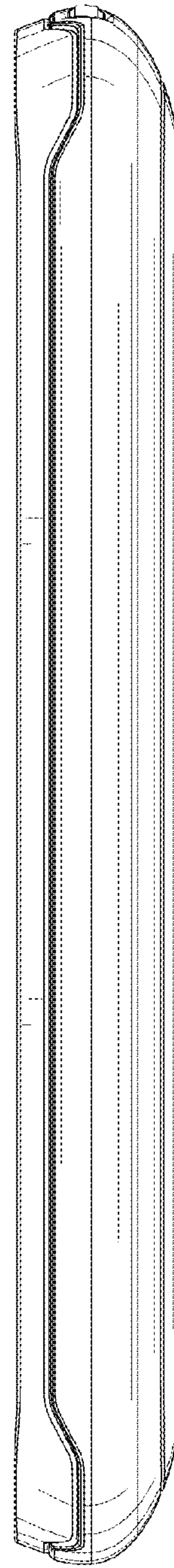


FIG. 6

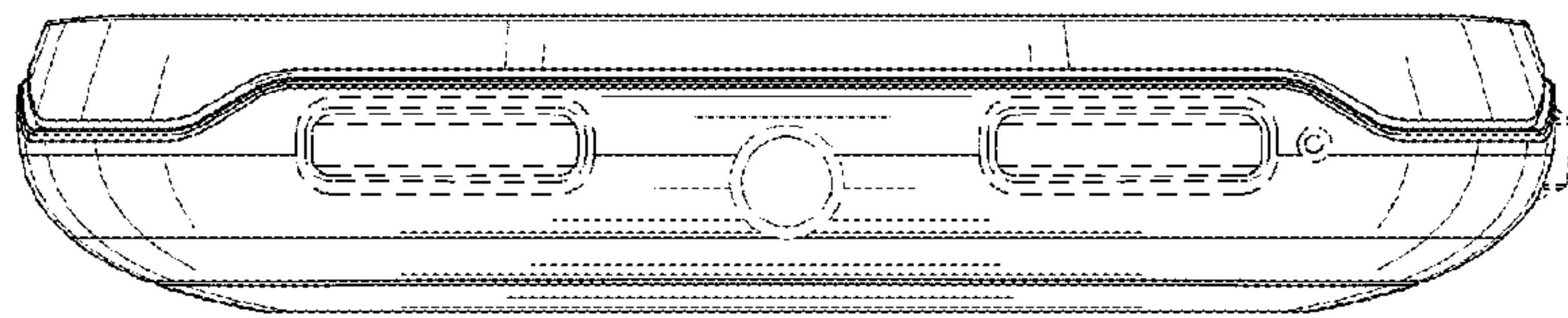


FIG. 7

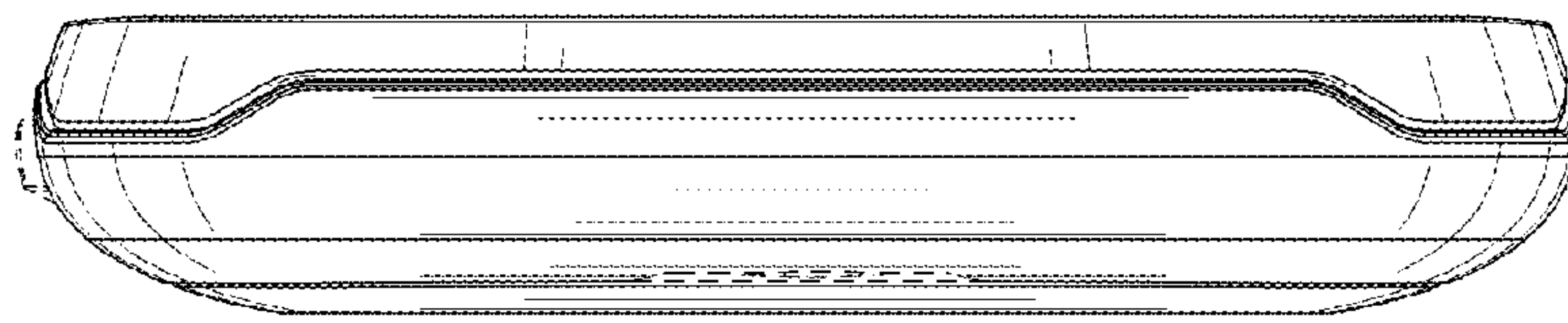


FIG. 8



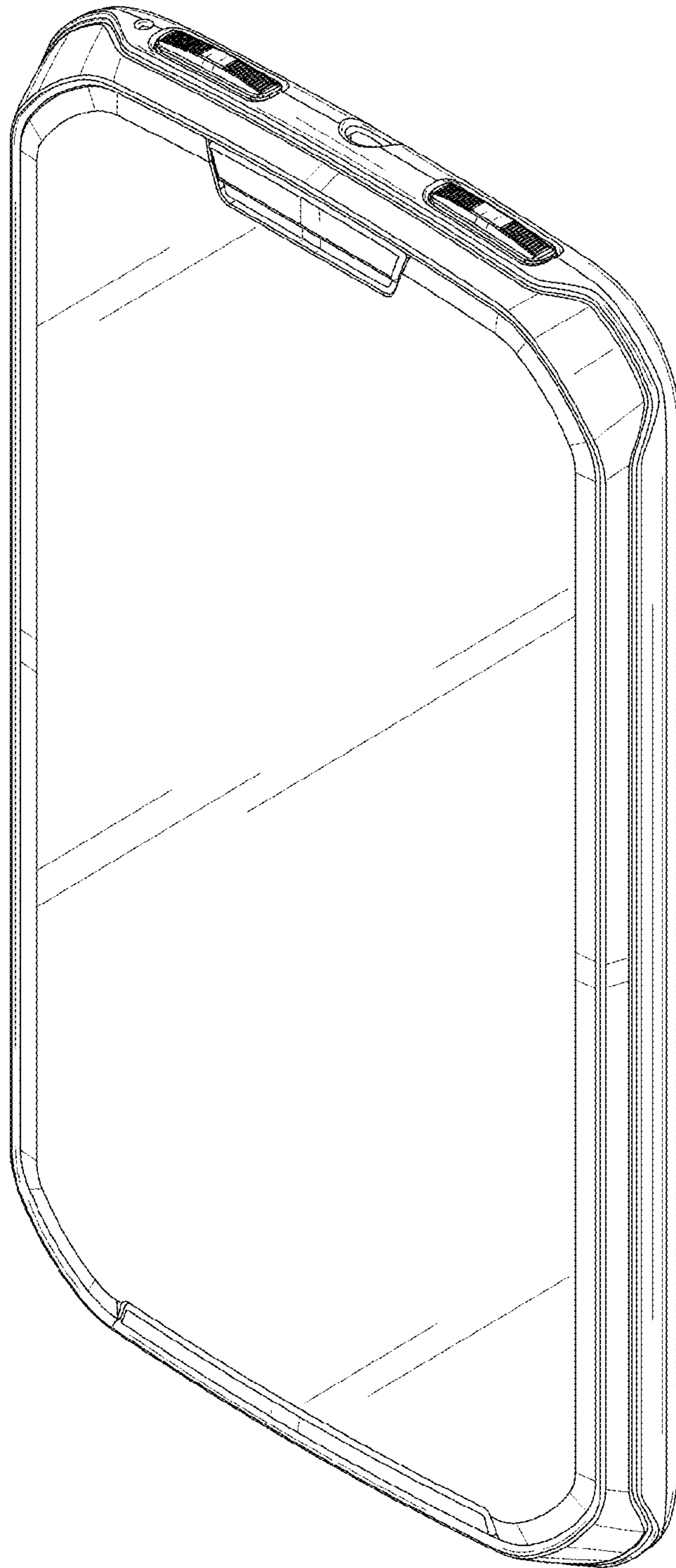


FIG. 9

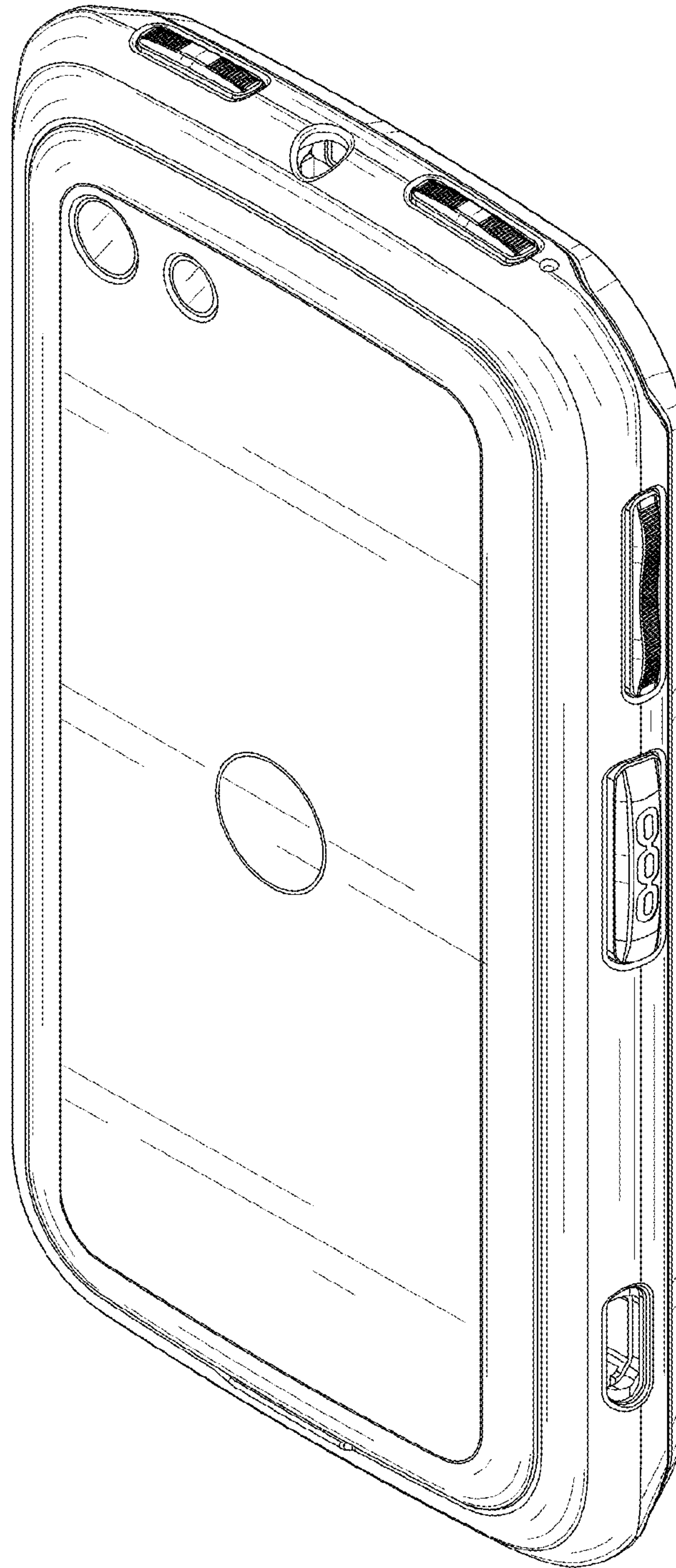


FIG. 10

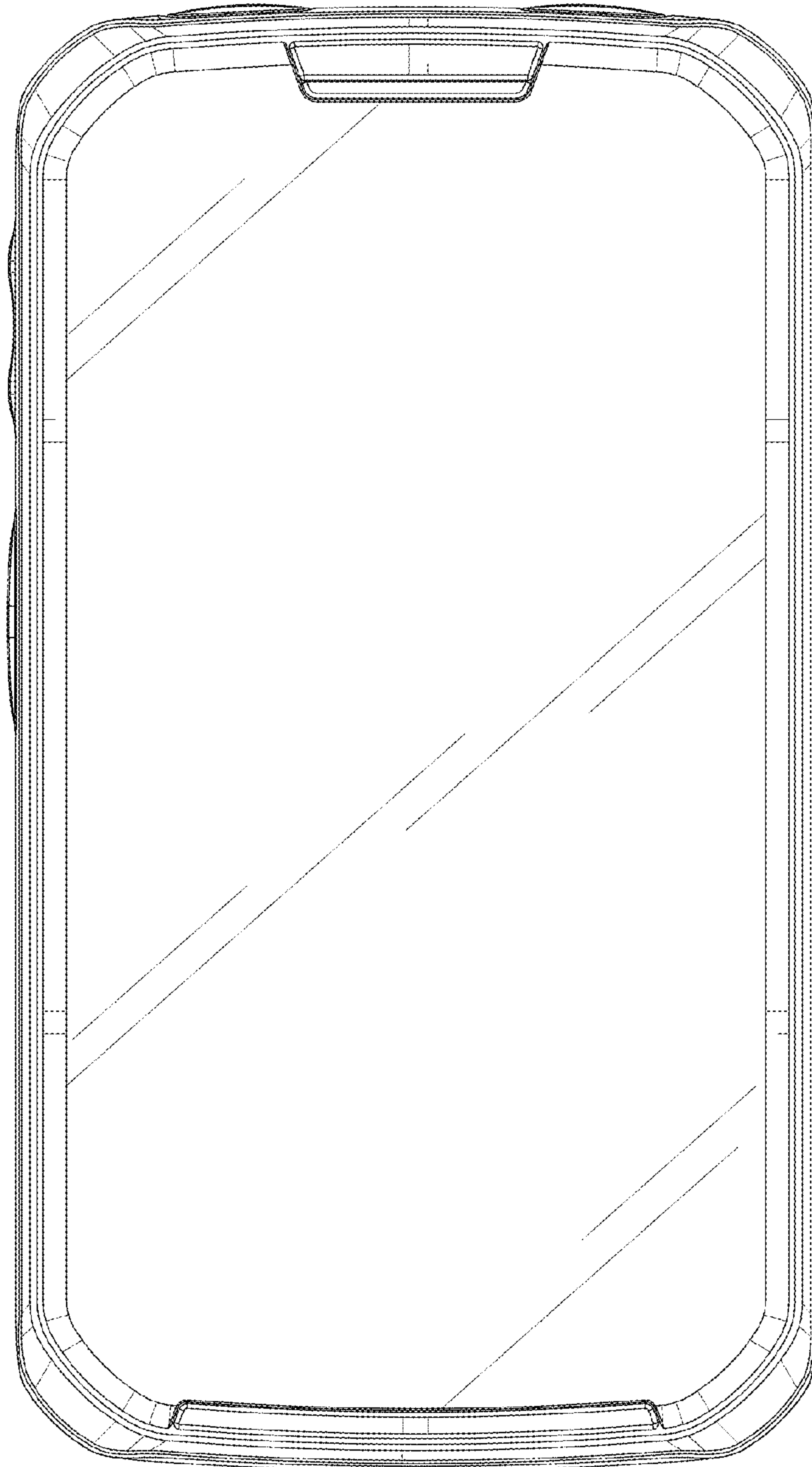


FIG. 11

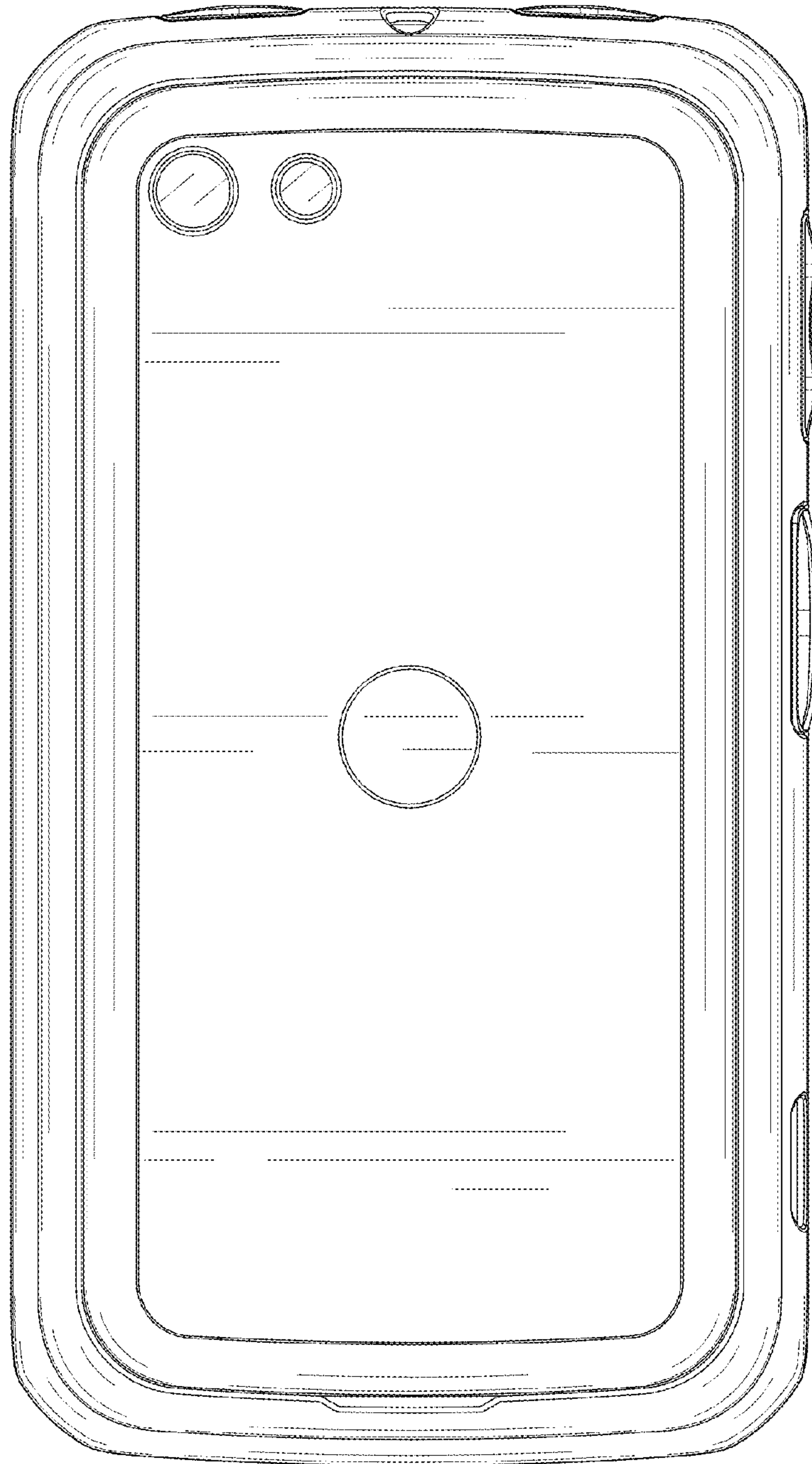


FIG. 12



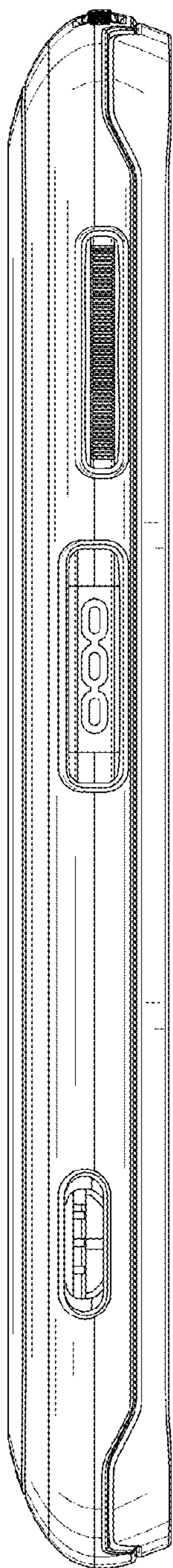


FIG. 13

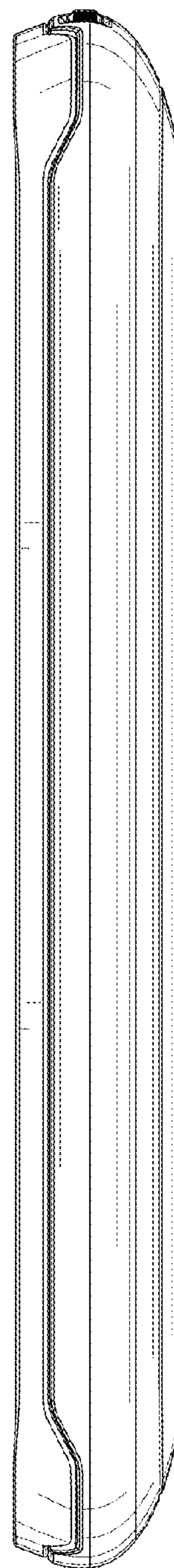


FIG. 14

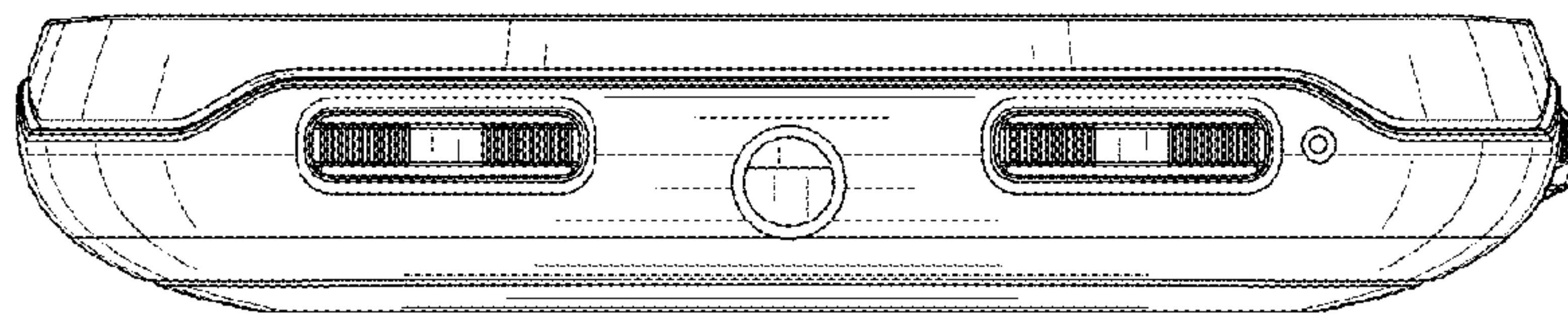


FIG. 15

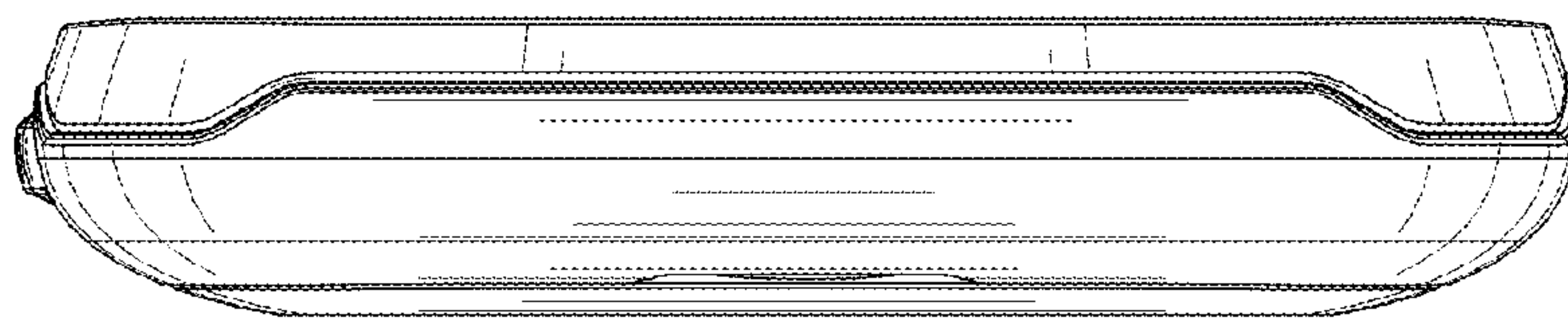


FIG. 16