



US00D705744S

(12) **United States Design Patent**
Porter et al.

(10) **Patent No.:** **US D705,744 S**

(45) **Date of Patent:** **** May 27, 2014**

(54) **CONTROLLER**

(71) Applicant: **Microsoft Corporation**, Redmond, WA (US)

(72) Inventors: **Austin Porter**, Seattle, WA (US);
Audrey C. Louchart, Seattle, WA (US);
Quintin R. Morris, Issaquah, WA (US)

(73) Assignee: **Microsoft Corporation**, Redmond, WA (US)

(**) Term: **14 Years**

(21) Appl. No.: **29/457,290**

(22) Filed: **Jun. 7, 2013**

(51) **LOC (10) Cl.** **13-03**

(52) **U.S. Cl.**
USPC **D13/177; D14/454**

(58) **Field of Classification Search**
USPC **D13/162, 164, 171, 173, 174, 177;**
D14/217, 299, 247, 390, 391, 392, 388,
D14/432, 433, 454, 455; D21/333; 200/5 R,
200/5 A, 5 E, 302.2, 520, 530, 293, 296,
200/314, 329, 341; 273/148 B; 307/139,
307/157; 345/156, 169, 184; 710/73

See application file for complete search history.

(56) **References Cited**

U.S. PATENT DOCUMENTS

| | | | | |
|----------------|---------|-----------------|-------|-----------|
| D186,944 S * | 12/1959 | Everett | | D13/174 |
| D301,873 S * | 6/1989 | Gutman | | D13/171 |
| 5,667,220 A * | 9/1997 | Cheng | | 273/148 B |
| D389,488 S * | 1/1998 | Williams et al. | | D14/247 |
| 5,786,807 A * | 7/1998 | Couch et al. | | 345/161 |
| 6,422,944 B1 * | 7/2002 | Naghi | | 463/47 |
| D463,381 S * | 9/2002 | Westermann | | D13/167 |
| D483,769 S | 12/2003 | Stewart et al. | | |
| D483,770 S | 12/2003 | Lum et al. | | |

| | | | | |
|-------------------|---------|------------------|-------|---------|
| D484,887 S | 1/2004 | Stewart et al. | | |
| D524,249 S * | 7/2006 | Chen | | D13/158 |
| D554,077 S * | 10/2007 | Laurent et al. | | D13/164 |
| D556,268 S * | 11/2007 | Luciano et al. | | D21/385 |
| D567,240 S * | 4/2008 | Griffin | | D14/392 |
| D570,356 S | 6/2008 | Ikeda et al. | | |
| D582,422 S | 12/2008 | Ikeda et al. | | |
| D582,423 S | 12/2008 | Ikeda et al. | | |
| D585,071 S | 1/2009 | Ikeda et al. | | |
| D620,014 S * | 7/2010 | Leung et al. | | D14/455 |
| D626,093 S * | 10/2010 | Bates | | D13/174 |
| D635,978 S * | 4/2011 | Chen | | D14/434 |
| 8,137,192 B2 * | 3/2012 | Thomas | | 463/31 |
| D694,715 S * | 12/2013 | Fichte et al. | | D13/162 |
| 2003/0100363 A1 * | 5/2003 | Ali | | 463/30 |
| 2006/0250371 A1 * | 11/2006 | Martinez et al. | | 345/168 |
| 2010/0261513 A1 * | 10/2010 | Izen et al. | | 463/7 |
| 2011/0108403 A1 * | 5/2011 | Kukita | | 200/341 |
| 2011/0124387 A1 * | 5/2011 | Sauerbrei et al. | | 463/7 |
| 2013/0313092 A1 * | 11/2013 | Inoue | | 200/341 |

* cited by examiner

Primary Examiner — Selina Sikder

(74) *Attorney, Agent, or Firm* — Banner & Witcoff, Ltd.

(57) **CLAIM**

The ornamental design for a controller, as shown and described.

DESCRIPTION

FIG. 1 is a top perspective view of a controller showing our new design;

FIG. 2 is a top view thereof;

FIG. 3 is a bottom view thereof;

FIG. 4 is a right side view thereof;

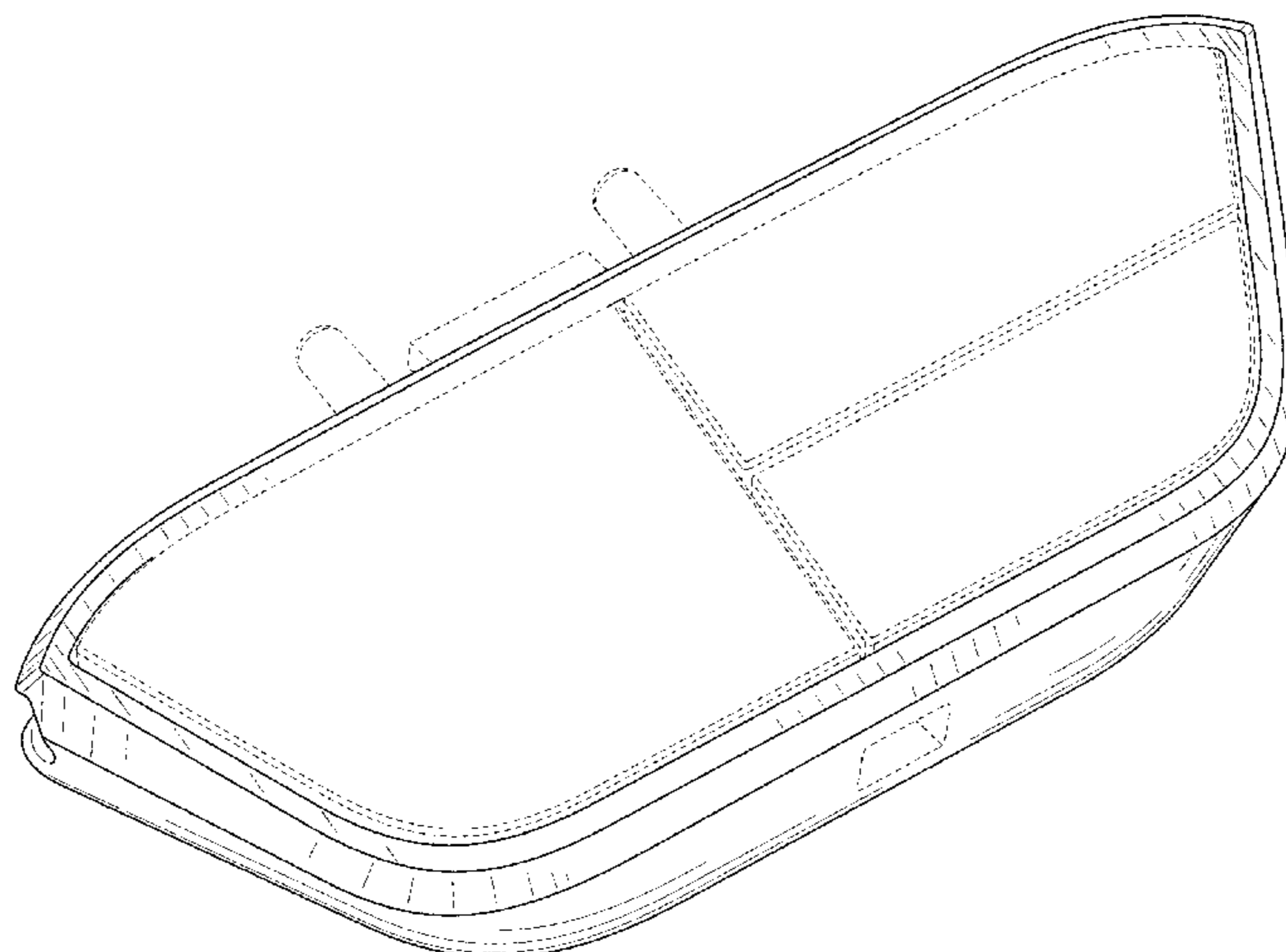
FIG. 5 is a left side view thereof;

FIG. 6 is a rear view thereof; and,

FIG. 7 is a front view thereof.

The broken line showing of various regions of the controller is for environmental purposes only and forms no part of the claimed design.

1 Claim, 6 Drawing Sheets



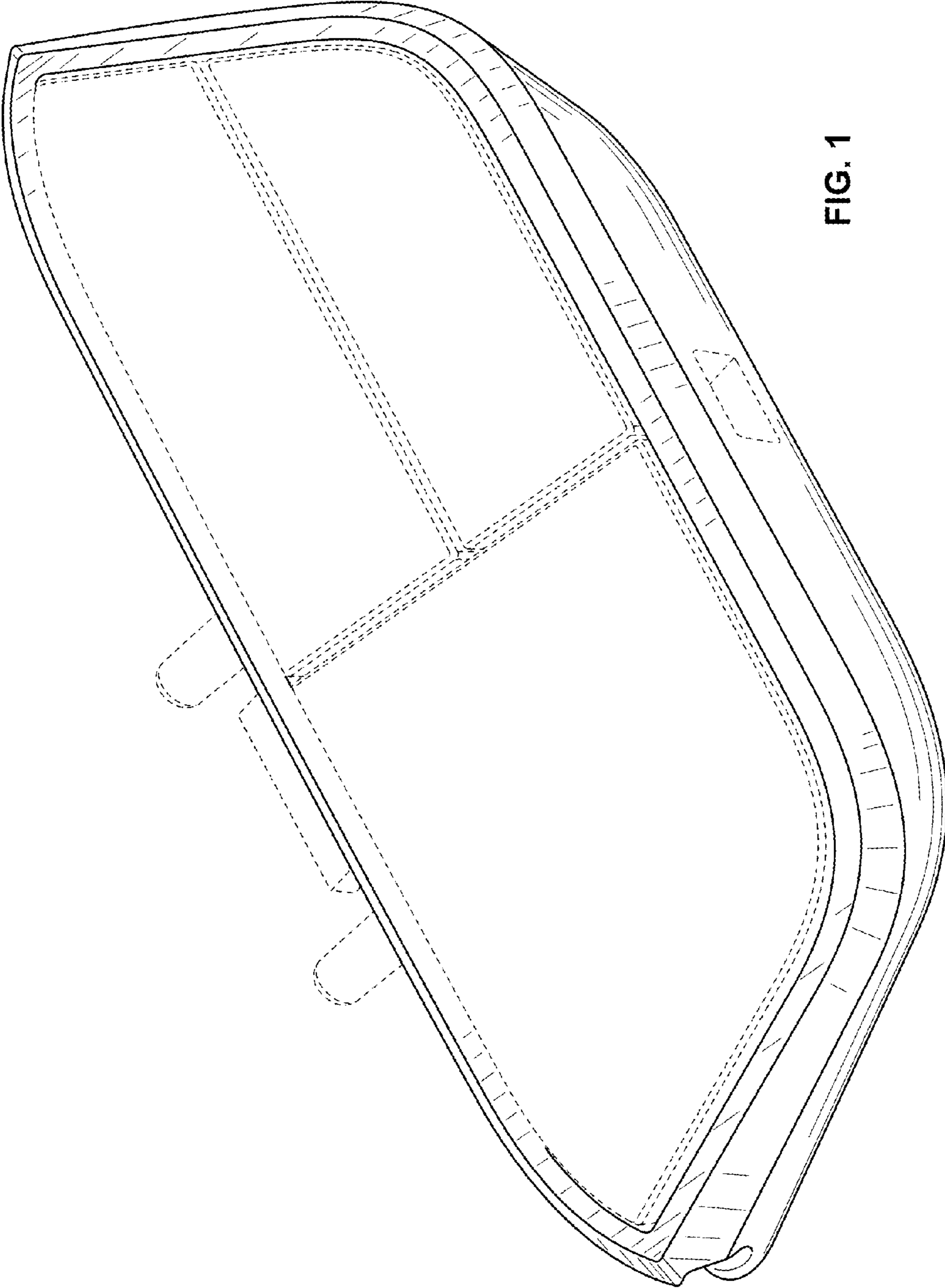


FIG. 1

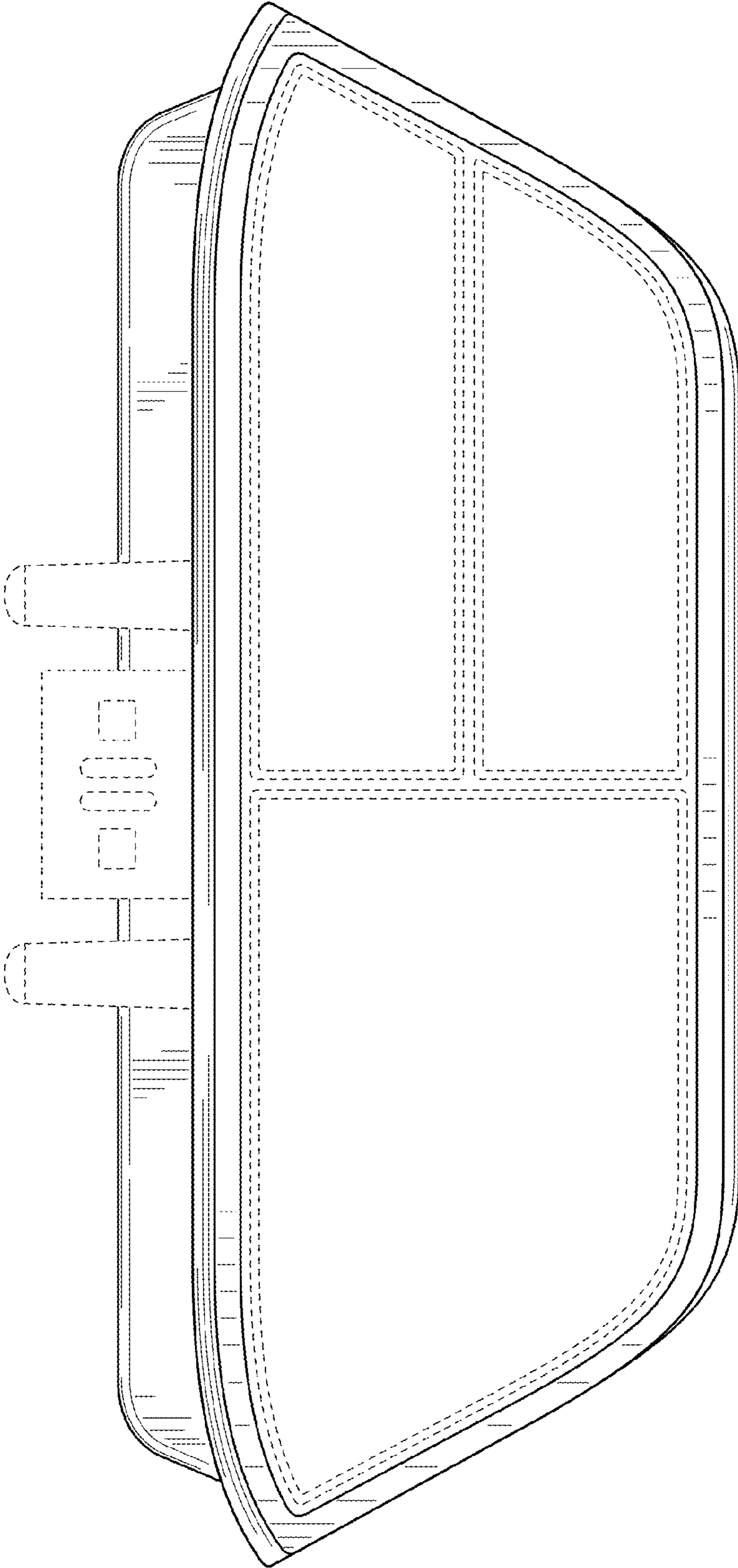


FIG. 2

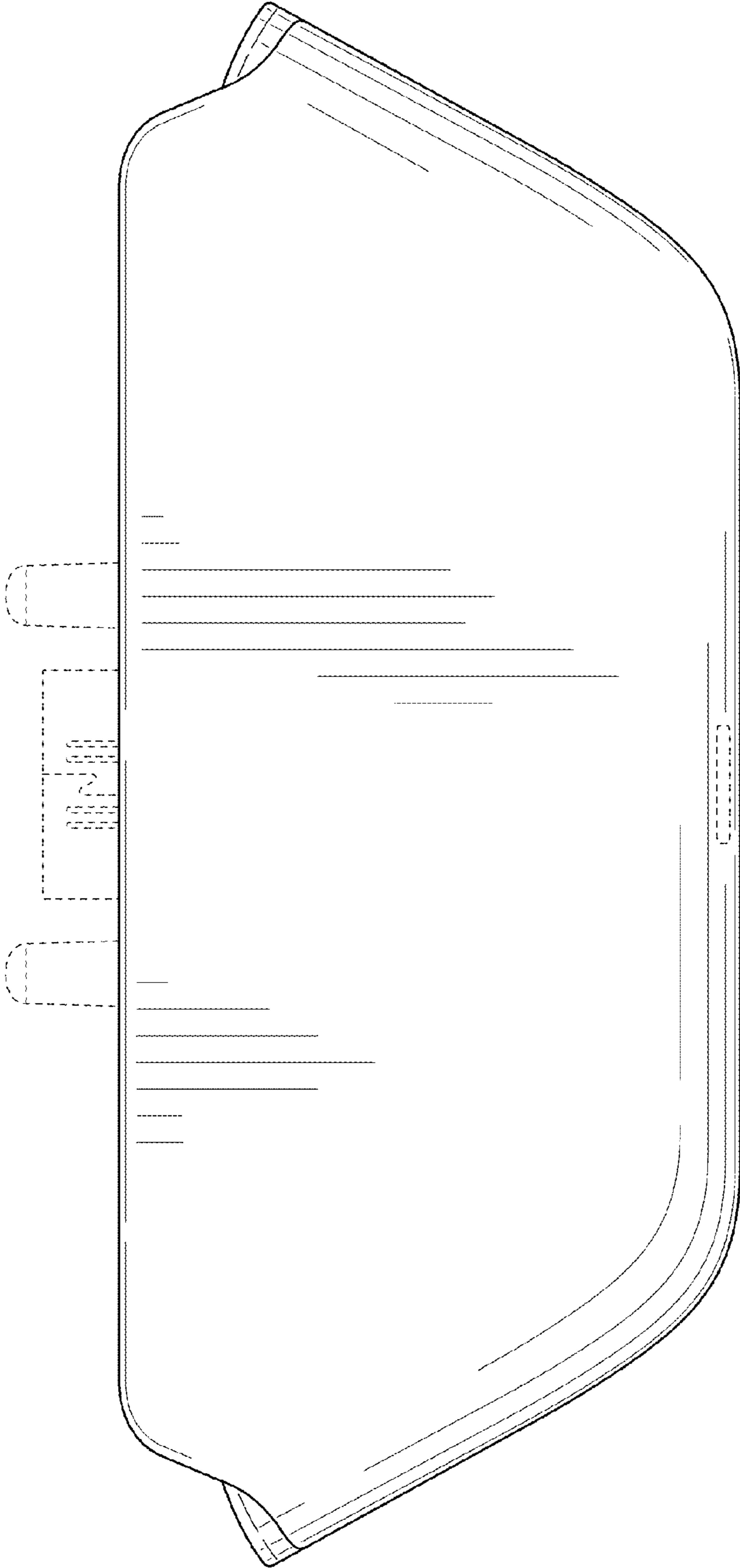


FIG. 3

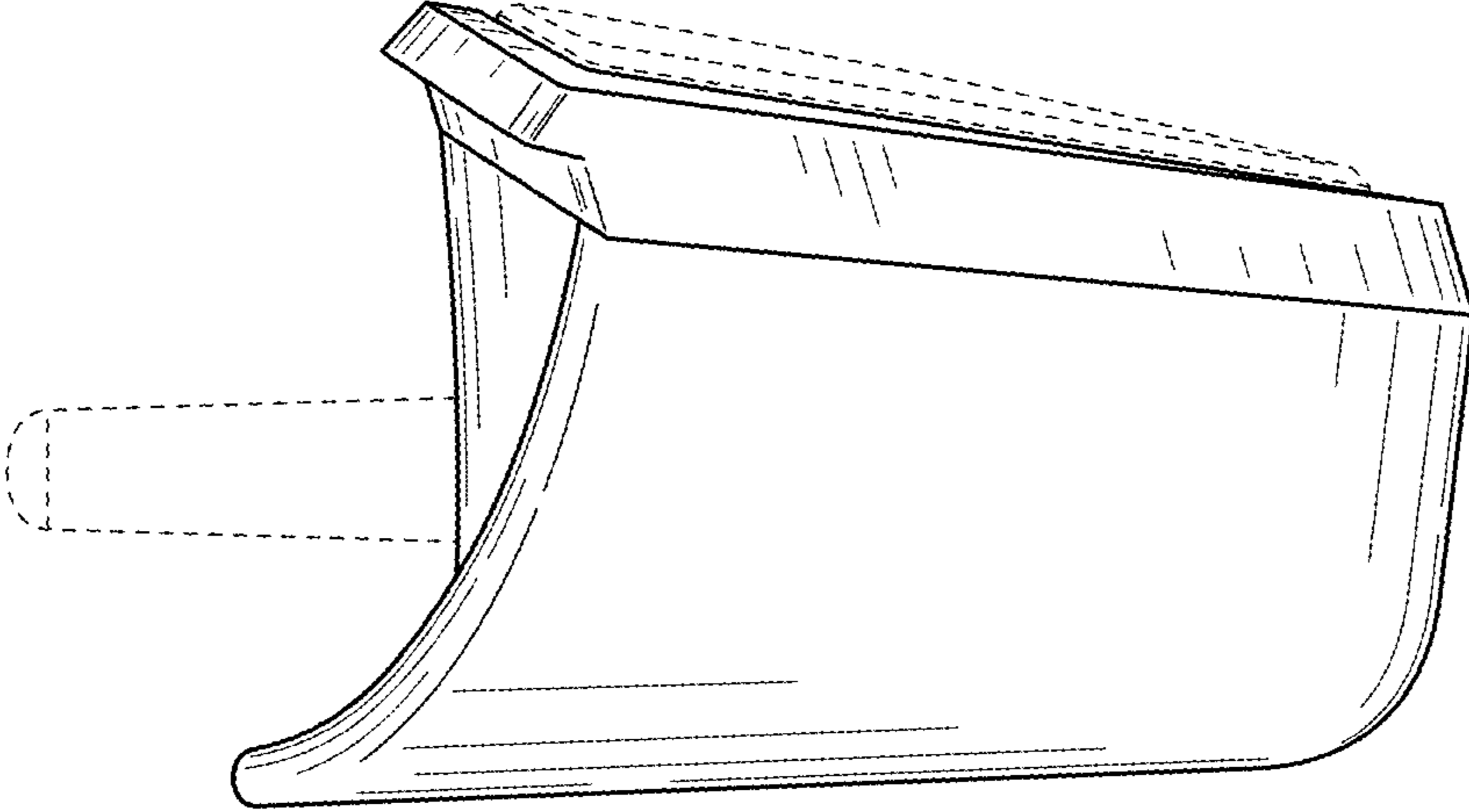


FIG. 5

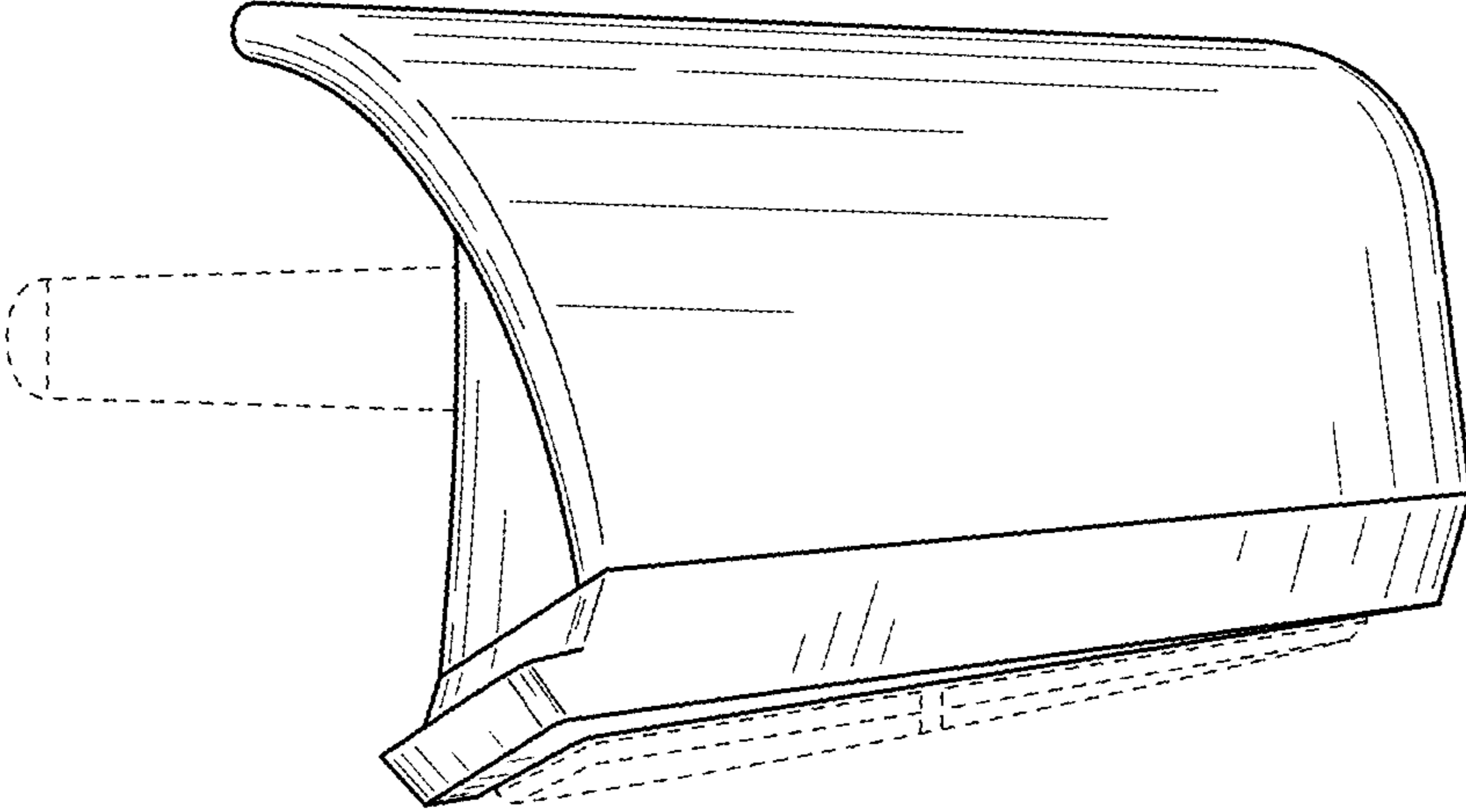


FIG. 4

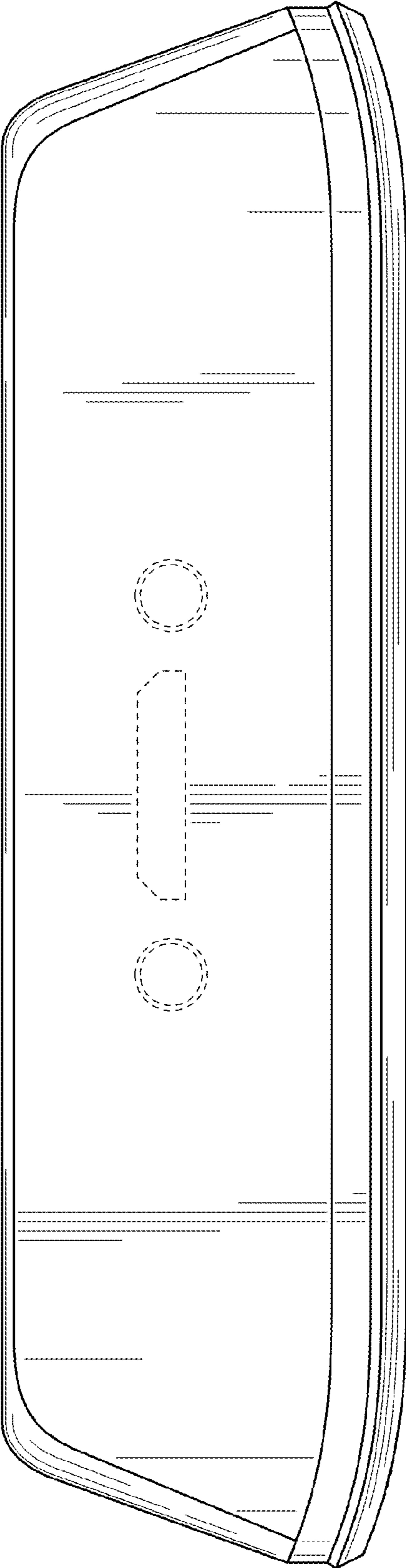


FIG. 6

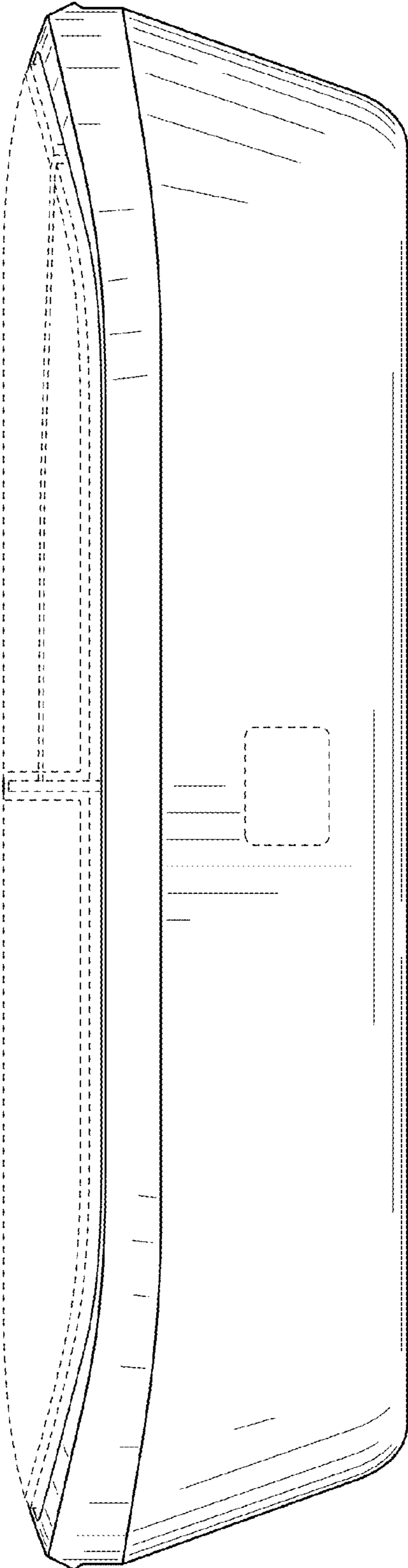


FIG. 7