



US00D705741S

(12) **United States Design Patent**  
**Porter et al.**

(10) **Patent No.:** **US D705,741 S**

(45) **Date of Patent:** **\*\* May 27, 2014**

(54) **CONTROLLER**

(71) Applicant: **Microsoft Corporation**, Redmond, WA (US)

(72) Inventors: **Austin Porter**, Seattle, WA (US);  
**Audrey C. Louchart**, Seattle, WA (US);  
**Quintin R. Morris**, Issaquah, WA (US)

(73) Assignee: **Microsoft Corporation**, Redmond, WA (US)

(\*\*) Term: **14 Years**

(21) Appl. No.: **29/457,289**

(22) Filed: **Jun. 7, 2013**

(51) **LOC (10) Cl.** ..... **13-03**

(52) **U.S. Cl.**  
USPC ..... **D13/162**; D14/454

(58) **Field of Classification Search**  
USPC ..... D13/162, 164, 171, 173, 174, 177;  
D14/217, 299, 247, 390, 391, 392, 388,  
D14/432, 433, 454, 455; D21/333; 200/5 R,  
200/5 A, 5 E, 302.2, 520, 530, 293, 296,  
200/314, 329, 341; 273/148 B; 307/139,  
307/157; 345/156, 169, 184; 710/73

See application file for complete search history.

(56) **References Cited**

**U.S. PATENT DOCUMENTS**

D186,944 S *	12/1959	Everett	.....	D13/174
D301,873 S *	6/1989	Gutman	.....	D13/171
5,667,220 A *	9/1997	Cheng	.....	273/148 B
D389,488 S *	1/1998	Williams et al.	.....	D14/247
5,786,807 A *	7/1998	Couch et al.	.....	345/161
6,422,944 B1 *	7/2002	Naghi	.....	463/47
D463,381 S *	9/2002	Westermann	.....	D13/167
D483,769 S	12/2003	Stewart et al.		
D483,770 S	12/2003	Lum et al.		

D484,887 S	1/2004	Stewart et al.		
D524,249 S *	7/2006	Chen	.....	D13/158
D554,077 S *	10/2007	Laurent et al.	.....	D13/164
D556,268 S *	11/2007	Luciano et al.	.....	D21/385
D567,240 S *	4/2008	Griffin	.....	D14/392
D570,356 S	6/2008	Ikeda et al.		
D582,422 S	12/2008	Ikeda et al.		
D582,423 S	12/2008	Ikeda et al.		
D585,071 S	1/2009	Ikeda et al.		
D620,014 S *	7/2010	Leung et al.	.....	D14/455
D626,093 S *	10/2010	Bates	.....	D13/174
D635,978 S *	4/2011	Chen	.....	D14/434
8,137,192 B2 *	3/2012	Thomas	.....	463/31
D694,715 S *	12/2013	Fichte et al.	.....	D13/162
2003/0100363 A1 *	5/2003	Ali	.....	463/30
2006/0250371 A1 *	11/2006	Martinez et al.	.....	345/168
2010/0261513 A1 *	10/2010	Izen et al.	.....	463/7
2011/0108403 A1 *	5/2011	Kukita	.....	200/341
2011/0124387 A1 *	5/2011	Sauerbrei et al.	.....	463/7
2013/0313092 A1 *	11/2013	Inoue	.....	200/341

\* cited by examiner

*Primary Examiner* — Selina Sikder

(74) *Attorney, Agent, or Firm* — Banner & Witcoff, Ltd.

(57) **CLAIM**

The ornamental design for a controller, as shown and described.

**DESCRIPTION**

FIG. 1 is a top perspective view of a controller showing our new design;

FIG. 2 is a top view thereof;

FIG. 3 is a bottom view thereof;

FIG. 4 is a right side view thereof;

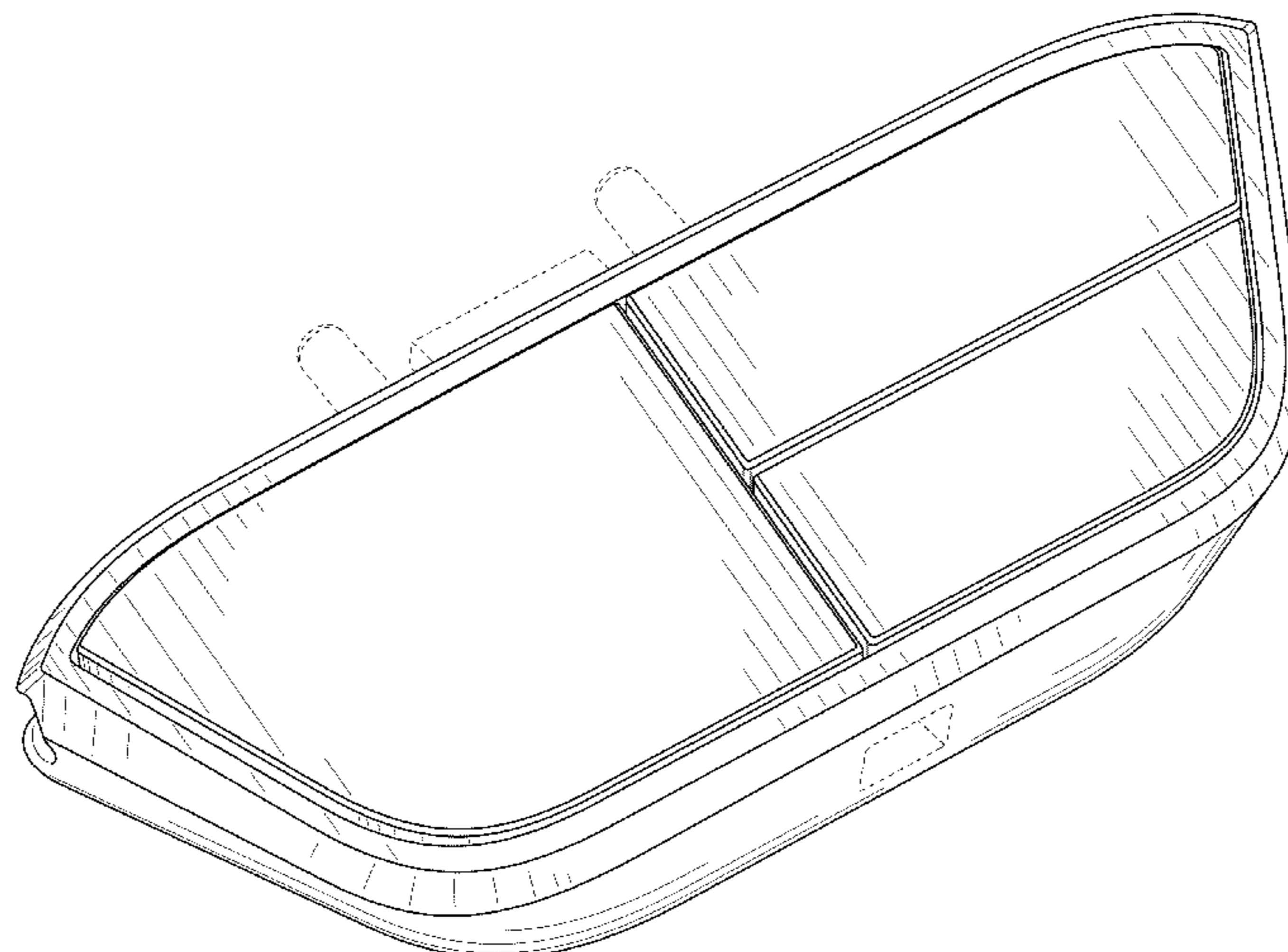
FIG. 5 is a left side view thereof;

FIG. 6 is a rear view thereof; and,

FIG. 7 is a front view thereof.

The broken line showing of various regions of the controller in FIGS. 1-7 is for environmental purposes only and forms no part of the claimed design.

**1 Claim, 6 Drawing Sheets**



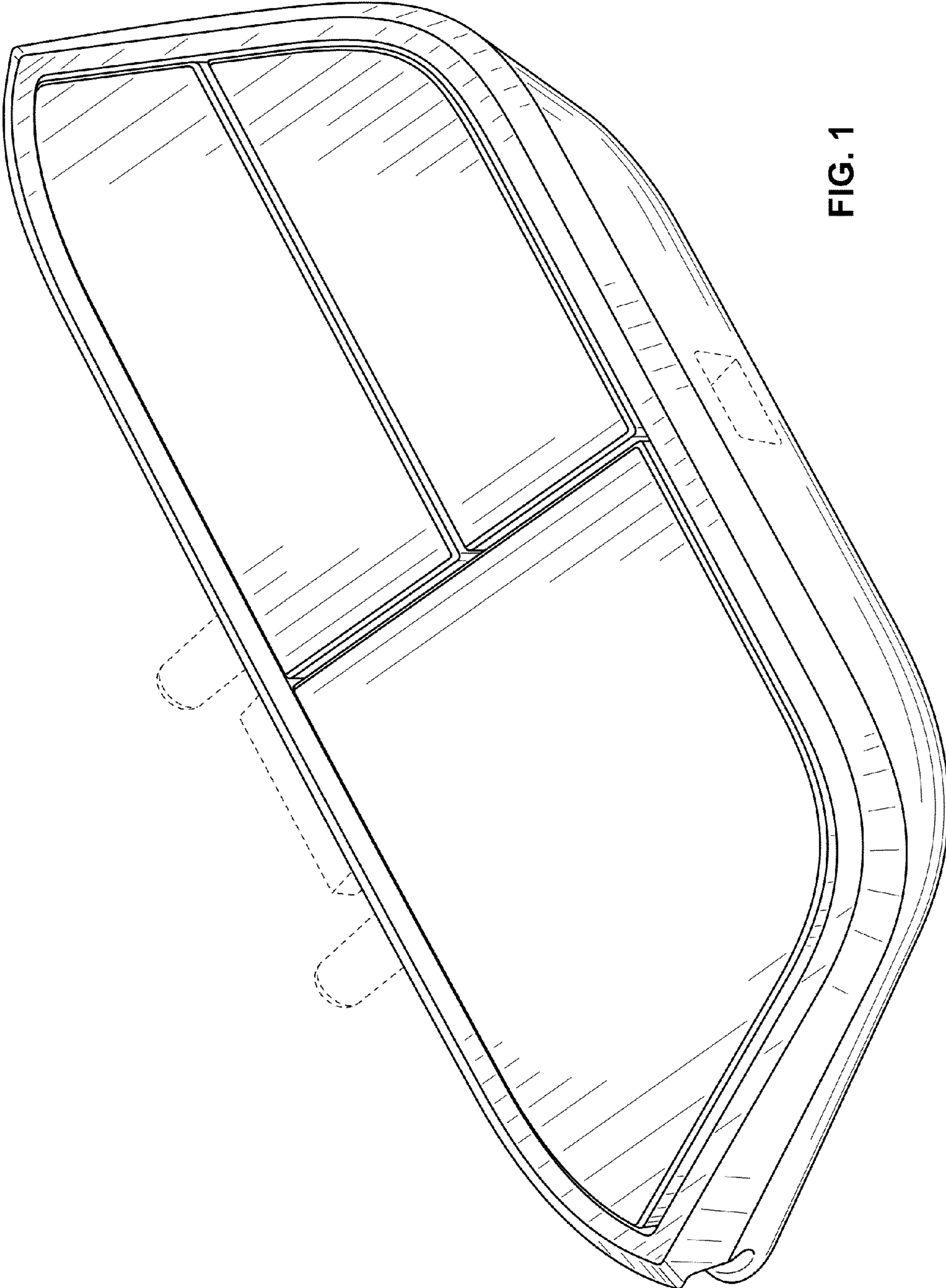


FIG. 1

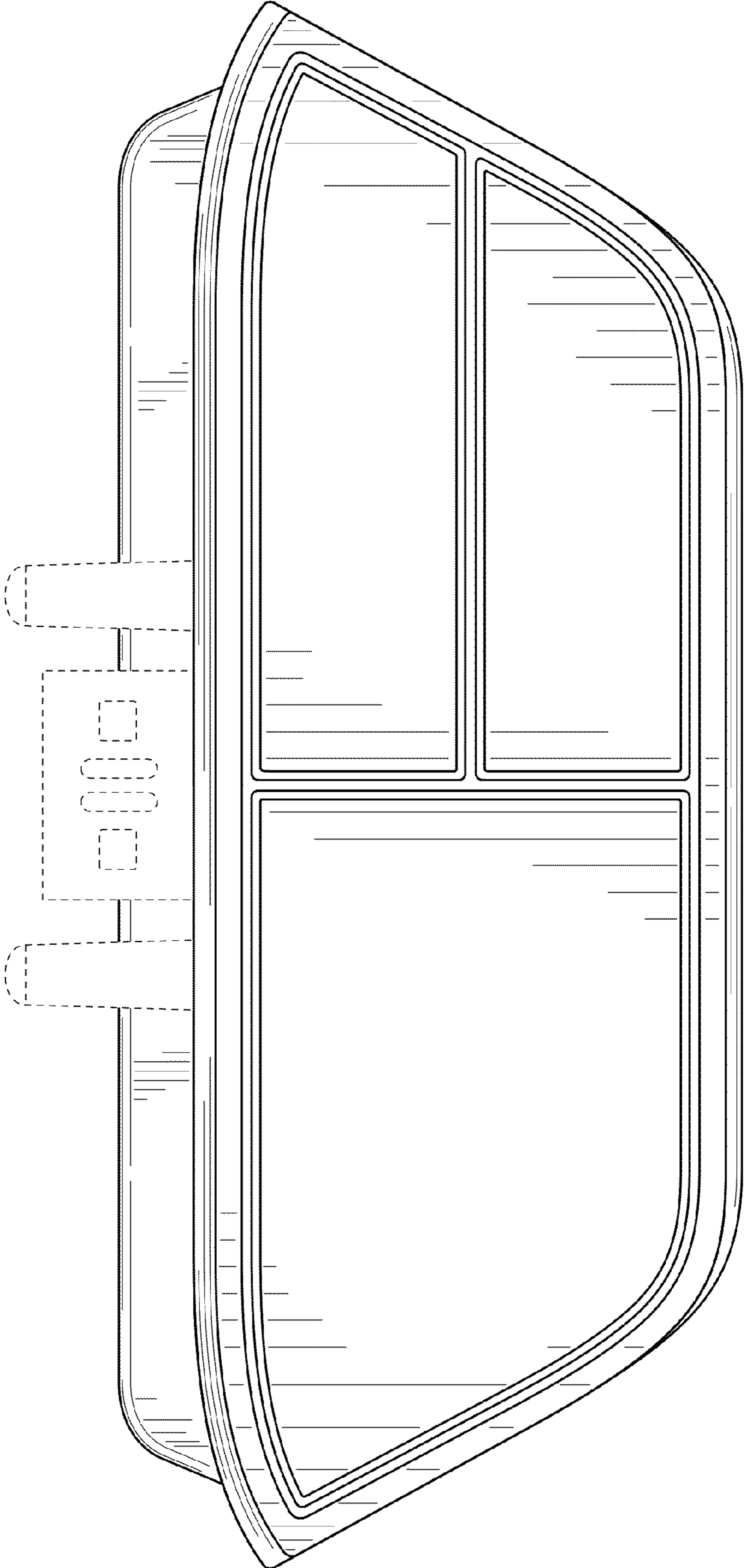


FIG. 2



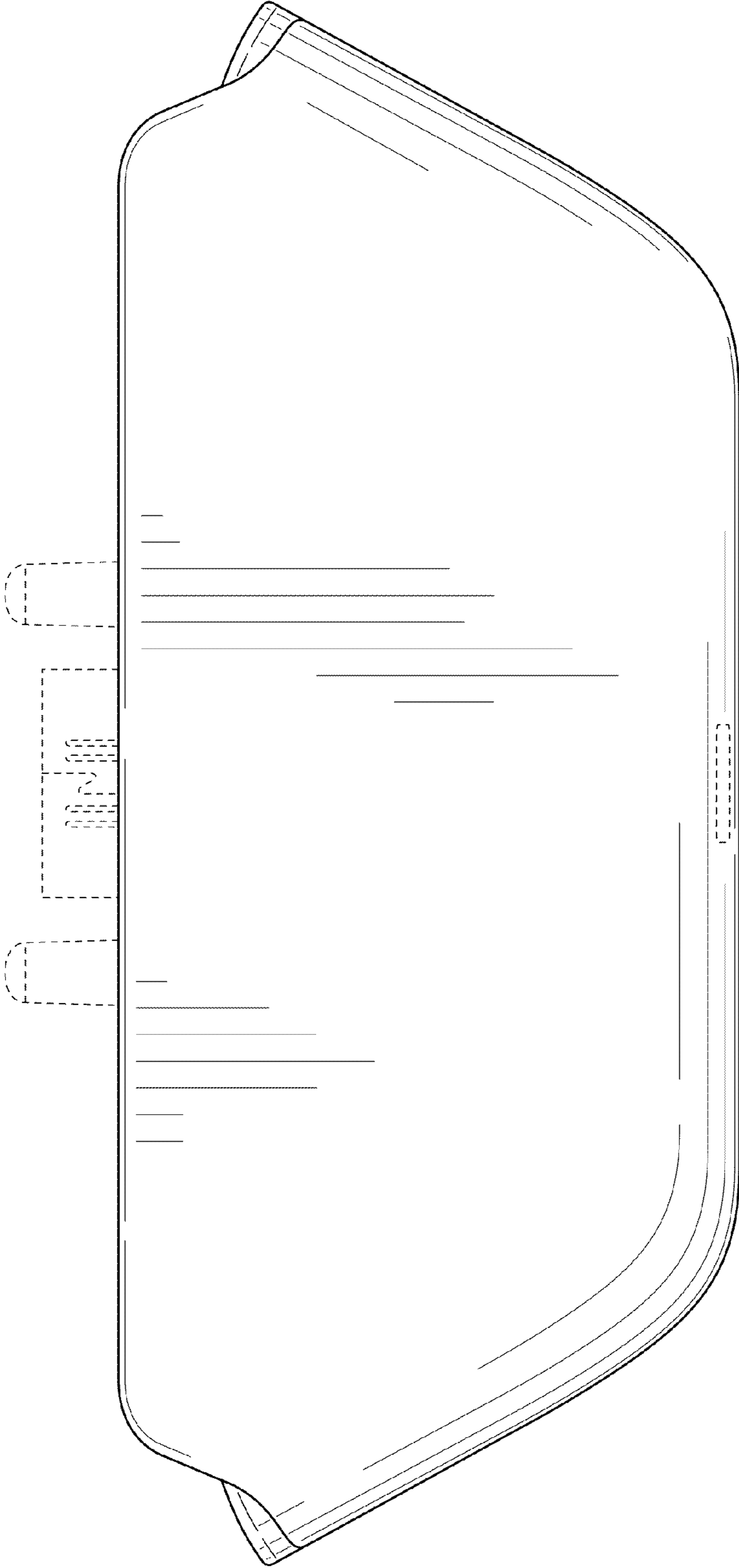


FIG. 3

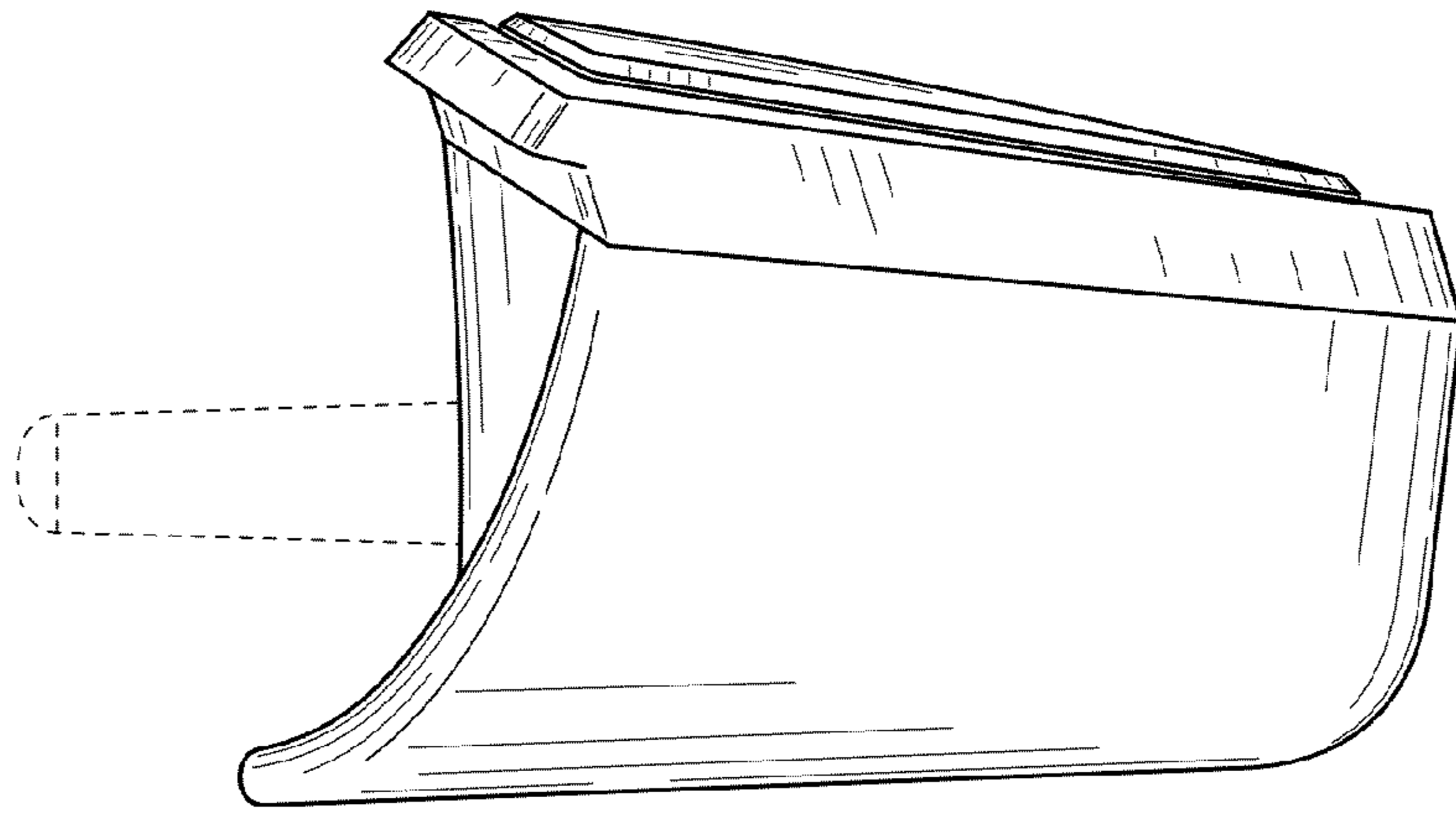


FIG. 5

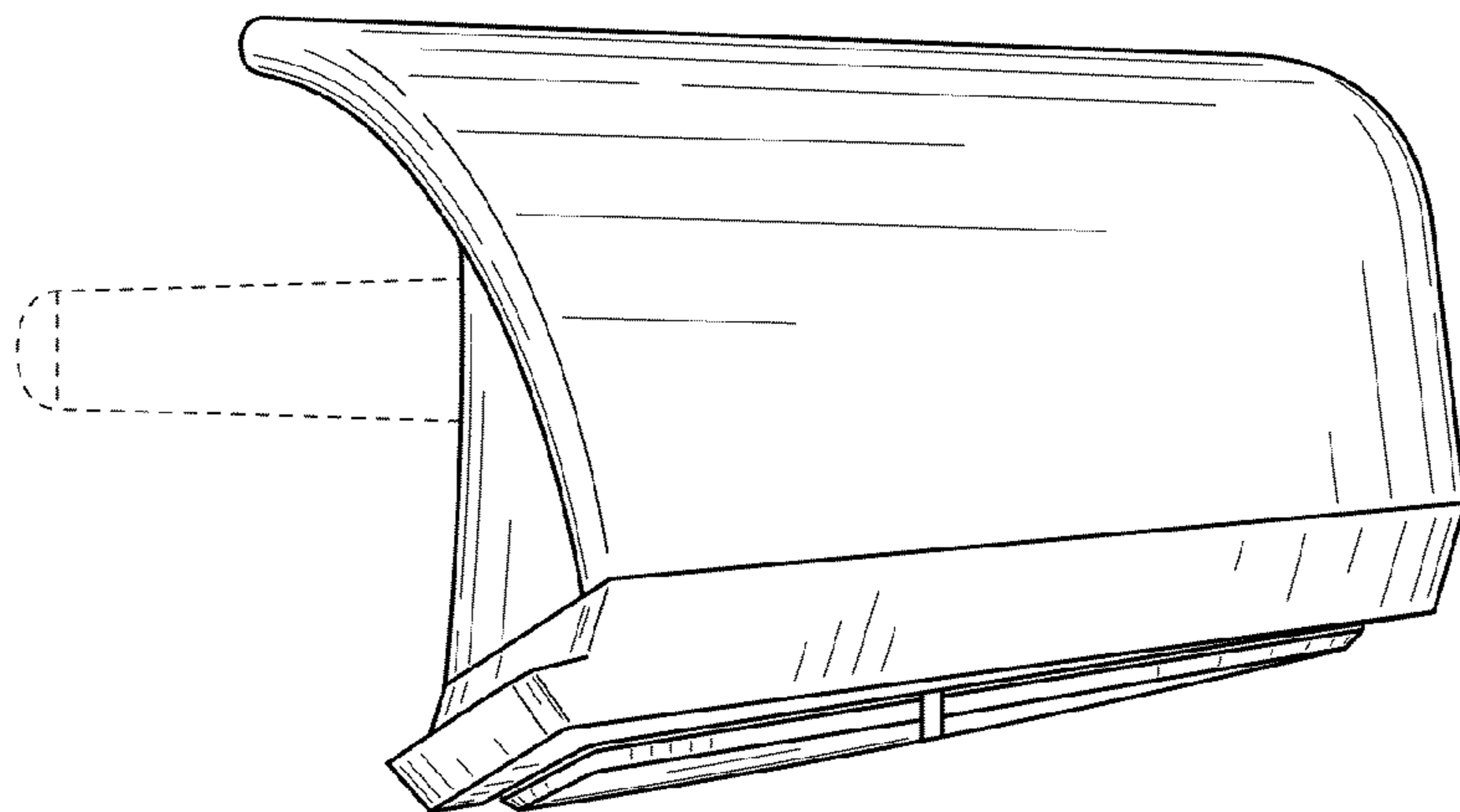


FIG. 4

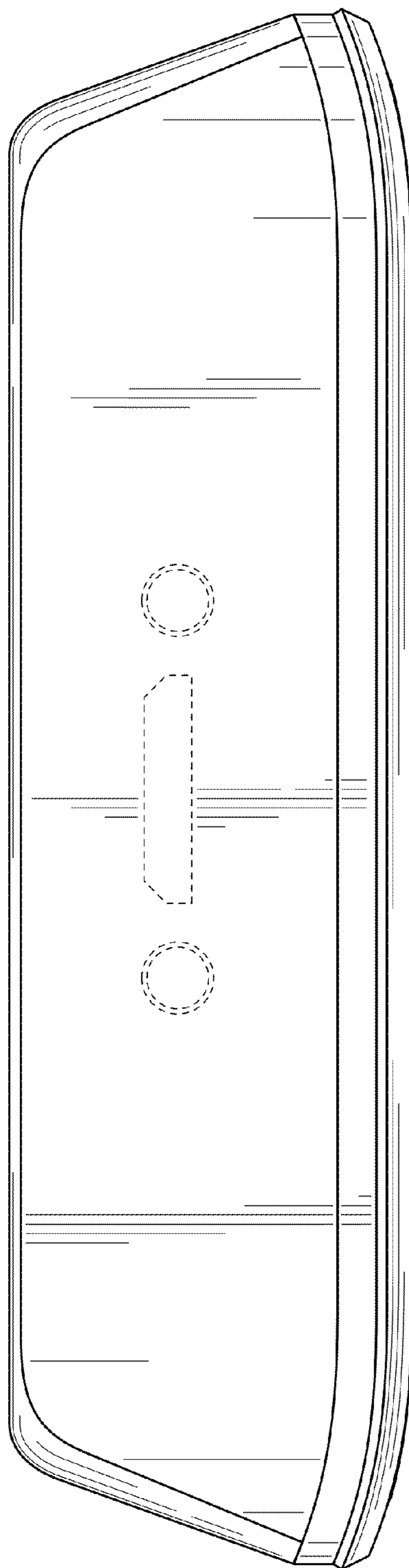


FIG. 6

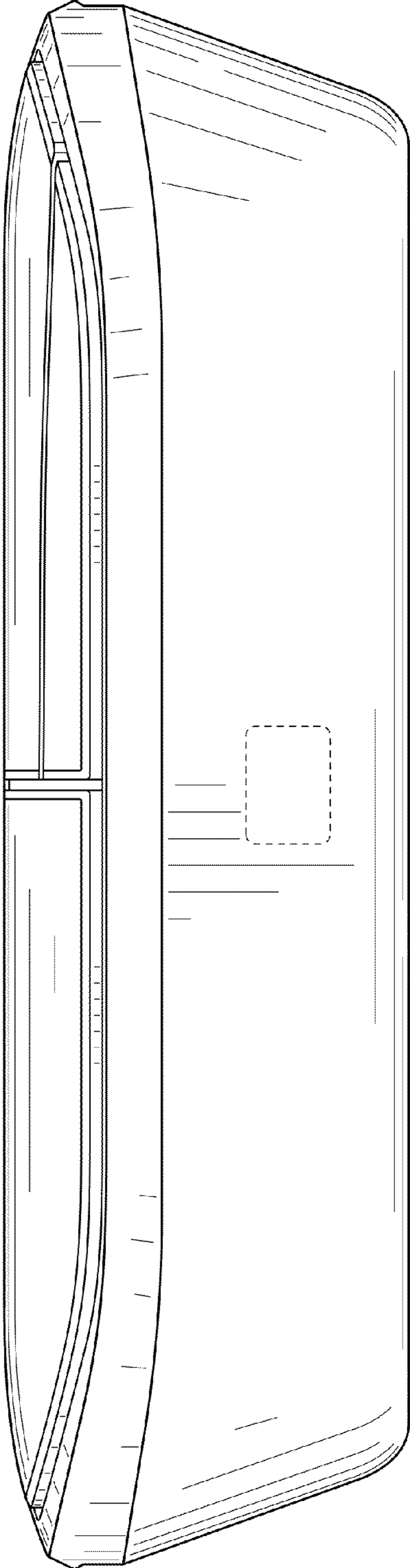


FIG. 7